



US00D796853S

(12) **United States Design Patent** (10) **Patent No.:** **US D796,853 S**  
**Bassan** (45) **Date of Patent:** **\*\* Sep. 12, 2017**

(54) **BABY BOUNCER SEAT**  
(71) Applicant: **ARTSANA S.P.A.**, Grandate (CO) (IT)  
(72) Inventor: **Matteo Bassan**, Masera'di Padova (IT)  
(73) Assignee: **ARTSANA S.P.A.**, Grandate (IT)  
(\*\*) Term: **15 Years**  
(21) Appl. No.: **29/557,357**  
(22) Filed: **Mar. 8, 2016**

(30) **Foreign Application Priority Data**  
Sep. 9, 2015 (EM) ..... 002768846  
(51) **LOC (10) Cl.** ..... **06-01**  
(52) **U.S. Cl.**  
USPC ..... **D6/333**  
(58) **Field of Classification Search**  
USPC ..... D6/333-335, 344, 339, 702, 716,  
D6/716.1-716.7; 4/572.1, 571.1, 578.1,  
4/586, 590; 297/183.1-183.4, 184.13,  
297/184.17, 256.1, 467, 487, 488, 445.1;  
D21/419, 412; 5/94, 98.2, 103-104, 93.1,  
5/99.1, 101, 98.1, 12.1; D12/129-130;  
280/30-31  
CPC ..... A47C 3/029; A47C 3/025; A47C 3/021;  
A47C 3/0252  
See application file for complete search history.

(56) **References Cited**  
U.S. PATENT DOCUMENTS  
D282,791 S \* 3/1986 Lockett, III ..... D6/333  
D321,599 S \* 11/1991 Takahashi ..... D6/333  
D337,894 S \* 8/1993 Mariol ..... D6/333  
D440,412 S \* 4/2001 Huang ..... D6/333

D447,879 S \* 9/2001 Hsia ..... D6/333  
D478,220 S \* 8/2003 Chang ..... D6/333  
D560,374 S \* 1/2008 Bergkvist ..... D6/333  
D648,144 S \* 11/2011 Oren ..... D6/344  
D720,938 S \* 1/2015 Gerspach ..... D6/348  
D737,584 S \* 9/2015 Marcuello ..... D6/333  
D751,305 S \* 3/2016 Robbins ..... D6/333  
D772,587 S \* 11/2016 Micol ..... D6/333

\* cited by examiner  
*Primary Examiner* — Abraham Bahta  
(74) *Attorney, Agent, or Firm* — Pearne & Gordon LLP

(57) **CLAIM**  
The ornamental design for a baby bouncer seat, as shown and described.

**DESCRIPTION**  
FIG. 1 is a front-left perspective view of a baby bouncer seat, showing my new design;  
FIG. 2 is a front view thereof;  
FIG. 3 is a back view thereof;  
FIG. 4 is a left side view thereof;  
FIG. 5 is a right side view thereof;  
FIG. 6 is a top view thereof; and,  
FIG. 7 is a bottom view thereof.

**1 Claim, 7 Drawing Sheets**



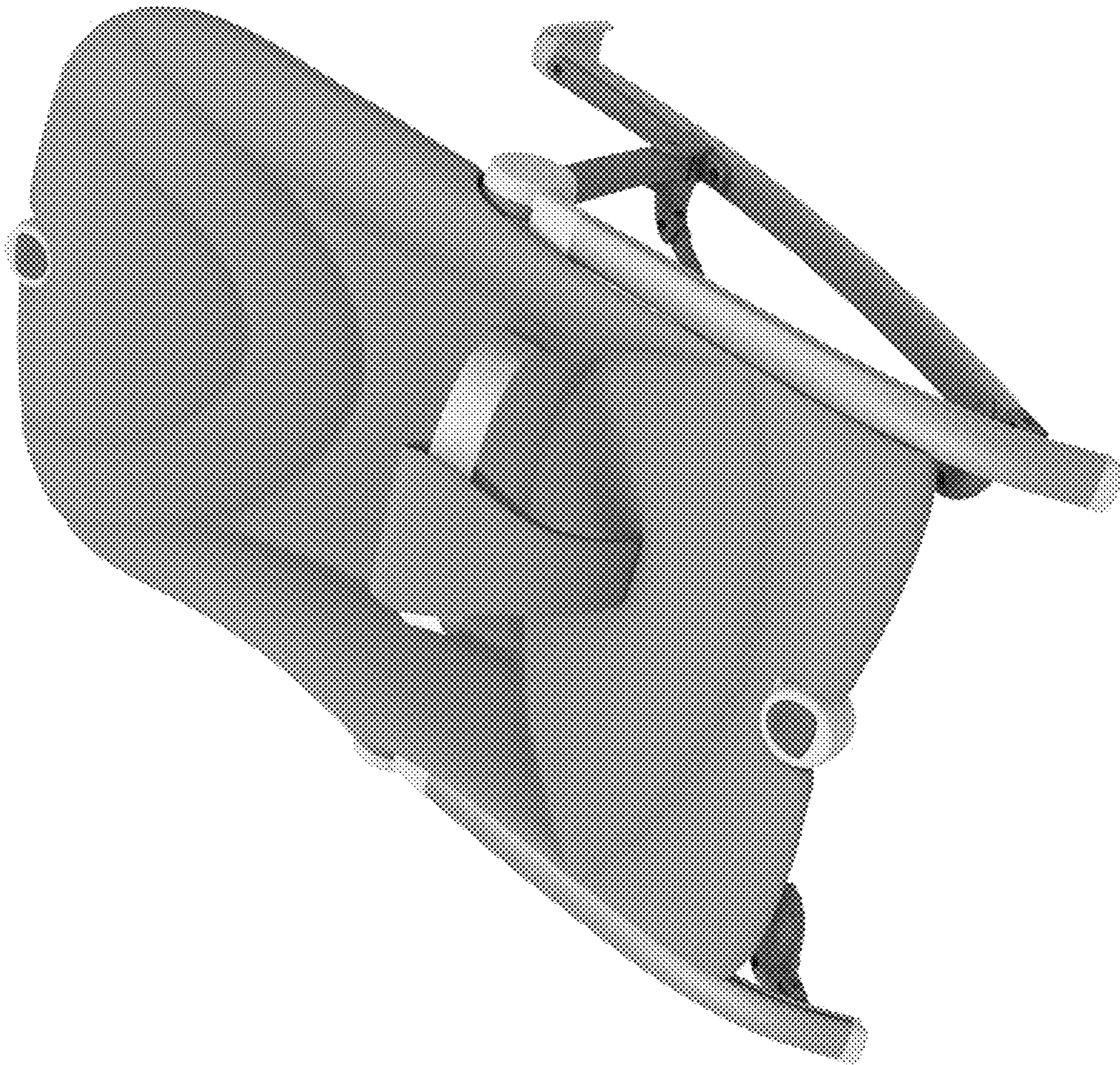


FIG. 1

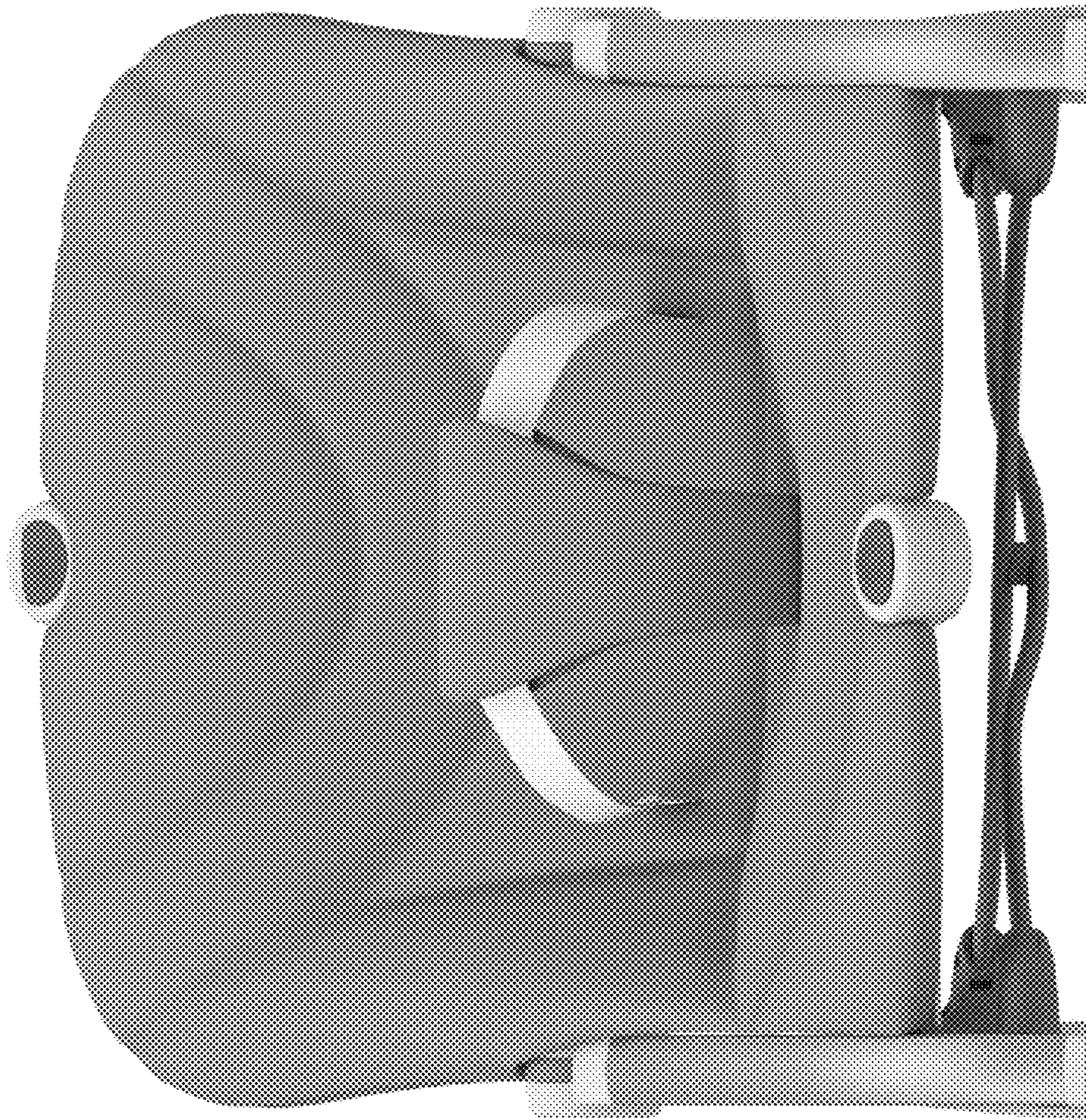


FIG. 2

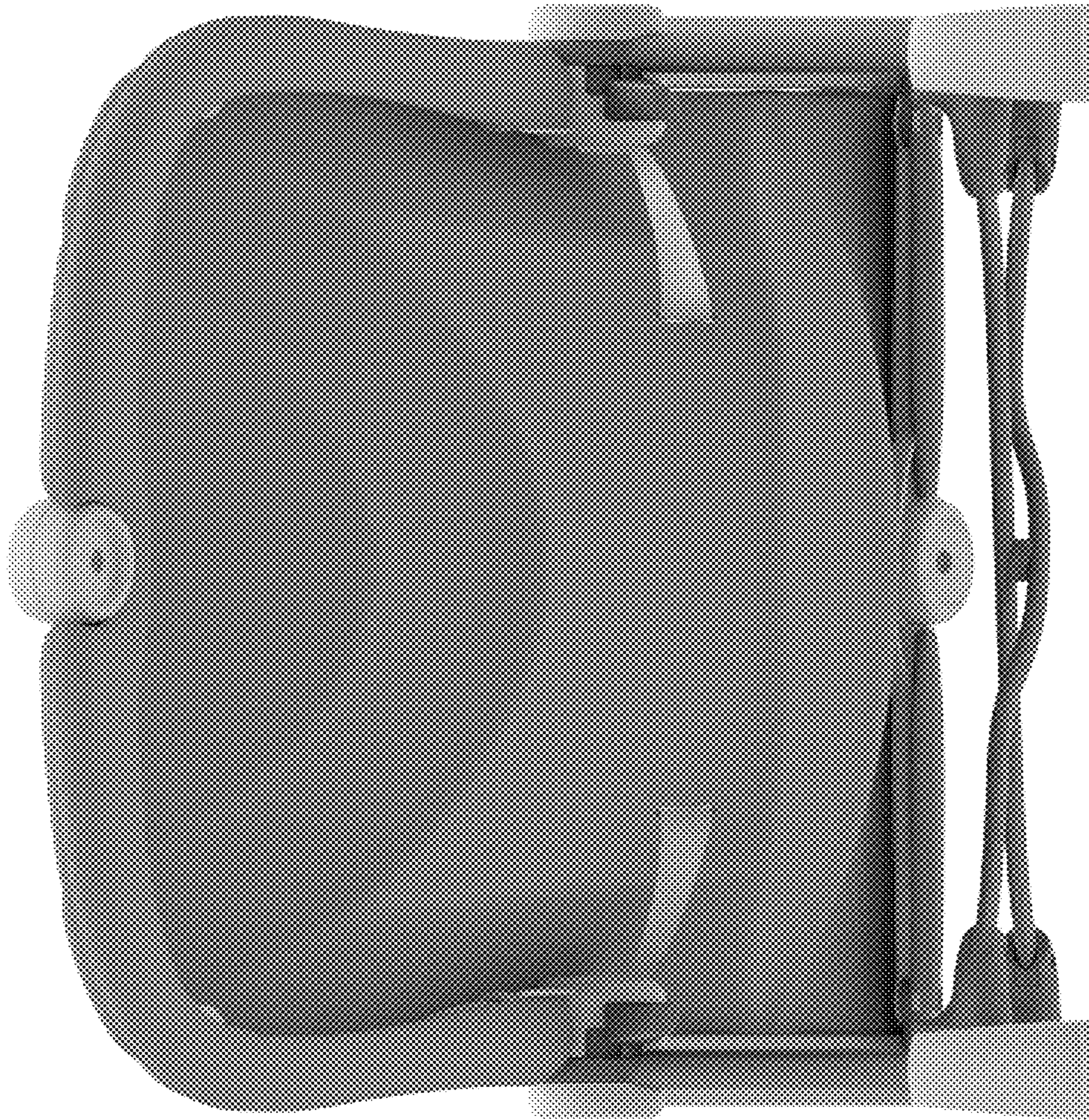


FIG. 3

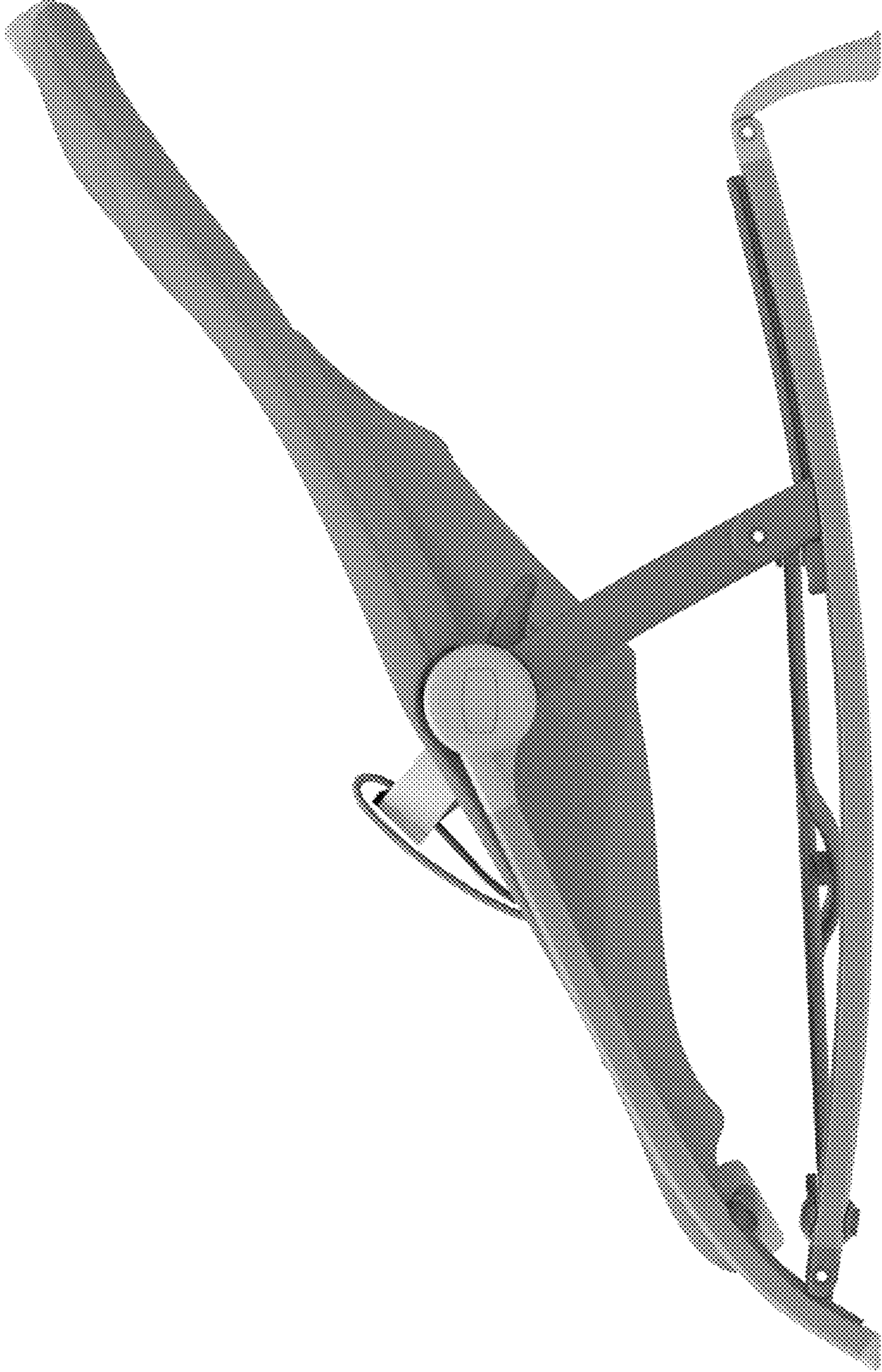


FIG. 4

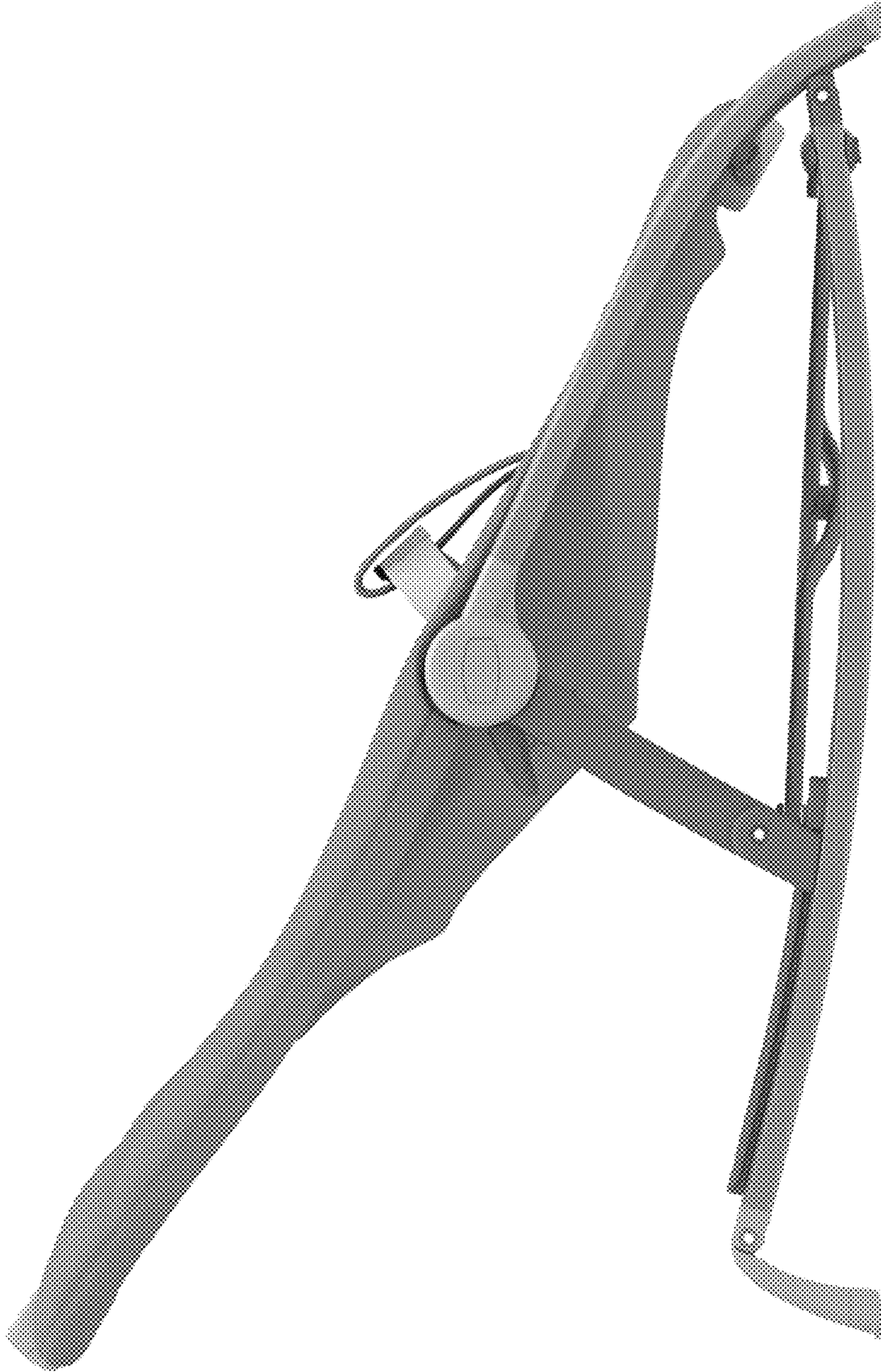


FIG. 5



FIG. 6

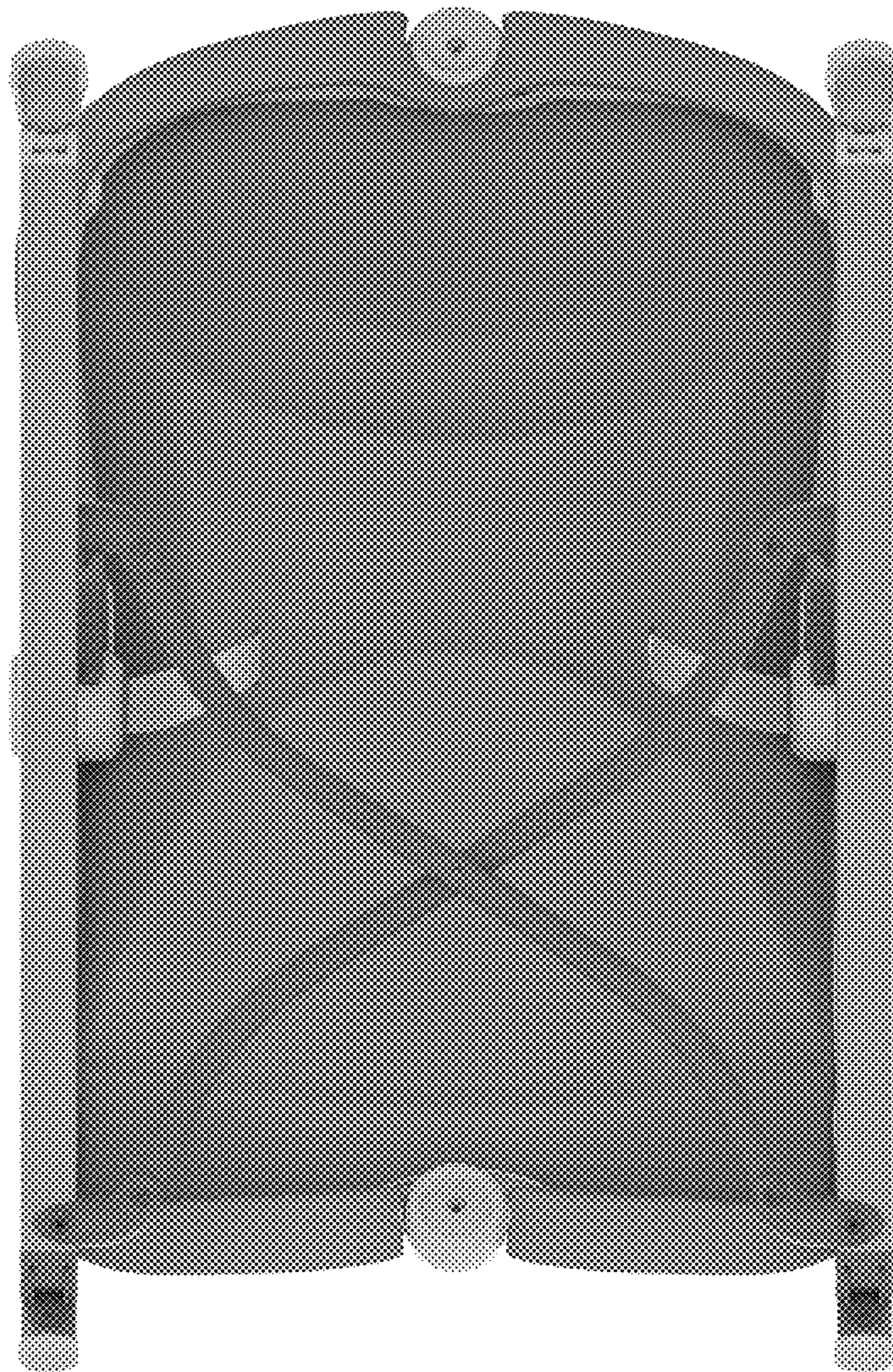


FIG. 7