



US00D796851S

(12) **United States Design Patent** (10) **Patent No.:** **US D796,851 S**
Zuckerman et al. (45) **Date of Patent:** **** Sep. 12, 2017**

(54) **GARMENT HANGER WITH UNDER NOTCHES**
(71) Applicant: **BRAIFORM (HK) LTD.**, Kowloon Bay (HK)
(72) Inventors: **Andrew Zuckerman**, New York, NY (US); **Michael Warren**, Bishops Stortford (GB)
(73) Assignee: **BRAIFORM (HK) LTD.**, Kowloon Bay (HK)
(**) Term: **15 Years**
(21) Appl. No.: **29/552,975**
(22) Filed: **Jan. 27, 2016**
(51) **LOC (10) Cl.** **06-08**
(52) **U.S. Cl.**
USPC **D6/318**
(58) **Field of Classification Search**
USPC D6/315-328; 223/85-98; 211/1, 10, 211/13.1, 85.3, 113
CPC A47G 25/26; A47G 25/28; A47G 25/30; A47G 25/32; A47G 25/34; A47G 25/36; A47G 25/38; A47G 25/442; A47G 25/625; A47G 25/743; A47G 25/1407; A47G 25/1457; A47G 2025/1492; A47F 7/18; A47F 7/19; A47F 7/22
See application file for complete search history.

(56) **References Cited**
U.S. PATENT DOCUMENTS
D195,445 S * 6/1963 Warmath D6/318
4,653,678 A * 3/1987 Blanchard A47G 25/183
211/113
4,871,098 A * 10/1989 Bredeweg A47G 25/183
211/113
D367,770 S * 3/1996 Petrou D6/318
D414,044 S * 9/1999 Choi D6/318

D441,203 S * 5/2001 Giustini D6/318
D448,182 S * 9/2001 Giustini D6/318
D506,619 S * 6/2005 Mainetti D6/318
D520,541 S * 5/2006 Singleton D6/318
D521,254 S * 5/2006 Biu D6/319
7,464,841 B1 * 12/2008 Hansen A47G 25/1428
223/85
D597,747 S * 8/2009 Heroux D6/318
D597,748 S * 8/2009 Wegehaupt D6/318
D606,764 S * 12/2009 Warren D6/318
D680,758 S * 4/2013 Jones D6/318

(Continued)

Primary Examiner — Ian Simmons
Assistant Examiner — Lauren Calve
(74) *Attorney, Agent, or Firm* — Scully Scott Murphy and Presser

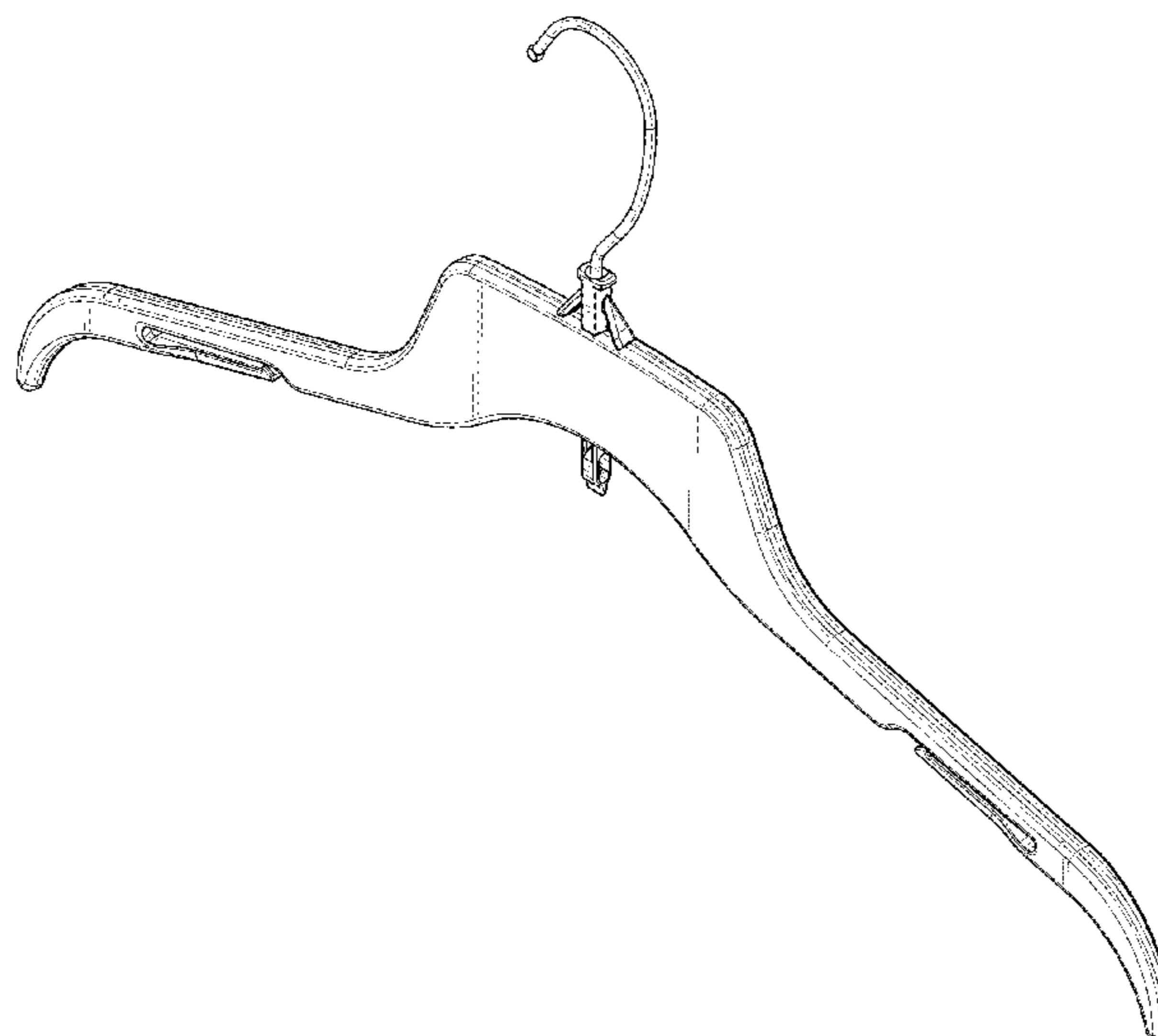
(57) **CLAIM**

The ornamental design for a garment hanger with under notches, as shown and described.

DESCRIPTION

FIG. 1 is a perspective view of a garment hanger with under notches showing our new design;
FIG. 2 is a second perspective view thereof;
FIG. 3 is a front elevation view thereof;
FIG. 4 is a rear elevation view thereof;
FIG. 5 is a partial sectional view taken along lines 5-5 shown in FIG. 4;
FIG. 6 is a partial sectional view taken along lines 6-6 shown in FIG. 4;
FIG. 7 is a partial sectional view taken along lines 7-7 shown in FIG. 4;
FIG. 8 is a top plan view of FIG. 1;
FIG. 9 is a bottom plan view thereof; and,
FIG. 10 is a side elevation view thereof, and the opposite side elevation view is a mirror image thereof.
The short dash-long dash lines shown in FIG. 4 represent the planes upon which the sectional views are taken and form no part of the claimed design.

1 Claim, 6 Drawing Sheets



(56)

References Cited

U.S. PATENT DOCUMENTS

2003/0183665 A1* 10/2003 Olk A47G 25/30
223/85
2006/0186149 A1* 8/2006 Wu A47G 25/183
223/85
2007/0145084 A1* 6/2007 Goldman A47G 25/1428
223/85
2008/0283558 A1* 11/2008 Rude A47G 25/32
223/94
2009/0302074 A1* 12/2009 Hansen G09F 3/04
223/92
2010/0140306 A1* 6/2010 Chan A47G 25/28
223/92
2010/0193552 A1* 8/2010 Gouldson A47G 25/28
223/92

* cited by examiner

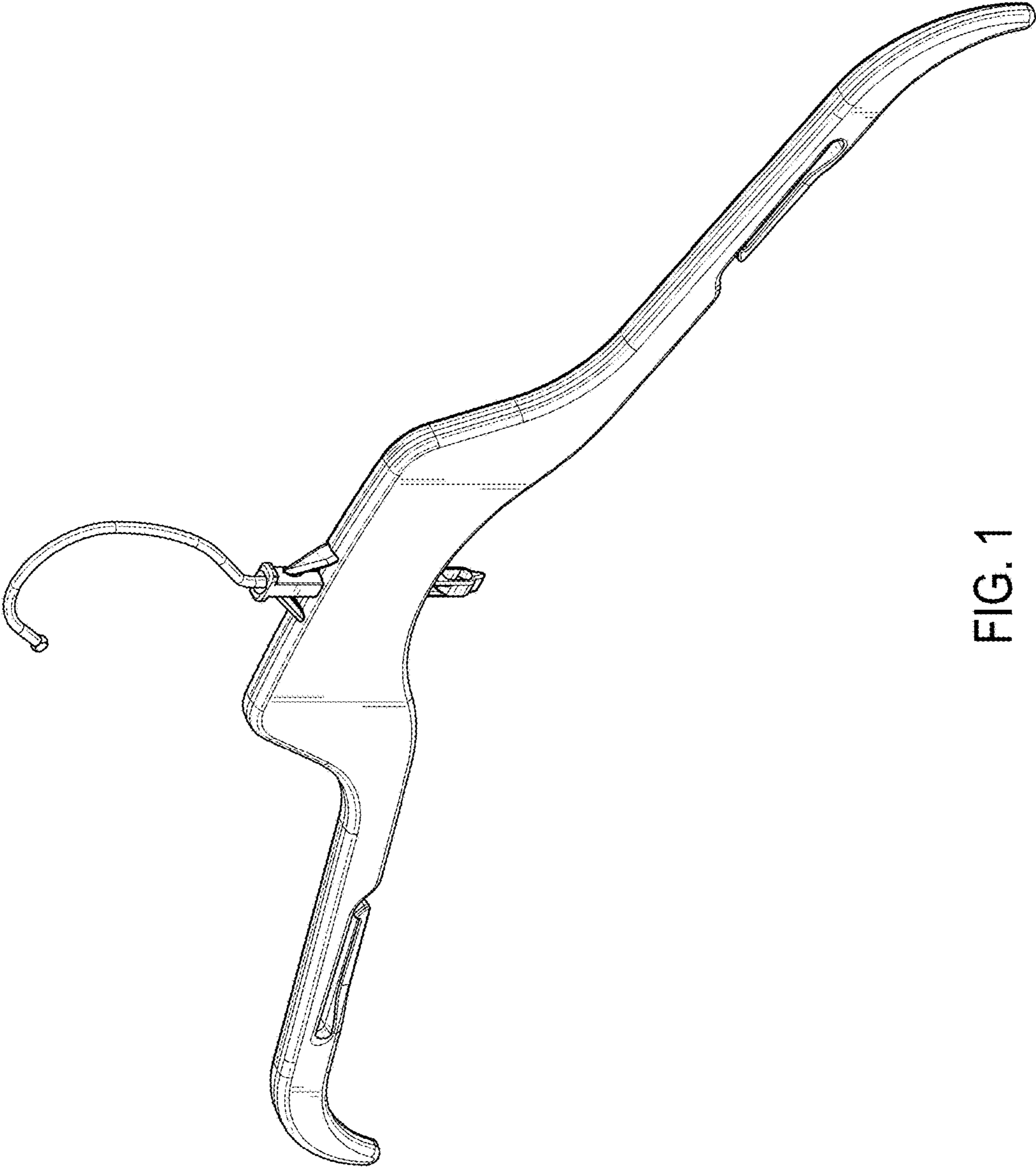


FIG. 1

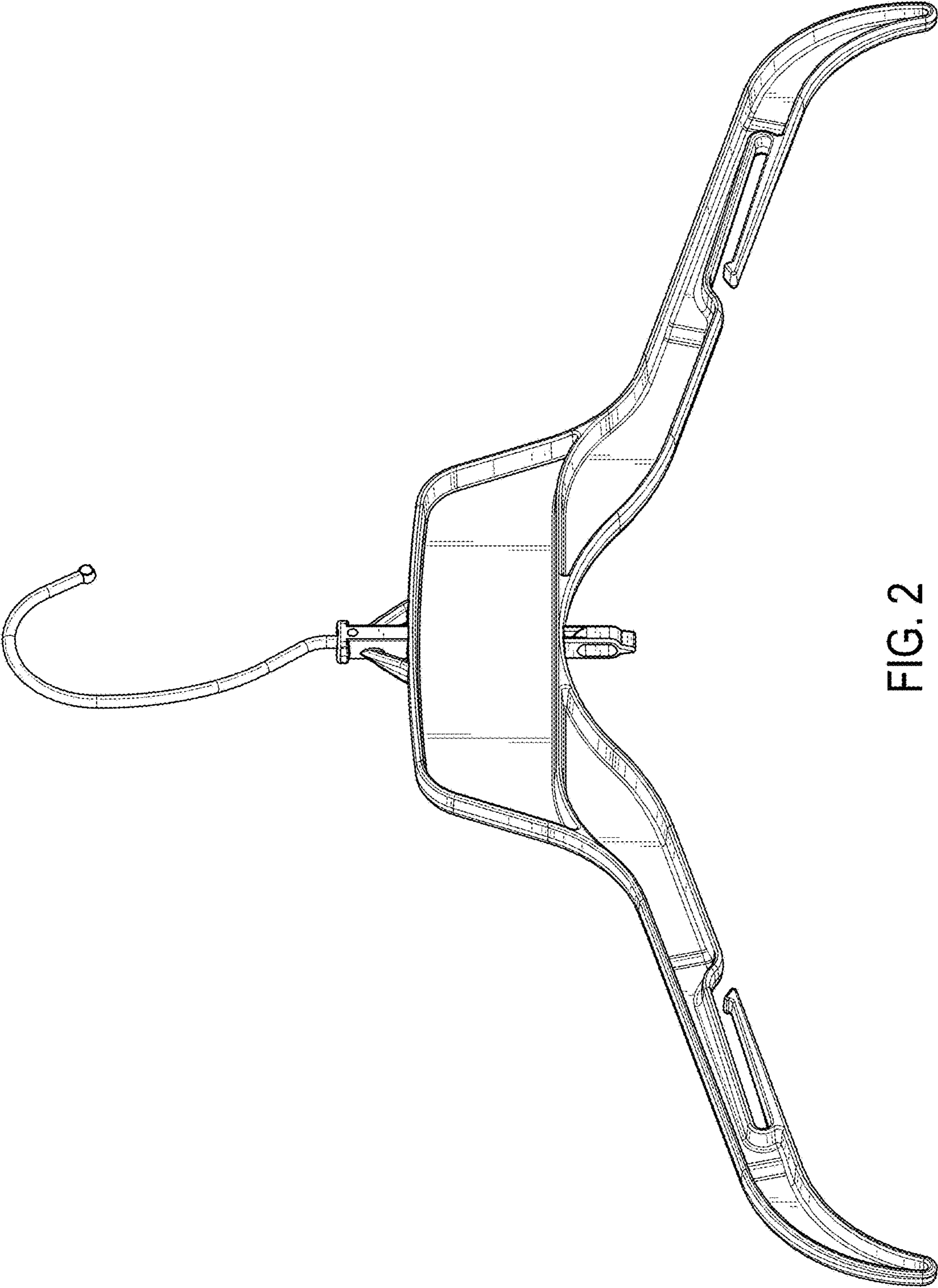


FIG. 2

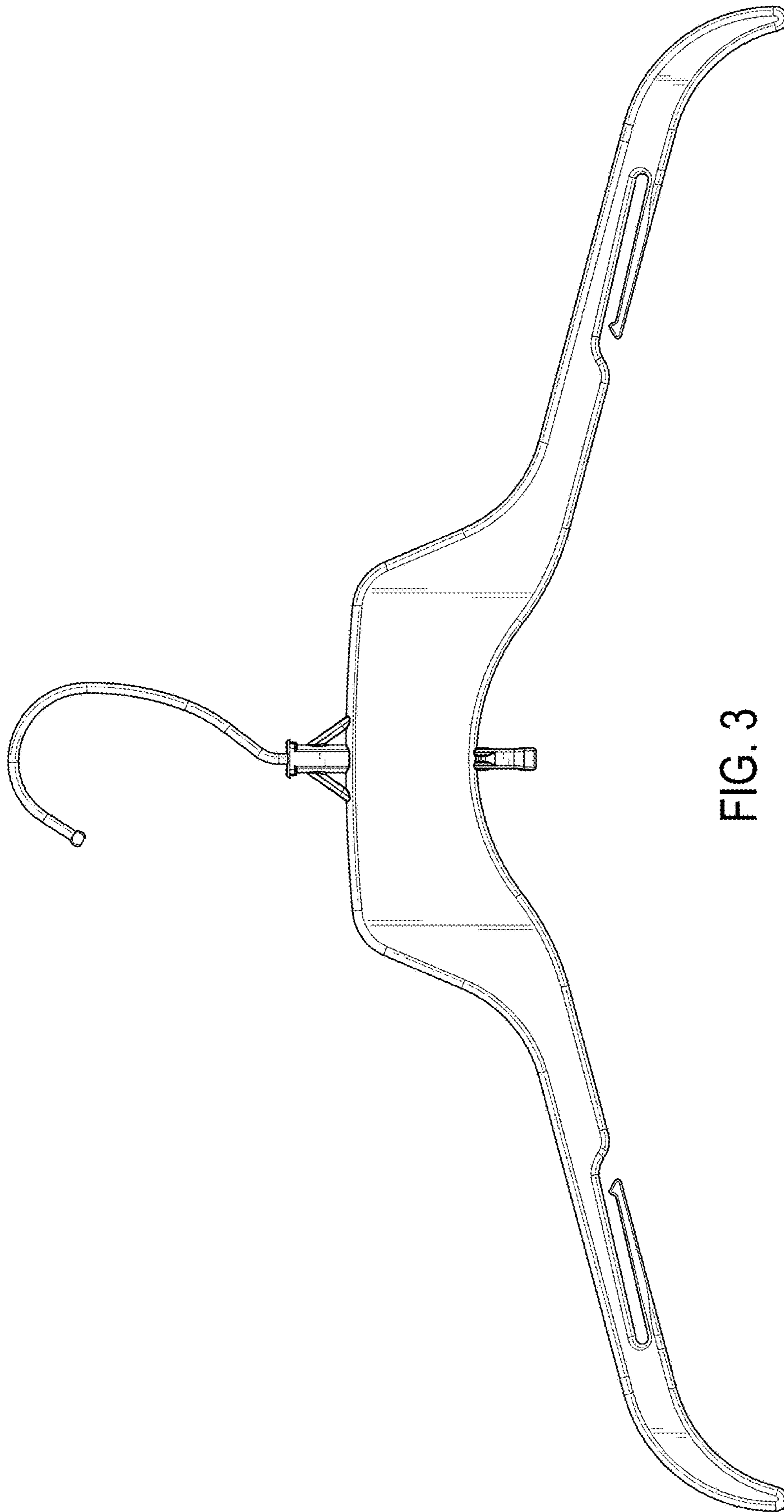


FIG. 3

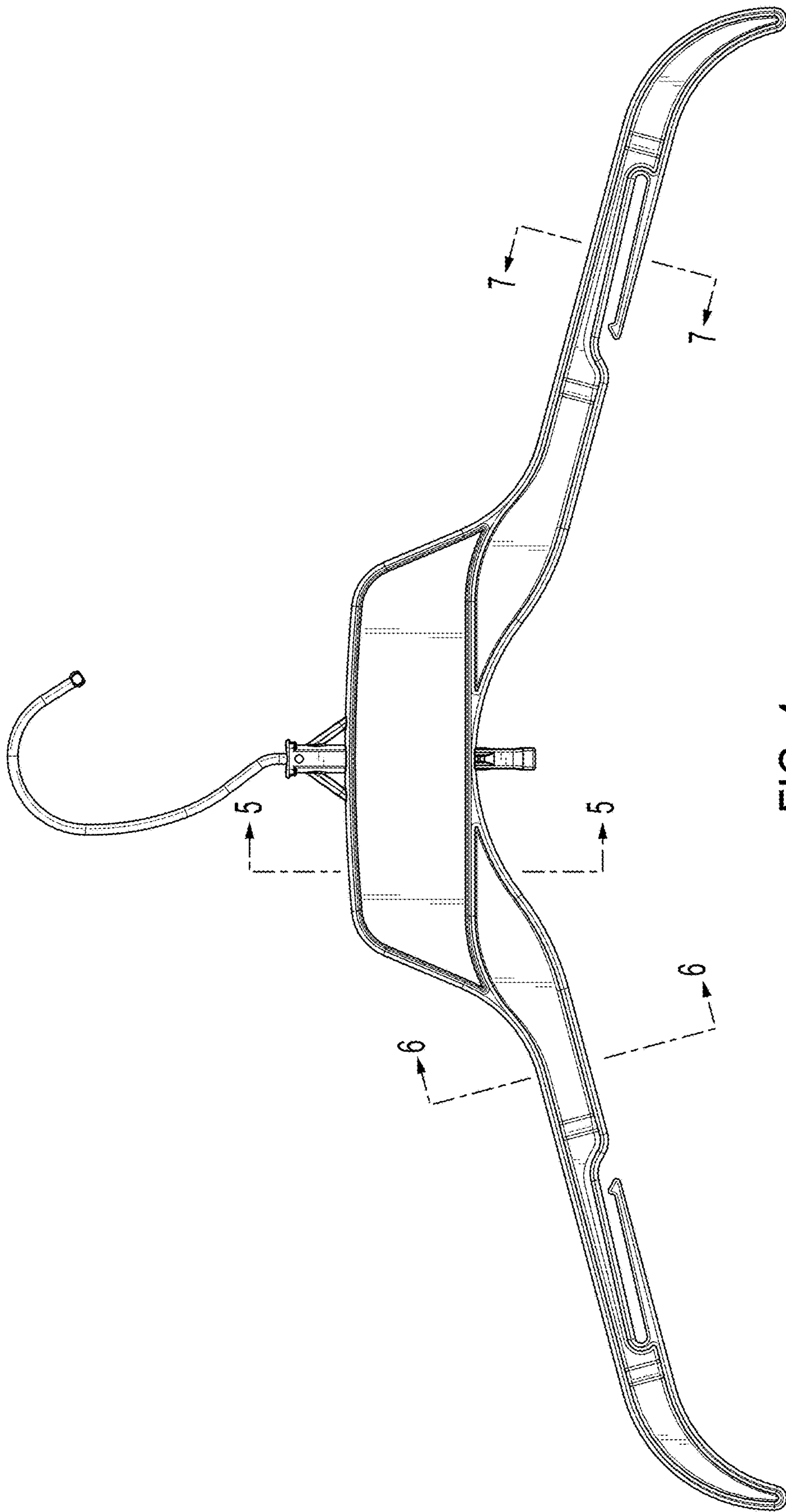


FIG. 4

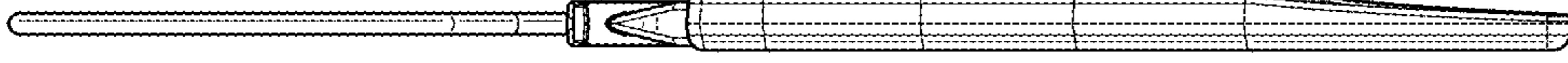


FIG. 10

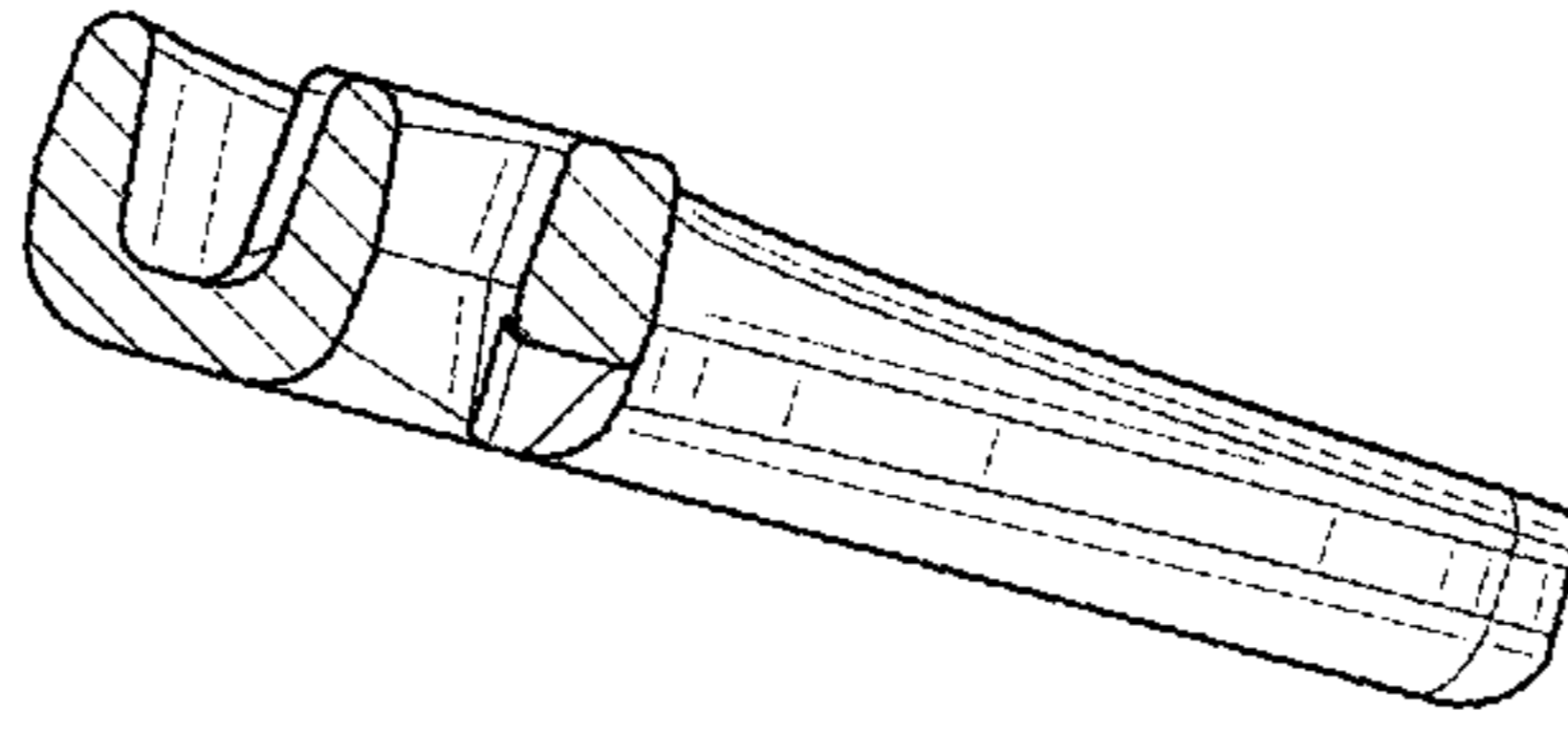


FIG. 7

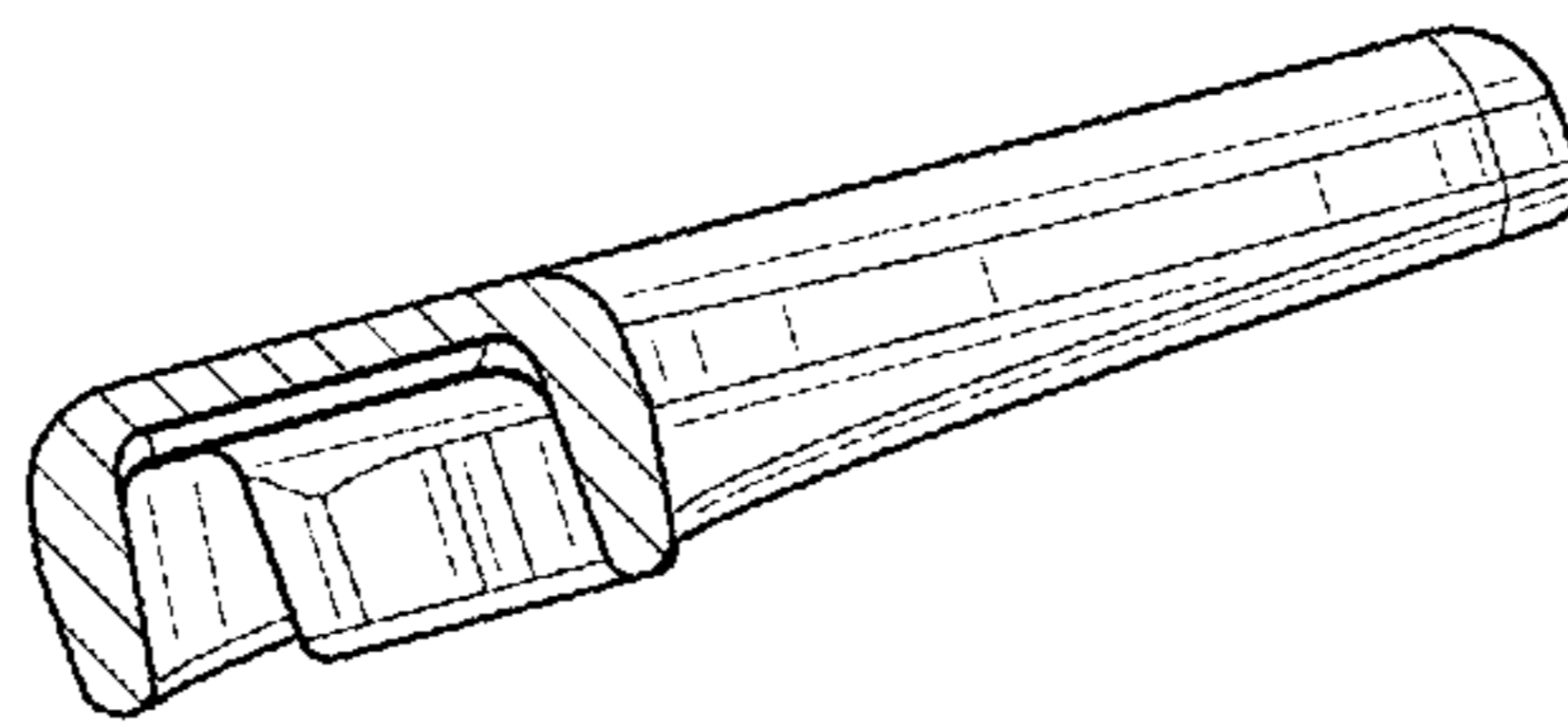


FIG. 6

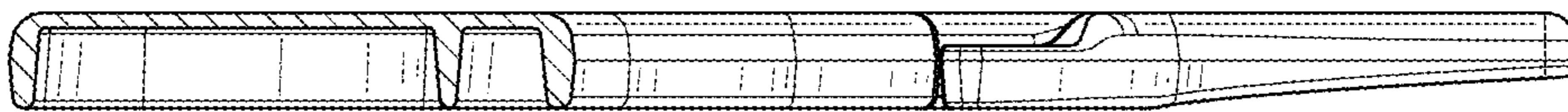


FIG. 5



FIG. 8



FIG. 9