



US00D796848S

(12) **United States Design Patent**  
**Dandridge et al.**

(10) **Patent No.:** **US D796,848 S**

(45) **Date of Patent:** **\*\* Sep. 12, 2017**

(54) **BODY BRUSH**

(71) Applicant: **Spectrum Brands, Inc.**, Middleton, WI (US)

(72) Inventors: **Bryan Keith Dandridge**, Waukesha, WI (US); **Seung Il Kim**, Madison, WI (US)

(73) Assignee: **Spectrum Brands, Inc.**, Middleton, WI (US)

(\*\*) Term: **15 Years**

(21) Appl. No.: **29/550,122**

(22) Filed: **Dec. 30, 2015**

(51) **LOC (10) Cl.** ..... **04-02**

(52) **U.S. Cl.**  
USPC ..... **D4/127**

(58) **Field of Classification Search**  
USPC ..... D4/122, 127, 131, 132, 133, 134, 135, D4/130, 199, 138; D24/211, 212, 213, D24/214, 215, 218; D28/7, 63; D32/40, D32/43, 45  
CPC .. A46B 5/02; A46B 9/02; A46B 9/026; A46B 2200/102; A46B 2200/1006  
See application file for complete search history.

(56) **References Cited**

**U.S. PATENT DOCUMENTS**

D45,441 S *	3/1914	Williams	.....	D28/63
D46,240 S *	8/1914	Williams	.....	601/137
1,913,462 A *	6/1933	Timar	.....	A61H 7/003
				601/135
D140,384 S *	2/1945	Latshaw	.....	D24/211
2,408,860 A *	10/1946	Lindblad	.....	A47K 7/03
				15/244.1
2,448,846 A *	9/1948	Trochim	.....	A61H 7/003
				601/154

2,476,921 A \* 7/1949 Shock ..... A61H 7/001  
482/79

D266,116 S \* 9/1982 Deconinck ..... D4/127  
D440,768 S 4/2001 Chen

(Continued)

**FOREIGN PATENT DOCUMENTS**

CN 3027219 \* 9/1994  
CN 3034099 \* 8/1995

(Continued)

**OTHER PUBLICATIONS**

Picture of body brush in article entitled, How to Dry Brush Your Skin (and Why You Should!) [on-line]. Published on the Internet Mar. 10, 2015; retrieved from the Internet on May 28, 2017. URL: <<https://beautyeditor.ca/2015/03/10/how-to-dry-brush-your-body>>. (7 pages).\*

(Continued)

*Primary Examiner* — Karen E Eldridge Powers  
(74) *Attorney, Agent, or Firm* — Banner & Witcoff, Ltd.

(57) **CLAIM**

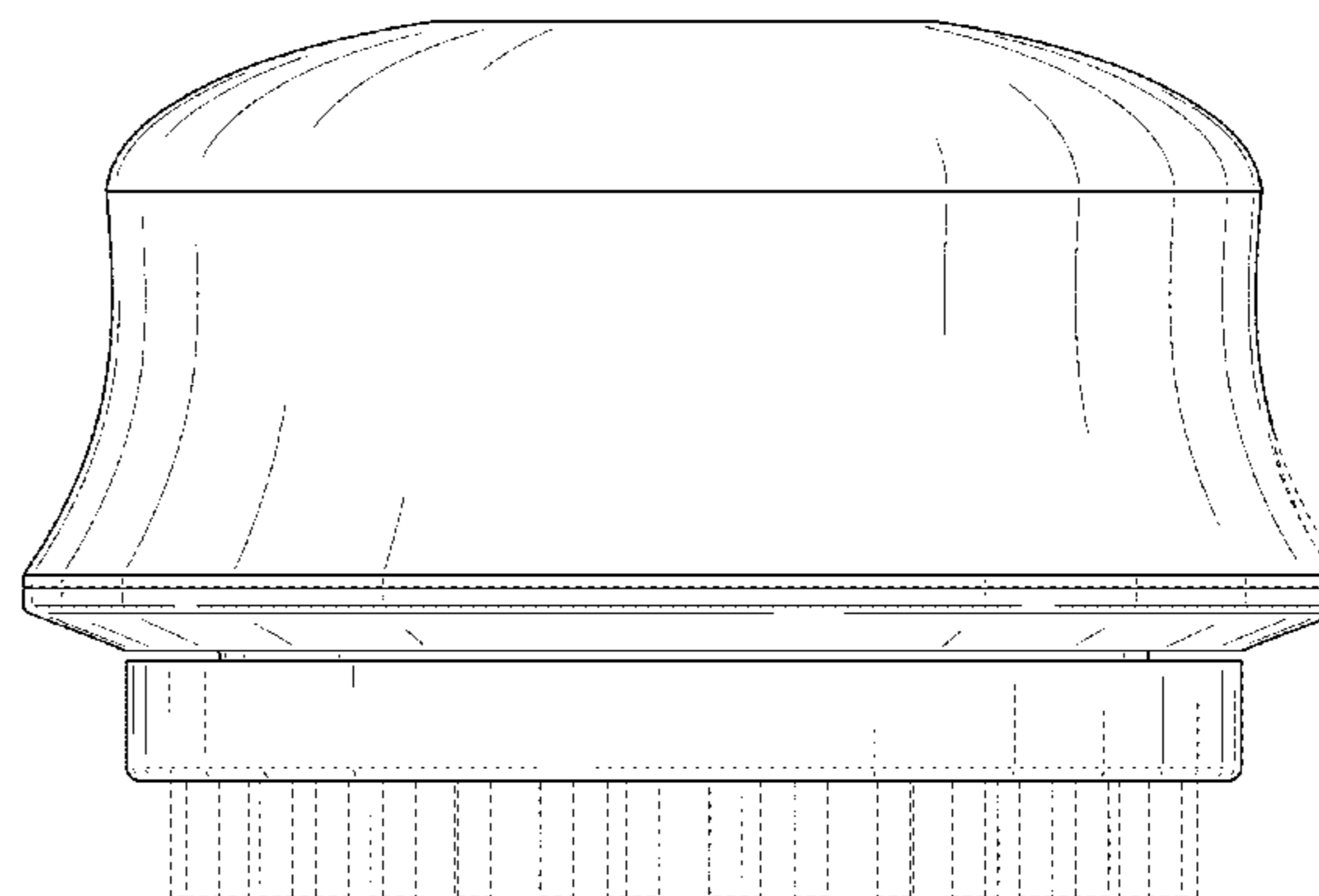
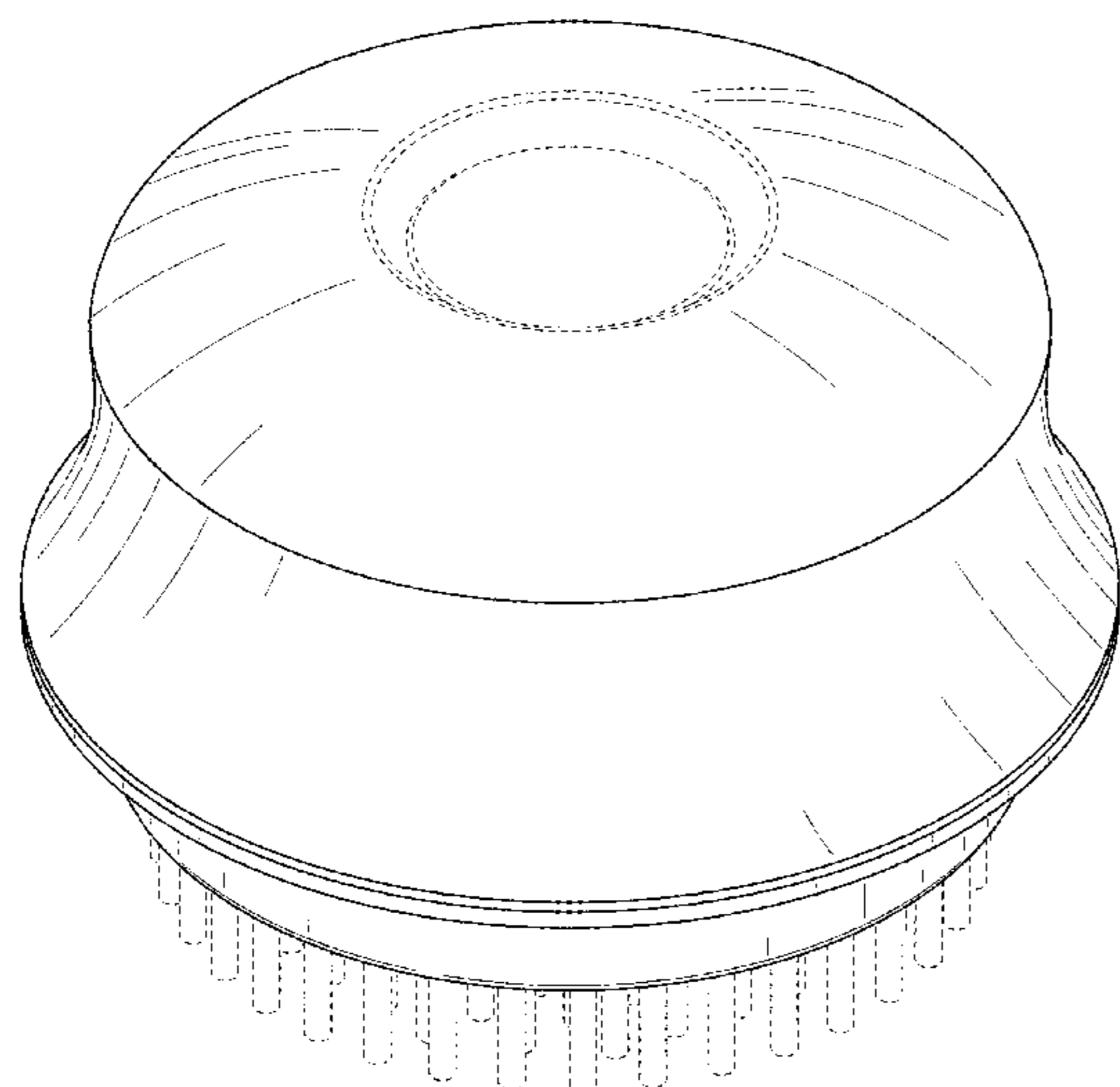
The ornamental design for a body brush, as shown and described.

**DESCRIPTION**

FIG. 1 is a front, top perspective view of a body brush showing our new design;  
FIG. 2 is a front elevation view thereof;  
FIG. 3 is a rear elevation view thereof;  
FIG. 4 is a left side elevation view thereof;  
FIG. 5 is a right side elevation view thereof;  
FIG. 6 is a top plan view thereof; and,  
FIG. 7 is a bottom plan view thereof.

The broken line showing of the circular region on the top of the body brush, the rounded trapezoidal region in the rear of the body brush, and the bristles represents environmental structure and forms no part of the claimed design.

**1 Claim, 7 Drawing Sheets**



(56)

References Cited

U.S. PATENT DOCUMENTS

D448,573 S 10/2001 Chen  
 D505,749 S \* 5/2005 Angeletta ..... D28/7  
 D589,257 S 3/2009 Van Wambeke  
 D601,803 S 10/2009 Reishus et al.  
 D675,333 S \* 1/2013 Luzon ..... D24/215  
 D715,558 S 10/2014 Brewer  
 D734,949 S 7/2015 Behnam  
 D756,033 S \* 5/2016 Gordon ..... D28/7  
 2007/0000566 A1\* 1/2007 Gueret ..... A45D 34/04  
 141/98  
 2008/0166178 A1\* 7/2008 Alarcon Grajeda ..... A47K 7/03  
 401/201  
 2015/0216371 A1\* 8/2015 Cassidy ..... A47K 7/03  
 15/104.93  
 2016/0137345 A1\* 5/2016 Grodsky ..... A61C 1/082  
 222/143

FOREIGN PATENT DOCUMENTS

CN 3456291 \* 6/2005  
 CN 3624931 3/2007  
 CN 300757968 \* 3/2008  
 CN 302822522 S 5/2014  
 CN 302832279 S 6/2014

CN 303783919 \* 8/2016  
 EM 002477851-002 7/2014  
 WO D091038-004 \* 9/2016  
 WO D091038-005 \* 9/2016

OTHER PUBLICATIONS

Remington BB1000 Wet and Dry Rotating Exfoliating Body Brush: Amazon.co.uk: Health & Personal Care [on-line]. First available on Amazon May 4, 2016; retrieved from the Internet May 28, 2017. URL: <<https://www.amazon.co.uk/Remington-BB1000-Rotating-Exfoliating-Brush/dp/B01FAWGYJI>>. (6 pages).\*

BB1000 Reveal Body Brush [on-line]. Publication date unknown; retrieved from the Internet May 28, 2017. URL: <<http://en.remington-europe.com/beauty-and-wellbeing/body-brushes/reveal-body-brush-bb10000.html>>. (2 pages).\*

Remington Reveal BB1000 Body Brush Users Guide [on-line]. Publication date unknown; retrieved from the Internet May 28, 2017. URL: <[http://en.remington-europe.com/pdf/bb1000\\_int.pdf](http://en.remington-europe.com/pdf/bb1000_int.pdf)>. (12 pages with enlargement on p. 12).\*

Listing of companies that are held by Spectrum Brands [on-line]. Published at least as early as Oct. 4, 2015; retrieved from the Internet on May 28, 2017. URL: <<http://www.spectrumbrands.com/aboutus/>>. (1 page).\*

\* cited by examiner

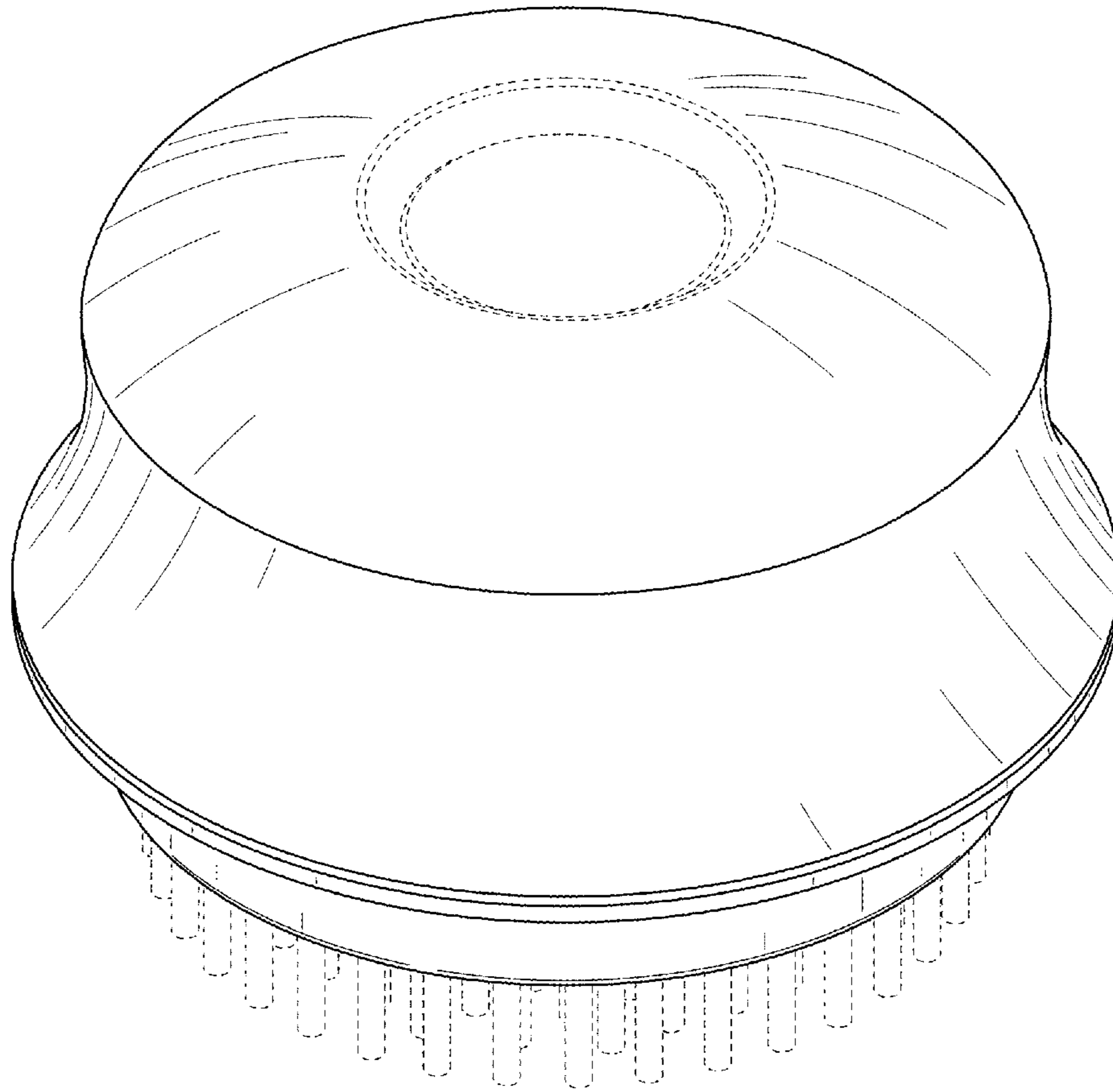


FIG. 1

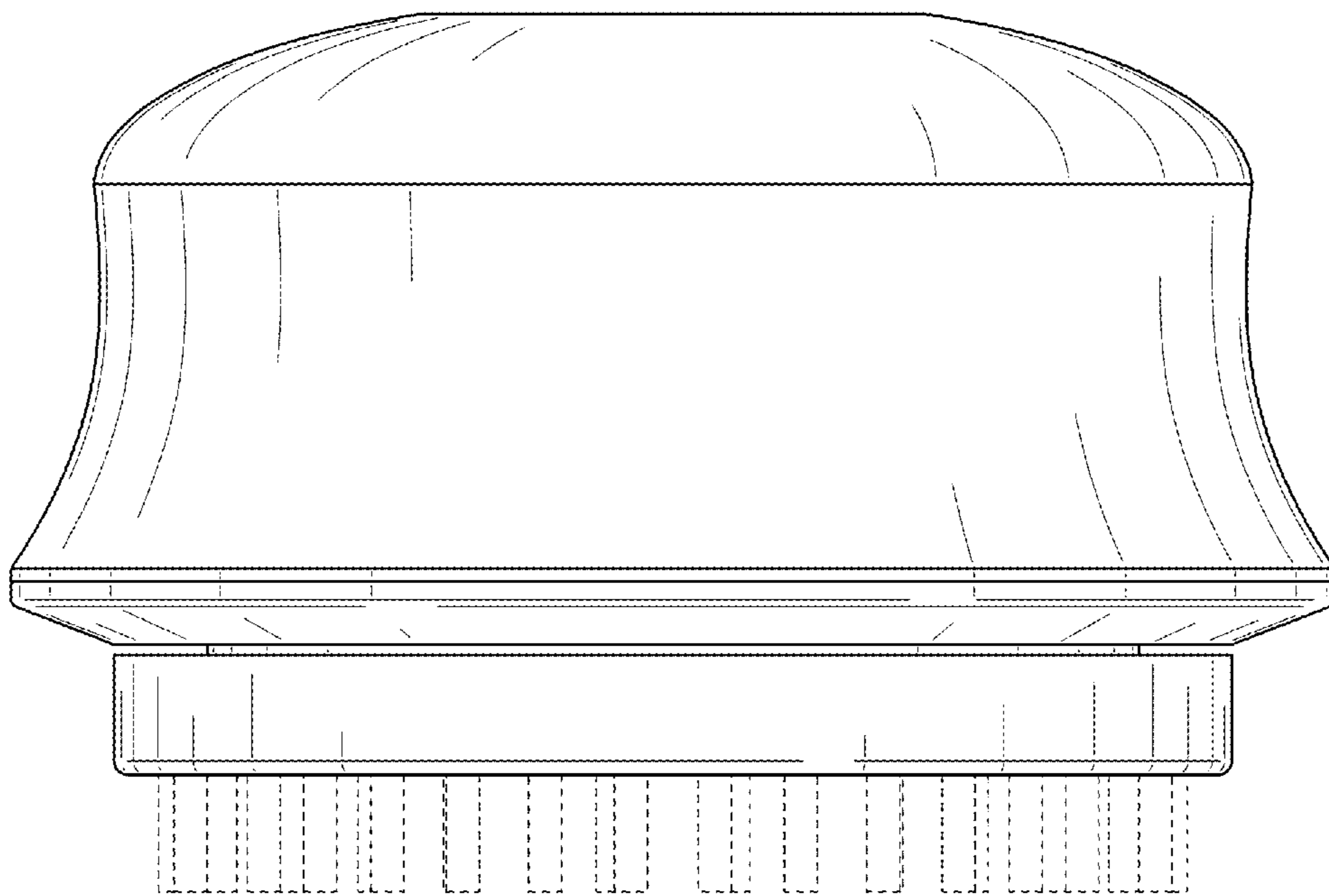


FIG. 2

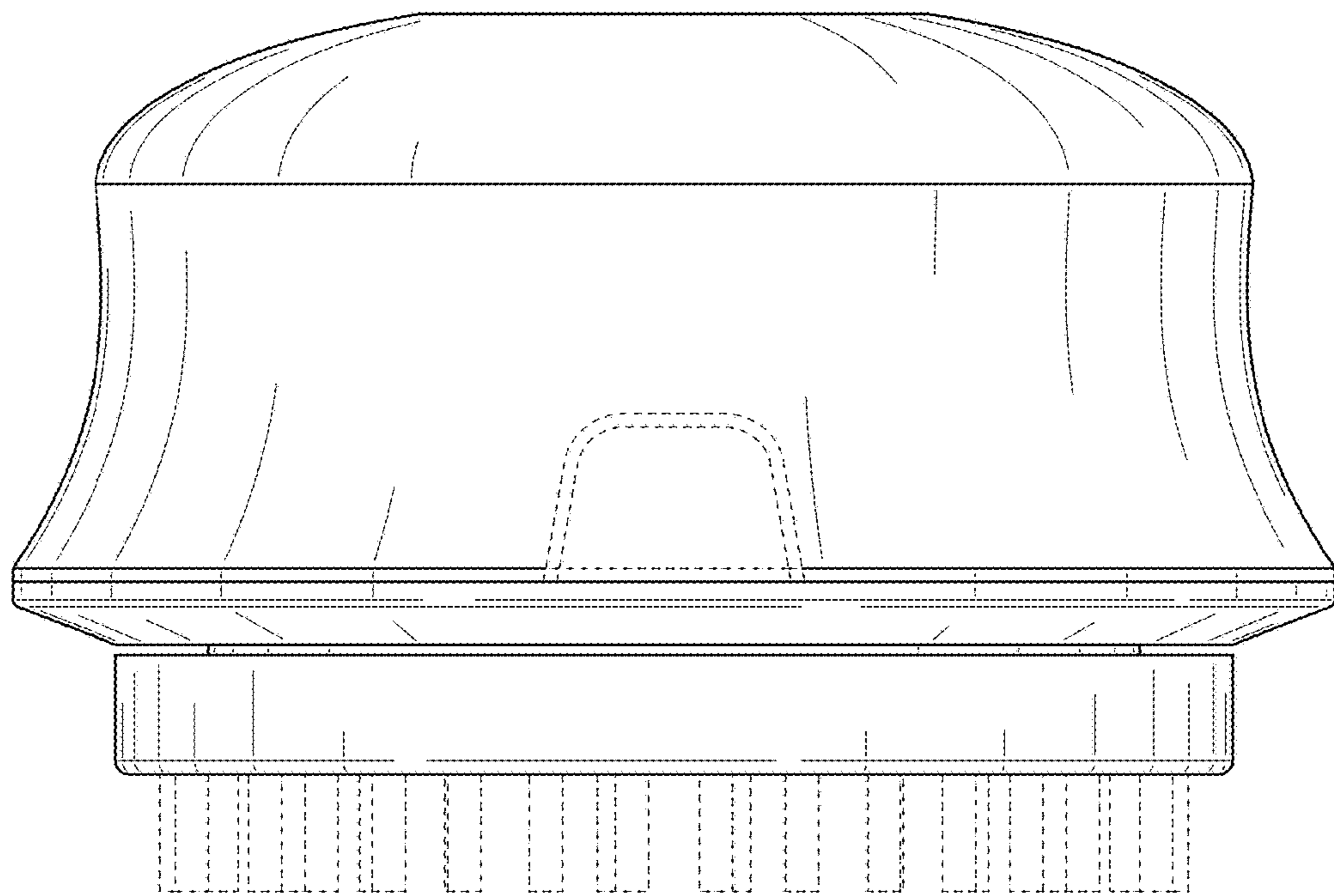


FIG. 3

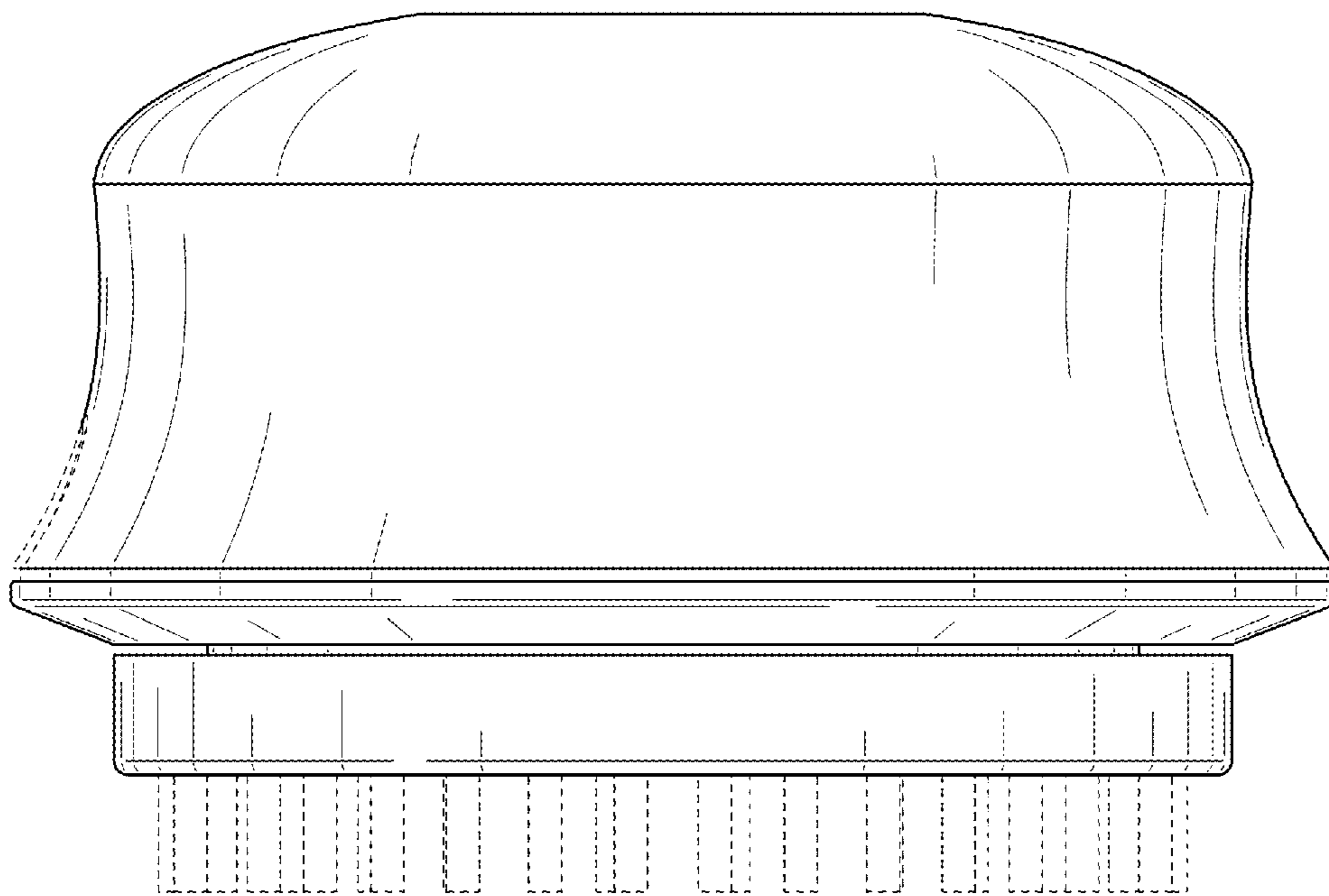


FIG. 4



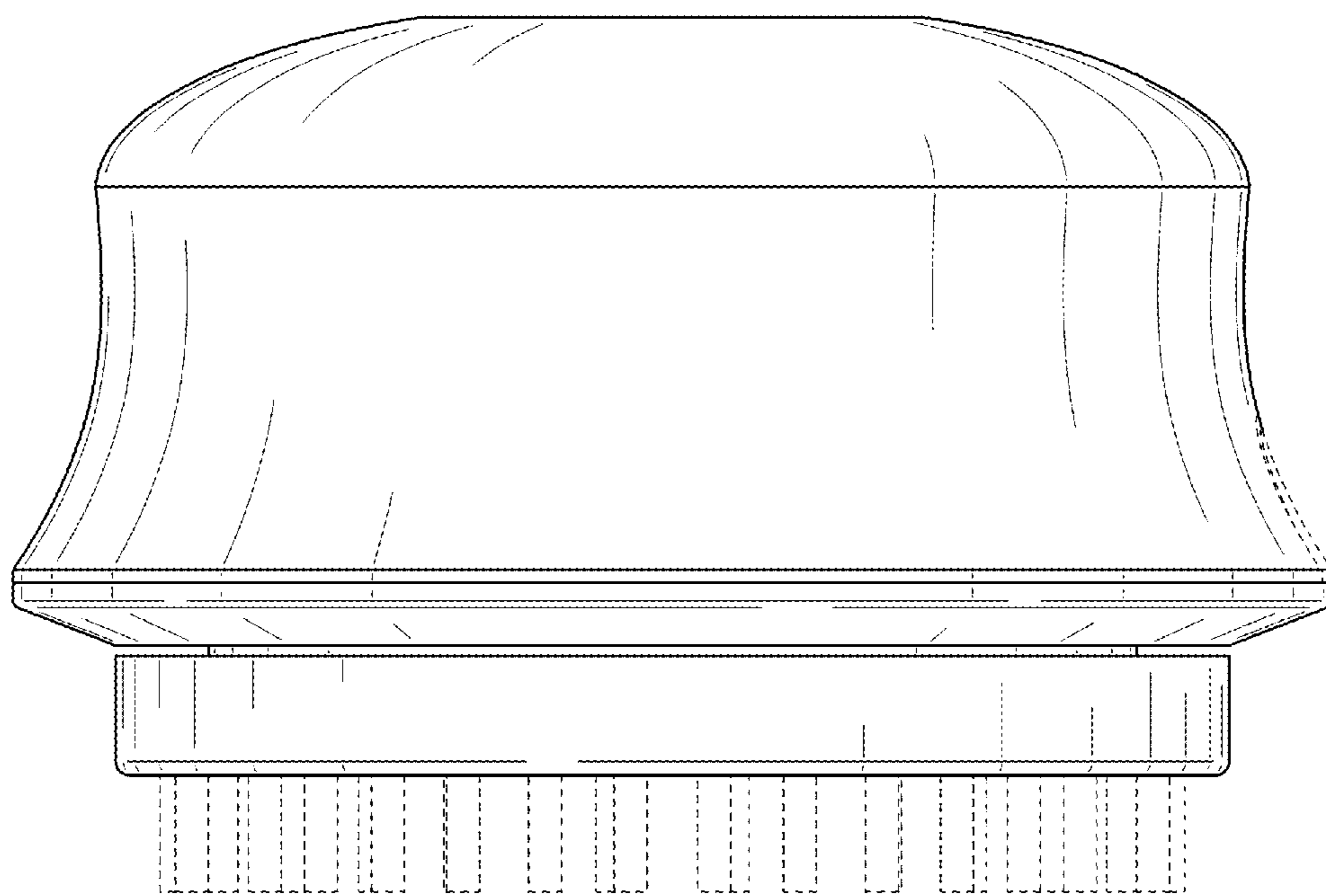


FIG. 5

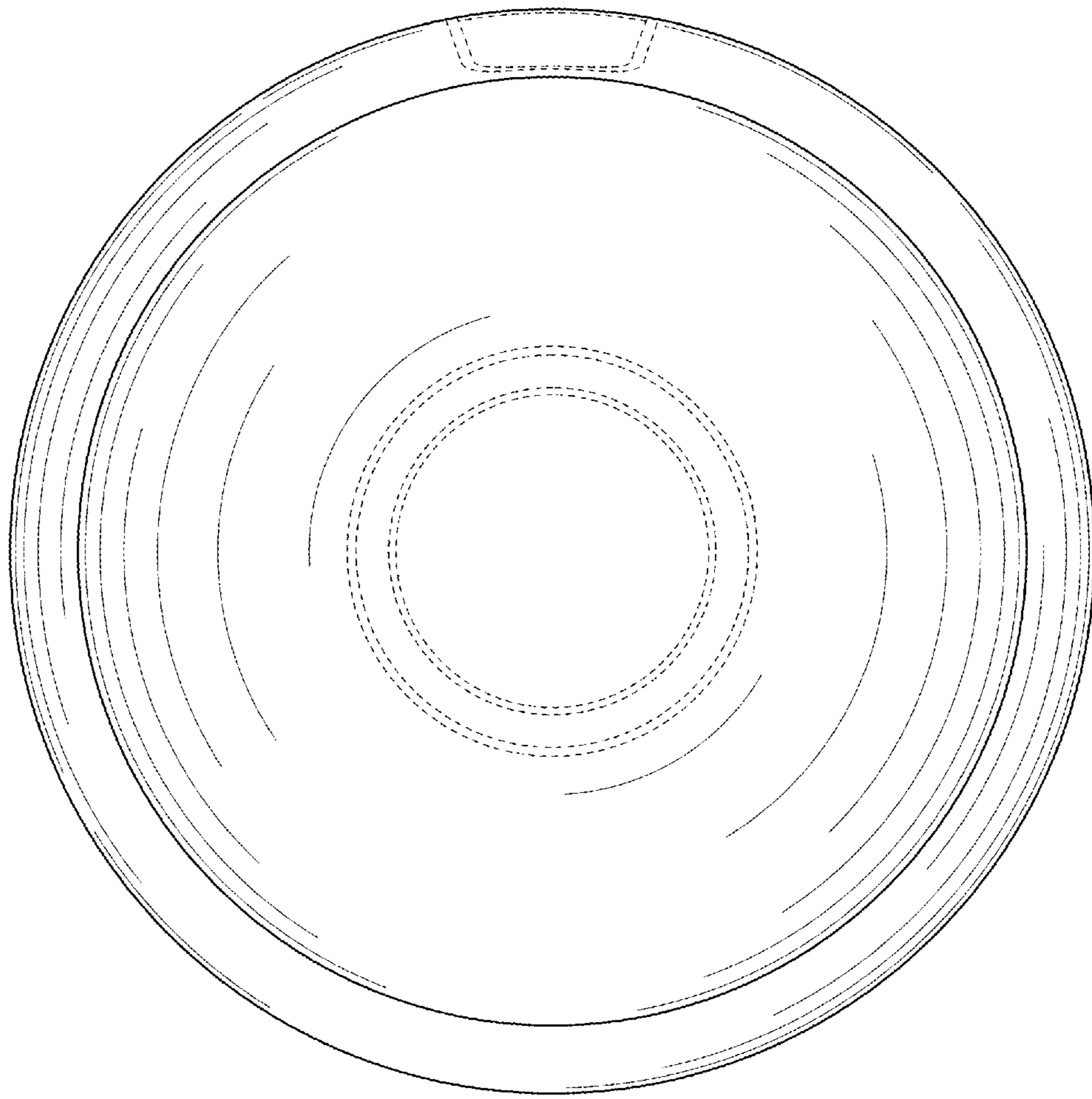


FIG. 6



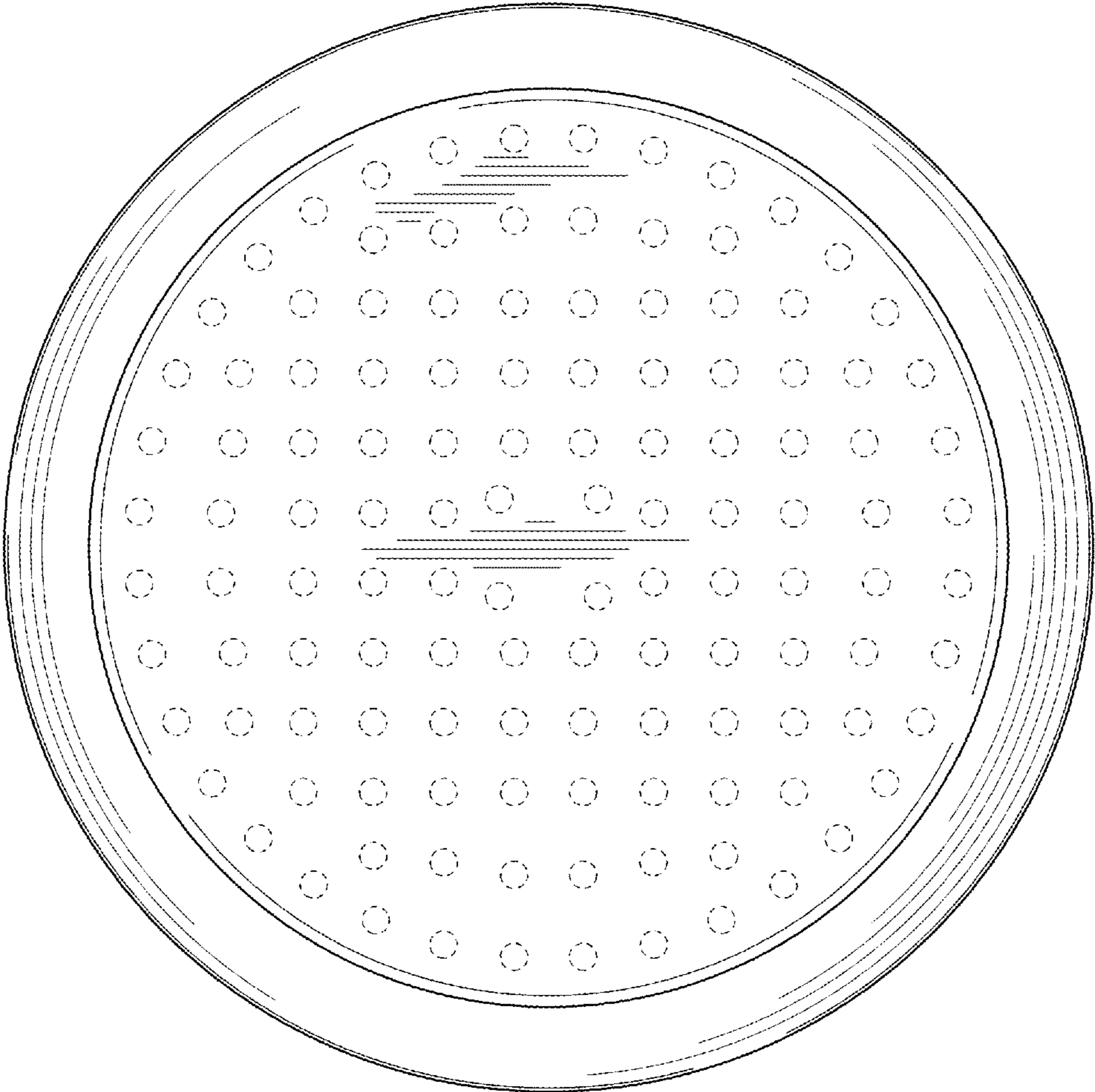


FIG. 7