



US00D796845S

(12) **United States Design Patent** (10) **Patent No.:** **US D796,845 S**
Jose (45) **Date of Patent:** **** Sep. 12, 2017**

(54) **HATCH FOR A SUITCASE LID**
(71) Applicant: **Boban Jose**, San Ramon, CA (US)
(72) Inventor: **Boban Jose**, San Ramon, CA (US)
(**) Term: **15 Years**
(21) Appl. No.: **29/553,770**
(22) Filed: **Feb. 4, 2016**
(51) **LOC (10) Cl.** **03-01**
(52) **U.S. Cl.**
USPC **D3/321**
(58) **Field of Classification Search**
USPC D3/201, 204, 216, 272-275, 279, 280,
D3/282, 283, 284, 288, 289, 294, 309,
D3/315, 318, 321, 322, 323, 902; D5/1,
D5/2, 4, 47, 54, 58, 59, 62; D9/430-433;
D10/49, 50, 60, 103, 125, 132; D12/406,
D12/409, 410, 412, 413, 92, 173, 202,
D12/203; D14/341, 443, 448, 451;
D24/185; D25/48.8, 141, 152, 153, 30,
D25/48.1-48.4, 55-58, 60, 138, 199;
D34/25; D8/16
CPC A45C 5/00; A45C 5/03; A45C 2005/032;
A45C 2005/035; A45C 2005/037
See application file for complete search history.

(56) **References Cited**
U.S. PATENT DOCUMENTS
3,091,221 A * 5/1963 Worm E06B 7/32
119/484
3,312,990 A * 4/1967 Lapworth B63B 17/02
114/361
D229,686 S * 12/1973 Hildebrand D25/21
4,357,898 A * 11/1982 Fehrenbacher B05B 15/0475
118/504
D292,511 S * 10/1987 Brown D12/317
D297,801 S * 9/1988 Olsson D8/14
D347,068 S * 5/1994 Rota D25/48.3

D400,986 S * 11/1998 Kanta D25/199
D443,078 S * 5/2001 Wilson D25/141
D447,578 S * 9/2001 Larose D25/141
D457,405 S * 5/2002 White D8/16
D474,436 S * 5/2003 Richardson D12/203
D525,031 S * 7/2006 Miles D3/279
D562,469 S * 2/2008 Vandewater, Jr. D25/141
D569,011 S * 5/2008 Brochu D25/138
D582,564 S * 12/2008 Potter D24/216
D582,574 S * 12/2008 Mackenzie D25/138
D588,955 S * 3/2009 Green, Jr. D12/14
D609,144 S * 2/2010 Takayama D12/173
D648,865 S * 11/2011 Hohmann, Jr. E04B 1/7046
D25/138
D649,267 S * 11/2011 Apgood, II D25/138
D677,404 S * 3/2013 Griffiths D25/119

(Continued)

Primary Examiner — Susan E Krakower
Assistant Examiner — Lisa A Grabenstetter
(74) *Attorney, Agent, or Firm* — Law Office of Ilya Libenzon

(57) **CLAIM**

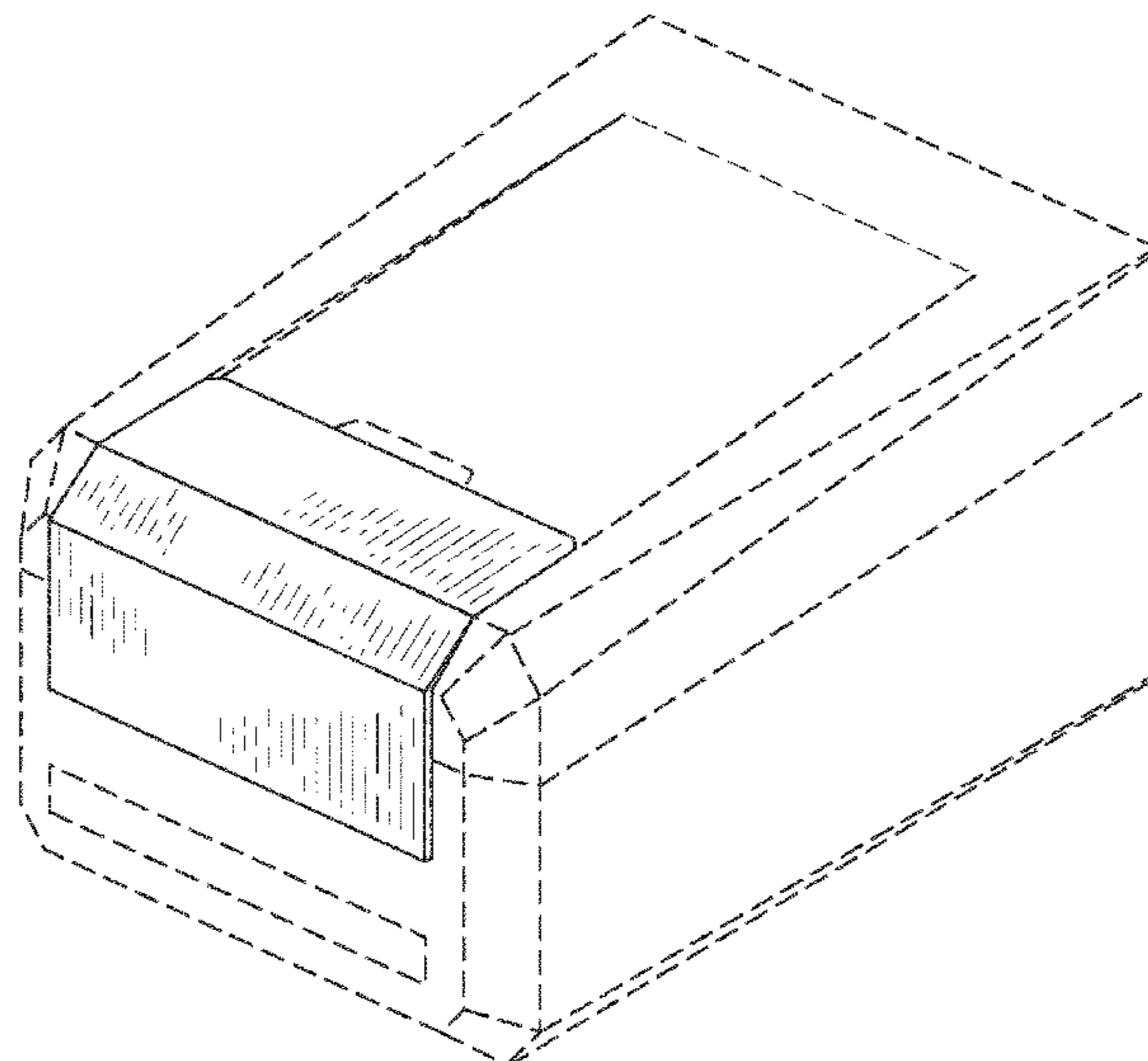
What is claimed is the ornamental design for a hatch for a suitcase lid, as shown and described.

DESCRIPTION

FIG. 1 is a perspective view of the hatch according to the present invention;
FIG. 2 is a front view of the hatch according to the present invention;
FIG. 3 is a side view of the hatch according to the present invention;
FIG. 4 is an opposite side view of the hatch according to the present invention; and,
FIG. 5 is a top view of the hatch according to the present invention.

The broken lines, showing a suitcase, depict the environment structure for a hatch for a suitcase lid, which form no part of the claimed design.

1 Claim, 5 Drawing Sheets



(56)

References Cited

U.S. PATENT DOCUMENTS

D690,838 S	*	10/2013	Griffiths	D25/119
D701,323 S	*	3/2014	Fortun	E06B 1/70 D25/48.2
D719,736 S	*	12/2014	Blount	D3/318

* cited by examiner

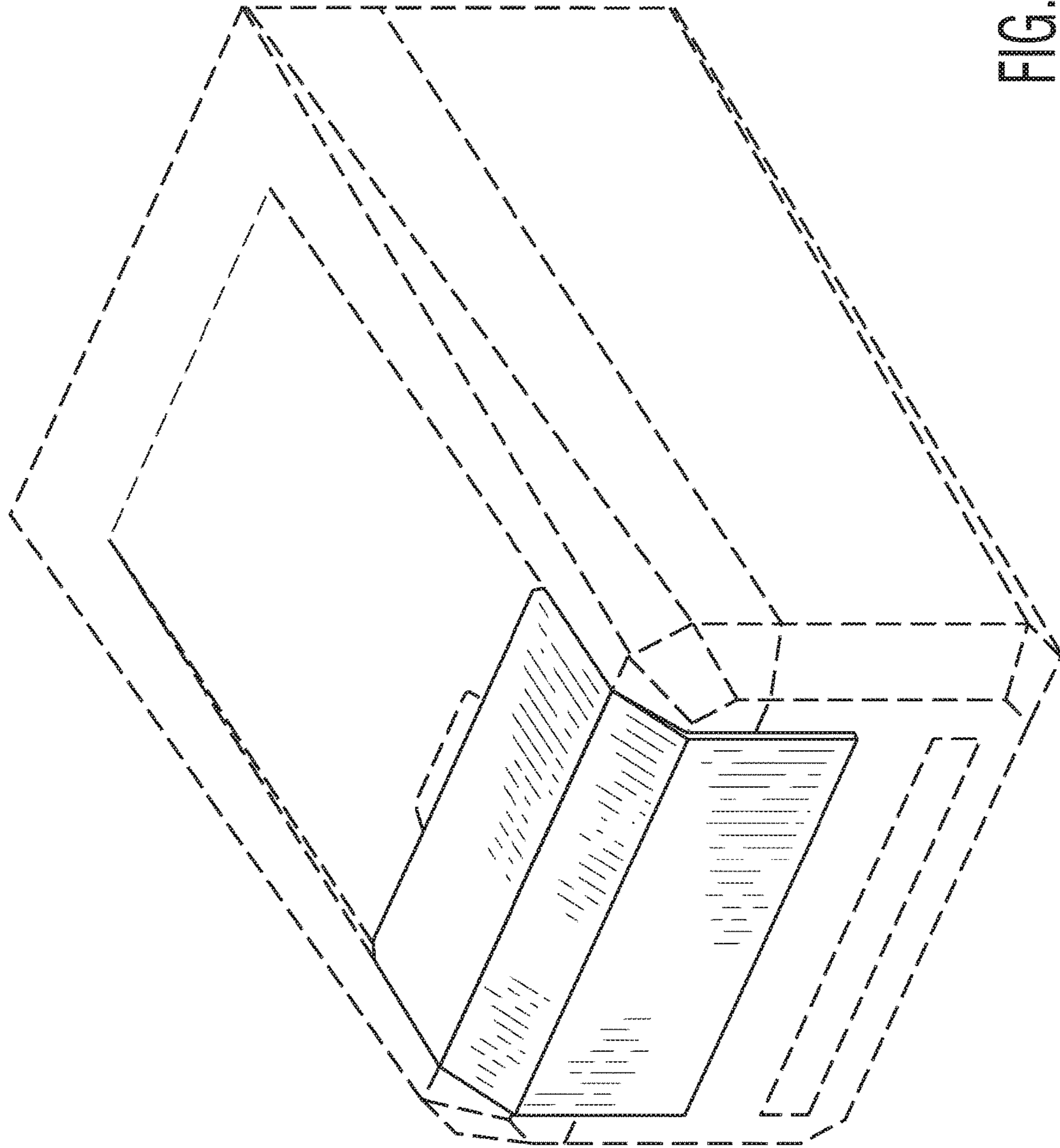


FIG. 1

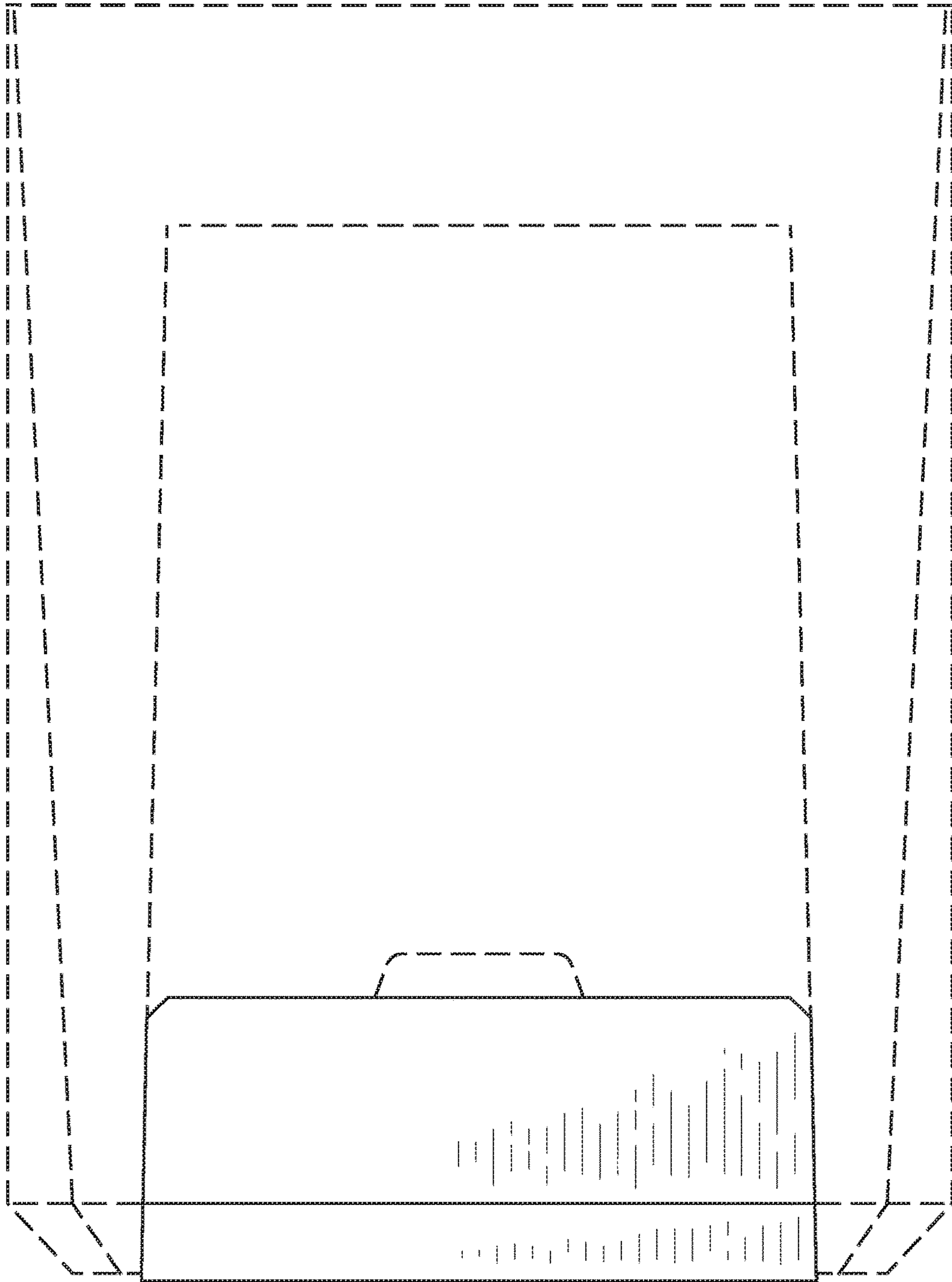


FIG. 2

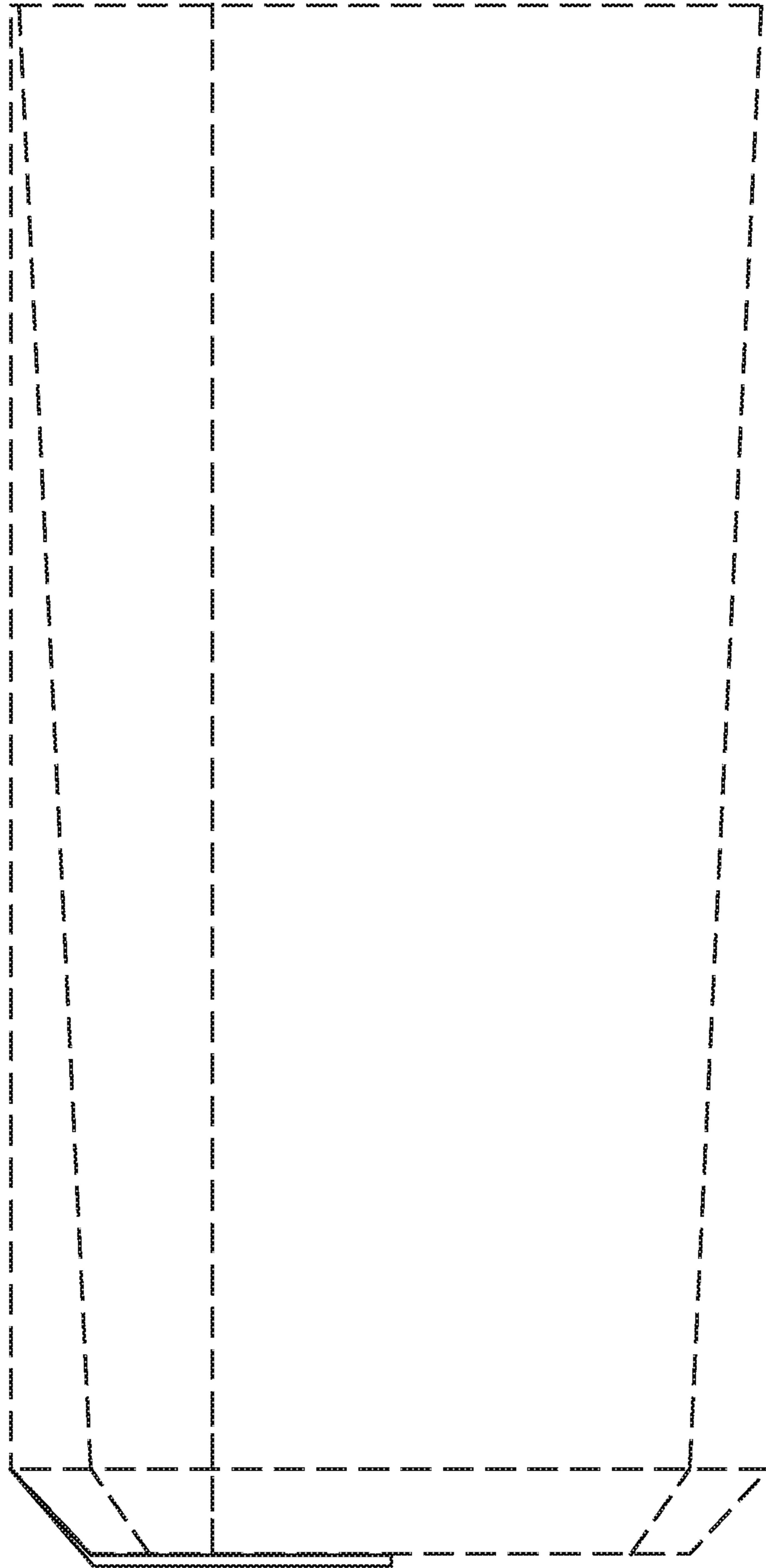


FIG. 3

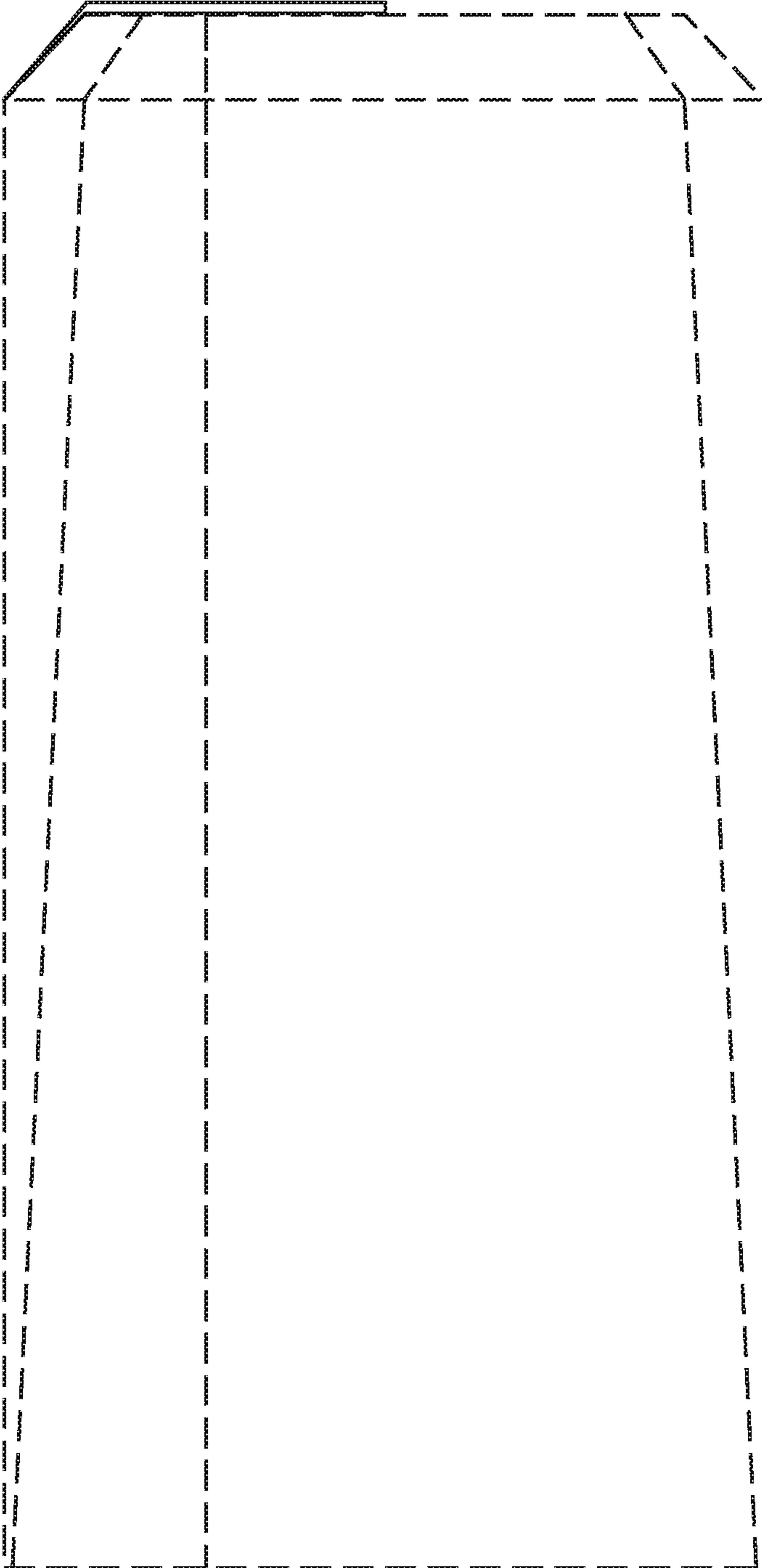


FIG. 4

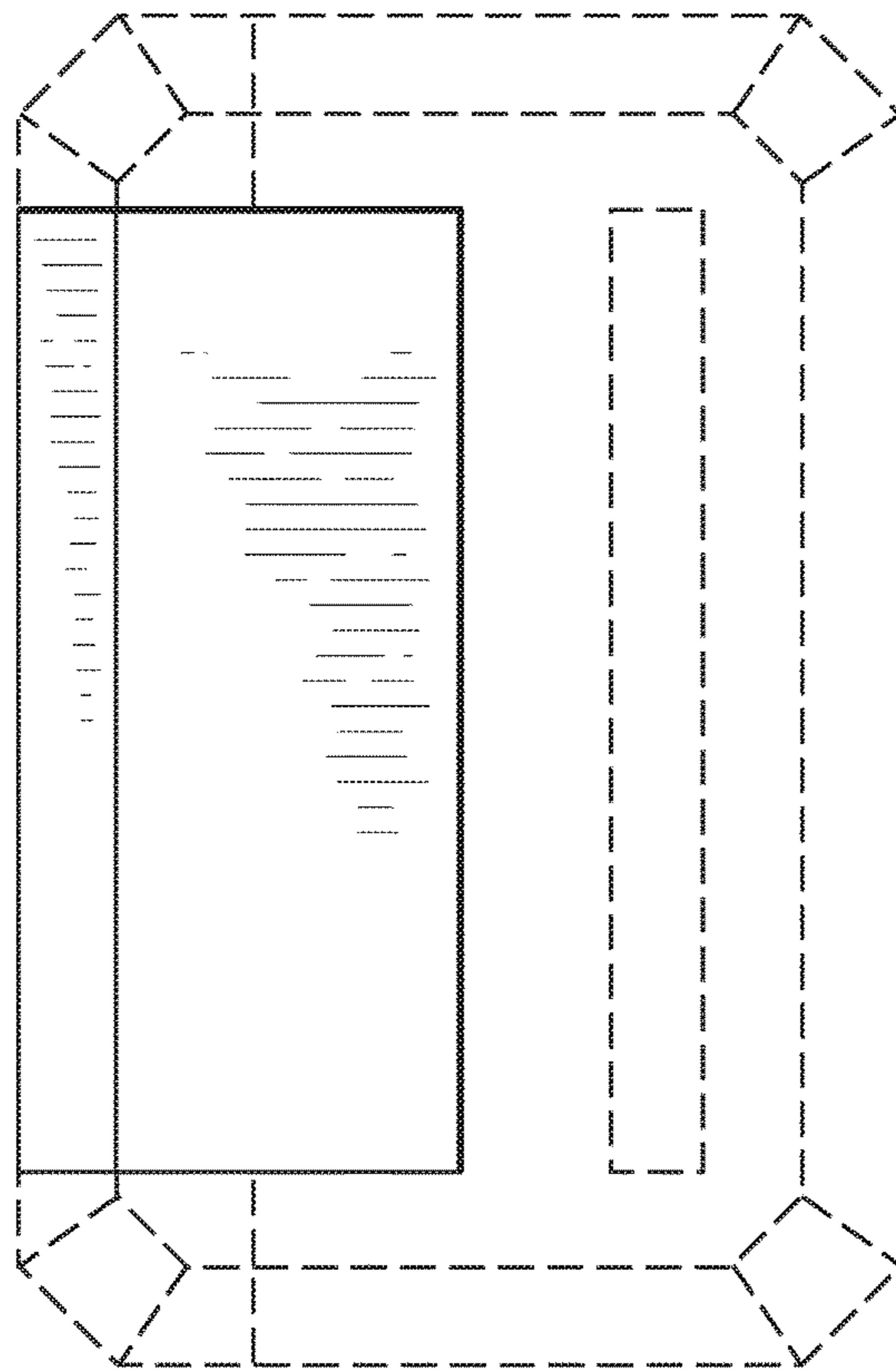


FIG. 5