



US00D796844S

(12) **United States Design Patent** (10) **Patent No.:** **US D796,844 S**
Morszeck (45) **Date of Patent:** **** Sep. 12, 2017**

(54) **SUITCASE**
(71) Applicant: **RIMOWA GmbH**, Cologne (DE)
(72) Inventor: **Dieter Morszeck**, Cologne (DE)
(73) Assignee: **RIMOWA GmbH**, Cologne (DE)
(**) Term: **14 Years**

D630,850 S * 1/2011 Gifford D3/279
D644,435 S * 9/2011 Weng D3/279
D676,237 S * 2/2013 Hansen D3/279
D703,433 S * 4/2014 Morszeck D3/247
D703,435 S * 4/2014 Wile D3/279
D714,057 S * 9/2014 Hou D3/279
D715,541 S * 10/2014 Morszeck D3/232
D720,534 S * 1/2015 Chehebar D3/279
D728,933 S * 5/2015 Sanz D3/279

(Continued)

(21) Appl. No.: **29/519,900**
(22) Filed: **Mar. 9, 2015**

(30) **Foreign Application Priority Data**

Oct. 31, 2014 (EP) 002569160
Dec. 15, 2014 (EP) 002597955

(51) **LOC (10) Cl.** **03-01**
(52) **U.S. Cl.**
USPC **D3/321**

(58) **Field of Classification Search**
USPC D3/273, 276, 279, 280, 281, 282, 283,
D3/288, 289, 318, 321; D12/163, 165;
D23/323, 330, 341, 354, 387, 418
CPC A45C 5/03; A45C 2005/032; A45C
2005/035; A45C 2055/037; A45C 5/04;
A45C 5/045; A45C 5/06; A45C 5/08;
A45C 5/14; A45C 5/141; A45C 5/146;
A45C 7/00; A45C 7/0018; A45C 7/0027;
A45C 7/0031; A45C 7/0036
See application file for complete search history.

(56) **References Cited**

U.S. PATENT DOCUMENTS

D354,166 S * 1/1995 Lin D3/276
D364,504 S * 11/1995 Bieber D3/276
D394,552 S * 5/1998 Melk D3/287
D455,551 S * 4/2002 Stephens D3/276
D459,579 S * 7/2002 Kegels D3/279
D601,802 S * 10/2009 Chu D3/321
D613,054 S * 4/2010 Morszeck D3/205

OTHER PUBLICATIONS

Salsa Air Mini Multiwheel by The Rimowa World posting date not
given; [visited site on Mar. 15, 2016]. Available from internet at:
<URL: <http://www.rimowa.com/en-us/salsa-air-mini-multiwheel-22l-ultra-violet-carry-on-luggage/820.42.22.4.html>>.*

(Continued)

Primary Examiner — Karen S Acker
Assistant Examiner — Wendy Arminio
(74) *Attorney, Agent, or Firm* — Maier & Maier, PLLC

(57) **CLAIM**

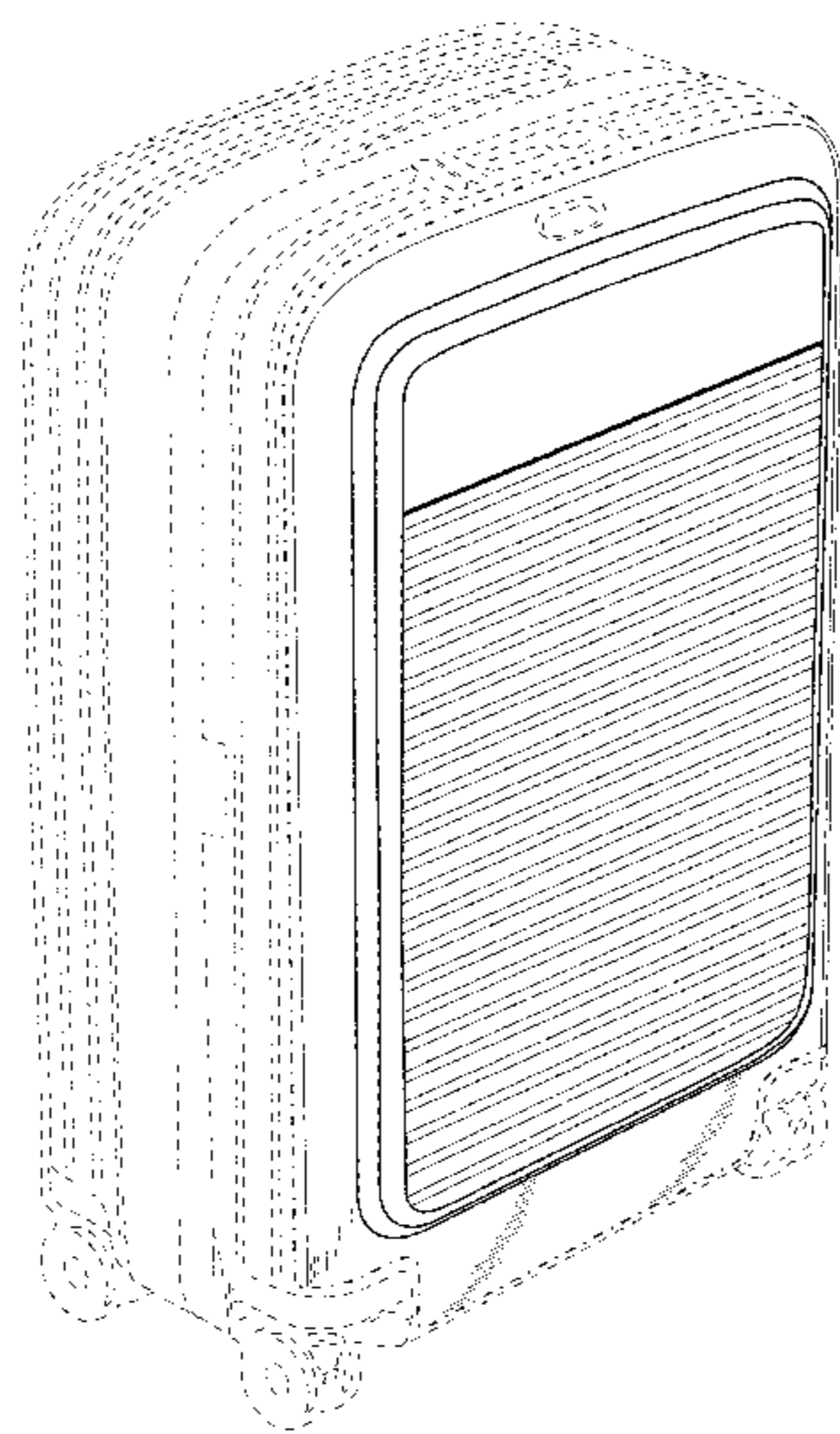
The ornamental design for a suitcase, as shown and
described.

DESCRIPTION

FIG. 1 is a front left perspective view of a suitcase, showing
my design;
FIG. 2 is a front view thereof;
FIG. 3 is a rear view thereof;
FIG. 4 is a right side view thereof;
FIG. 5 is a left side view thereof;
FIG. 6 is a top view thereof; and,
FIG. 7 is a bottom view thereof.

The dash-dash broken lines illustrate portions of the suitcase
that form no part of the claimed design. The dash-dot-dash
broken lines represent the boundaries of the claim that form
no part of the claimed design.

1 Claim, 6 Drawing Sheets



(56)

References Cited

U.S. PATENT DOCUMENTS

D742,637 S * 11/2015 Miles D3/274
2006/0201764 A1* 9/2006 Morszeck A45C 5/02
190/125
2010/0101971 A1* 4/2010 Chisholm A45C 5/03
206/526
2011/0155526 A1* 6/2011 Cheng A45C 5/14
190/18 A

OTHER PUBLICATIONS

Salsa Air Welter zur Kollektion Rimowa Shop by Rimowa Shop
posted on web.archive.org on Apr. 15, 2013, available from Internet
at:<URL: <http://web.archive.org/web/20130415094359/https://rimowa-shop.ch/html>>.*

Samsonite Ultimocabine Upright 50 CM posted by SusMaletas.
com; posting date not given;[site visited on Mar. 8, 2016] Available
from internet at: <URL:https://www.susmaletas.com/en/samsonite_ultimocabin_upright_50_cm.php.html>.*

* cited by examiner

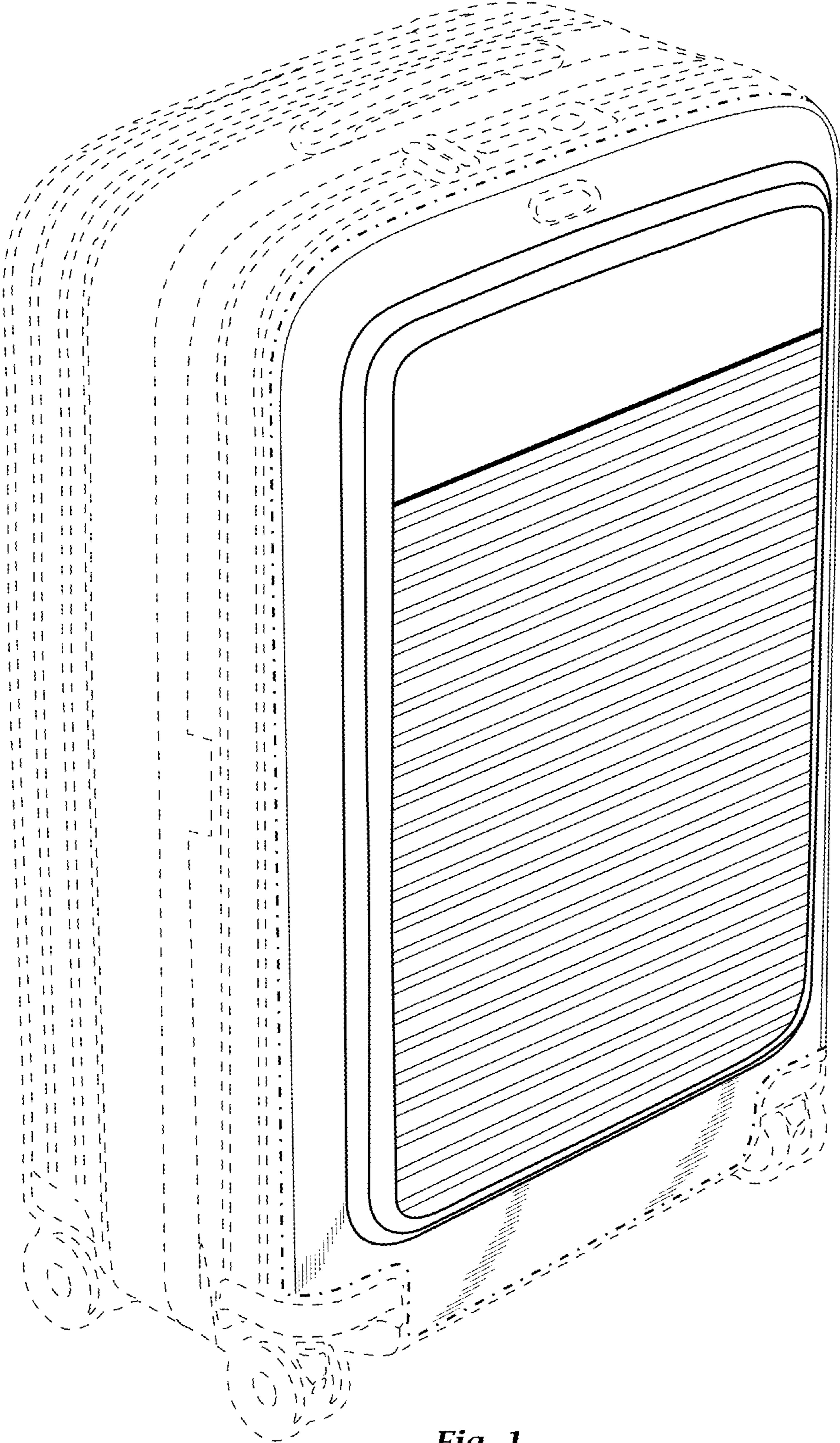


Fig. 1



Fig. 2

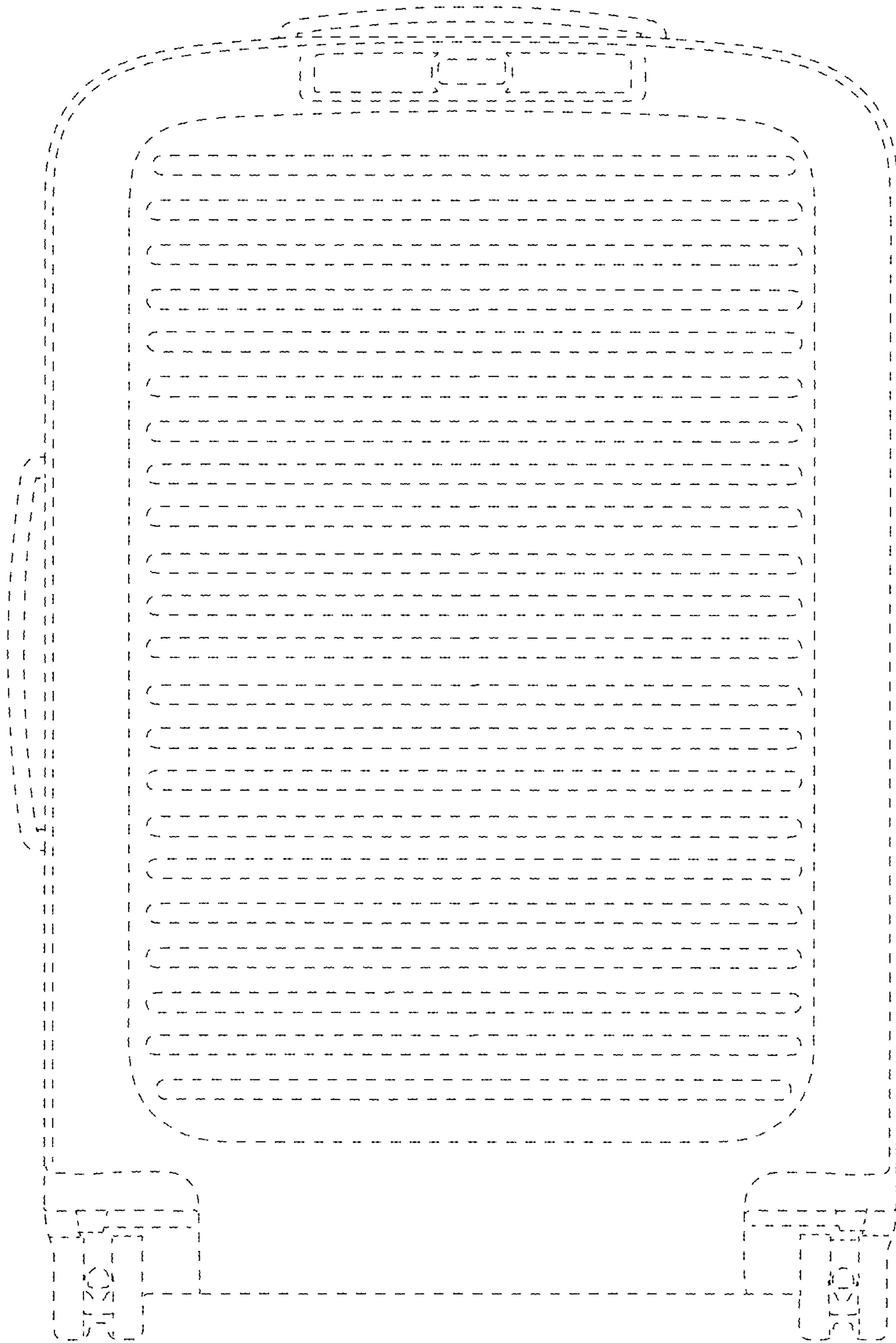


Fig. 3

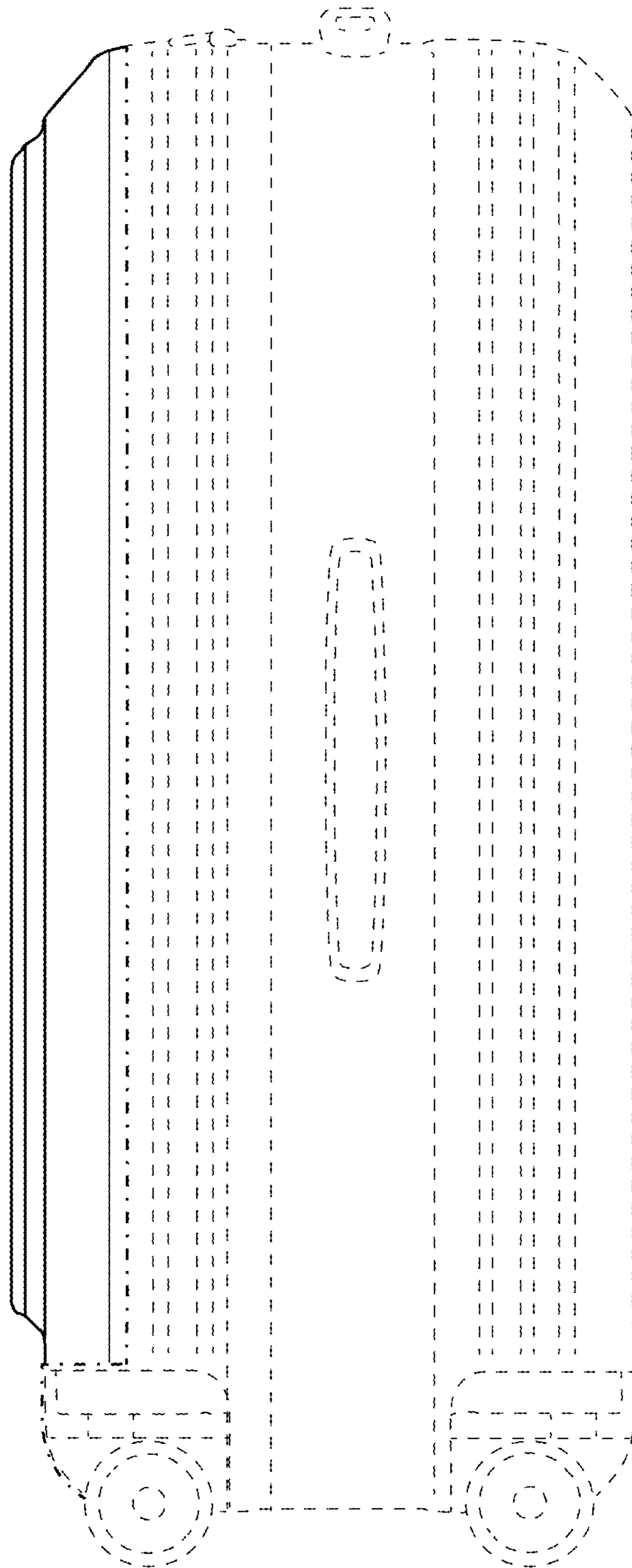


Fig. 4

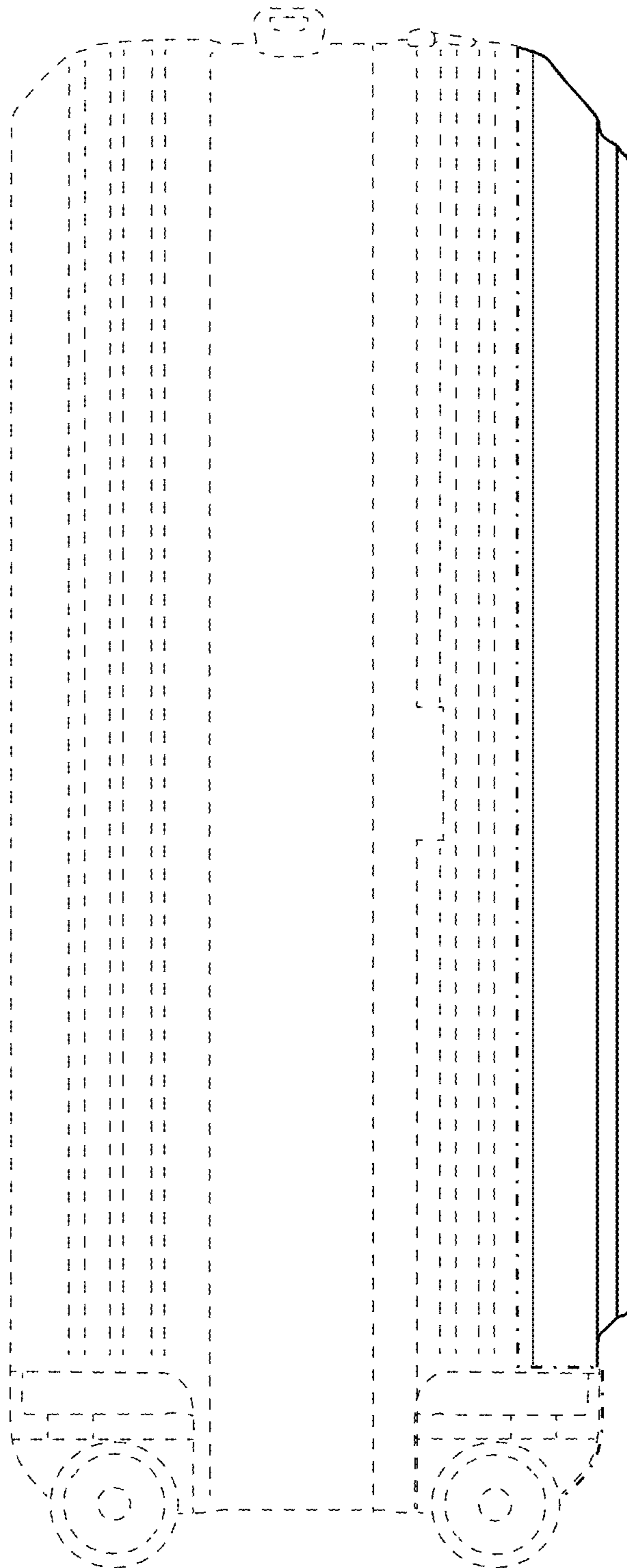


Fig. 5

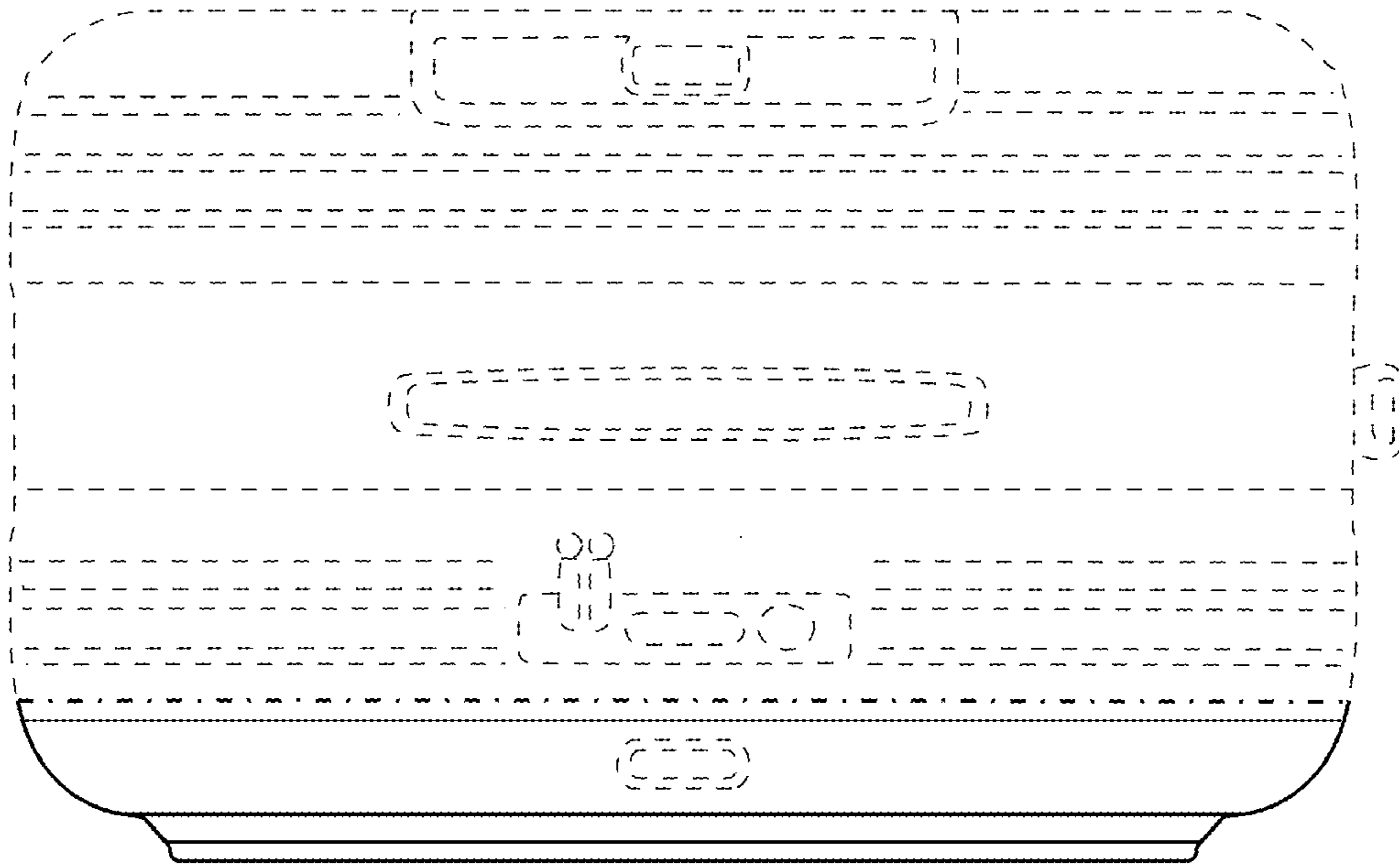


Fig. 6

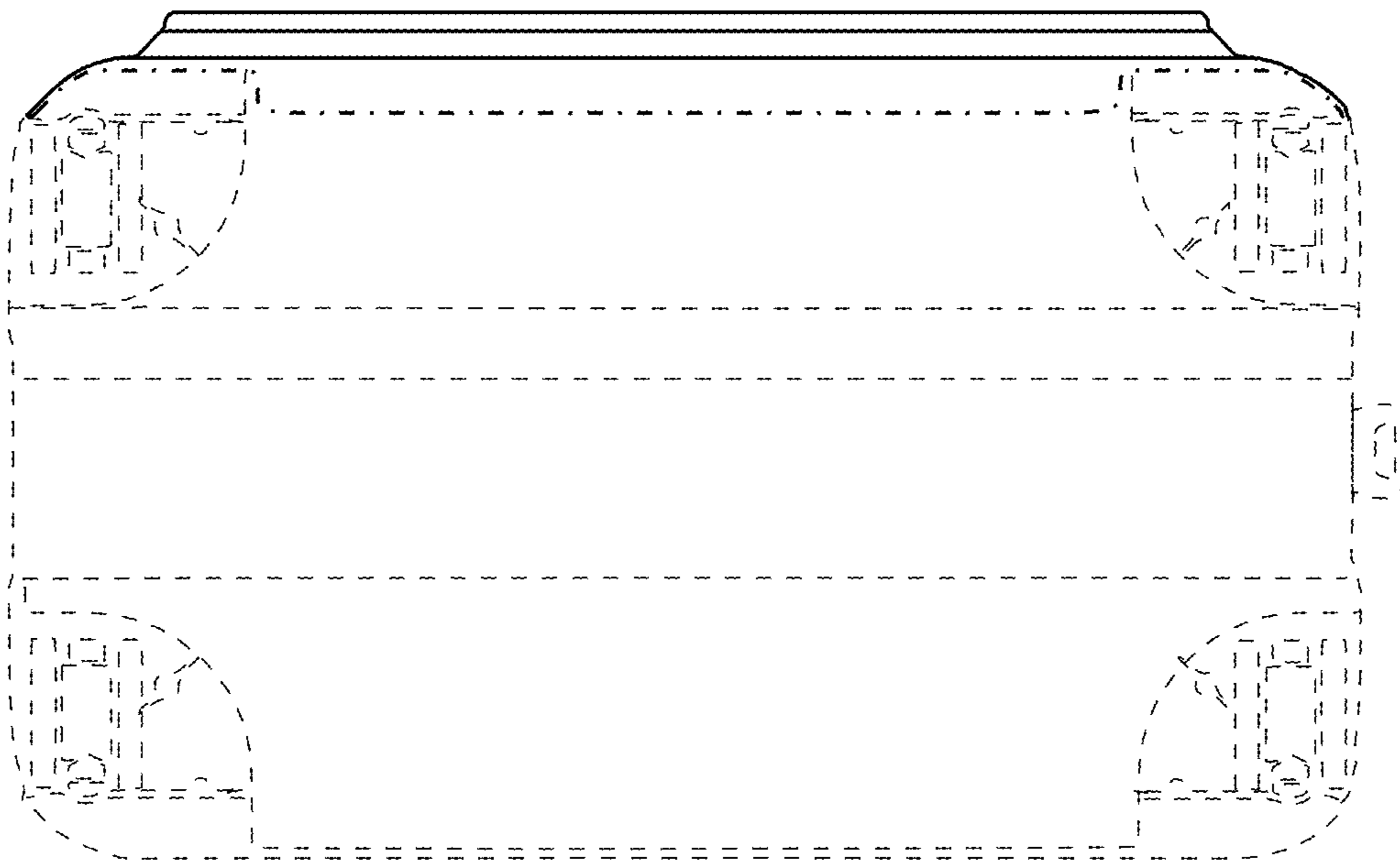


Fig. 7