



US00D796843S

(12) **United States Design Patent** (10) **Patent No.:** **US D796,843 S**
Connor (45) **Date of Patent:** **** Sep. 12, 2017**

(54) **CARRYING CASE**

(71) Applicant: **Christopher Connor**, Winter Park, FL (US)

(72) Inventor: **Christopher Connor**, Winter Park, FL (US)

(**) Term: **15 Years**

(21) Appl. No.: **29/559,973**

(22) Filed: **Apr. 1, 2016**

(51) **LOC (10) Cl.** **03-01**

(52) **U.S. Cl.**
USPC **D3/285; D3/902**

(58) **Field of Classification Search**
USPC D3/201, 203.6, 203.7, 205, 206, 232, D3/242, 273, 276, 272, 285, 286, 289, D3/290, 292, 294, 301, 303, 244, 245, D3/246, 231, 302, 243, 216, 217, 262; D6/629
CPC .. A45C 3/00; A45C 3/001; A45C 3/02; A45C 5/03; A45C 2005/032; A45C 2005/035; A45C 2005/037; A45C 2011/002; A45C 2011/003

See application file for complete search history.

(56) **References Cited**

U.S. PATENT DOCUMENTS

- 5,437,367 A * 8/1995 Martin A45C 5/14 190/107
- D412,616 S * 8/1999 Livingston D3/276
- 6,183,133 B1 * 2/2001 Roegner A45C 3/00 150/113
- D441,190 S * 5/2001 Eskandry D3/216
- D455,005 S * 4/2002 Wolf D3/205
- D518,956 S * 4/2006 Van Himbeeck D3/289
- D591,046 S * 4/2009 Lee D3/285
- D658,363 S * 5/2012 Biddle D3/217
- D659,998 S * 5/2012 Austin D3/301

- 8,887,902 B1 * 11/2014 Liu G06F 1/1628 206/320
- D740,019 S * 10/2015 Hynek D3/205
- 2009/0229936 A1 * 9/2009 Cuong A45C 5/03 190/107
- 2016/0198819 A1 * 7/2016 Grund A45C 5/005 132/288

OTHER PUBLICATIONS

Amazon.com. "Heavy Duty Travel Case—Hartschalentasche fur GPS." First reviewed Aug. 3, 2015. Retrieved Nov. 30, 2016. (https://www.amazon.com/HeavyDutyTravelcaseHartschalentasche/dp/B007Z6W96K/ref=sr_1_28?ie=UTF8&qid=1480543769&sr=828&keywords=case+tomtom).*

(Continued)

Primary Examiner — Jennifer Rivard
Assistant Examiner — Jerry Hsu
(74) *Attorney, Agent, or Firm* — Jason T. Daniel, Esq.; Daniel Law Offices, P.A.

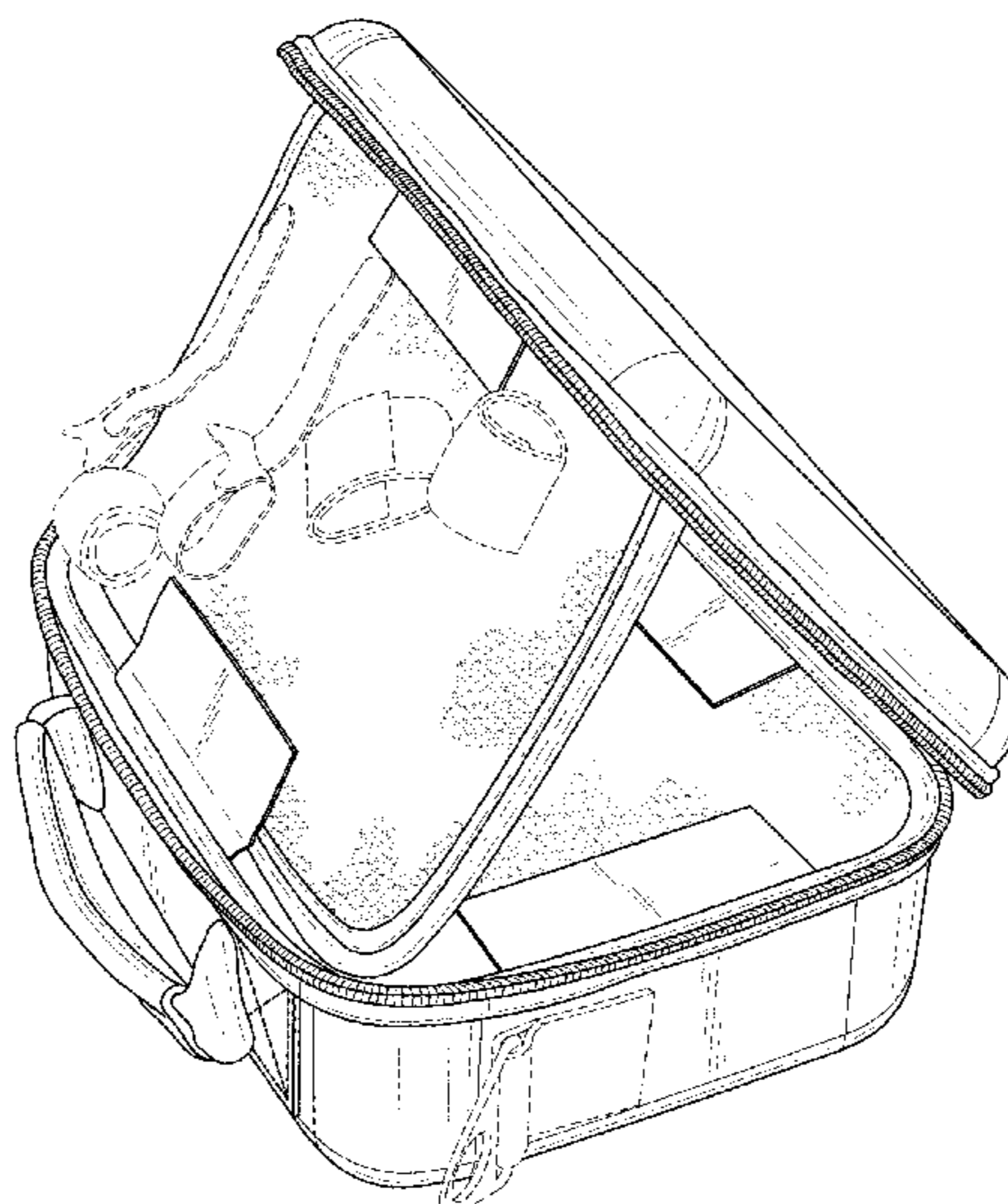
(57) **CLAIM**

The ornamental design for a carrying case, as shown and described.

DESCRIPTION

FIG. 1 is a perspective view thereof, FIG. 2 is a front side view thereof, FIG. 3 is a left side view thereof, FIG. 4 is a right side view thereof, FIG. 5 is a back side view thereof, FIG. 6 is a top side view thereof; and, FIG. 7 is a perspective view thereof in an open position. In the drawings, the broken lines depicting the shoulder strap hooks and stitching on the handle illustrate portions of the carrying case. The remaining broken lines illustrate environment. None of the broken lines forms part of the claimed design.

1 Claim, 7 Drawing Sheets



(56)

References Cited

OTHER PUBLICATIONS

Ebay.com. "Rigid Case for TomTom via Live 125 & Start 25 in Strong Black EVA with pocket." First reviewed Nov. 30, 2016. Retrieved Nov. 30, 2016. (http://www.ebay.co.uk/itm/RigidCaseForTomTomViaLIVE125Start25InStrongBlackEVAWithPocket/390993128289?clk_rvr_id=1132306379758&rmvSB=true).*

Apartment Therapy. "The Best of Rugged Protection Laptop Cases." First Uploaded Dec. 3, 2010. Retrieved Nov. 30, 2016. (<http://www.apartmenttherapy.com/hardcorelaptopcases130568>).*

* cited by examiner

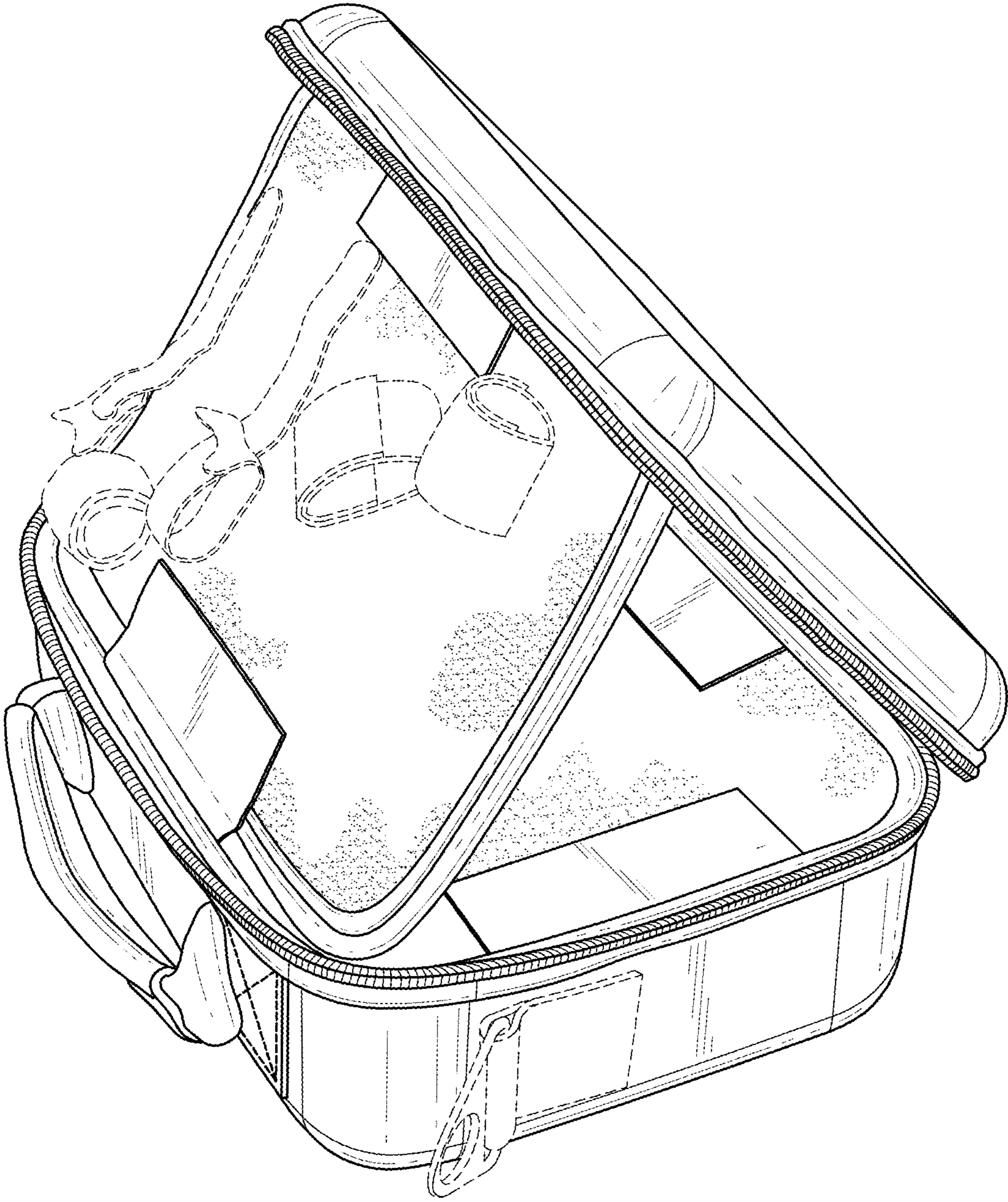


FIG. 1

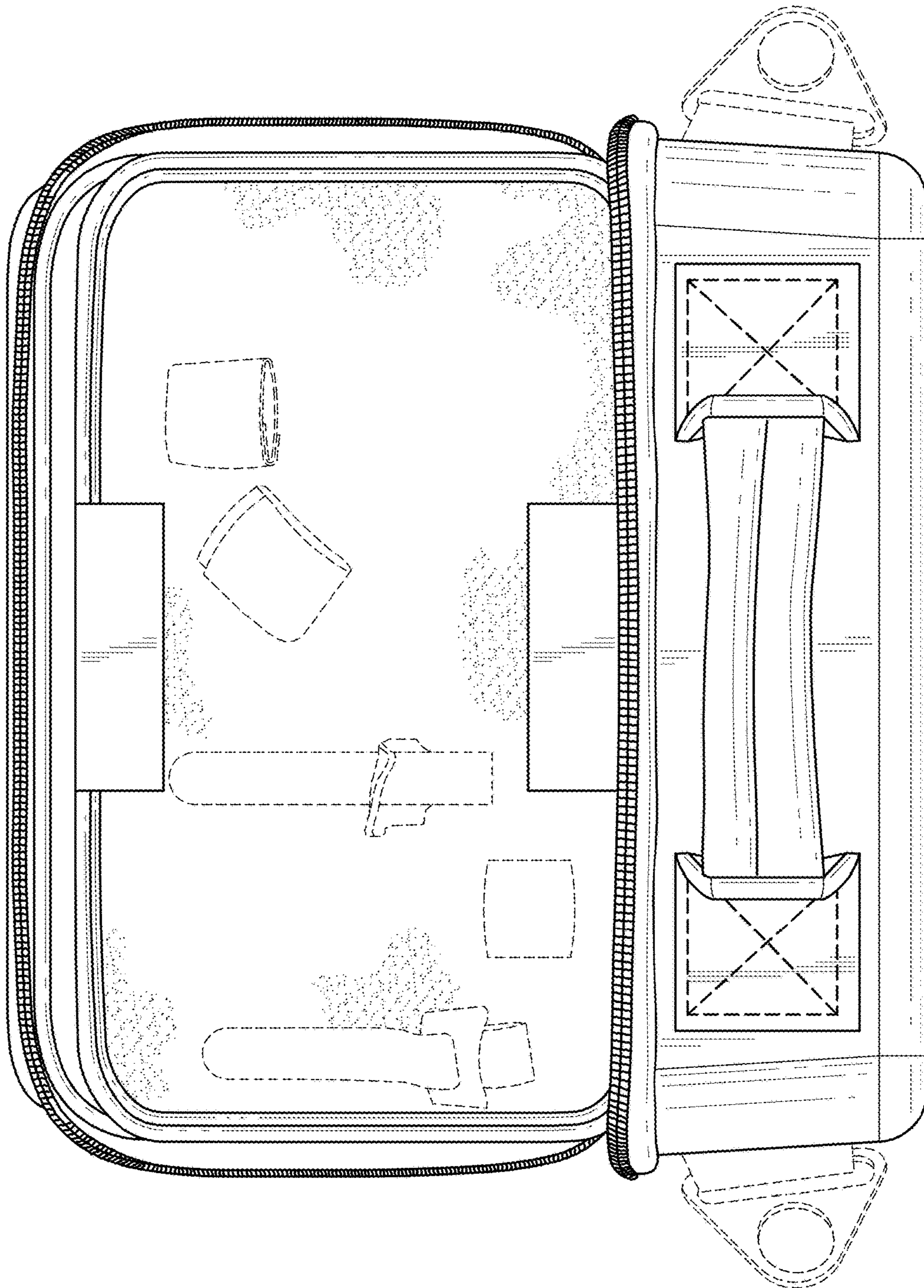


FIG. 2

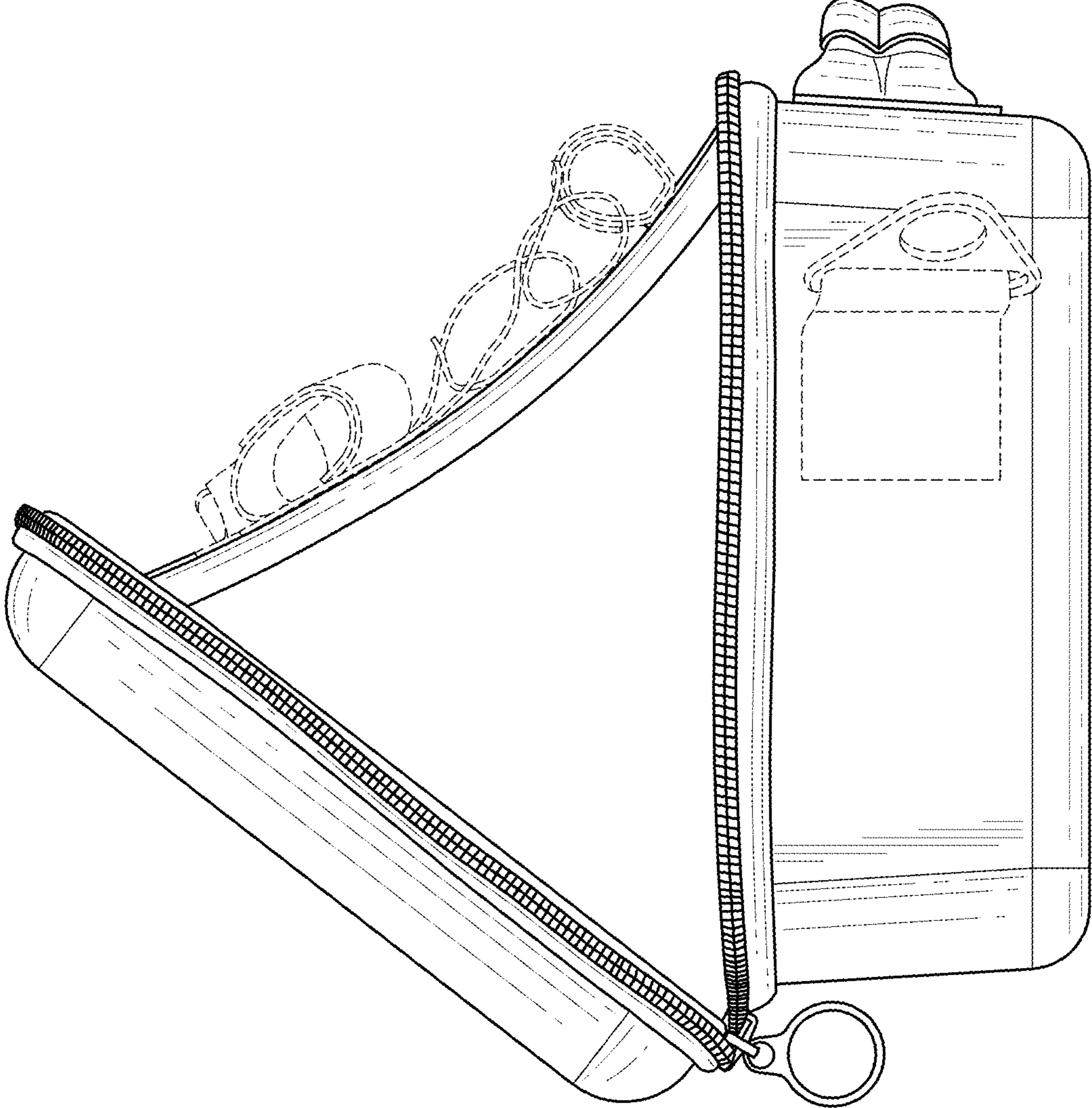


FIG. 3

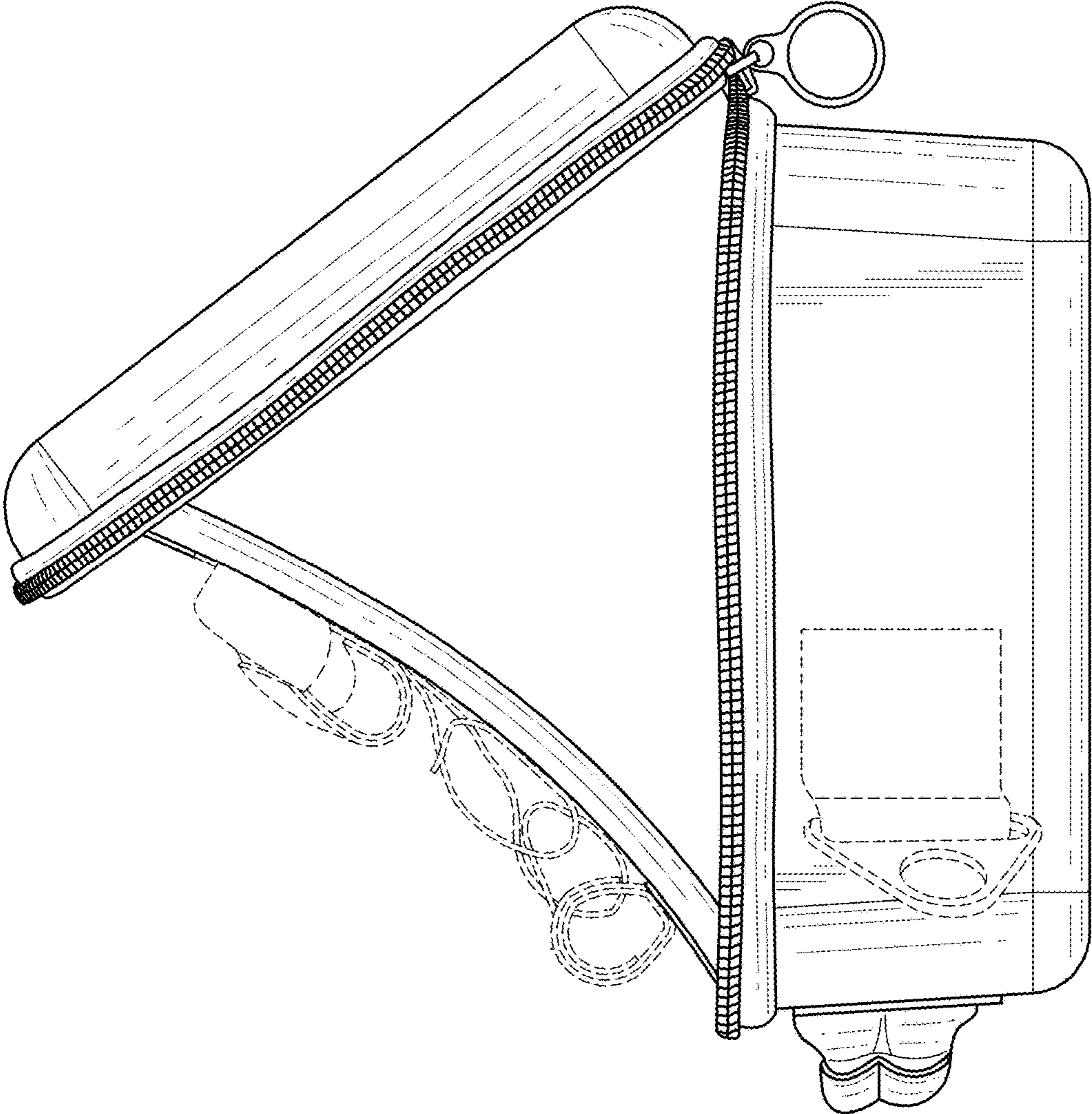


FIG. 4

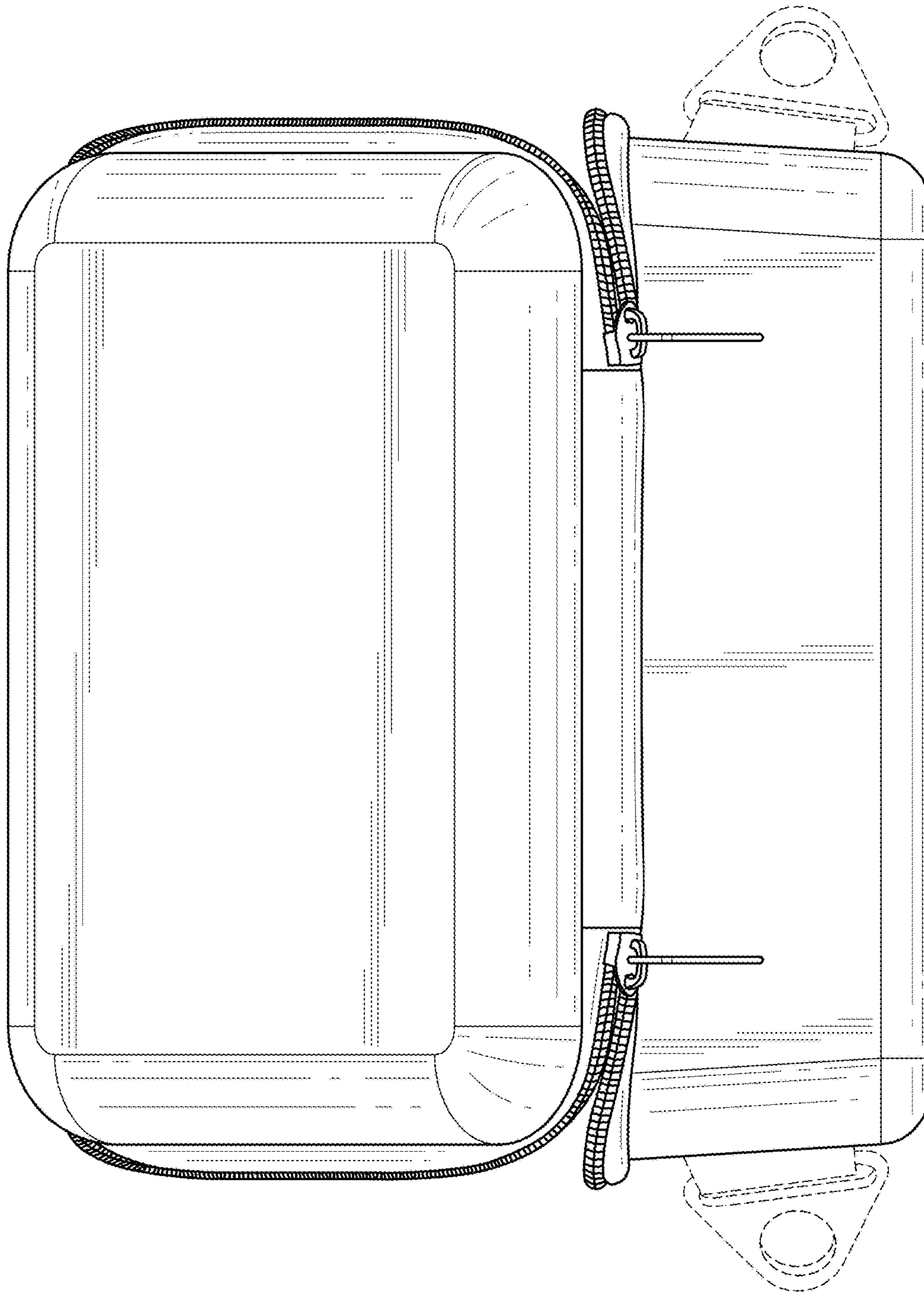


FIG. 5

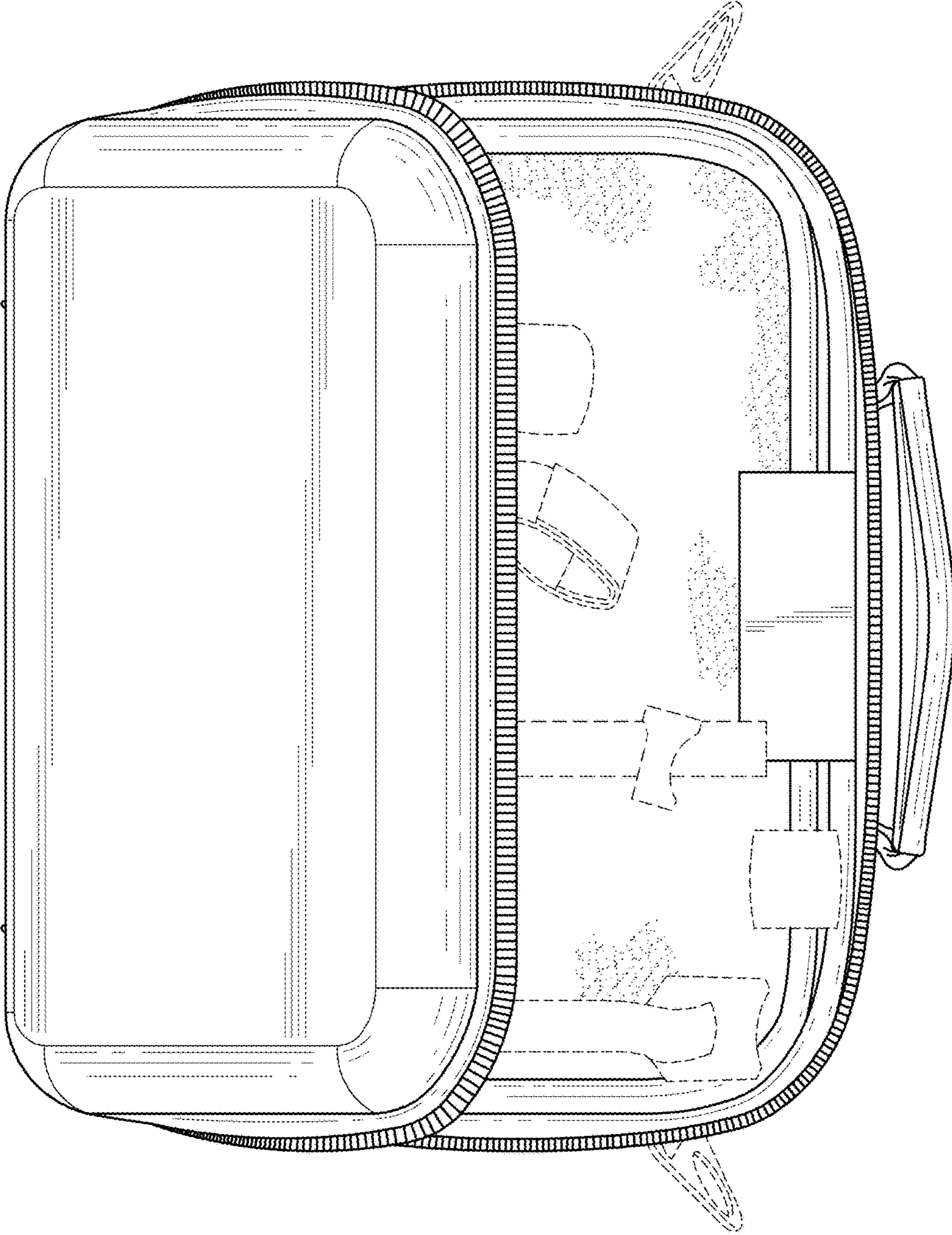


FIG. 6

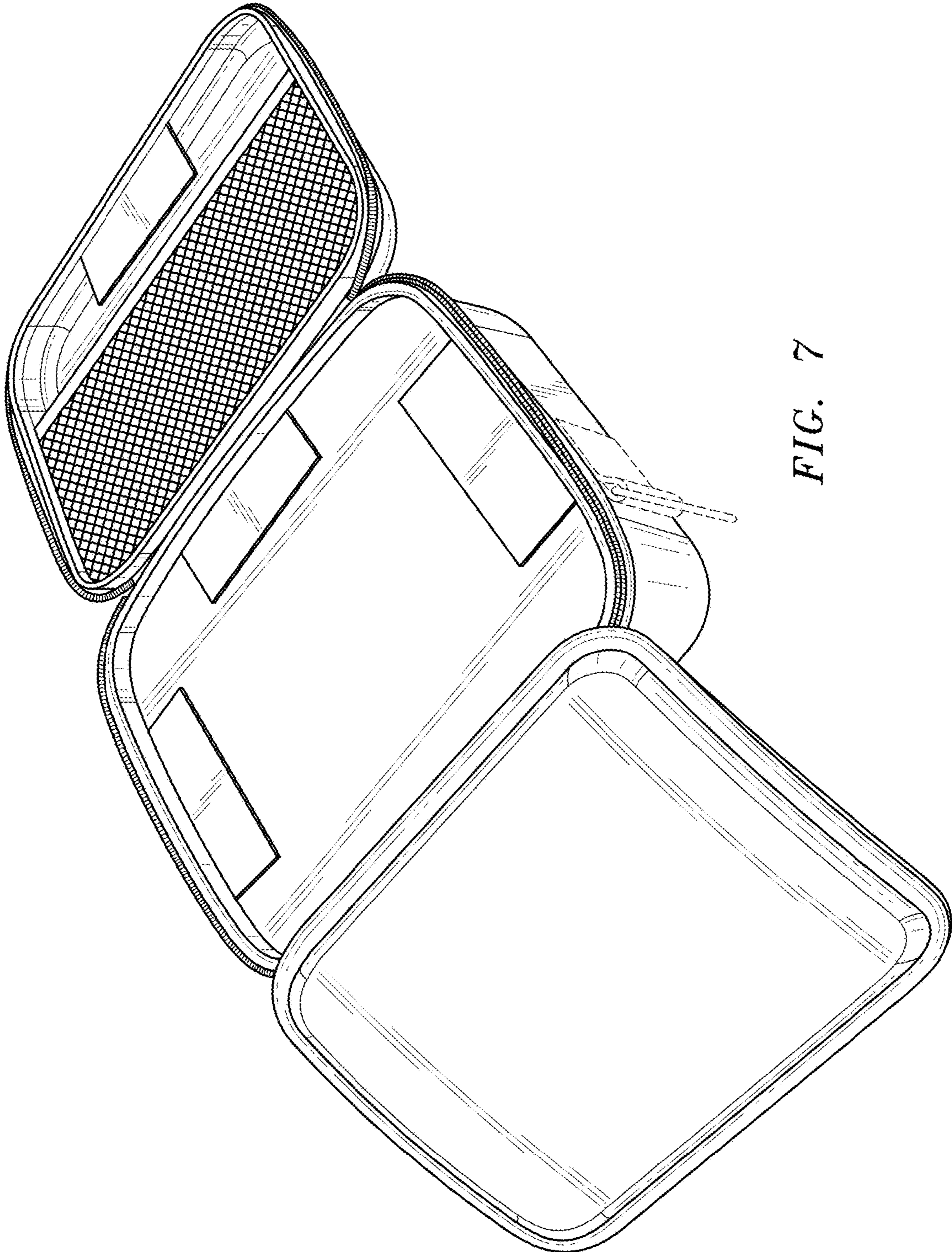


FIG. 7