

US00D796842S

(12) **United States Design Patent**
Schartle

(10) **Patent No.:** **US D796,842 S**
(45) **Date of Patent:** **** Sep. 12, 2017**

(54) **MULTI-BLUEPRINT ARCHITECTURAL DRAWINGS CASE**

(71) Applicant: **Allen Christopher Schartle**, Bremen, GA (US)

(72) Inventor: **Allen Christopher Schartle**, Bremen, GA (US)

(**) Term: **15 Years**

(21) Appl. No.: **29/545,571**

(22) Filed: **Nov. 13, 2015**

(51) **LOC (10) Cl.** **03-01**

(52) **U.S. Cl.**

USPC **D3/285; D3/289**

(58) **Field of Classification Search**

USPC D3/212, 225, 226, 227, 230, 255, 259, D3/276, 272, 273, 283, 284, 285, 286, D3/287, 289, 290, 294, 295, 300, 301, D3/303, 304, 312, 313, 315, 900, 901, D3/903, 904, 905, 254, 260, 233, 204, D3/262; D7/607, 603, 701; D19/102, D19/106, 107, 86

CPC A47B 63/00; A47B 63/02; A47B 63/06; B65D 1/00; B65D 1/22; B65D 1/24; B65D 1/30; B65D 5/48; A45C 11/08; A45C 11/16; A45C 11/20; A45C 11/24; A45C 11/26; A45C 11/36; A45C 11/38; A45C 3/007; A45C 3/00; A45C 3/02; A45C 3/04; A45C 3/12; A45C 2003/002; A45C 2003/007; A45C 2003/008; A45C 2005/032; A45C 2005/035; A45C 2005/037; A45C 5/00; A45C 5/04; A45C 5/06; A45C 7/0077

See application file for complete search history.

(56) **References Cited**

U.S. PATENT DOCUMENTS

3,186,529 A * 6/1965 Gilbert A45C 13/02 190/35
3,242,960 A * 3/1966 Schwartzman A47B 43/02 190/113
3,321,259 A * 5/1967 Fiterman A47B 63/02 312/259
3,912,055 A 10/1975 Malooly

(Continued)

OTHER PUBLICATIONS

Amazon. "Adir Corrugated Cardboard 16 Roll File." First reviewed Dec. 11, 2012. Retrieved Sep. 26, 2016. (<https://www.amazon.com/Adir%C2%ADCorrugated%C2%ADCardboard%C2%ADUp-right%C2%ADStorage/dp/B007VF9JXQ/>).*

(Continued)

Primary Examiner — Jennifer Rivard

Assistant Examiner — Jerry Hsu

(74) *Attorney, Agent, or Firm* — Jones IP Law, LLC; Dennis W. Jones

(57) **CLAIM**

The ornamental design for a multi-blueprint architectural drawings case, as shown and described.

DESCRIPTION

FIG. 1 is a top plan view a multi-blueprint architectural drawings case;

FIG. 2 is a top plan view a multi-blueprint architectural drawings case with an open lid;

FIG. 3 is a front elevation view thereof;

FIG. 4 is a bottom (base) plan view thereof;

FIG. 5 is a left side elevation view;

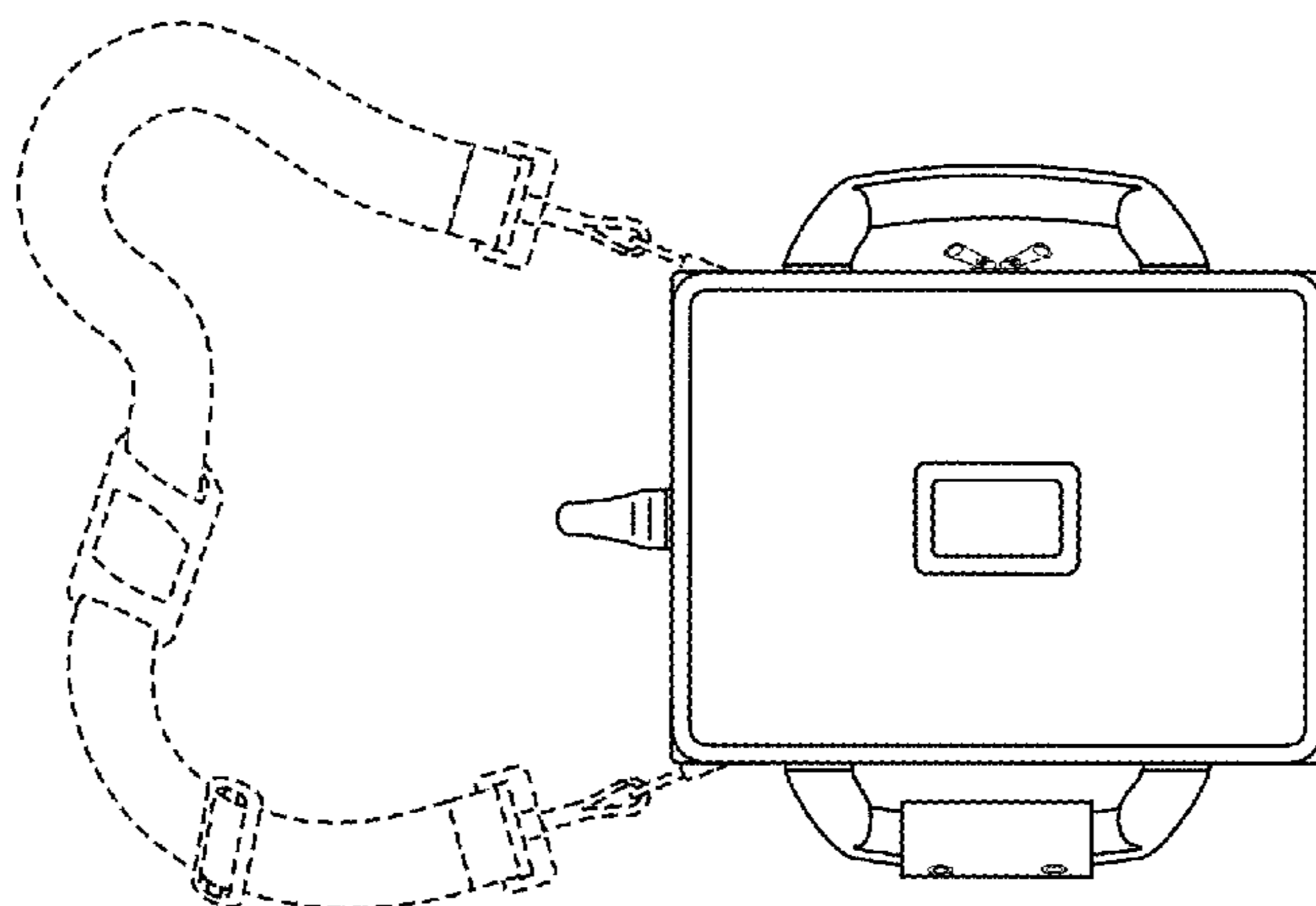
FIG. 6 is a rear elevation view thereof rotated on the right side; and,

FIG. 7 is a right side elevation view thereof.

The broken lines illustrate the shoulder strap of the multi-blueprint architectural drawings case and form no part of the claim.

The dash-dot broken lines illustrate the bounds of the claim and form no part thereof.

1 Claim, 4 Drawing Sheets



(56)

References Cited

U.S. PATENT DOCUMENTS

4,984,662 A * 1/1991 Jacober A45C 7/0077
190/107
5,005,679 A * 4/1991 Hjelle A45C 3/00
150/106
5,042,664 A * 8/1991 Shyr A45C 3/00
190/109
D393,946 S * 5/1998 Borgstrom D3/276
5,996,749 A 12/1999 Hillsberg
6,305,587 B1 10/2001 Miller
6,604,897 B2 * 8/2003 Yeomans B65D 90/0073
108/51.11
8,522,939 B2 9/2013 Rowe
2003/0222129 A1 * 12/2003 Williams B65D 5/48004
229/120.31
2006/0137949 A1 * 6/2006 Levinson A45C 5/14
190/18 A

2007/0000796 A1 * 1/2007 Kameoka A45C 3/12
206/278
2009/0173646 A1 * 7/2009 Blomberg A45C 3/04
206/139
2014/0246427 A1 * 9/2014 Tucker B65D 25/2873
220/23.87

OTHER PUBLICATIONS

Amazon. "Safco 3094 Tube-Stor Roll Files." First reviewed Apr. 21, 2016. Retrieved Sep. 26, 2016. (<https://www.amazon.com/Safco%AD3094%ADTube%ADStor%ADFiles%ADFiberboard/dp/B001MS6VW0/>).*
Amazon. "Safco Products 4960 Steel Roll File Horizontal Storage Cabinet." First reviewed Jun. 15, 2015. Retrieved Sep. 26, 2016. (<https://www.amazon.com/Safco%C2%ADProducts-%C2%AD4960%C2%ADHorizontal%C2%ADStorage/dp/B00355416G/>).*

* cited by examiner

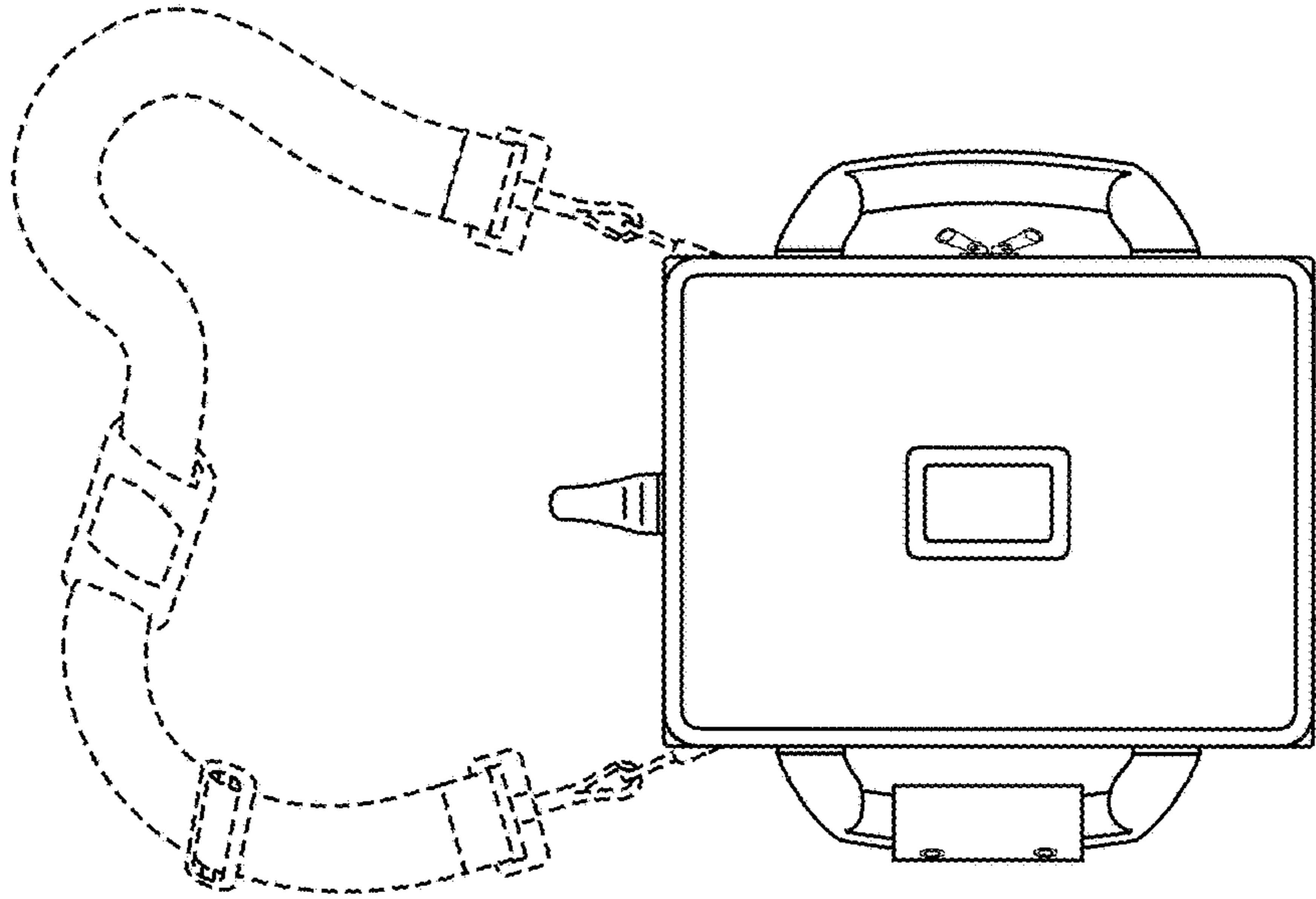


Fig. 1

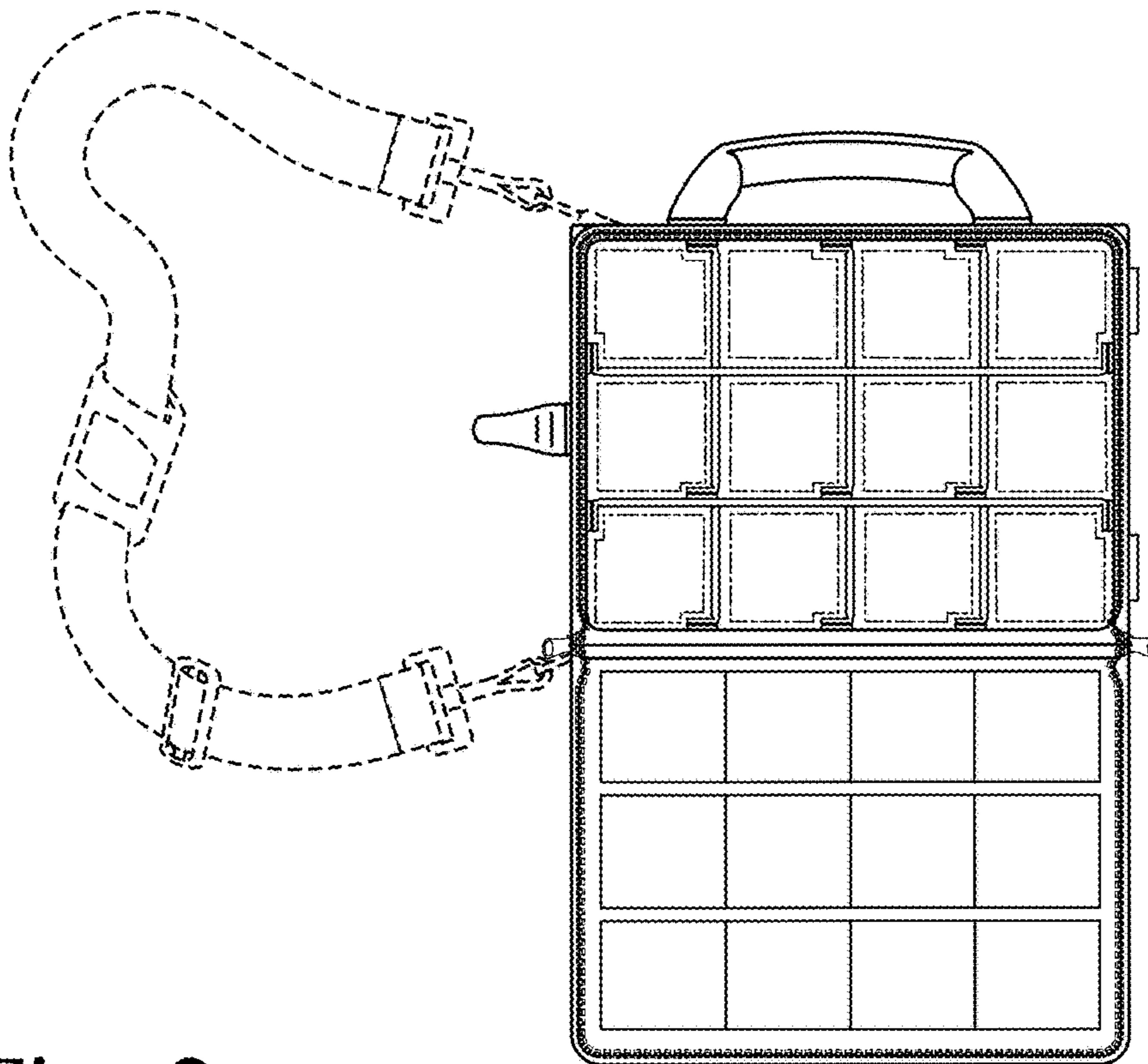


Fig. 2

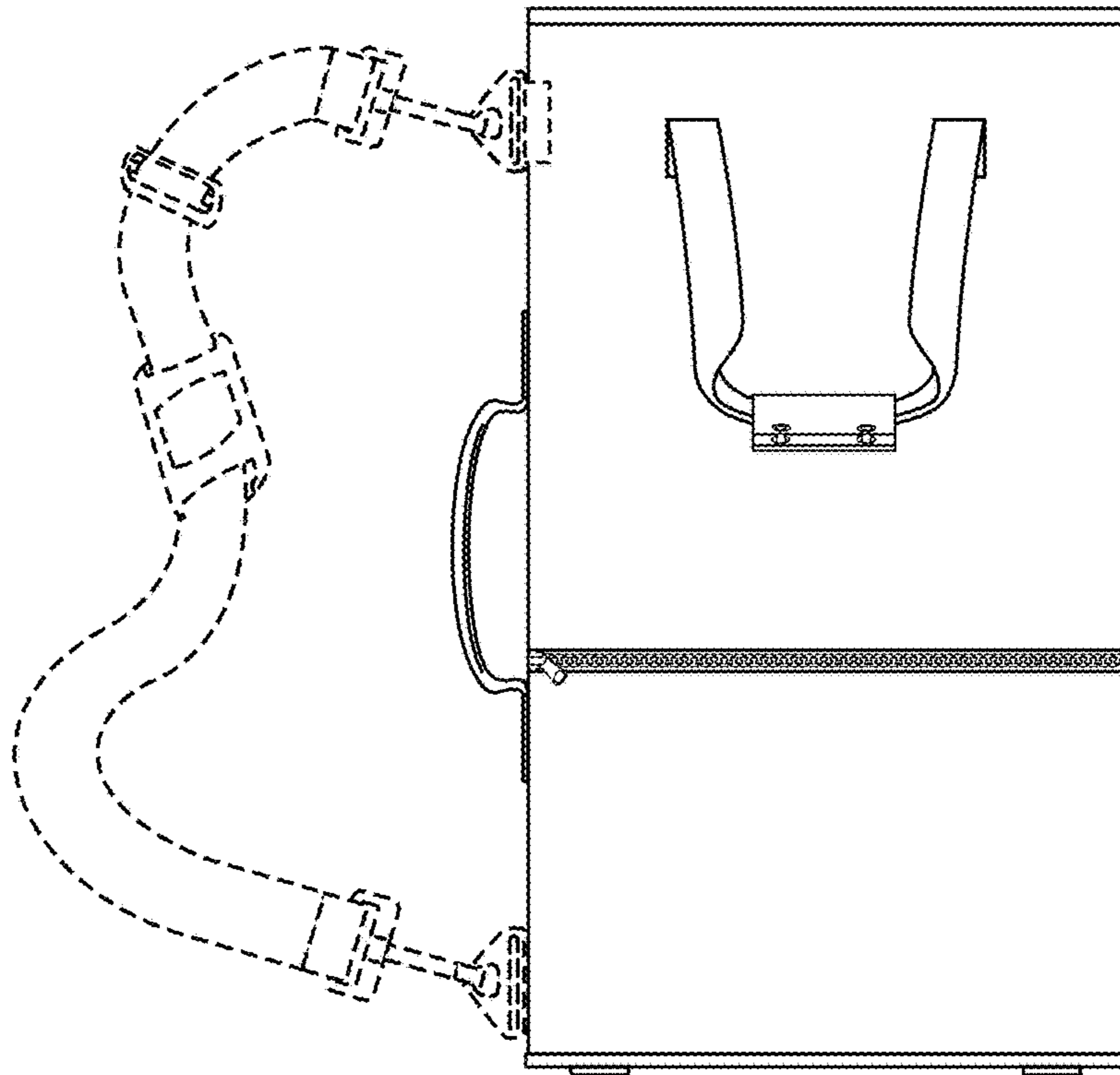


Fig. 3

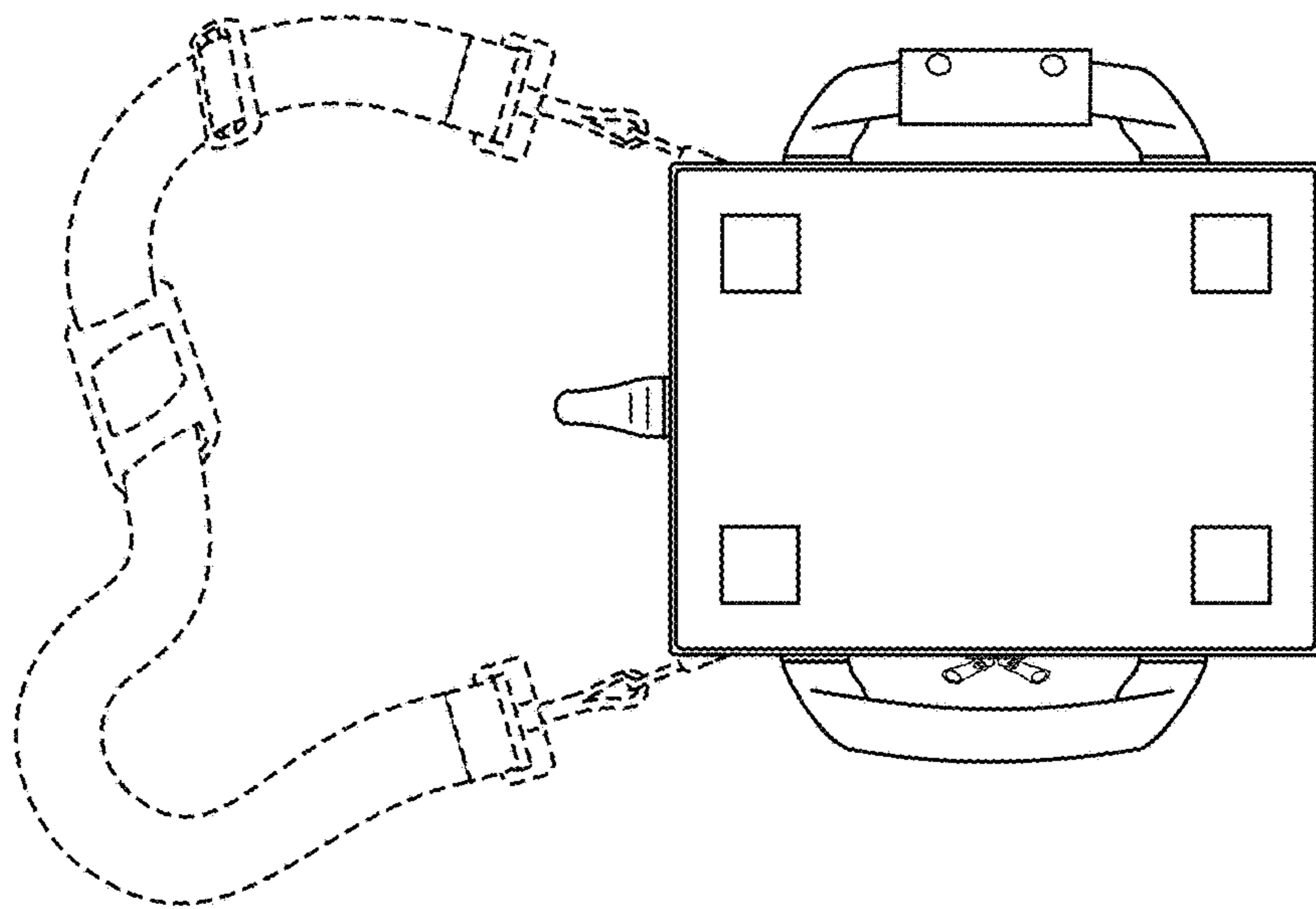


Fig. 4

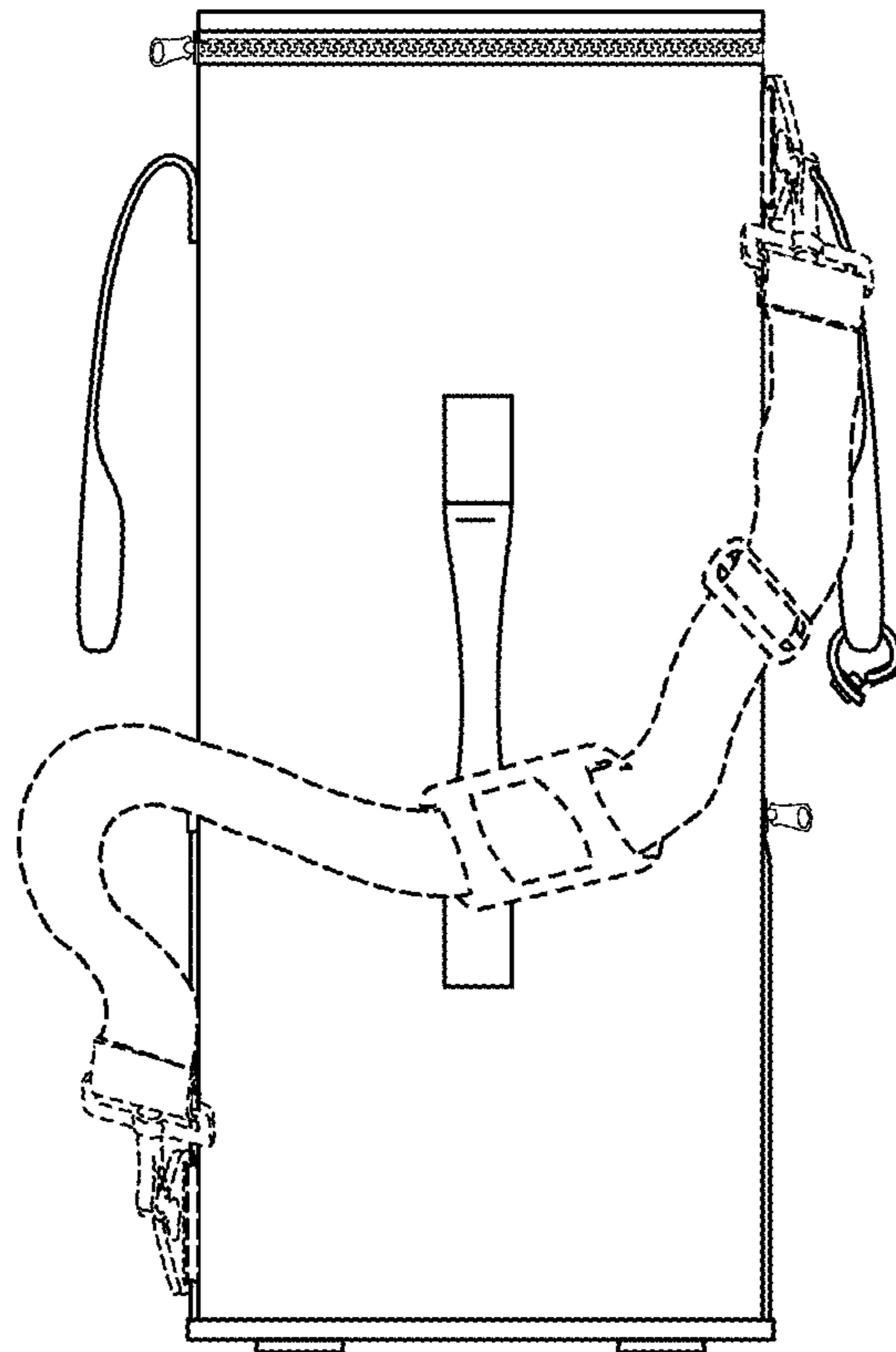


Fig. 5

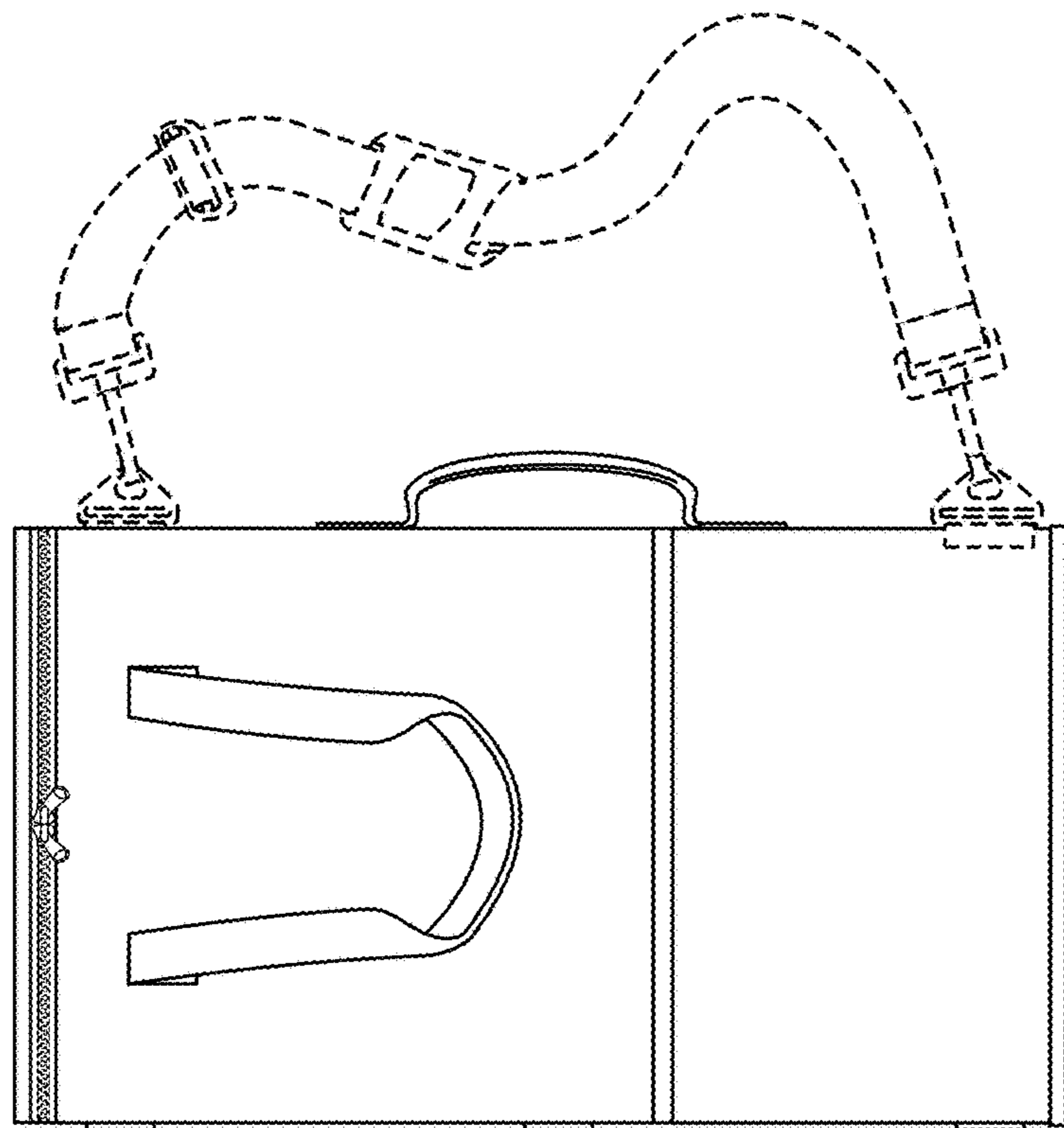


Fig. 6

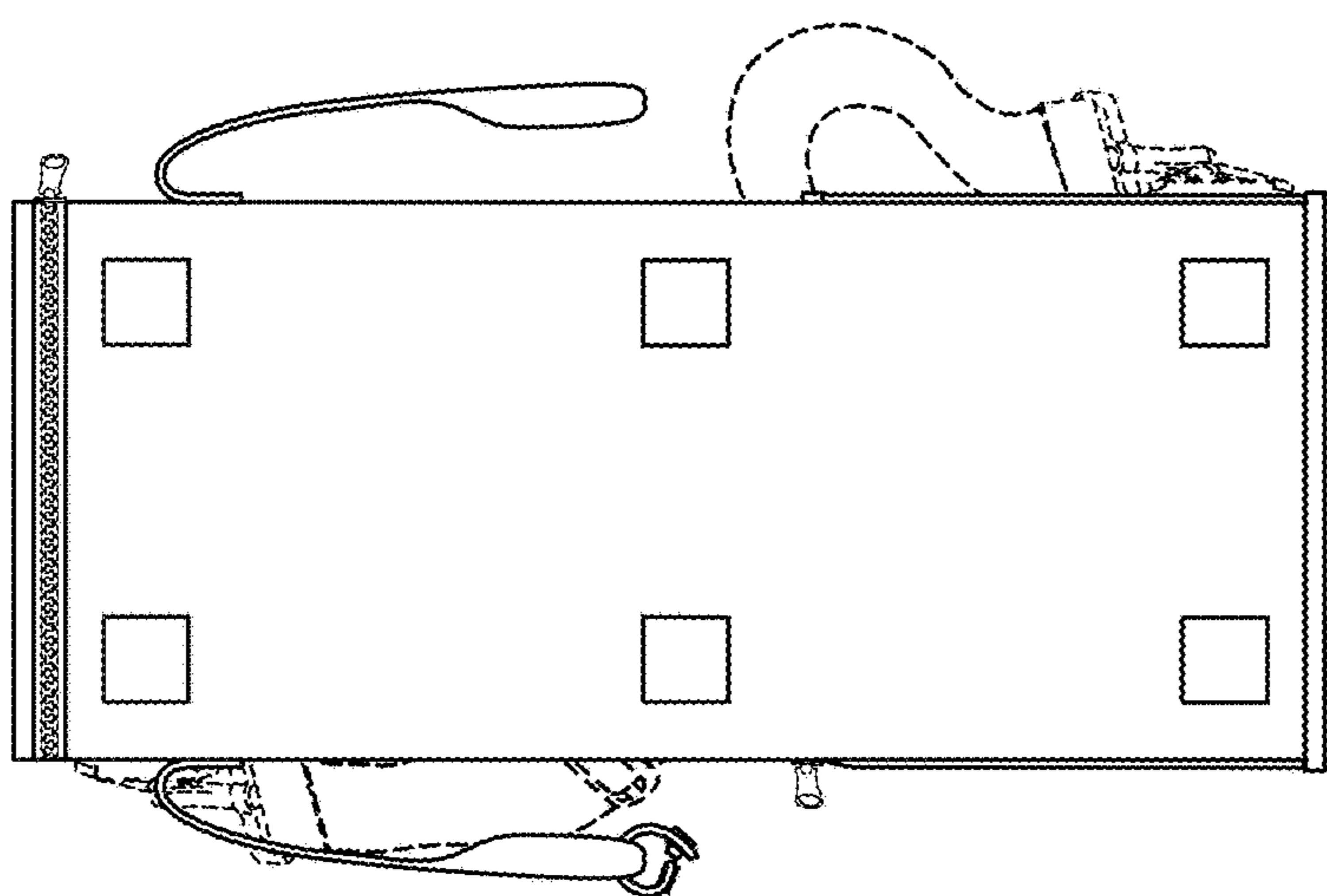


Fig. 7