



US00D796841S

(12) **United States Design Patent** (10) **Patent No.:** **US D796,841 S**
Schartle (45) **Date of Patent:** **** Sep. 12, 2017**

(54) **TRAVEL BLUEPRINT ARCHITECTURAL DRAWINGS CASE**
(71) Applicant: **Allen Christopher Schartle**, Bremen, GA (US)
(72) Inventor: **Allen Christopher Schartle**, Bremen, GA (US)
(**) Term: **15 Years**
(21) Appl. No.: **29/545,569**
(22) Filed: **Nov. 13, 2015**
(51) **LOC (10) Cl.** **03-01**
(52) **U.S. Cl.**
USPC **D3/285; D3/289**
(58) **Field of Classification Search**
USPC D3/212, 225, 226, 227, 230, 255, 259, D3/276, 272, 273, 283, 284, 285, 286, D3/287, 289, 290, 294, 295, 300, 301, D3/303, 304, 312, 313, 315, 900, 901, D3/903, 904, 905, 254, 260, 233, 204, D3/262; D7/607, 603, 701; D19/102, D19/106, 107, 86
CPC A47B 63/00; A47B 63/02; A47B 63/06; B65D 1/00; B65D 1/22; B65D 1/24; B65D 1/30; B65D 5/48; A45C 11/08; A45C 11/16; A45C 11/20; A45C 11/24; A45C 11/26; A45C 11/36; A45C 11/38; A45C 3/001; A45C 3/00; A45C 3/02; A45C 3/04; A45C 3/12; A45C 2003/002; A45C 2003/007; A45C 2003/008; A45C 2005/032; A45C 2005/035; A45C 2005/037; A45C 5/00; A45C 5/04; A45C 5/06
See application file for complete search history.

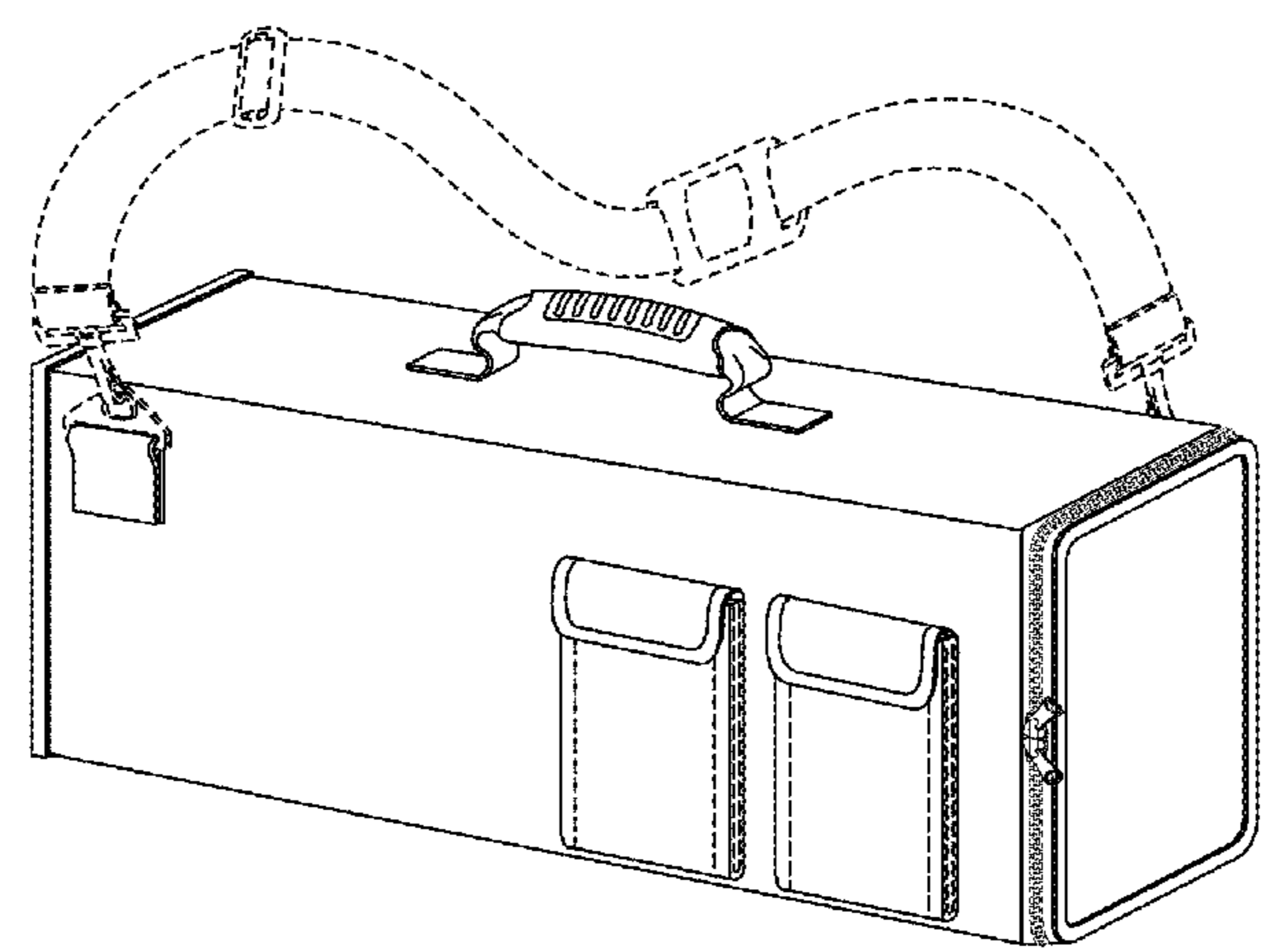
(56) **References Cited**
U.S. PATENT DOCUMENTS
3,186,529 A * 6/1965 Gilbert A45C 13/02 190/35
3,321,259 A * 5/1967 Fiterman A47B 63/02 312/259
3,912,055 A 10/1975 Malooly
(Continued)

OTHER PUBLICATIONS
Amazon. "Safco 3094 Tube-Stor Roll Files." First reviewed Apr. 21, 2016. Retrieved Sep. 26, 2016. (<https://www.amazon.com/Safco%AD3094%ADTube%ADStor%ADFiles%ADFiberboard/dp/B001MS6VW0/>).*
(Continued)
Primary Examiner — Jennifer Rivard
Assistant Examiner — Jerry Hsu
(74) *Attorney, Agent, or Firm* — Jones IP Law, LLC; Dennis W. Jones

(57) **CLAIM**
The ornamental design for a travel blueprint architectural drawings case, as shown and described.

DESCRIPTION
FIG. 1 is a perspective view of a travel blueprint architectural drawings case;
FIG. 2 is a perspective view of the travel blueprint architectural drawings case with the front opened;
FIG. 3 is a left side elevation view thereof;
FIG. 4 is a right side elevation view thereof;
FIG. 5 is a front elevation view thereof;
FIG. 6 is a front elevation view thereof with the front opened;
FIG. 7 is a top plan view thereof; and,
FIG. 8 is a bottom plan view thereof.
The broken lines illustrating the shoulder strap form no part of the claimed design.
The broken lines on the pockets illustrate surface stitching and form no part of the claimed design.
The dash-dot broken lines illustrate the bounds of the claim and form no part thereof.

1 Claim, 5 Drawing Sheets



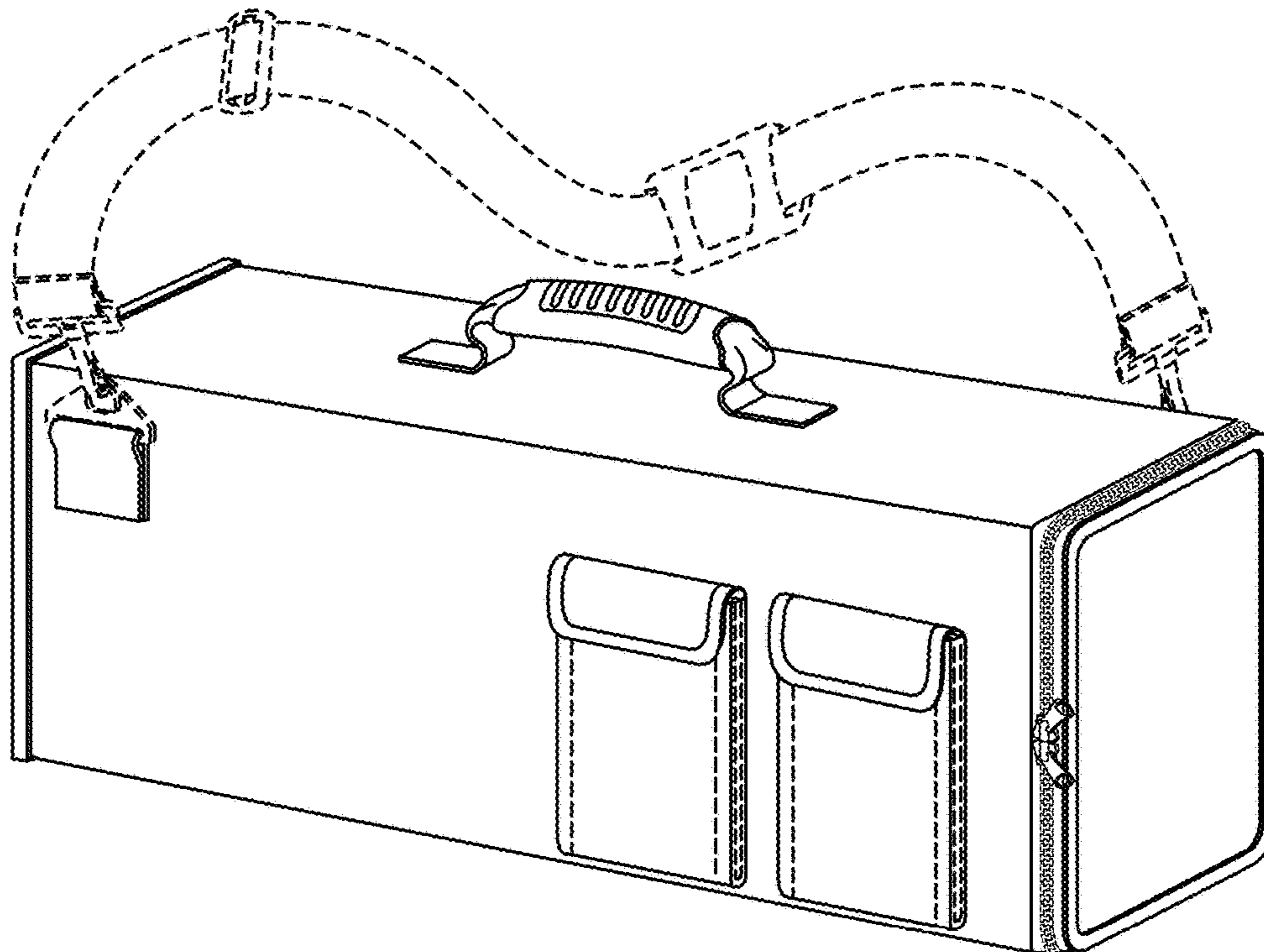


Fig. 1

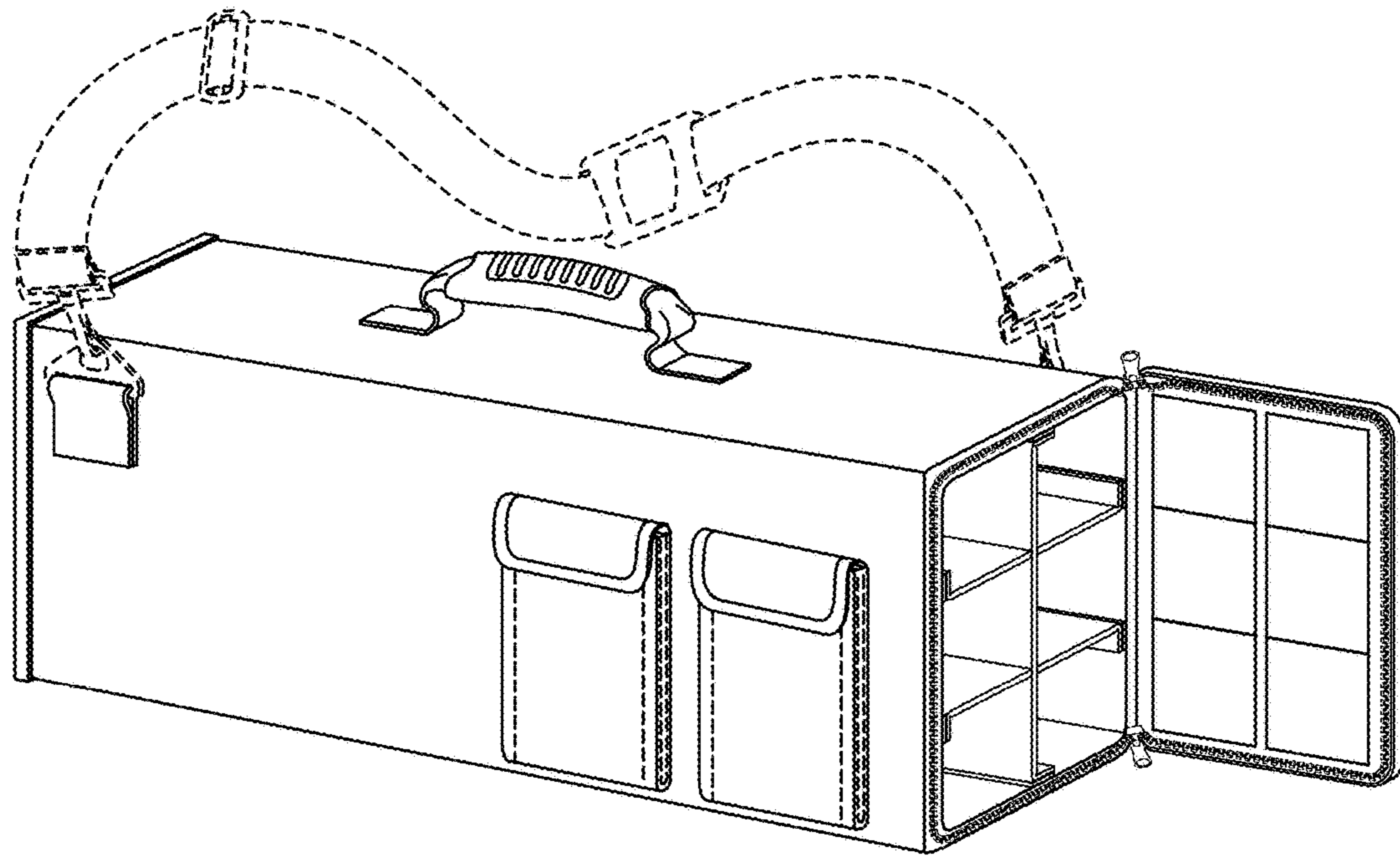


Fig. 2

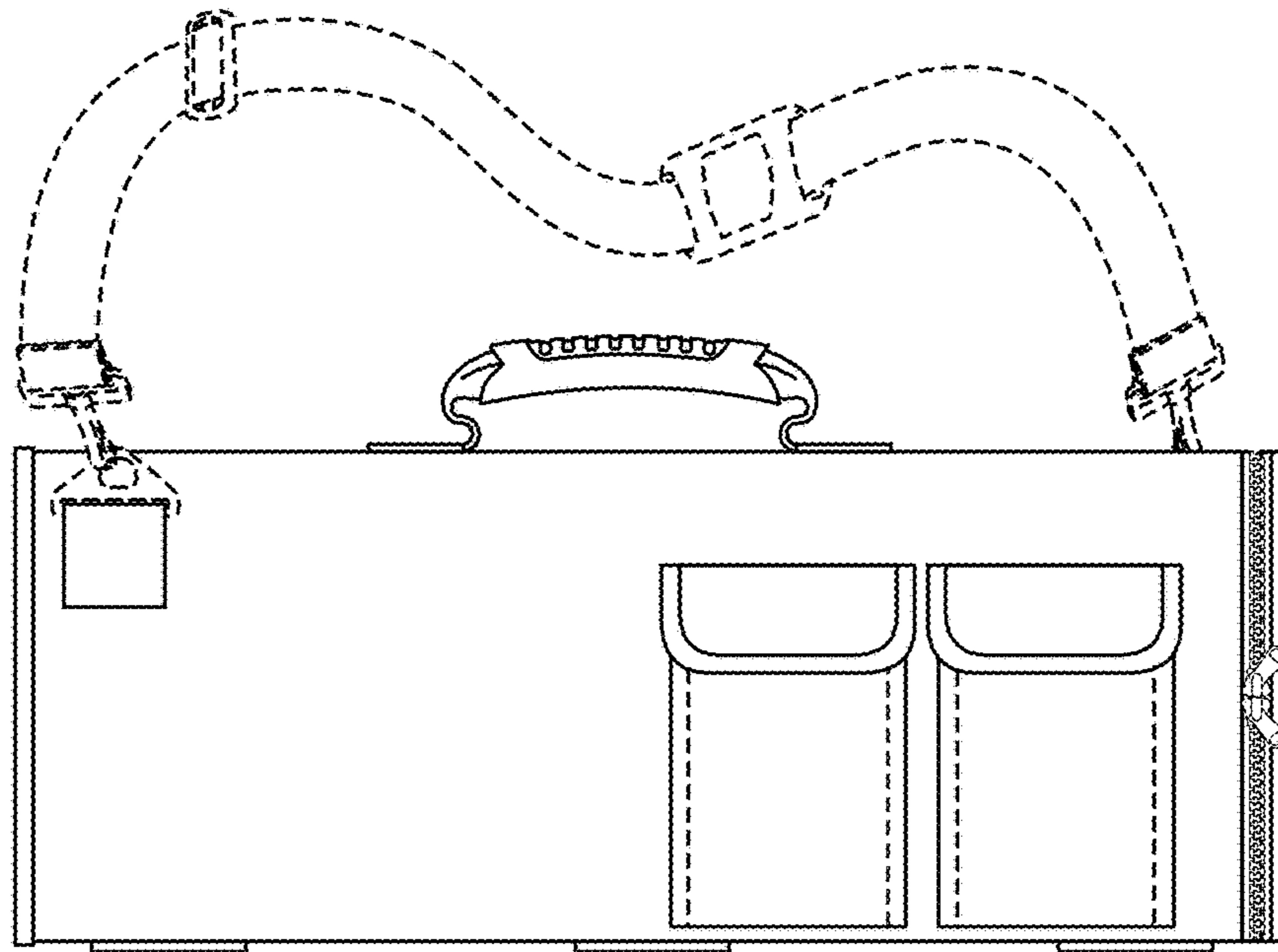


Fig. 3

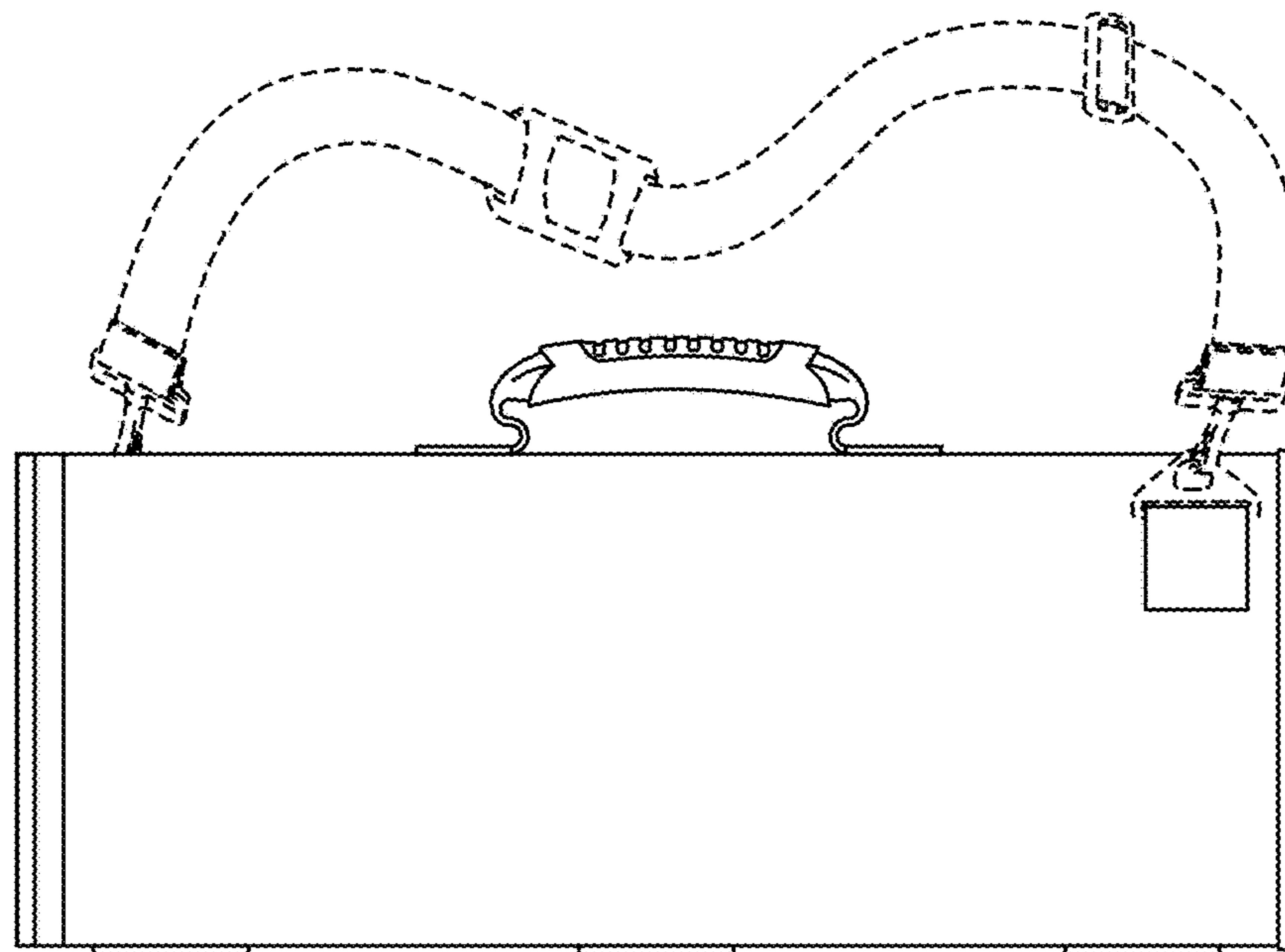


Fig. 4

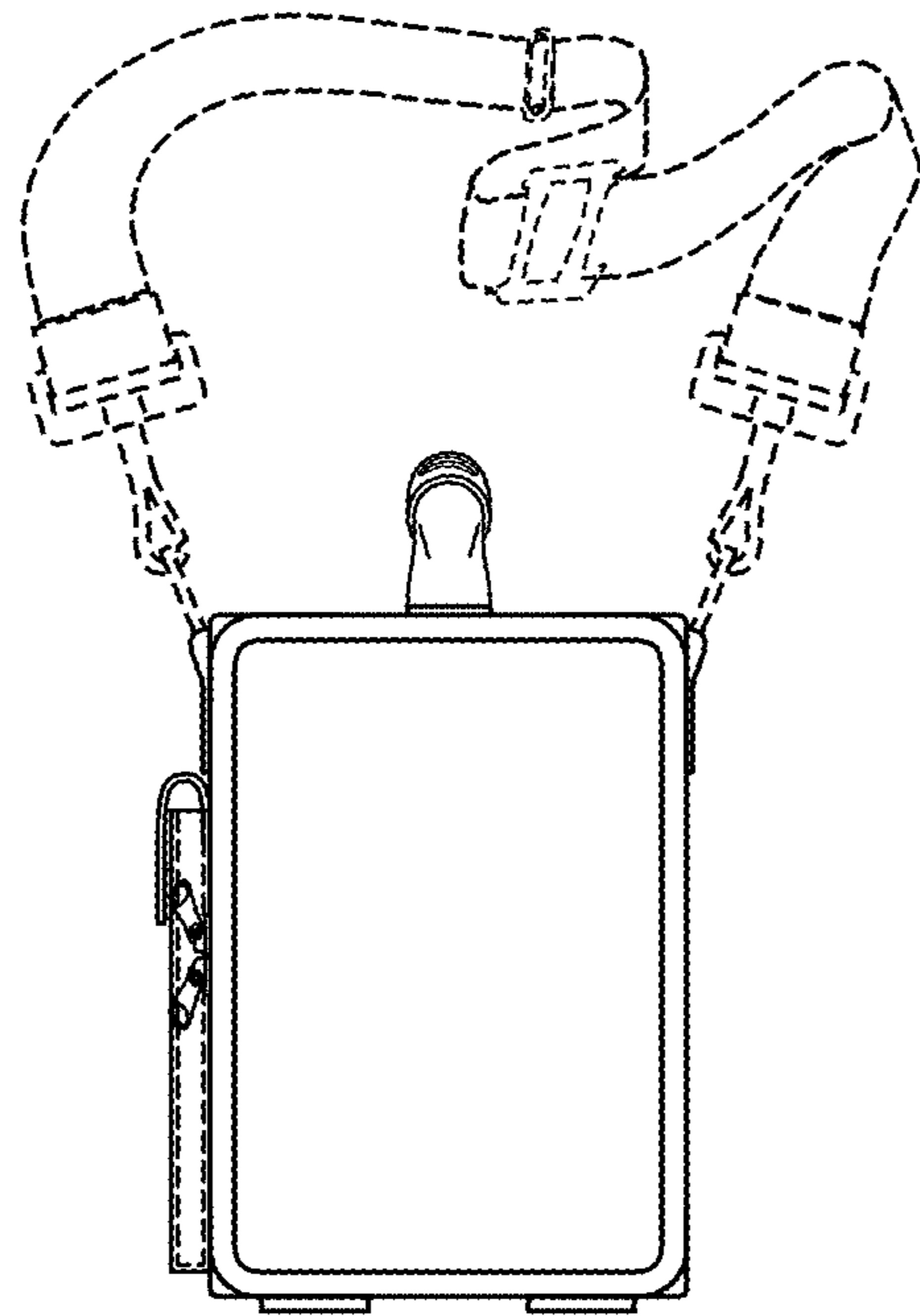


Fig. 5

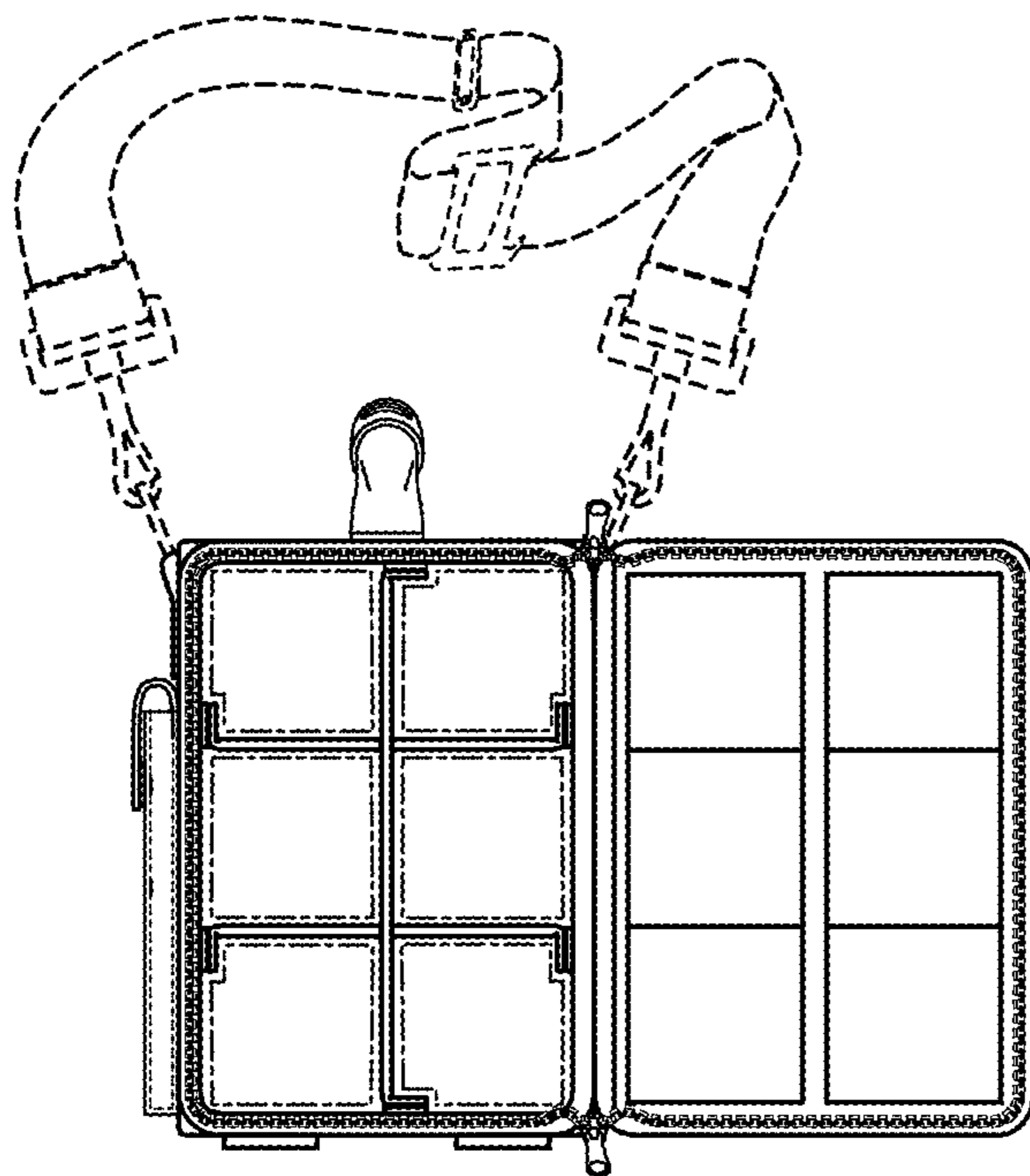


Fig. 6

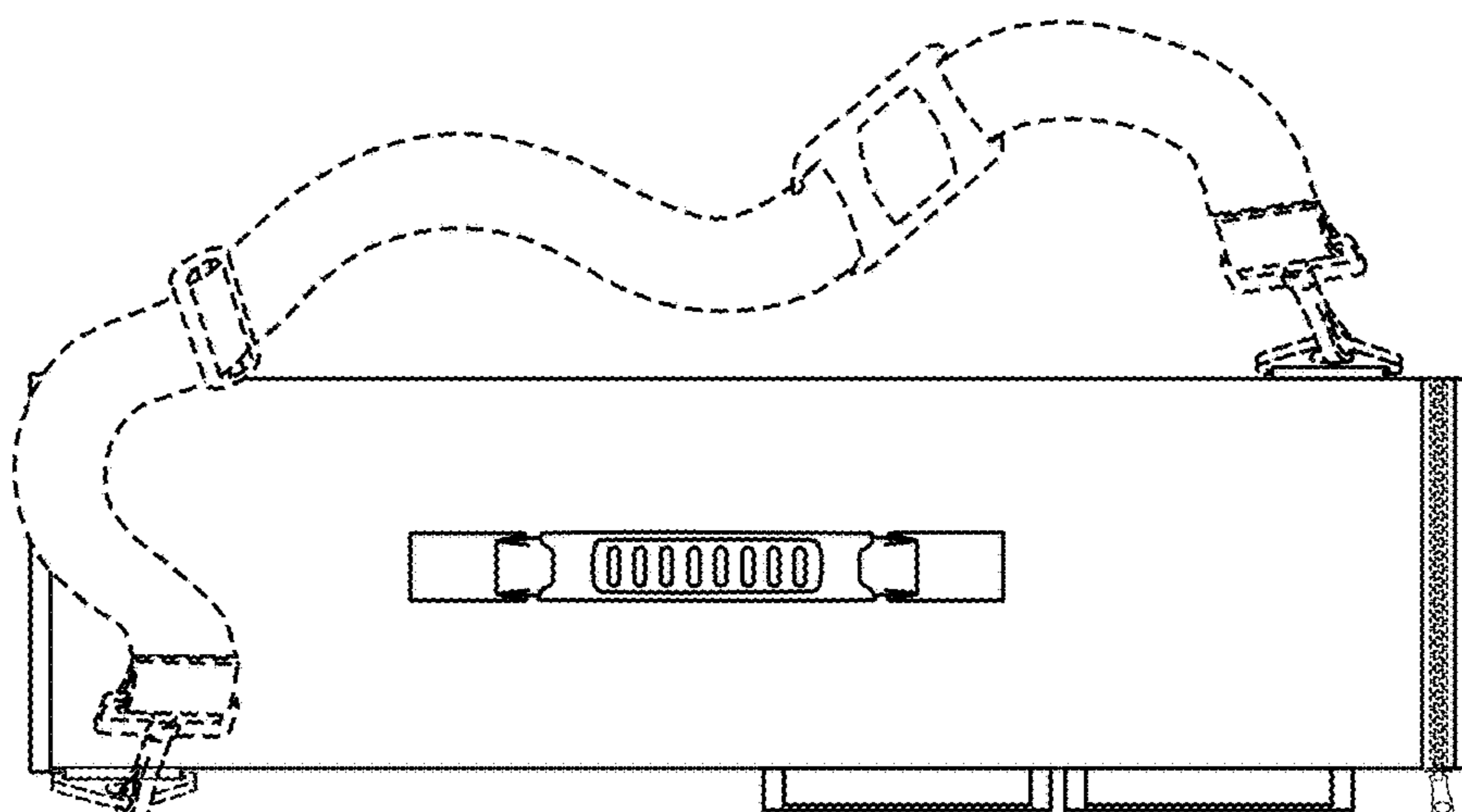


Fig. 7

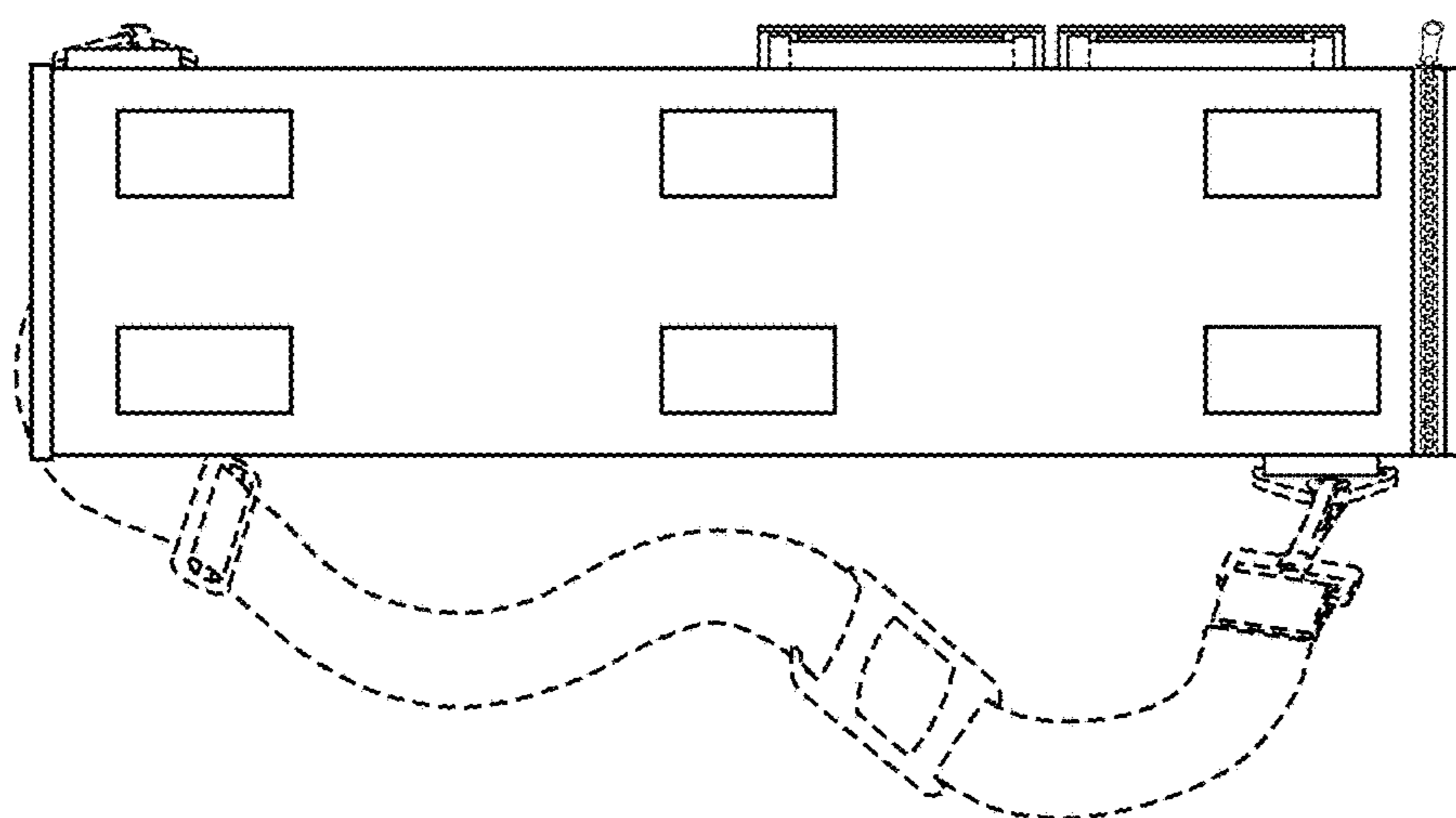


Fig. 8