



US00D796840S

(12) **United States Design Patent** (10) **Patent No.:** **US D796,840 S**
Gabrielyan (45) **Date of Patent:** **** Sep. 12, 2017**

(54) **CASE**
(71) Applicant: **Sos Gabrielyan**, Seatac, WA (US)
(72) Inventor: **Sos Gabrielyan**, Seatac, WA (US)
(73) Assignee: **Sos Gabrielyan**, Seatac, WA (US)
(**) Term: **15 Years**

D502,810 S *	3/2005	Morgan	D3/282
D508,773 S *	8/2005	Singh	D3/282
D514,316 S *	2/2006	Allan	D3/282
D517,317 S *	3/2006	Singh	D3/282
D543,358 S *	5/2007	Vasudeva	D3/282
D595,958 S *	7/2009	Twig	D3/294
D659,396 S *	5/2012	Hsu	D3/294
D691,146 S	10/2013	Perez	
D726,416 S *	4/2015	Gabrielyan	D3/282
D731,790 S *	6/2015	Yabe	D3/264
D739,141 S *	9/2015	Gabrielyan	D3/282

(21) Appl. No.: **29/570,595**
(22) Filed: **Jul. 9, 2016**
(51) **LOC (10) Cl.** **03-01**
(52) **U.S. Cl.**
USPC **D3/282; D3/905**
(58) **Field of Classification Search**
USPC D3/206, 262, 271.8, 274, 273, 276, 282,
D3/284, 294, 298, 302, 315, 901, 905,
D3/904, 201
CPC B25H 3/003; A45C 2011/002; A45C
2011/003; A45C 2011/007; A45C 11/16;
A45C 11/36; A45C 11/34; A45C 15/00;
A45D 2040/0012; A45D 40/24
See application file for complete search history.

* cited by examiner

Primary Examiner — Jennifer Rivard
Assistant Examiner — April Rivas

(57) **CLAIM**

The ornamental design for a case, as shown and described.

DESCRIPTION

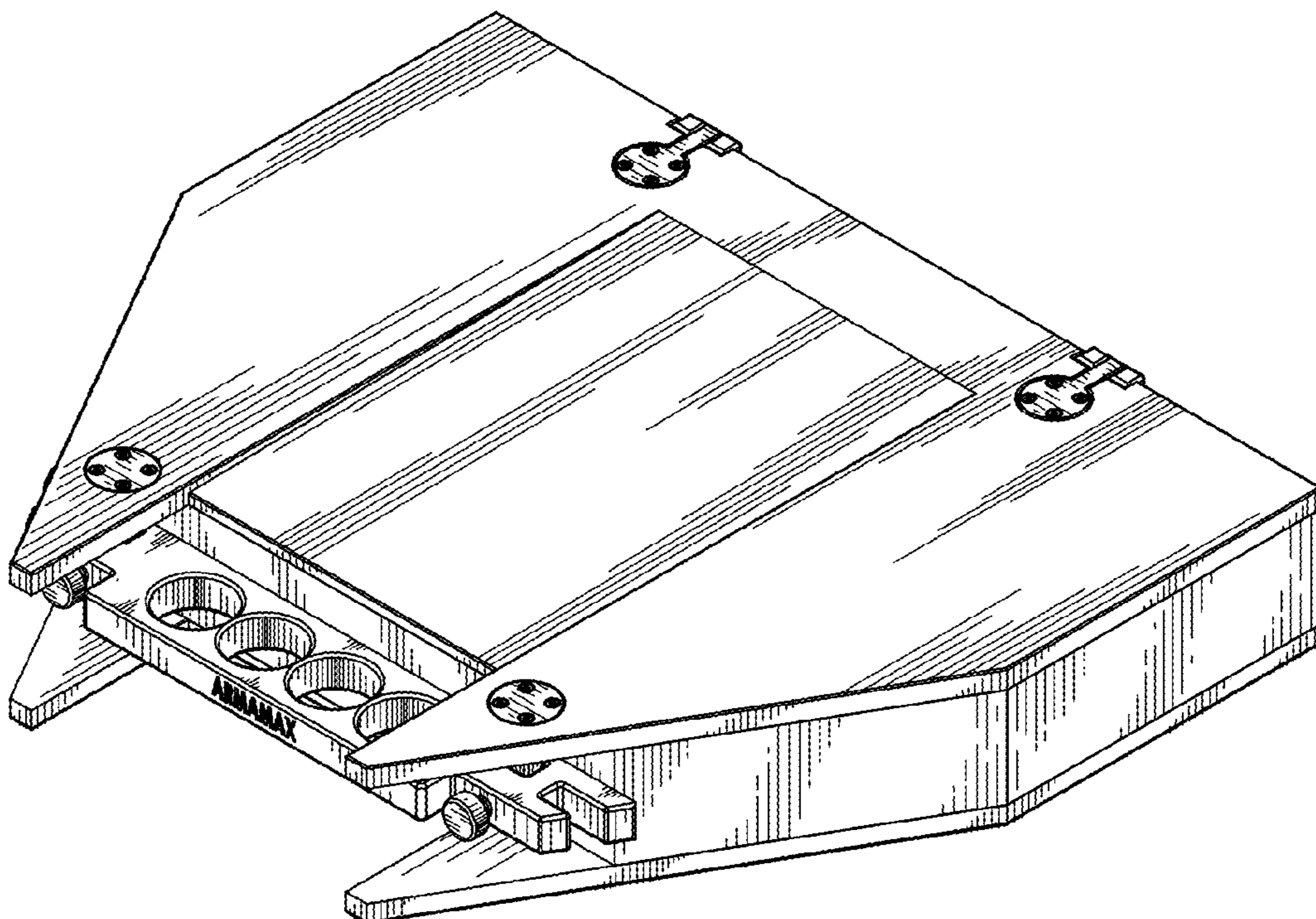
FIG. 1 is a front perspective view of the case;
FIG. 2 is a top plan view thereof;
FIG. 3 is a front elevation view thereof;
FIG. 4 is a rear elevation view thereof;
FIG. 5 is a right side elevation view thereof, the left side
elevation view thereof being mirror image of the view
shown in FIG. 5;
FIG. 6 is a bottom plan view thereof; and,
FIG. 7 is a front perspective view of the case showing the lid
in an open position.

(56) **References Cited**

U.S. PATENT DOCUMENTS

D384,501 S *	10/1997	Rosen	D3/276
D413,440 S *	9/1999	Schurman	D3/276
D459,074 S *	6/2002	Eckmann	D3/276

1 Claim, 5 Drawing Sheets



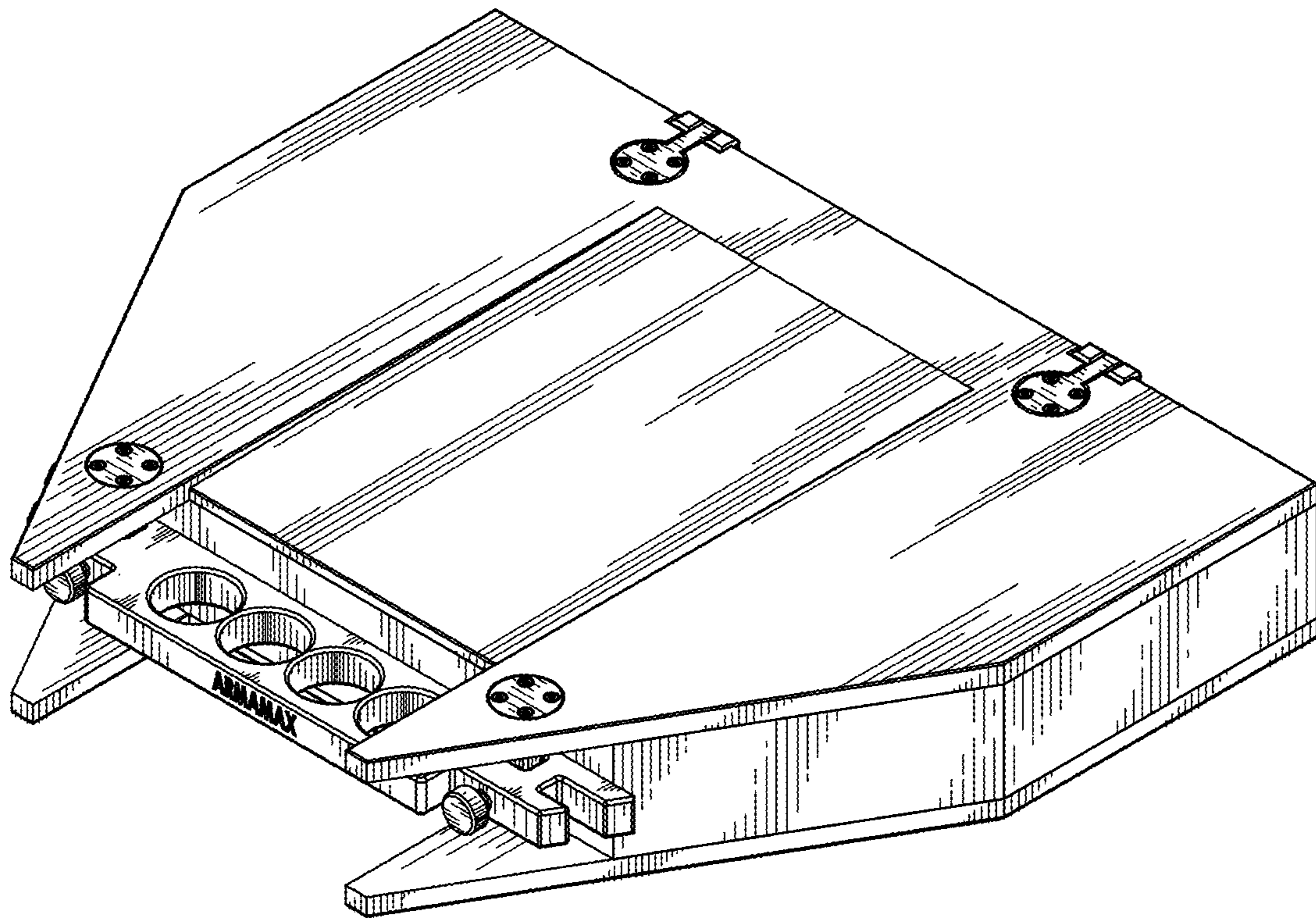


Fig. 1

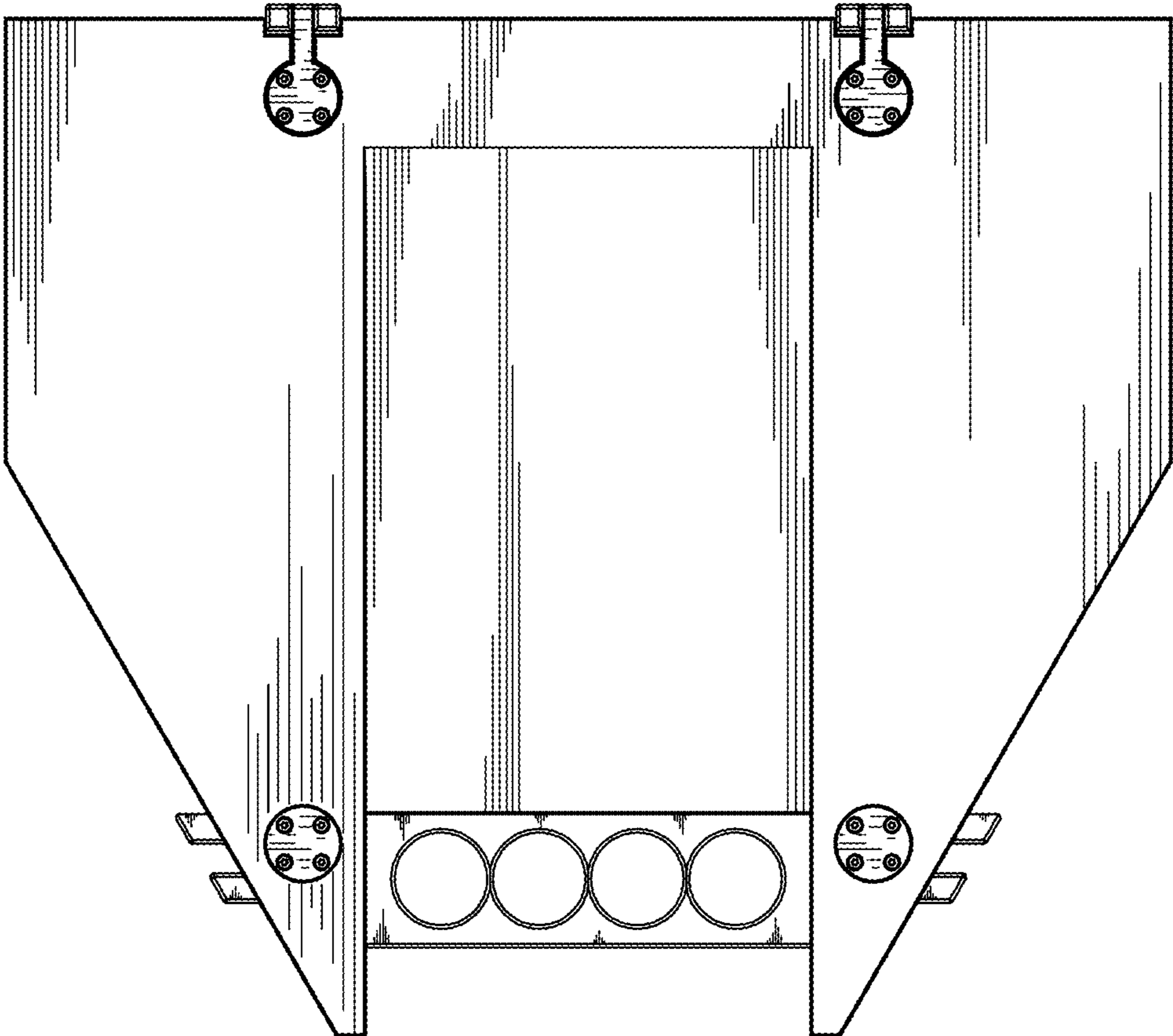


Fig. 2

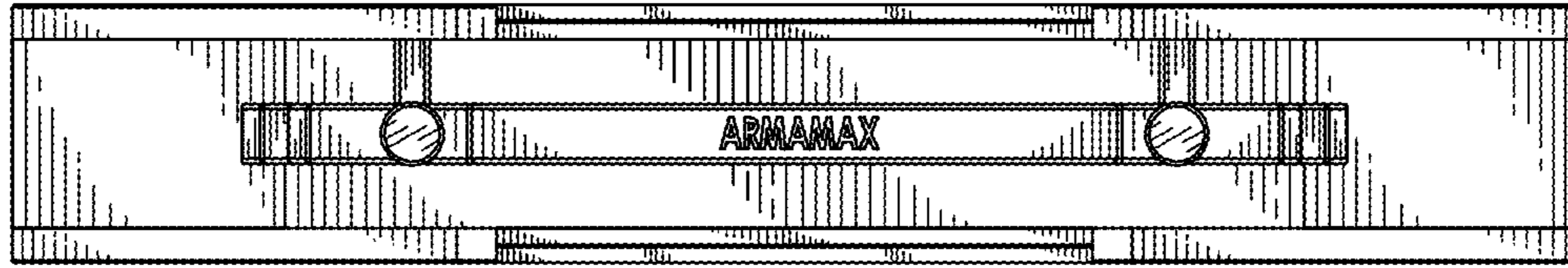


Fig. 3

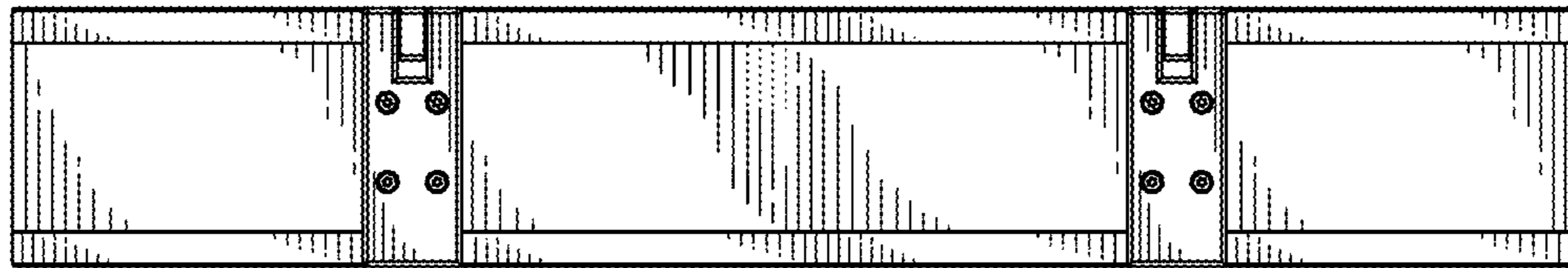


Fig. 4

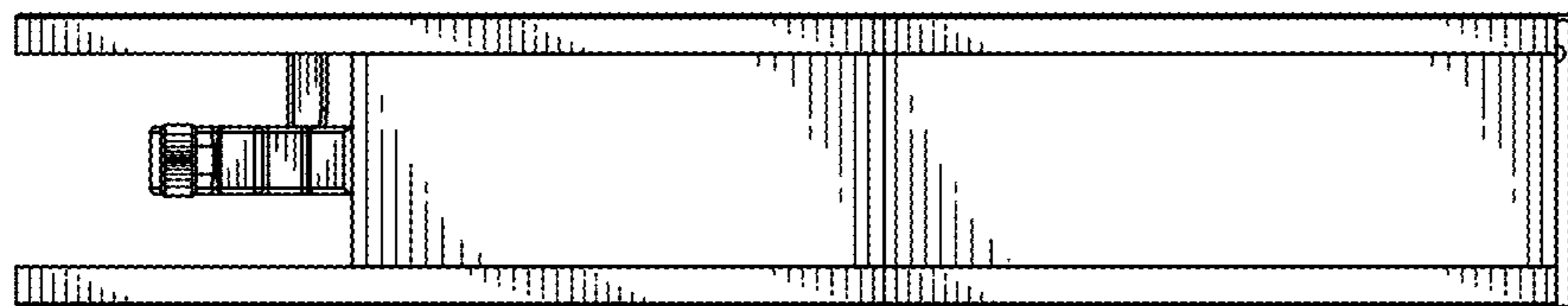


Fig. 5

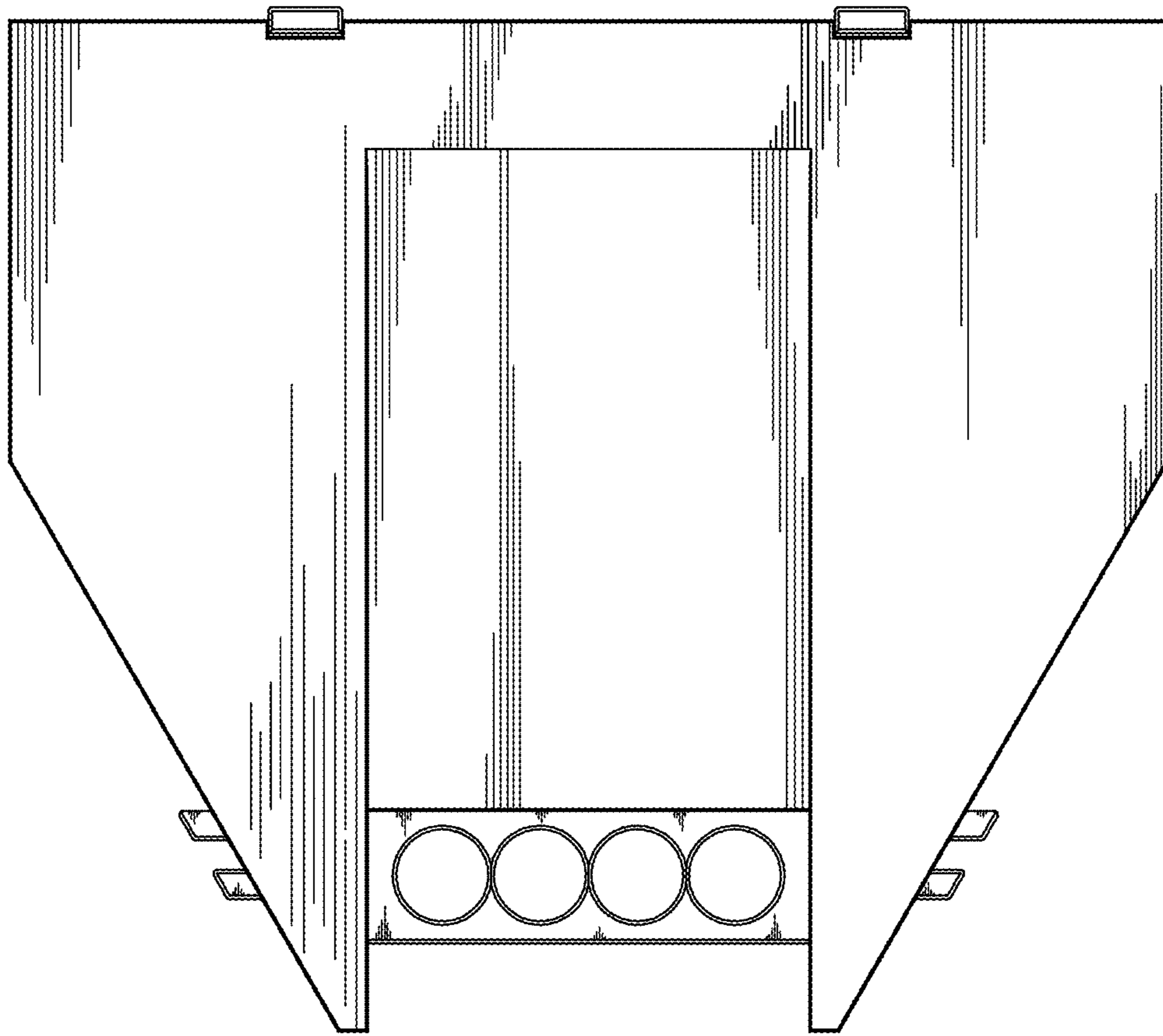


Fig. 6

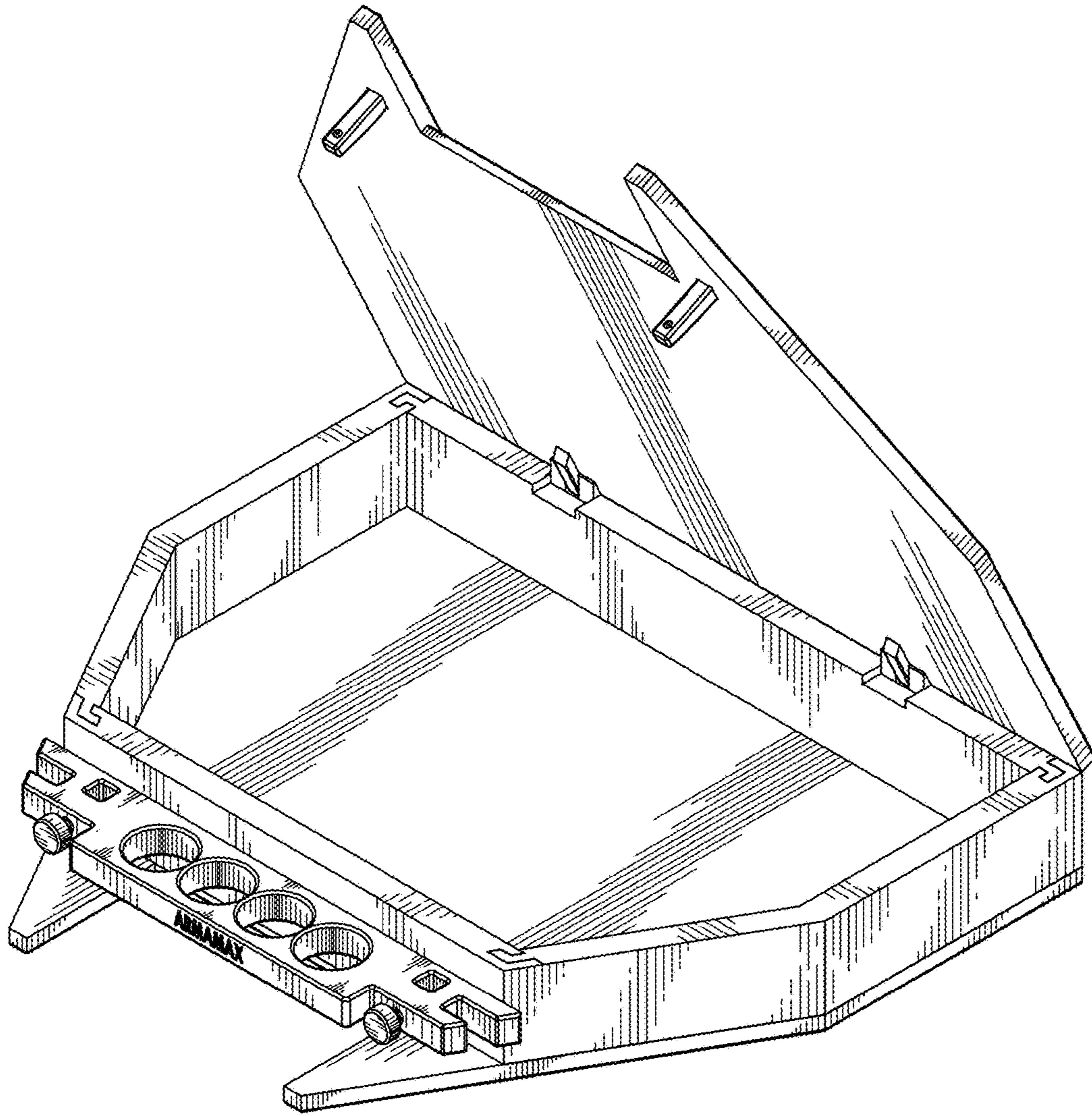


Fig. 7