



US00D796839S

(12) **United States Design Patent** (10) **Patent No.:** **US D796,839 S**  
**Milburn** (45) **Date of Patent:** **\*\* Sep. 12, 2017**

- (54) **SET OF HANDLES FOR A TOOL CHEST**
- (71) Applicant: **APEX BRANDS, INC.**, Apex, NC (US)
- (72) Inventor: **Cody Edward Milburn**, Brookland, AR (US)
- (73) Assignee: **APEX BRANDS, INC.**, Apex, NC (US)
- (\*\*) Term: **15 Years**
- (21) Appl. No.: **29/550,266**
- (22) Filed: **Dec. 31, 2015**
- (51) **LOC (10) Cl.** ..... **03-01**
- (52) **U.S. Cl.**  
USPC ..... **D3/281; D3/318**
- (58) **Field of Classification Search**  
USPC ..... D3/232-246, 254, 255, 273, 281, 294, D3/300, 315, 318-322, 324, 327, 328, D3/328.1, 329, 902, 903, 904, 905  
CPC ..... A45C 13/30; A45C 2013/303; A45C 2013/306; A45C 13/22; A45C 2013/226; A45C 13/001; A45F 5/102; A63B 47/001; A63B 57/20; A63B 57/0037; A63B 57/203

See application file for complete search history.

(56) **References Cited**

**U.S. PATENT DOCUMENTS**

- D121,753 S \* 7/1940 Pichel ..... D3/324
- D306,096 S \* 2/1990 Dickinson ..... D3/281
- D376,909 S \* 12/1996 Dickinson ..... D28/7
- D394,955 S \* 6/1998 Dickinson ..... D3/281
- D413,203 S \* 8/1999 Zurwelle ..... D3/276
- D418,977 S \* 1/2000 Streich ..... D3/273
- D428,254 S \* 7/2000 Alexander-Katz ..... D3/274
- D431,108 S \* 9/2000 Lewis ..... D3/276

- D434,225 S \* 11/2000 Story ..... D3/276
- D441,954 S \* 5/2001 Parker ..... D3/273
- D459,580 S \* 7/2002 Chen ..... D3/273
- D470,659 S \* 2/2003 Story ..... D3/281
- D525,789 S \* 8/2006 Hosking ..... D3/281
- D530,094 S \* 10/2006 Hagan ..... D3/318
- D532,605 S \* 11/2006 Klein ..... D3/294
- D618,911 S \* 7/2010 Brunner ..... D3/281
- D627,967 S \* 11/2010 Kuhls ..... D3/273
- D635,366 S \* 4/2011 Luburic ..... D3/318
- D639,556 S \* 6/2011 Sosnovsky ..... D3/281
- 8,251,250 B1 \* 8/2012 Simmons ..... B25H 3/02  
220/1.5
- D668,869 S \* 10/2012 Yamamoto ..... D3/281
- 8,342,580 B2 \* 1/2013 Cowie ..... B65D 19/08  
292/104
- D717,048 S \* 11/2014 Meng ..... D3/294
- D720,136 S \* 12/2014 Scalzo ..... D3/328
- D724,842 S \* 3/2015 Whalen ..... D3/294
- D747,875 S \* 1/2016 Manalang ..... D3/274

(Continued)

*Primary Examiner* — Susan E Krakower

*Assistant Examiner* — Lisa A Grabenstetter

(74) *Attorney, Agent, or Firm* — McNair Law Firm, P.A.

(57) **CLAIM**

The ornamental design for a set of handles for a tool chest, as shown and described.

**DESCRIPTION**

FIG. 1 is a front perspective view of a set of handles for a tool chest;

FIG. 2 is a second front perspective view thereof;

FIG. 3 is a right side view thereof;

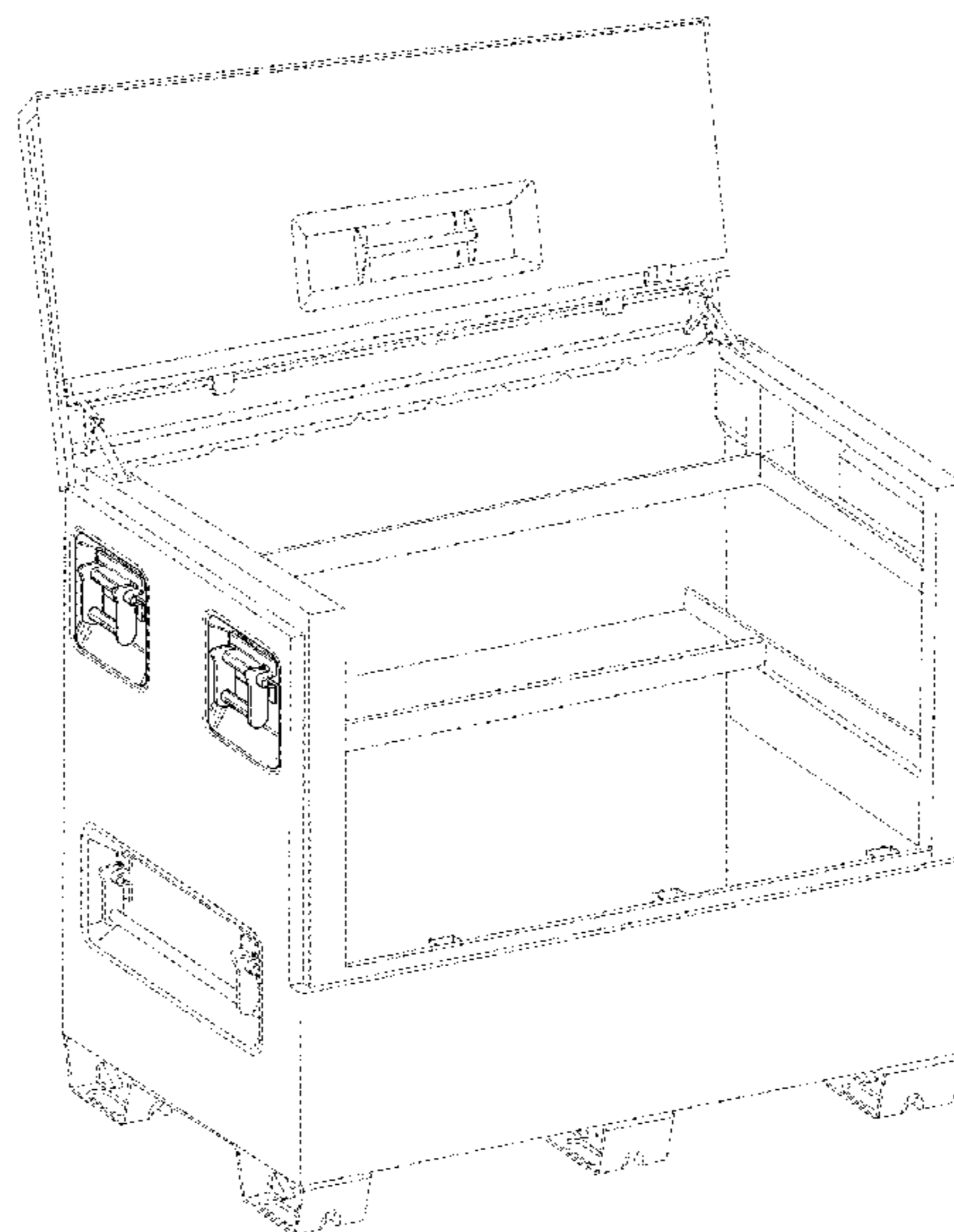
FIG. 4 is a left side view thereof; and,

FIG. 5 is a rear perspective view thereof.

The dash-dash broken lines illustrate environmental structure and forms no part of the claimed design.

The dot-dash broken lines represent boundary lines and form no part of the claim.

**1 Claim, 5 Drawing Sheets**



(56)

**References Cited**

U.S. PATENT DOCUMENTS

2011/0074262 A1\* 3/2011 Liu ..... B25H 3/028  
312/334.1  
2011/0185779 A1\* 8/2011 Crass ..... B25H 3/028  
70/158  
2013/0127183 A1\* 5/2013 Chang ..... B25H 3/02  
292/202  
2014/0312757 A1\* 10/2014 Bridges ..... A47B 91/024  
312/351.3

\* cited by examiner

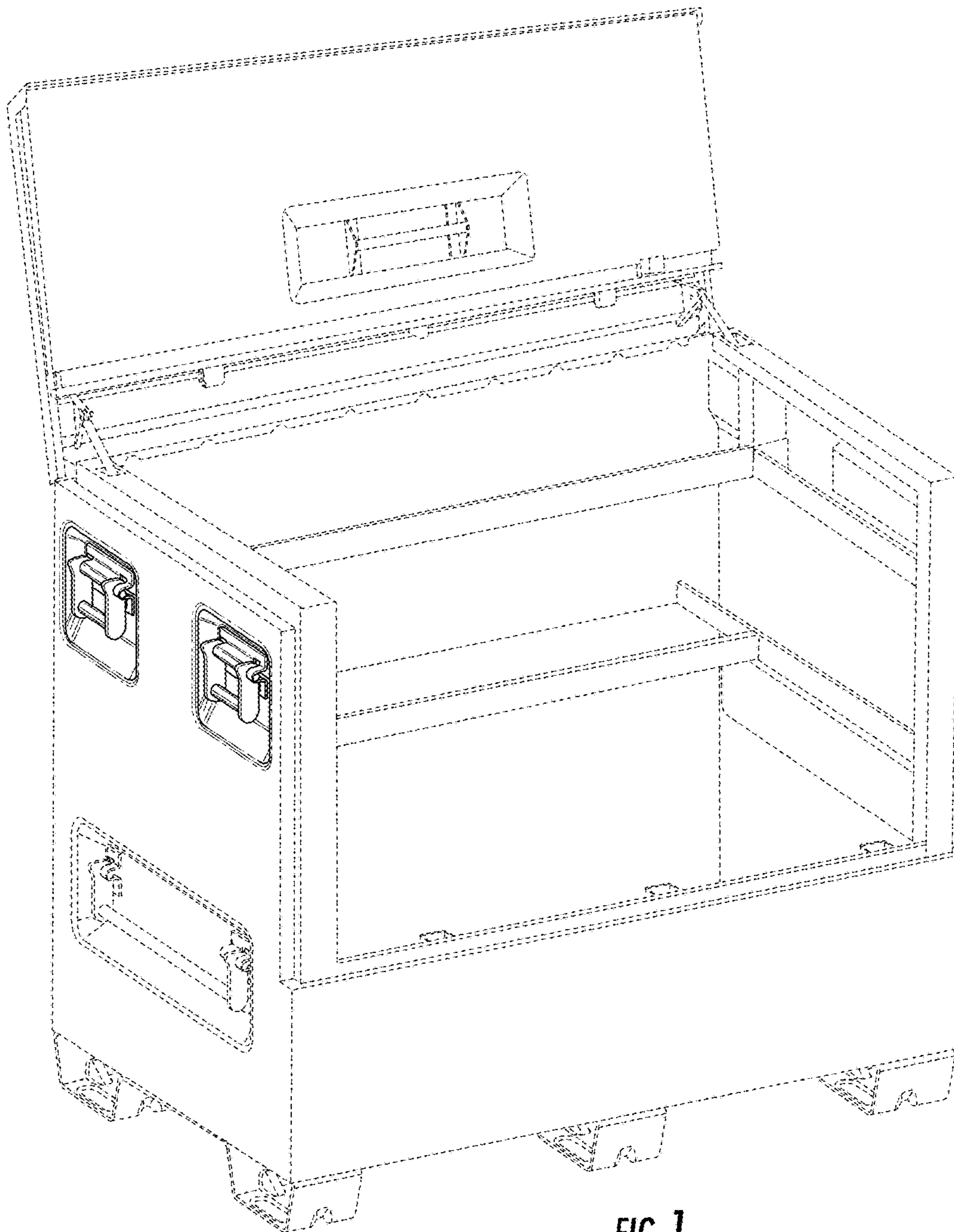


FIG. 1

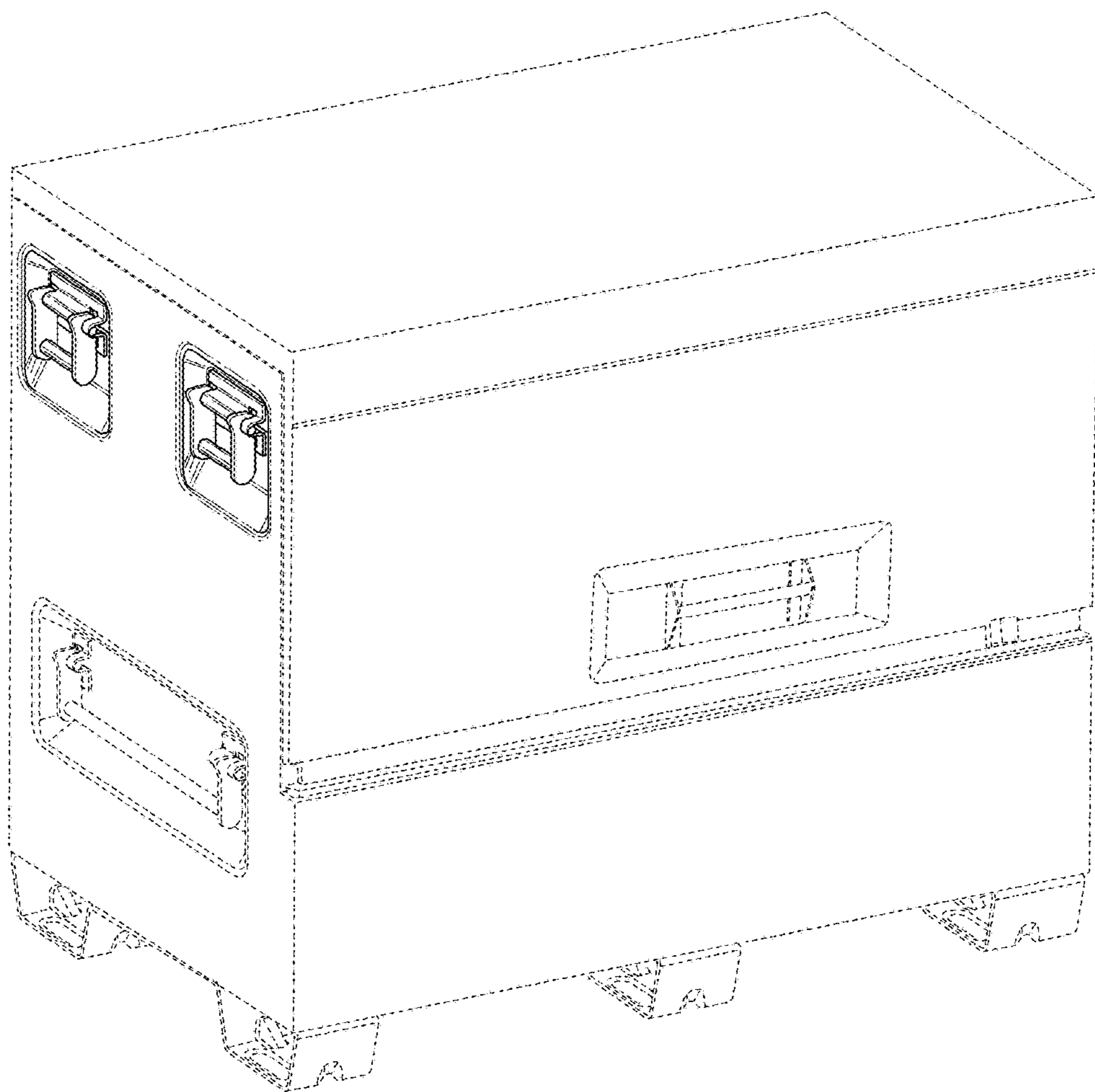


FIG. 2

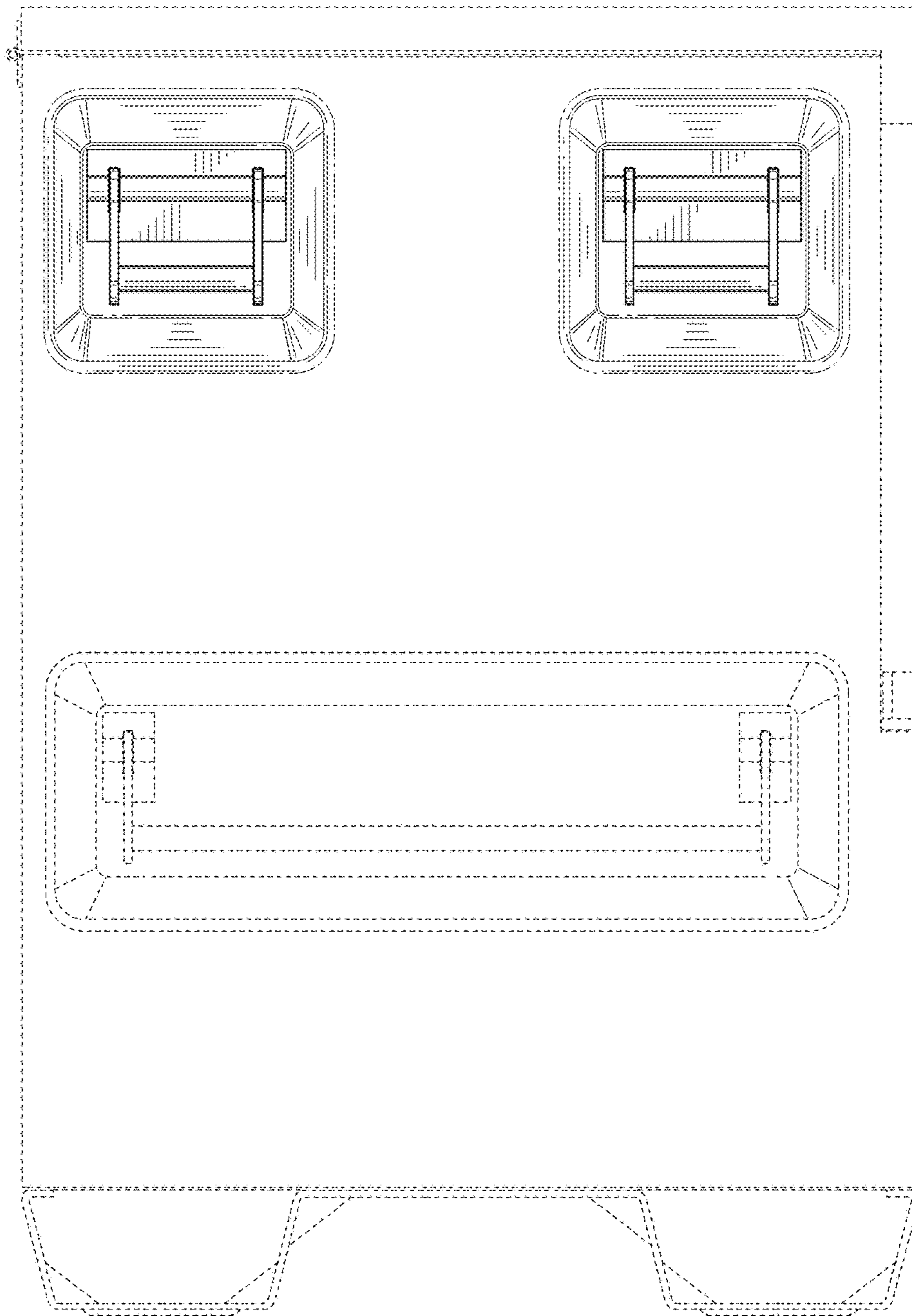


FIG. 3

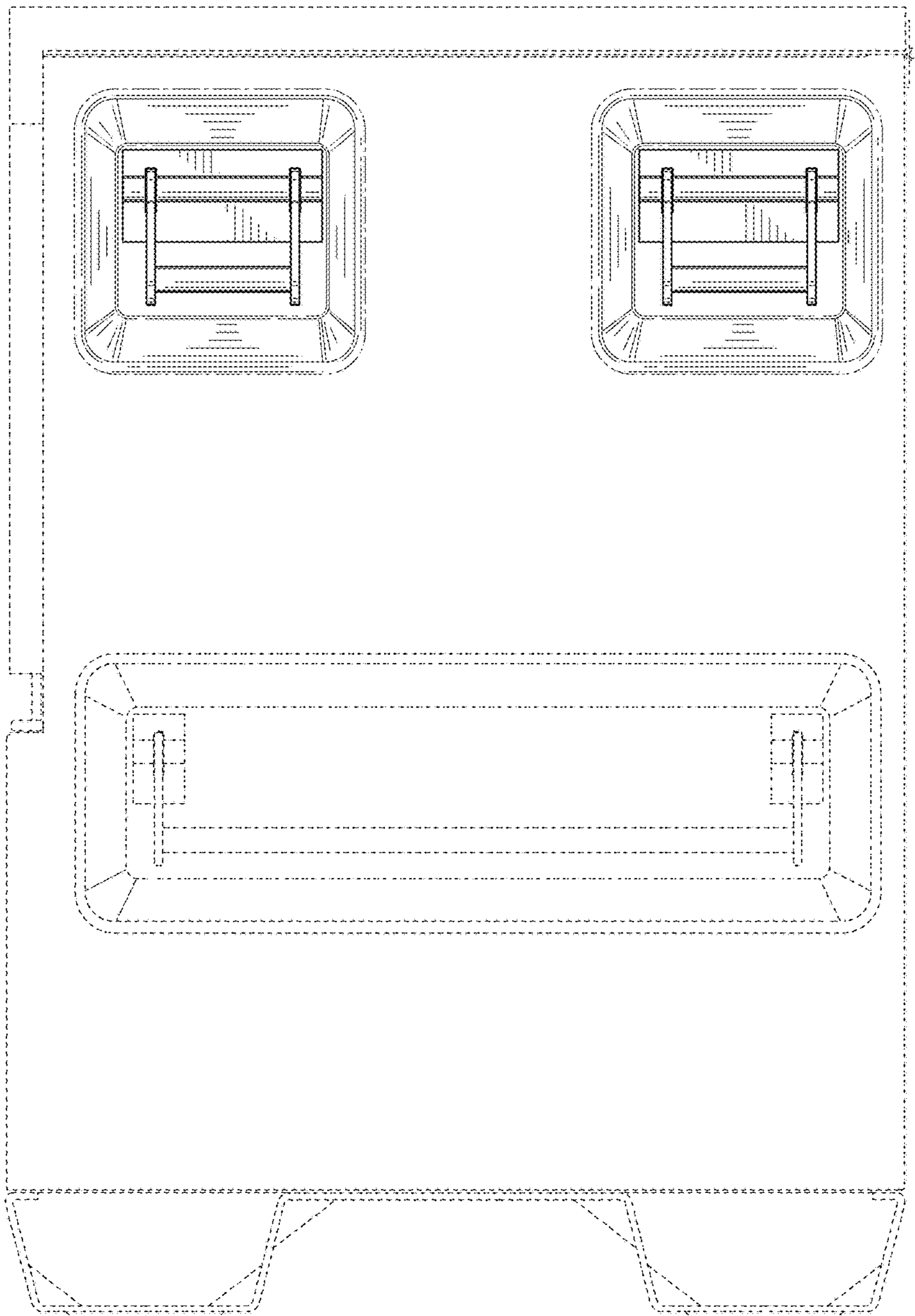


FIG. 4

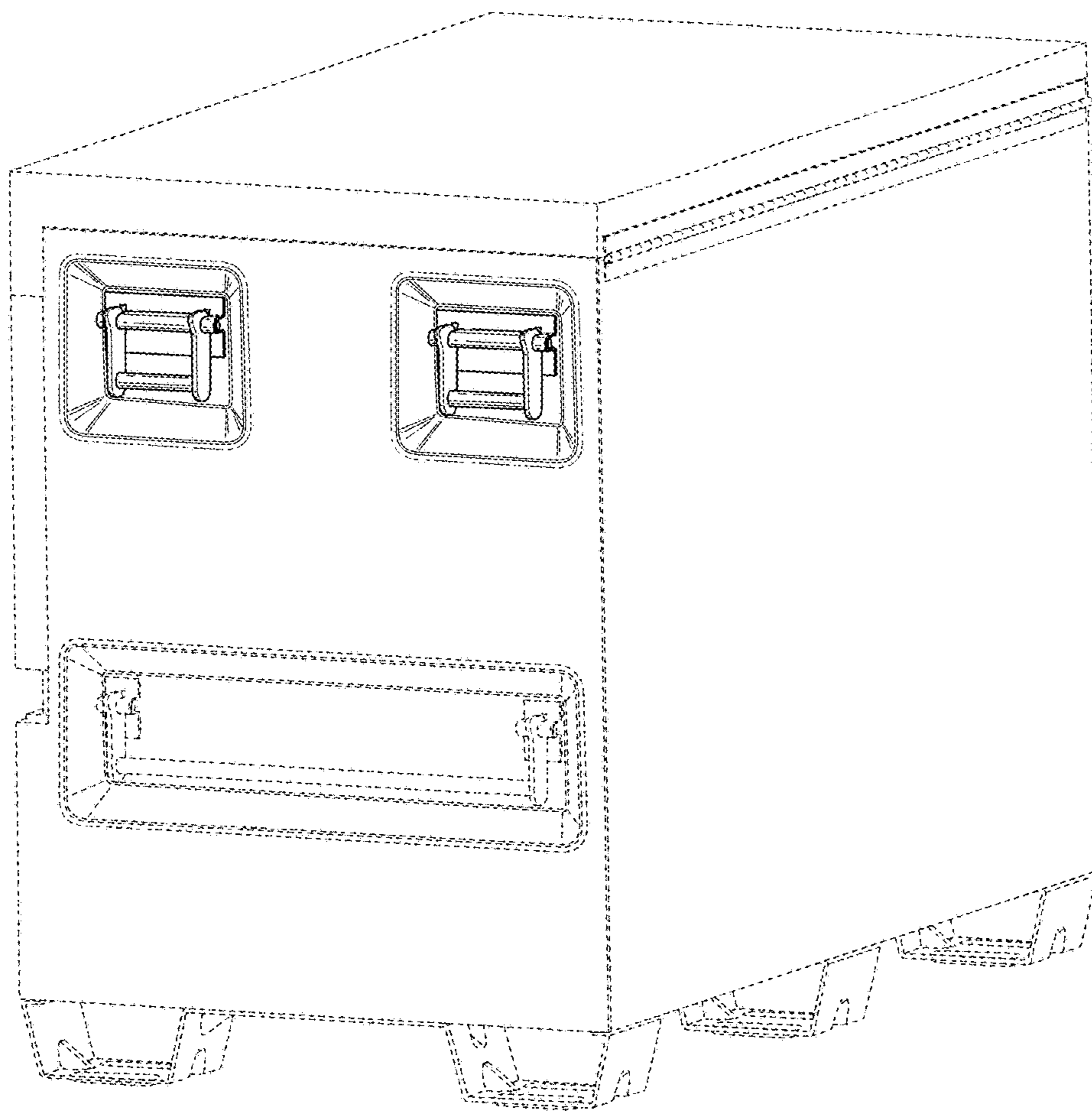


FIG. 5