



US00D796836S

(12) **United States Design Patent** (10) **Patent No.:** **US D796,836 S**
Votel et al. (45) **Date of Patent:** **** *Sep. 12, 2017**

(54) **LANYARD**
(71) Applicant: **Tenacious Holdings, Inc.**, St. Paul, MN (US)
(72) Inventors: **Thomas Votel**, Sunfish Lake, MN (US); **Nathan Bohmbach**, Bloomington, MN (US)
(73) Assignee: **Tenacious Holdings, Inc.**, St. Paul, MN (US)

4,051,584 A 10/1977 Huser
4,321,952 A 3/1982 Natkins
4,508,221 A 4/1985 Olson
4,515,423 A 5/1985 Moore et al.
4,606,484 A 8/1986 Winter et al.
4,728,123 A * 3/1988 Kassal A63C 11/02 224/220
4,828,154 A 5/1989 Clifton, Jr.
4,860,617 A 8/1989 Robbins
(Continued)

(*) Notice: This patent is subject to a terminal disclaimer.

CH 672236 A5 11/1989

(**) Term: **15 Years**

OTHER PUBLICATIONS

(21) Appl. No.: **29/559,599**

3M Low Voltage Cold Shrink brochure; 1998; 8 pages.
International Search Report and Written Opinion for PCT/US2014/010258 (dated Apr. 24, 2014), 7 pages.

(22) Filed: **Mar. 30, 2016**

Primary Examiner — Catheri Oliver-Garcia
(74) *Attorney, Agent, or Firm* — Skaar Ulbrich Macari, P.A.

Related U.S. Application Data

(63) Continuation-in-part of application No. 14/020,929, filed on Sep. 9, 2013.

(51) **LOC (10) Cl.** **03-01**

(57) **CLAIM**

(52) **U.S. Cl.**
USPC **D3/228**

We claim the ornamental design for a lanyard, as shown and described.

(58) **Field of Classification Search**
USPC D11/1-2, 200-201, 206-210, 214-218, D11/86, 87; 24/163 R, 169-171, 173, 24/177-179, 191, 194-195, 197, 200, 24/614-616, 625, 198; D3/327, 215, 318; D8/80, 382, 383, 34, 35; 29/235
CPC ... A44B 11/25; A45F 5/02; A45F 3/14; A45F 5/00; A63G 11/222; A45C 13/20; A45C 13/30; A63C 11/02
See application file for complete search history.

DESCRIPTION

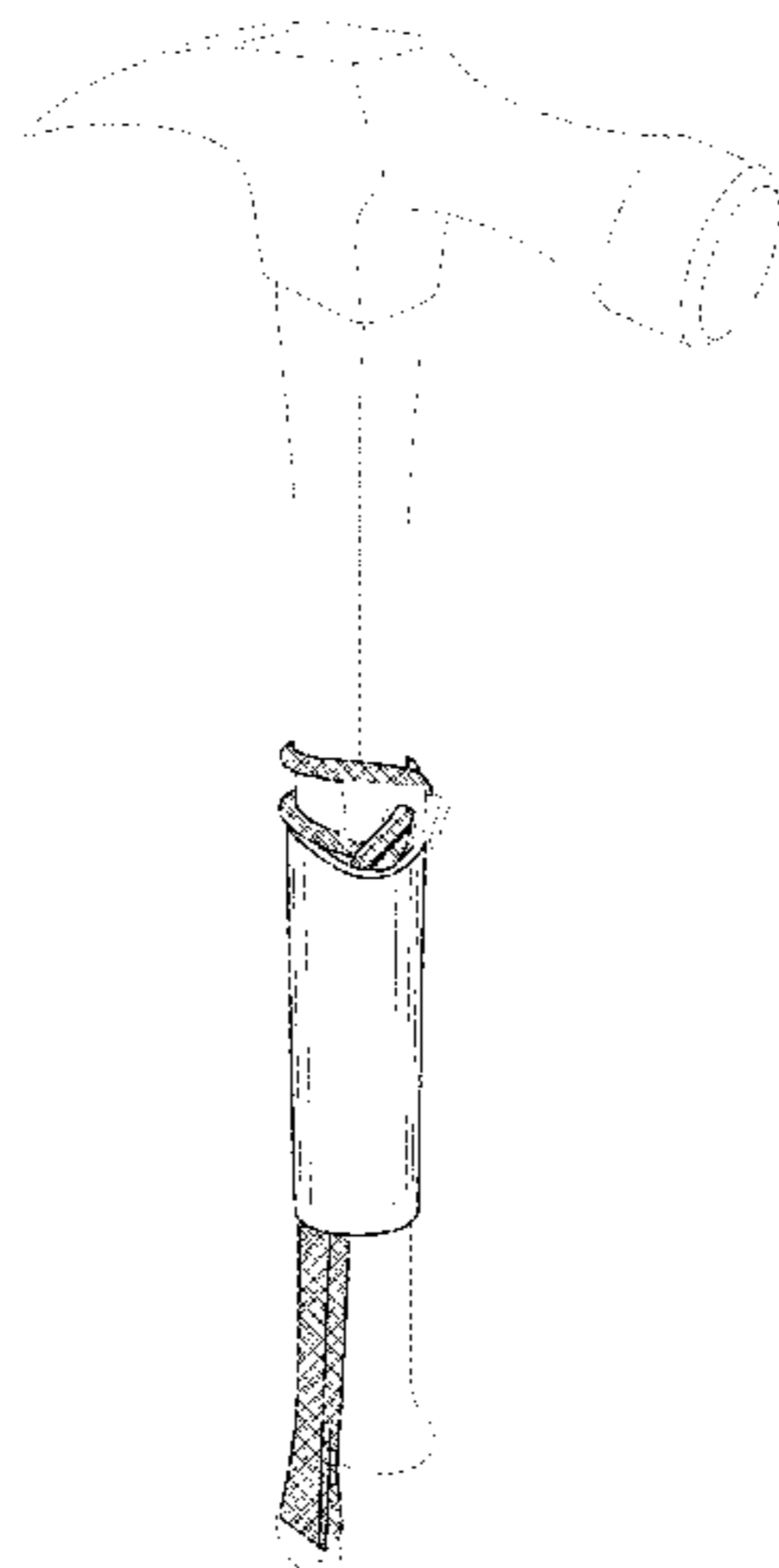
FIG. 1 is a perspective of our lanyard showing our new design;
FIG. 2 is a side elevation view thereof;
FIG. 3 is an opposite side elevation view thereof;
FIG. 4 is a front elevation view thereof;
FIG. 5 is a rear elevation view thereof;
FIG. 6 is a top plan view thereof; and,
FIG. 7 is a bottom plan view thereof.
The broken lines in the drawings illustrate features of the article to which the design is applied that form no part of the claim.

(56) **References Cited**

U.S. PATENT DOCUMENTS

774,143 A * 11/1904 Adams A45F 5/00 224/220
3,993,109 A 11/1976 Fortsch

1 Claim, 5 Drawing Sheets



(56)

References Cited

U.S. PATENT DOCUMENTS

4,860,618	A	8/1989	Givot						
D305,961	S *	2/1990	Cobb	224/220					
4,944,747	A	7/1990	Newth et al.						
5,056,661	A	10/1991	Balzano						
5,082,156	A *	1/1992	Braun	A45F 5/00 224/220					
5,163,600	A	11/1992	Barbarich et al.						
5,261,581	A	11/1993	Harden, Sr.						
5,275,068	A	1/1994	Wrench						
5,380,393	A	1/1995	Drabarek et al.						
5,433,359	A	7/1995	Flowers						
5,577,785	A	11/1996	Traber et al.						
5,593,460	A	1/1997	Lessard						
D377,862	S *	2/1997	Moore	224/220					
5,658,258	A	8/1997	Kneer et al.						
5,738,152	A	4/1998	Crittenden						
5,913,464	A	6/1999	Haberlein						
6,021,783	A	2/2000	Phillips						
6,029,321	A	2/2000	Fisher						
6,082,468	A	7/2000	Pusateri et al.						
6,105,470	A	8/2000	Hutchins						
6,155,354	A	12/2000	Pusateri et al.						
6,216,319	B1	4/2001	Elkins						
6,217,762	B1	4/2001	Rooney et al.						
D449,929	S *	11/2001	Rhoads, II					D22/147	
6,338,375	B1	1/2002	Harada						
6,360,928	B1	3/2002	Russo						
6,397,711	B1	6/2002	Marek						
6,402,002	B1	6/2002	Benton						
6,487,756	B1	12/2002	Vidal et al.						
6,641,011	B1	11/2003	Kahn						
6,820,906	B1	11/2004	McClendon						
6,988,939	B2	1/2006	Hofmann et al.						
7,032,482	B1	4/2006	Hoffman						
7,111,528	B1	9/2006	Foster						
7,168,331	B1	1/2007	Bernard et al.						
7,186,909	B2	3/2007	Bee, Jr. et al.						
7,261,349	B1	8/2007	Gregor						
7,536,925	B2	5/2009	Bernard et al.						
7,997,787	B2	8/2011	Blair						
8,236,007	B2	8/2012	Persson						
8,266,719	B2	9/2012	Duby						
8,359,949	B2	1/2013	Onello et al.						
8,365,340	B2	2/2013	Barstad et al.						
8,403,132	B2	3/2013	Moreau et al.						
8,561,531	B2	10/2013	Rooth et al.						
D741,060	S *	10/2015	Votel					D3/228	
D743,691	S *	11/2015	Romano					D11/201	
D756,107	S *	5/2016	Votel					D3/228	
2005/0283952	A1	12/2005	Talbot et al.						
2012/0267403	A1	10/2012	Ward, Jr.						

* cited by examiner

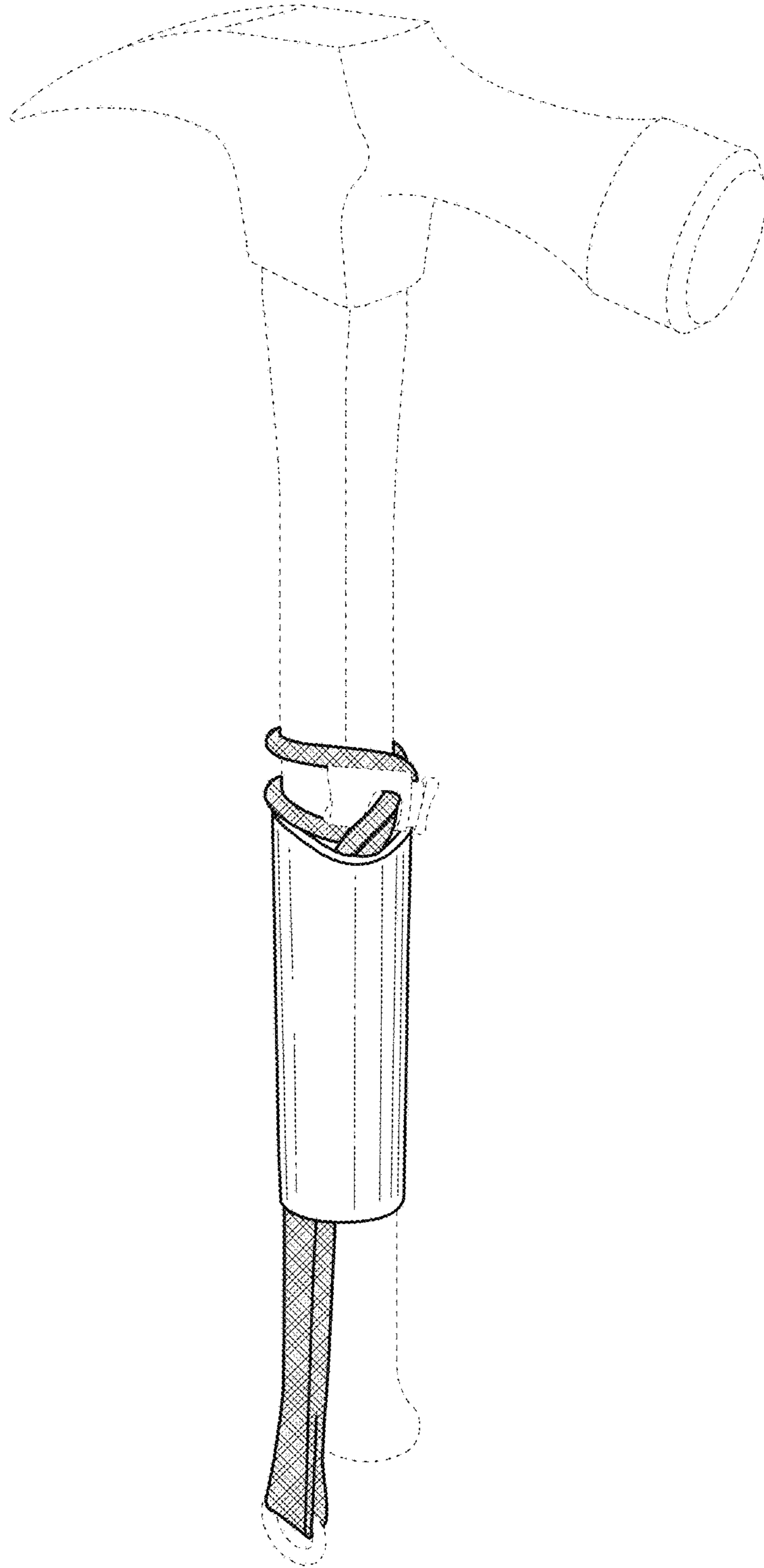


Fig. 1

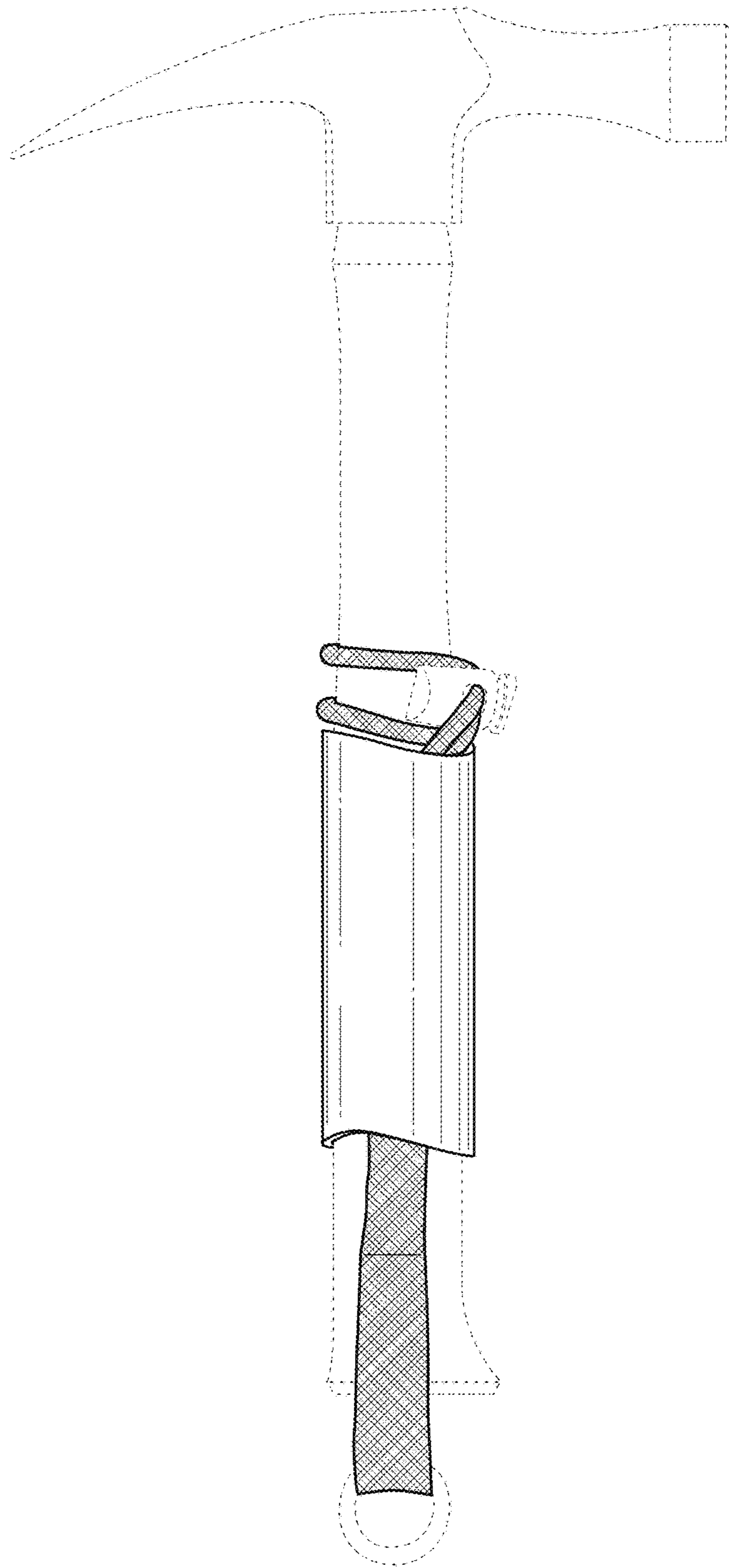


Fig. 2

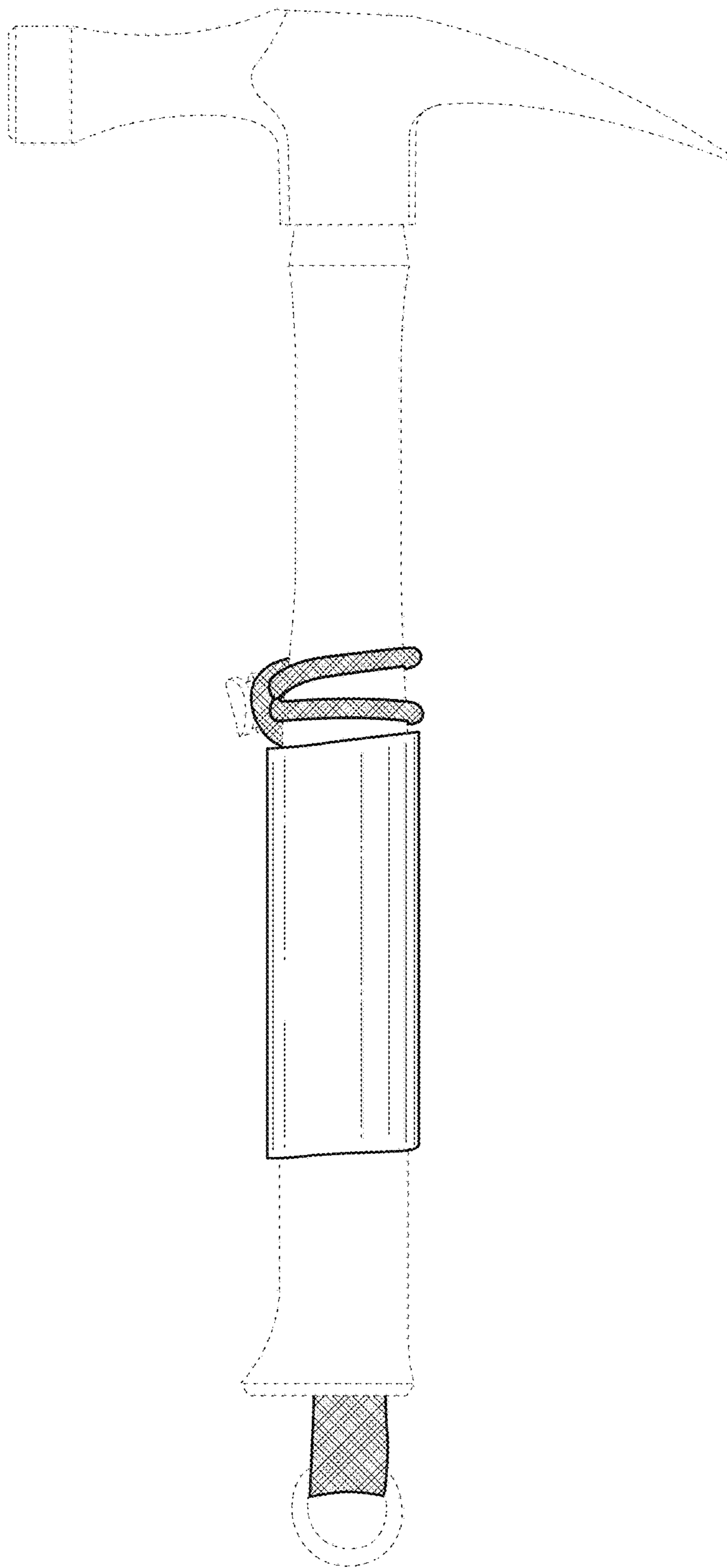


Fig. 3

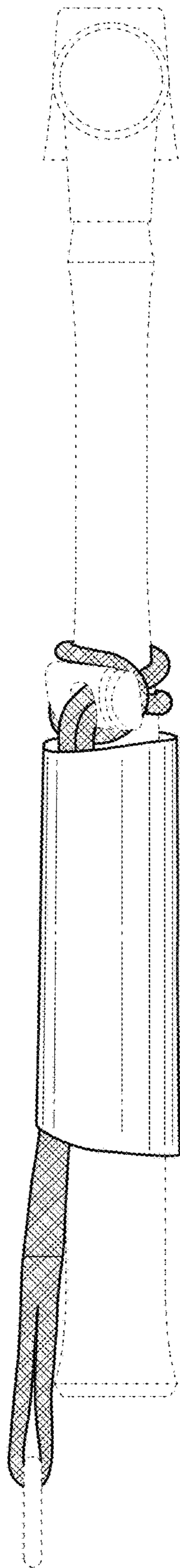


Fig. 4

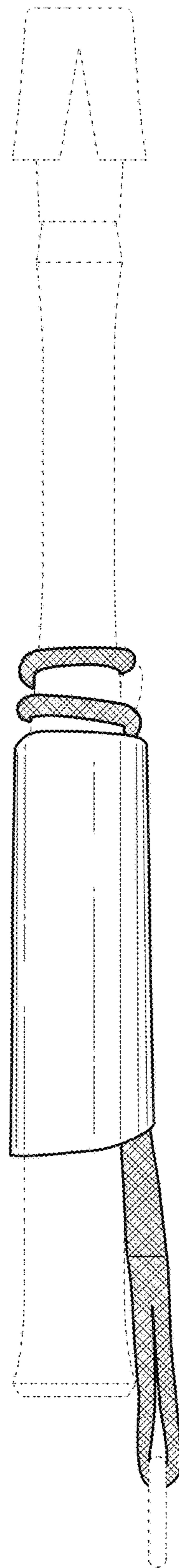


Fig. 5

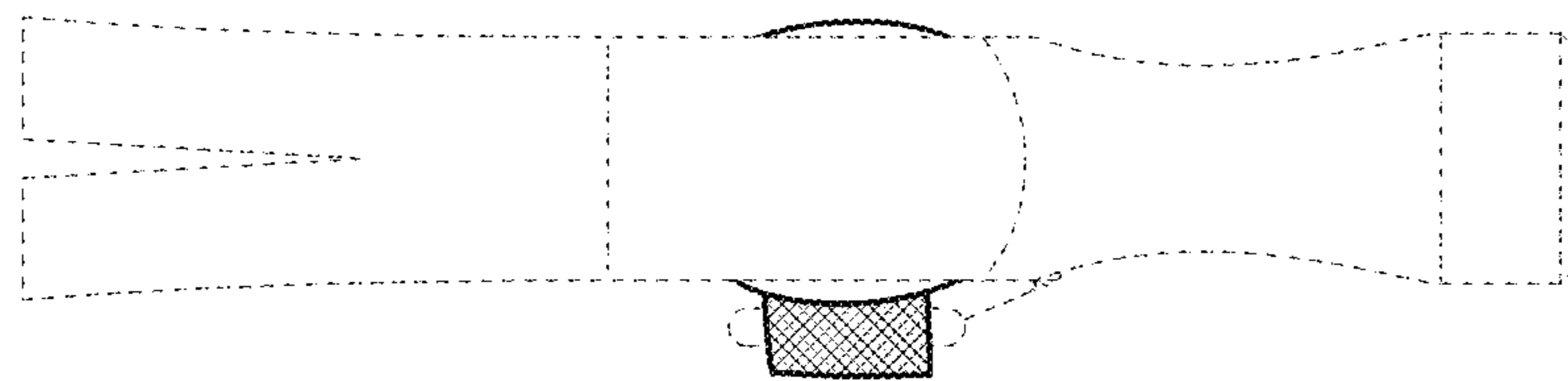


Fig. 6

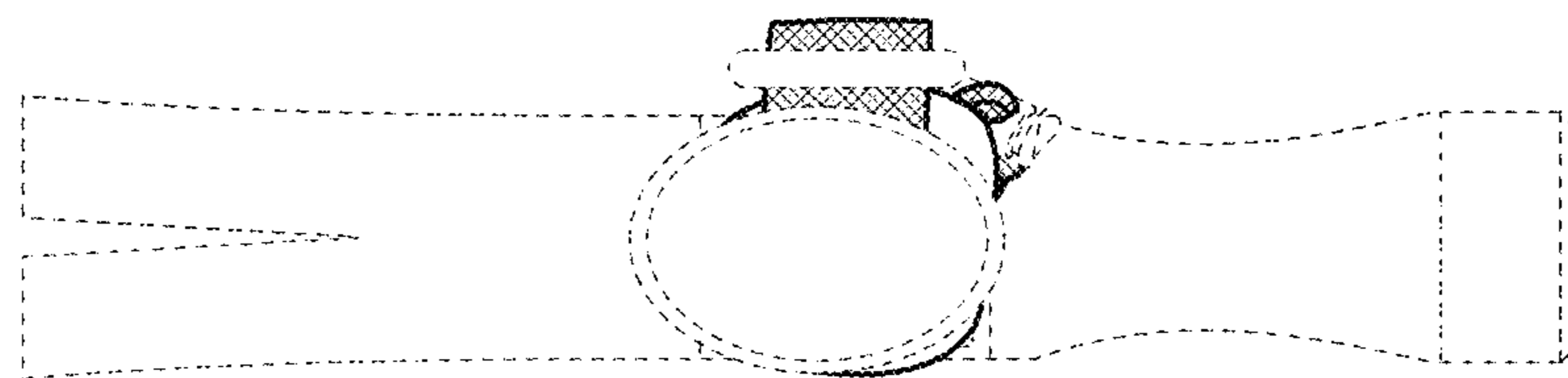


Fig. 7