



US00D796823S

(12) **United States Design Patent** (10) **Patent No.:** **US D796,823 S**  
**Schenone** (45) **Date of Patent:** **\*\* Sep. 12, 2017**

- (54) **SHOE UPPER**
- (71) Applicant: **NIKE, Inc.**, Beaverton, OR (US)
- (72) Inventor: **Kyle D. Schenone**, Beaverton, OR (US)
- (73) Assignee: **NIKE, Inc.**, Beaverton, OR (US)
- (\*\*) Term: **15 Years**
- (21) Appl. No.: **29/553,860**
- (22) Filed: **Feb. 5, 2016**
- (51) **LOC (10) Cl.** ..... **04-02**
- (52) **U.S. Cl.**  
USPC ..... **D2/972**
- (58) **Field of Classification Search**  
USPC ..... D2/900, 902, 907, 909-912, 915,  
D2/923-927, 929-930, 939, 942-946,  
D2/964-965, 969, 971-975, 977-978  
CPC ..... A43B 1/04; A43B 3/0078; A43B 3/06;  
A43B 3/10; A43B 3/12; A43B 3/126;  
A43B 3/24; A43B 5/00; A43B 5/04;  
A43B 5/06; A43B 5/10; A43B 9/00;  
A43B 11/00; A43B 23/00; A43B  
23/0205; A43B 23/0245; A43B 23/025;  
A43B 23/04; A43B 23/24; A43B 23/25;  
A43B 23/26  
See application file for complete search history.

(56) **References Cited**

**U.S. PATENT DOCUMENTS**

4,103,439	A	*	8/1978	Abramson	.....	A43B 3/16 36/7.3
D297,782	S	*	9/1988	Brown	.....	D2/974
D301,657	S	*	6/1989	Brown	.....	D2/972
D314,673	S	*	2/1991	Legare	.....	D5/53
D385,096	S	*	10/1997	Hoefl	.....	D2/972
D385,102	S	*	10/1997	Avar	.....	D2/946
D392,106	S	*	3/1998	Thomas	.....	D5/53
D456,985	S	*	5/2002	Clegg	.....	D2/972

D471,350	S	*	3/2003	Roulo	.....	D2/972
D484,300	S	*	12/2003	Smith	.....	D2/972
D500,408	S	*	1/2005	Rask	.....	D2/972
D511,884	S	*	11/2005	Hatfield	.....	D2/972
D524,023	S	*	7/2006	Avar	.....	D2/972
D524,518	S	*	7/2006	James	.....	D2/896
D524,530	S	*	7/2006	Avar	.....	D2/972
D532,964	S	*	12/2006	Kuerbis	.....	D2/972
D544,689	S	*	6/2007	Link	.....	D2/972
D544,700	S	*	6/2007	Link	.....	D2/946
D568,039	S	*	5/2008	Kuerbis	.....	D2/972
D572,452	S	*	7/2008	Kuerbis	.....	D2/969
D573,337	S	*	7/2008	McMillan	.....	D2/972
D576,383	S	*	9/2008	Weber	.....	D2/902
D585,189	S	*	1/2009	Jarvis	.....	D2/972
D587,001	S	*	2/2009	Jarvis	.....	D2/972
D595,497	S	*	7/2009	Link	.....	D2/972
D634,918	S	*	3/2011	Katz	.....	D2/902

(Continued)

*Primary Examiner* — Sandra Snapp  
*Assistant Examiner* — Katherine Glennon  
(74) *Attorney, Agent, or Firm* — Banner & Witcoff, Ltd.

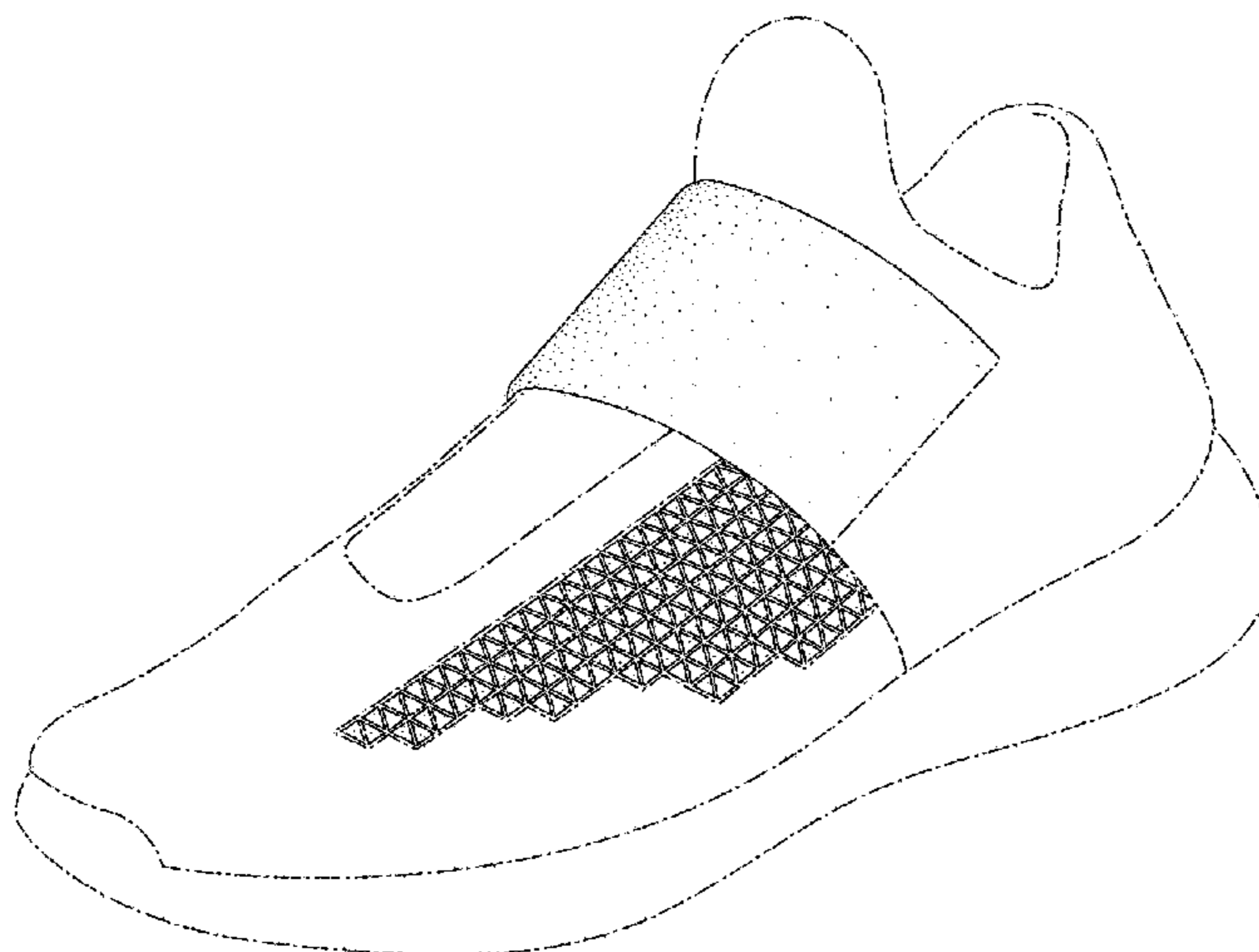
(57) **CLAIM**

The ornamental design for a shoe upper, as shown and described.

**DESCRIPTION**

FIG. 1 is a front perspective view of a shoe upper showing our new design;  
FIG. 2 is a side view thereof;  
FIG. 3 is a front view thereof; and,  
FIG. 4 is an enlarged view of FIG. 3 with additional environmental features removed for clarity purposes.  
The broken lines immediately adjacent to the shaded area define the bounds of the claimed design and form no part thereof. The unshaded regions within or adjacent to the shaded area form no part of the claimed design. The broken lines showing the remainder of the shoe are for environmental purposes only and form no part of the claimed design.

**1 Claim, 4 Drawing Sheets**



(56)

References Cited

U.S. PATENT DOCUMENTS

D635,340	S *	4/2011	Blakeslee	.....	D2/923
D649,763	S *	12/2011	Chang	.....	D2/972
D650,572	S *	12/2011	Chang	.....	D2/972
D668,030	S *	10/2012	Youngs	.....	D2/946
D674,178	S *	1/2013	Petrie	.....	D2/972
D680,729	S *	4/2013	Rasmussen	.....	D2/972
D682,526	S *	5/2013	Link	.....	D2/972
D682,528	S *	5/2013	Link	.....	D2/972
D683,532	S *	6/2013	O'Connor	.....	D2/972
D684,347	S *	6/2013	Chang	.....	D2/951
D690,092	S *	9/2013	Dombrow	.....	D2/972
D692,648	S *	11/2013	Anceresi	.....	D2/972
D711,080	S *	8/2014	Hollister	.....	D2/946
D713,632	S *	9/2014	da Costa Pereira		
			Machado	.....	D2/972
D723,777	S *	3/2015	Cin	.....	D2/951
D753,376	S *	4/2016	Birkinhead	.....	D2/902
D771,932	S *	11/2016	Little	.....	D2/973
D778,570	S *	2/2017	Kirschner	.....	D2/972
2008/0216355	A1 *	9/2008	Becker	.....	A43B 13/026
					36/102
2014/0150297	A1 *	6/2014	Holmes	.....	A43B 13/125
					36/103
2015/0121723	A1 *	5/2015	Duran	.....	A43B 3/242
					36/83

\* cited by examiner

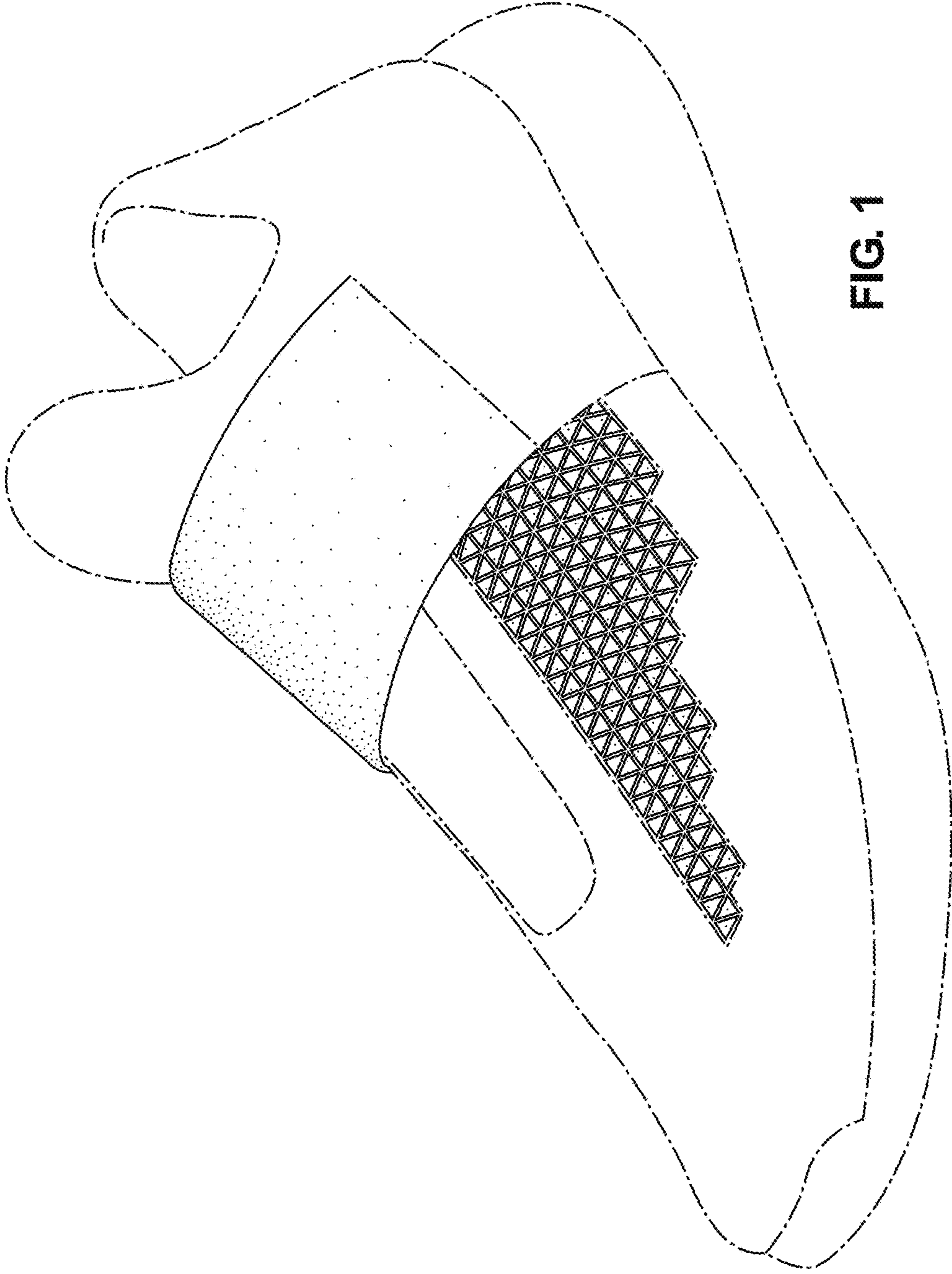


FIG. 1

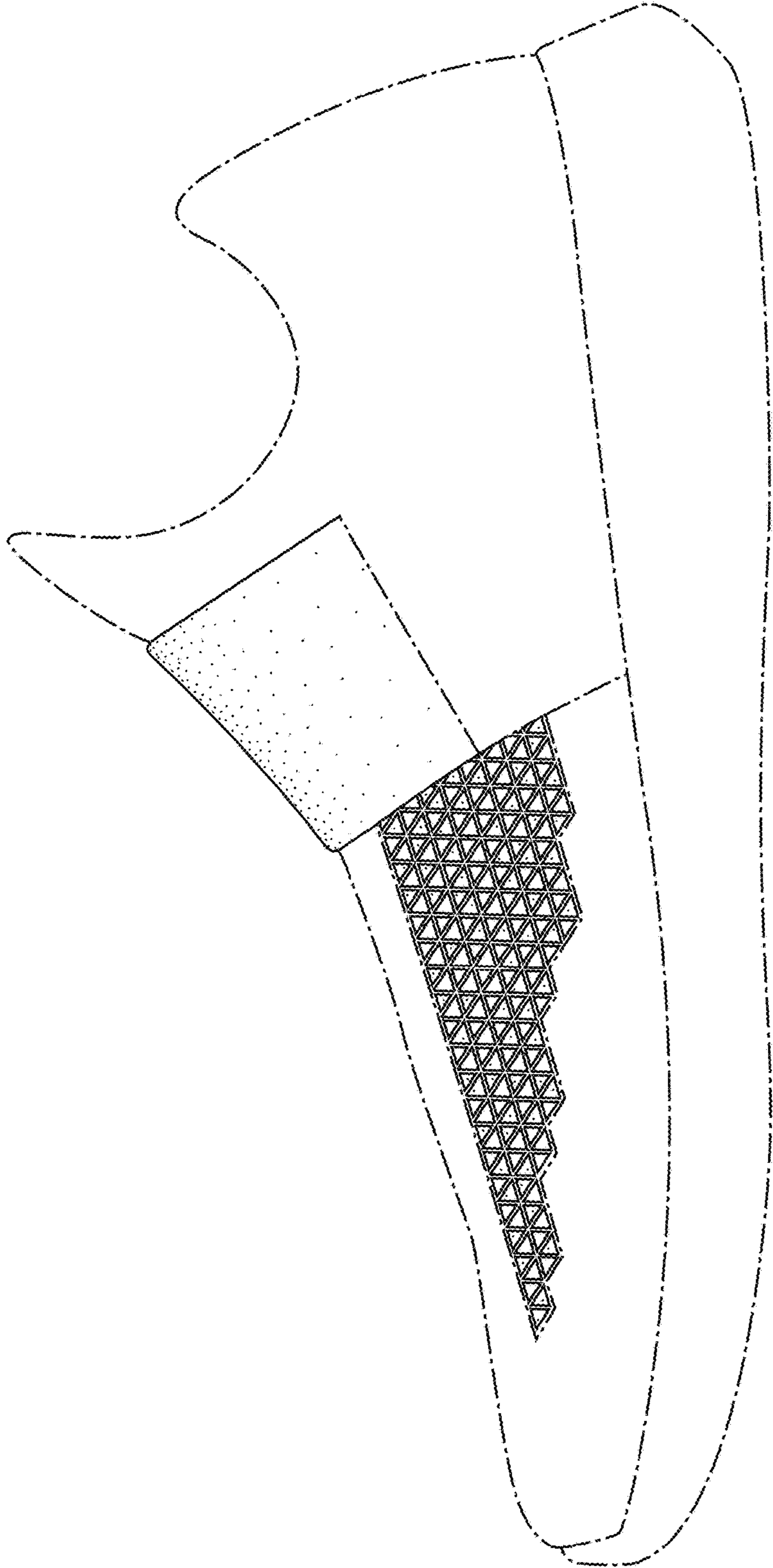


FIG. 2

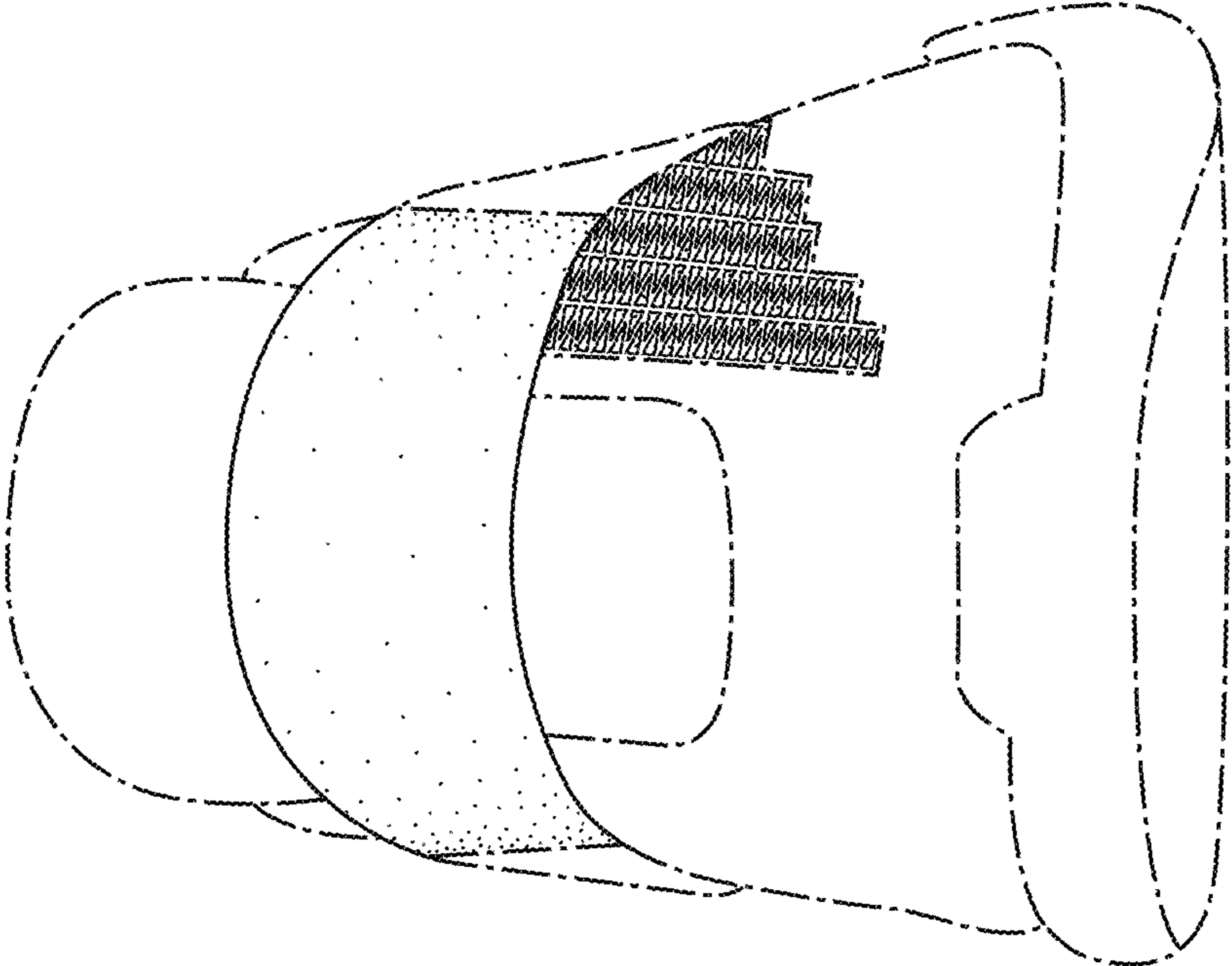


FIG. 3

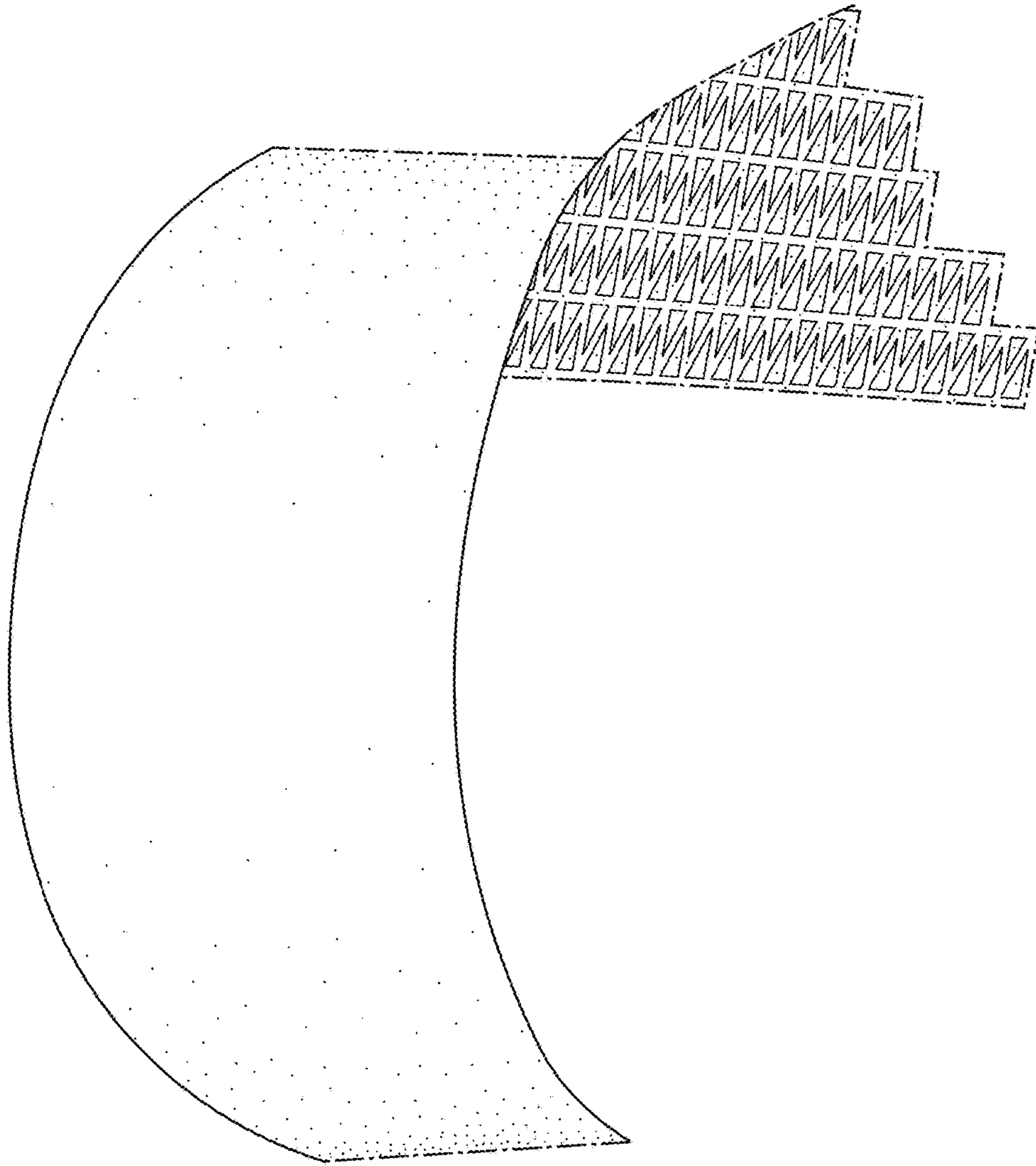


FIG. 4