



US00D796801S

(12) **United States Design Patent**
Schwartz

(10) **Patent No.:** **US D796,801 S**

(45) **Date of Patent:** **** Sep. 12, 2017**

(54) **SOLE**

(71) Applicant: **AETREX WORLDWIDE, INC.**,
Teaneck, NJ (US)

(72) Inventor: **Evan L. Schwartz**, Teaneck, NJ (US)

(73) Assignee: **AETREX WORLDWIDE, INC.**,
Teaneck, NJ (US)

(**) Term: **15 Years**

(21) Appl. No.: **29/555,267**

(22) Filed: **Feb. 19, 2016**

(51) **LOC (10) Cl.** **02-04**

(52) **U.S. Cl.**
USPC **D2/947**

(58) **Field of Classification Search**
USPC D2/902, 906, 908, 916, 918, 925,
D2/946-962, 977
CPC A43B 13/00; A43B 13/02; A43B 13/023;
A43B 13/026; A43B 13/04; A43B 13/08;
A43B 13/10; A43B 13/12; A43B 13/14;
A43B 13/141; A43B 13/143; A43B
13/16; A43B 13/18; A43B 13/181; A43B
13/187; A43B 13/189; A43B 13/20; A43B
13/22; A43B 13/223; A43B 13/24; A43B
13/28; A43B 13/30; A43B 13/32; A43B
13/34; A43B 13/36

See application file for complete search history.

(56) **References Cited**

U.S. PATENT DOCUMENTS

D542,514 S * 5/2007 Amado D2/927
D545,034 S * 6/2007 Amado D2/927
D603,588 S * 11/2009 McClaskie D2/916
D607,195 S * 1/2010 Feller D2/961
D627,547 S * 11/2010 McClaskie D2/951
D656,718 S * 4/2012 Pope D2/947

D665,978 S * 8/2012 Green D2/917
D677,867 S * 3/2013 Bizzo D2/947
D730,640 S * 6/2015 Spring D2/951
D733,409 S * 7/2015 Catelli D2/922
D737,028 S * 8/2015 Bizzo D2/947
D737,029 S * 8/2015 Bizzo D2/947

OTHER PUBLICATIONS

Skechers Cali Women's Rumbler Sci-Fi Wedge Sanda, posted at amazon.com, earliest date available Dec. 16, 2014, [online], acquired on Jul. 7, 2017. Available from Internet, <URL: https://www.amazon.com/Skechers-Womens-Rumbler-Sci-Fi-Sandal/dp/B015SSPRAQ/ref=cm_cr_arp_d_product_top?ie=UTF8>.*

* cited by examiner

Primary Examiner — Marianne Pandozzi

Assistant Examiner — Aula Soroush

(74) *Attorney, Agent, or Firm* — Saul Ewing LLP

(57) **CLAIM**

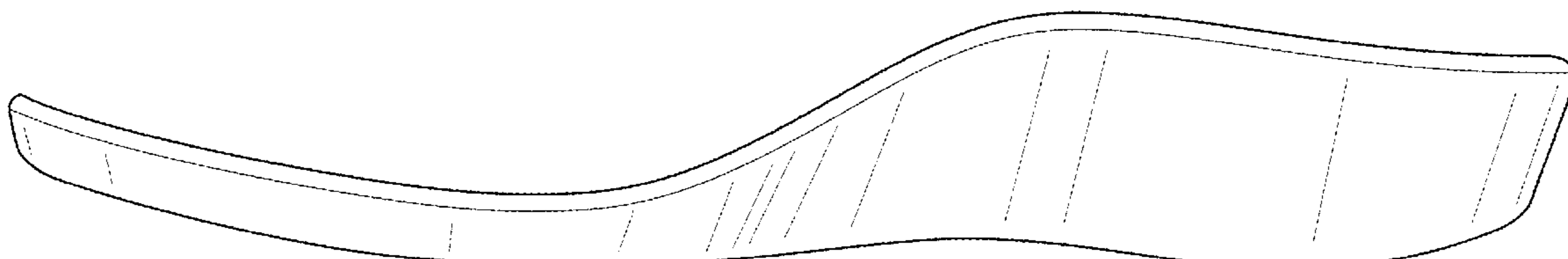
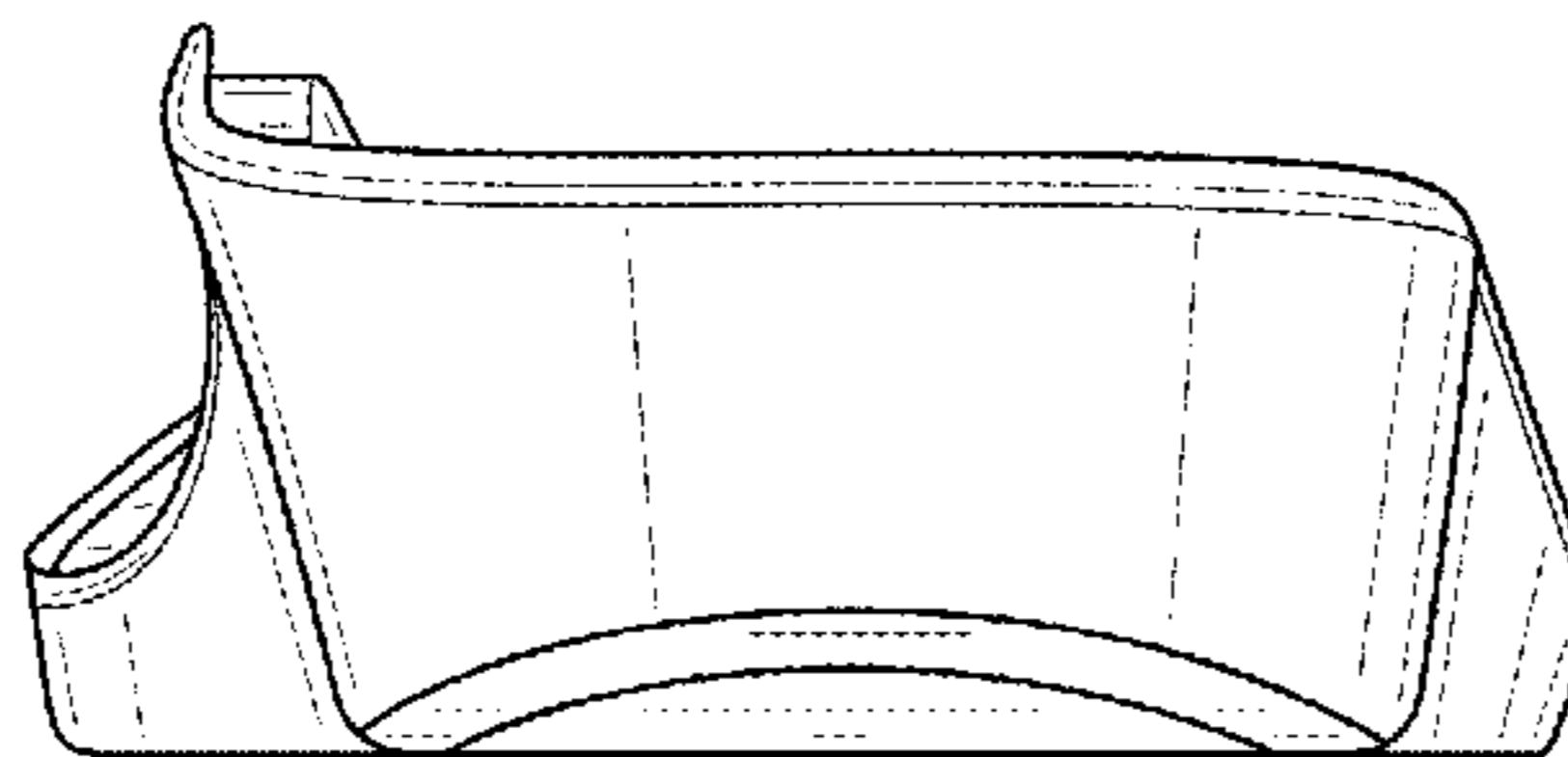
The ornamental design for a sole, as shown and described.

DESCRIPTION

FIG. 1 is a perspective view of a sole showing my new design;
FIG. 2 is a front view thereof;
FIG. 3 is a rear view thereof;
FIG. 4 is a right-side elevation view thereof;
FIG. 5 is a left-side elevation view thereof;
FIG. 6 is a bottom plan view thereof;
FIG. 7 is a top plan view thereof; and,
FIG. 8 is an environmental perspective view shown with an upper attached.

The broken lines in the drawings illustrating a shoe are environmental purposes only and form no part of the claimed design.

1 Claim, 8 Drawing Sheets



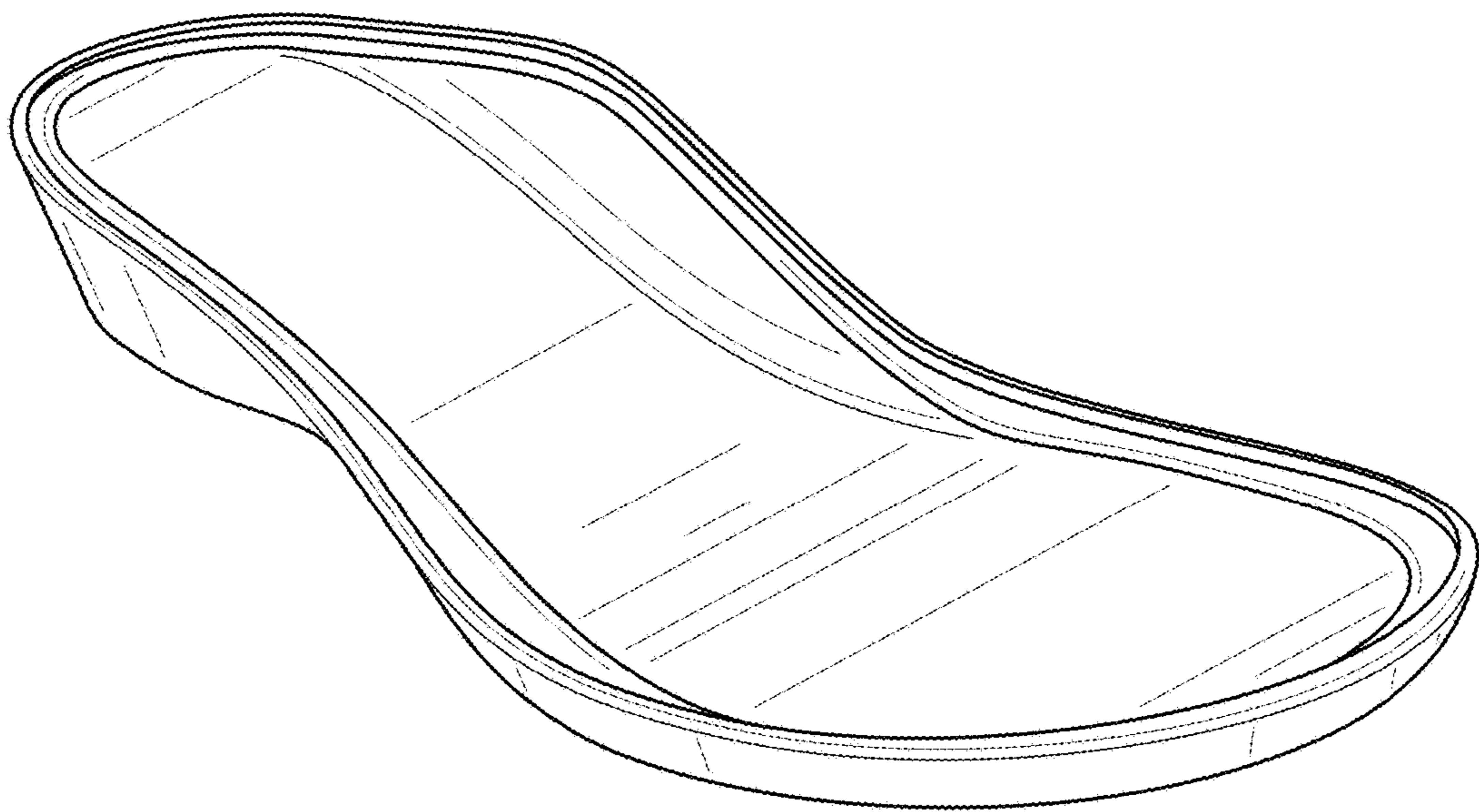


FIG. 1

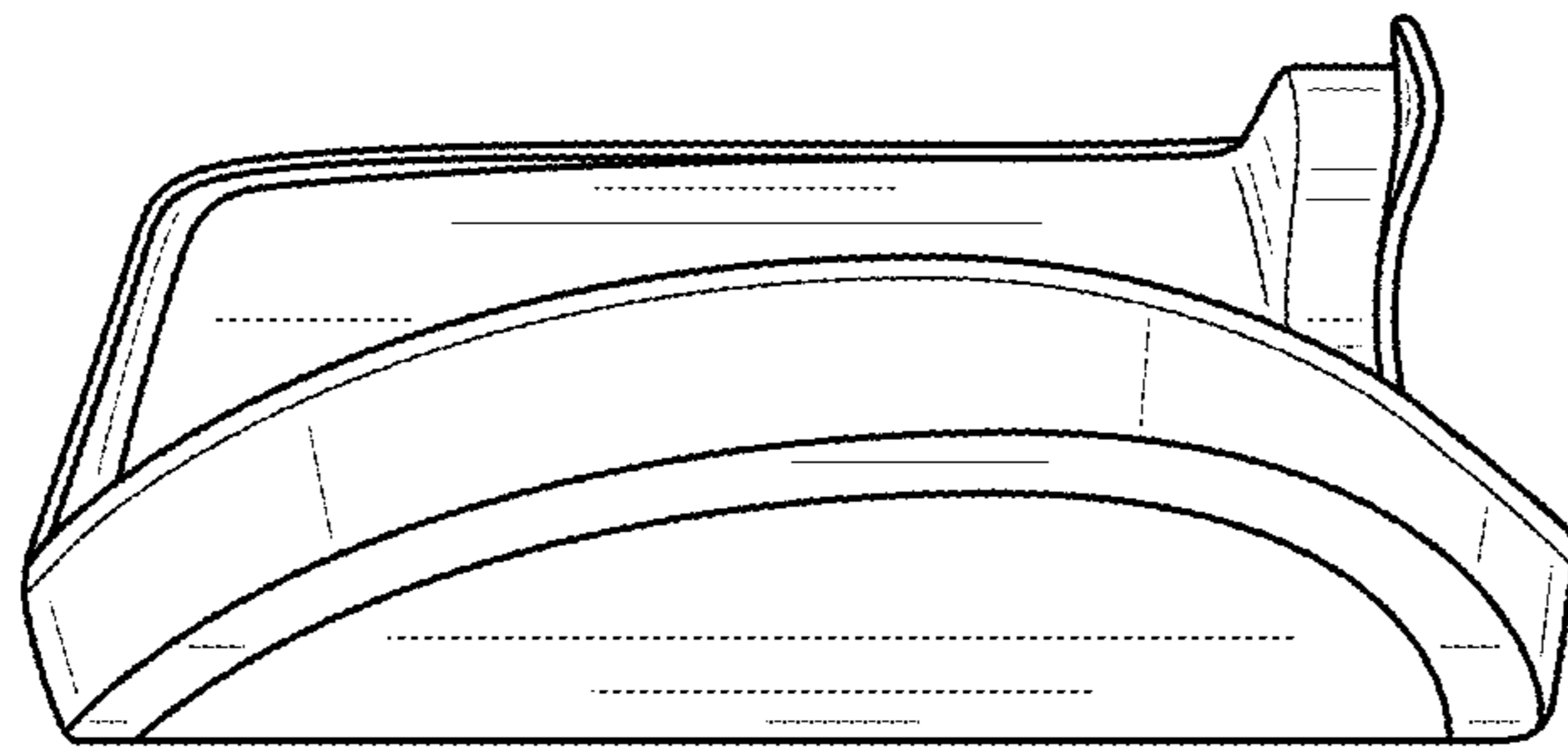


FIG. 2

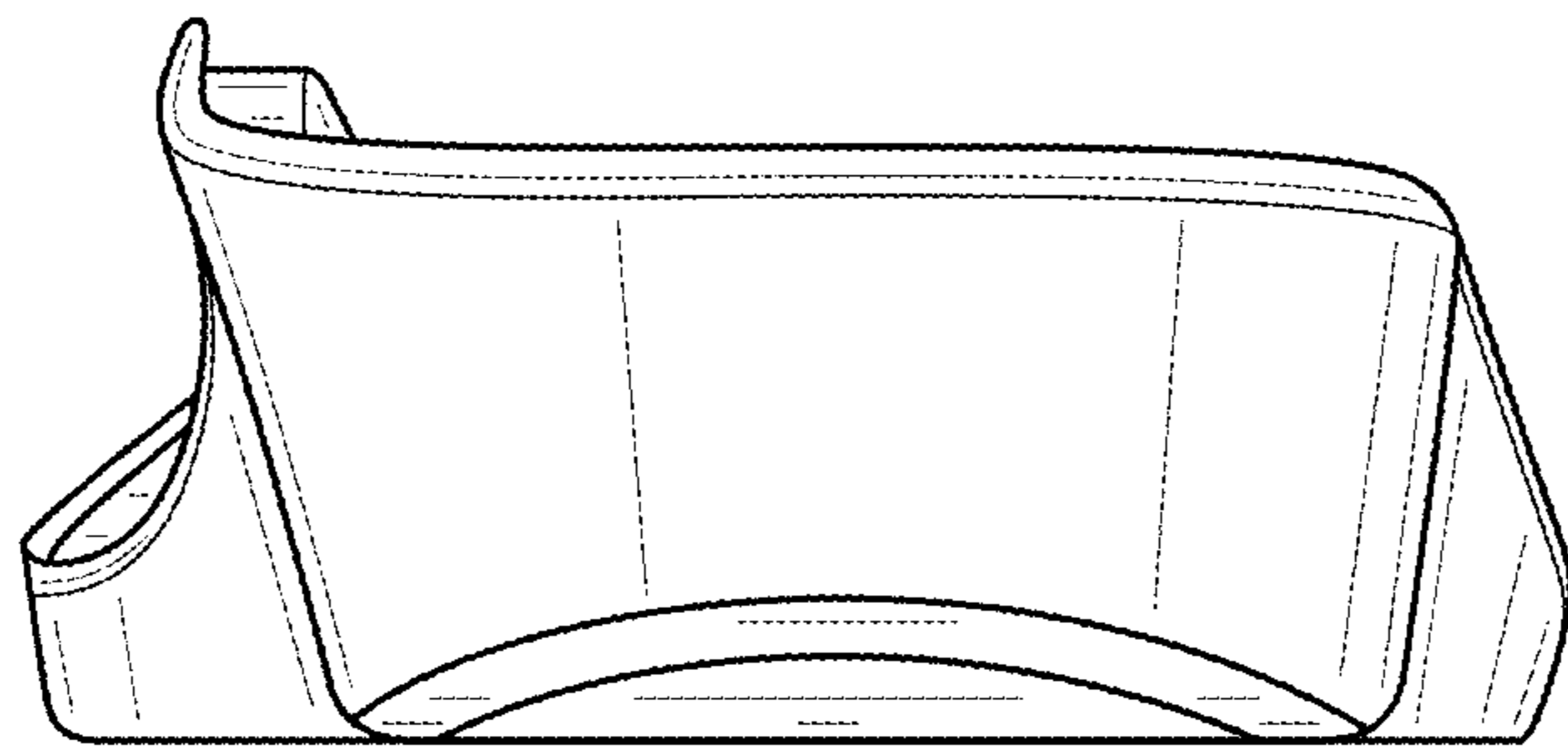


FIG. 3

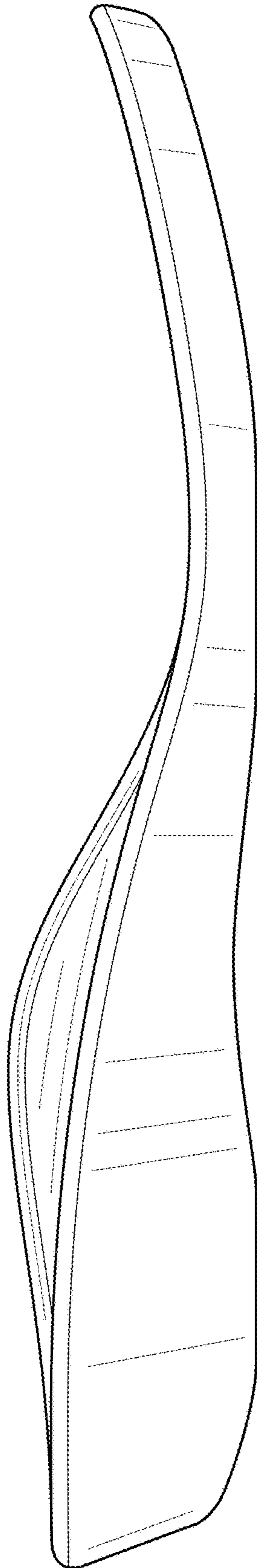


FIG. 4

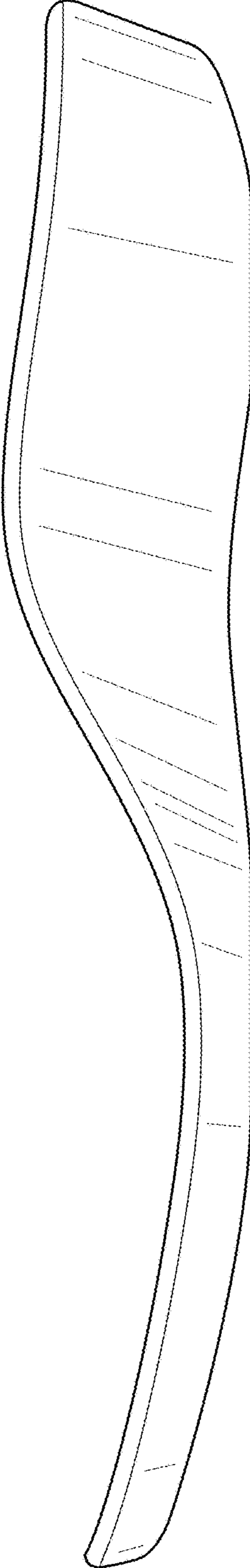


FIG. 5

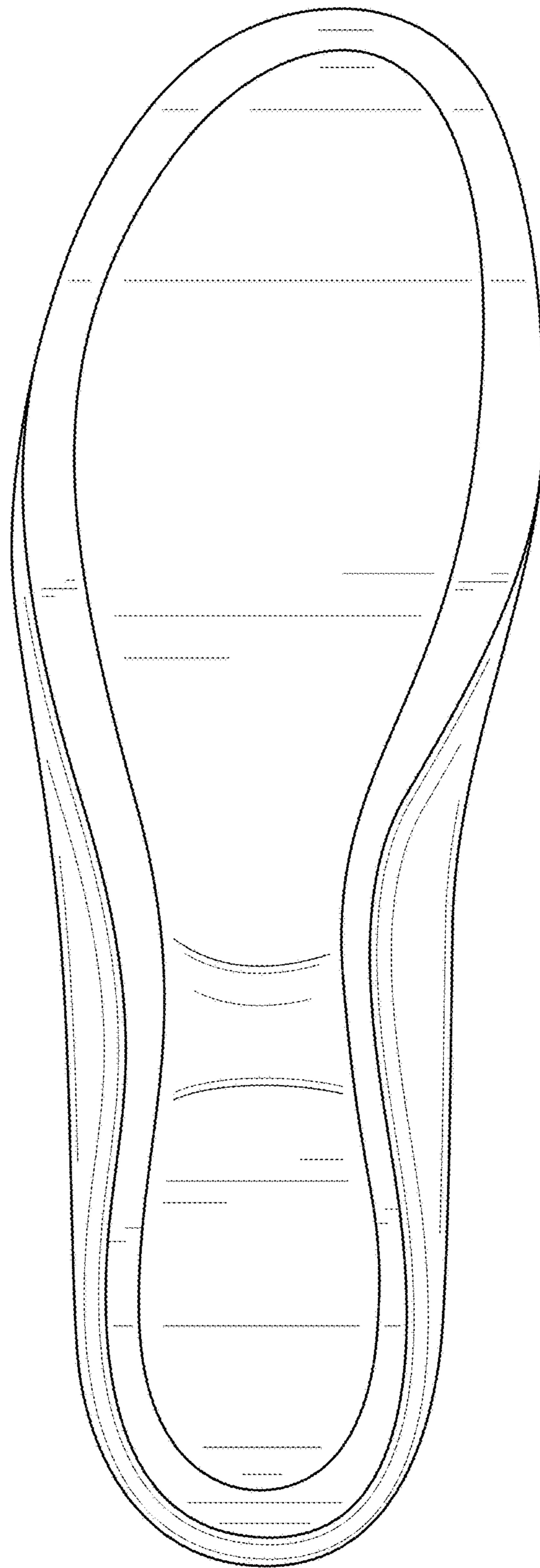


FIG. 6

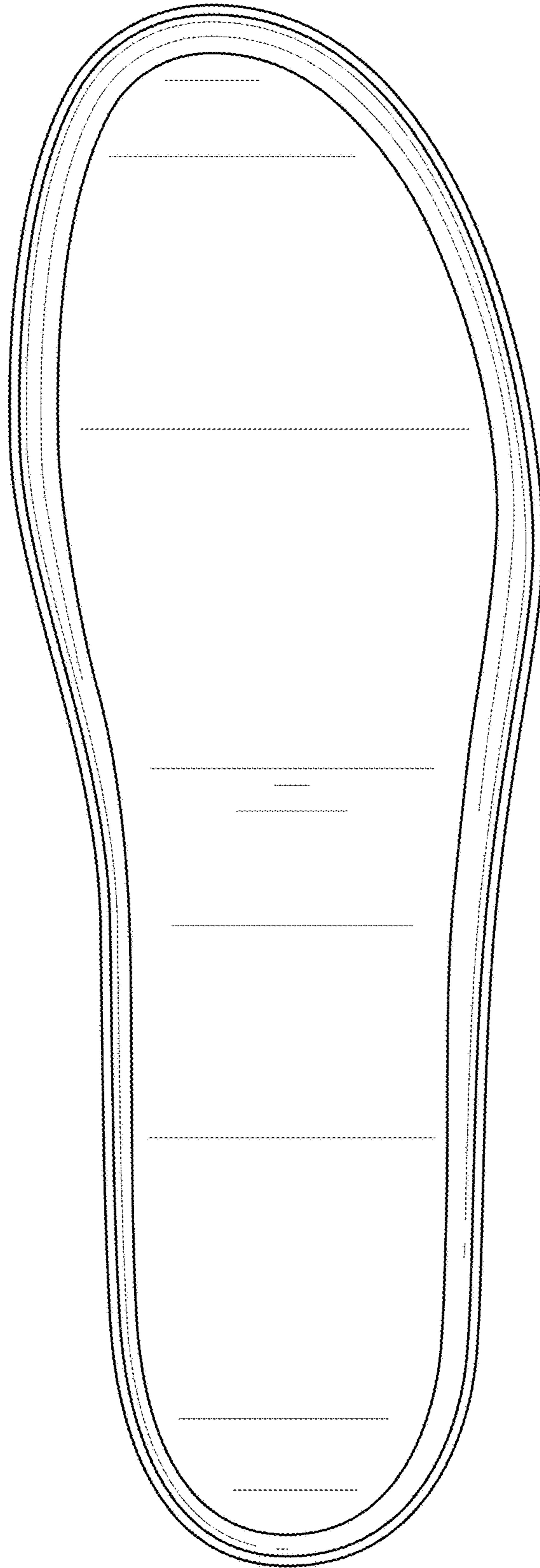


FIG. 7



FIG. 8