



US00D796795S

(12) **United States Design Patent**
Richards

(10) **Patent No.:** **US D796,795 S**

(45) **Date of Patent:** **** Sep. 12, 2017**

(54) **SUN VISOR SHOE**

(71) Applicant: **Treva Richards**, Cordova, TN (US)

(72) Inventor: **Treva Richards**, Cordova, TN (US)

(**) Term: **14 Years**

(21) Appl. No.: **29/522,205**

(22) Filed: **Mar. 27, 2015**

(51) **LOC (10) Cl.** **02-04**

(52) **U.S. Cl.**

USPC **D2/916**; D2/897

(58) **Field of Classification Search**

USPC D2/896, 901, 902, 906, 909, 910, 913,
D2/914, 915, 948, 954, 962, 972, 876;
D24/192; 36/7.1 R, 113, 114, 126-130,
36/132, 2 R, 1.5, 58.5, 69, 77 R, 7.3, 135;
D29/121.2

CPC .. A43B 3/20; A43B 3/16; A43B 13/38; A43B
23/00; A43B 5/12; A43B 3/122; A43B
3/10; A43C 11/00

See application file for complete search history.

(56) **References Cited**

U.S. PATENT DOCUMENTS

D153,768 S * 5/1949 Diamant D2/916
D285,021 S * 8/1986 Chandler D2/876
5,553,325 A * 9/1996 Gutierrez A61F 9/045
2/12
D415,606 S * 10/1999 Bray, Jr. D2/919
D423,194 S * 4/2000 Shwartz D2/876
D447,318 S * 9/2001 Gath D2/876

D479,906 S * 9/2003 Hawker D2/969
D507,092 S * 7/2005 Kim D2/876
D596,381 S * 7/2009 Pharis D2/876
D597,734 S * 8/2009 Beckett D2/909
D618,448 S * 6/2010 Hill D2/896
D686,804 S * 7/2013 Whittington D2/876
D723,250 S * 3/2015 Taylor D2/913
2003/0009909 A1 * 1/2003 Chen A43B 3/126
36/11.5
2011/0023335 A1 * 2/2011 Carol A43B 3/10
36/9 R

* cited by examiner

Primary Examiner — Holly Baynham

Assistant Examiner — Rashida C Walshon

(74) *Attorney, Agent, or Firm* — William S. Parks

(57) **CLAIM**

The ornamental design for the sun visor shoe, as shown and described.

DESCRIPTION

FIG. 1 is a side perspective view of a sun visor shoe showing my new design;

FIG. 2 is a right side view thereof;

FIG. 3 is a left side view thereof;

FIG. 4 is a top view thereof;

FIG. 5 is a front view thereof; and,

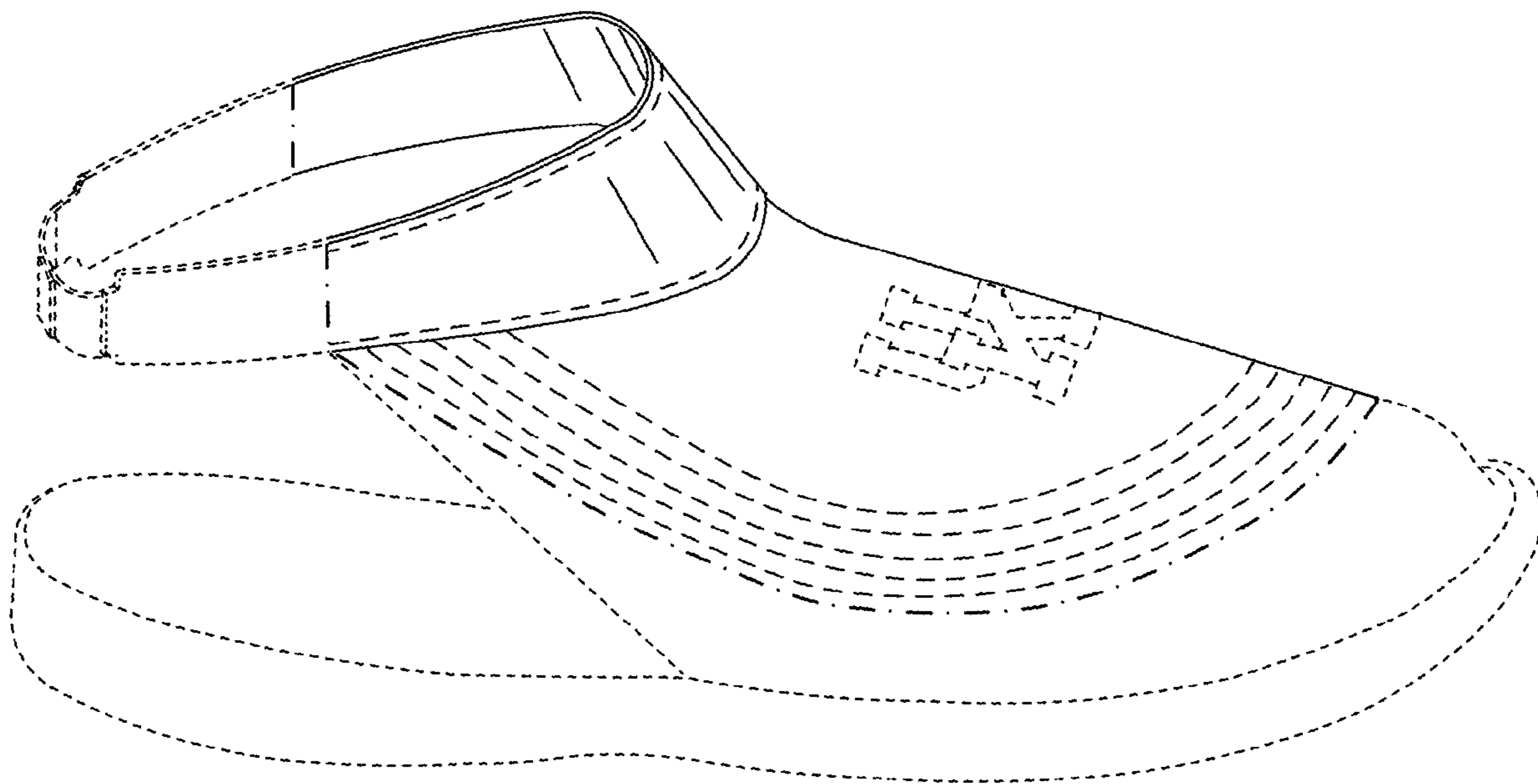
FIG. 6 is a rear view thereof.

The thick dash lines on the shoe upper are claimed stitching.

The short broken lines represent unclaimed subject matter.

The dash-dot-dash lines represent the bounds of the claimed design and represent no part of the claimed design.

1 Claim, 3 Drawing Sheets



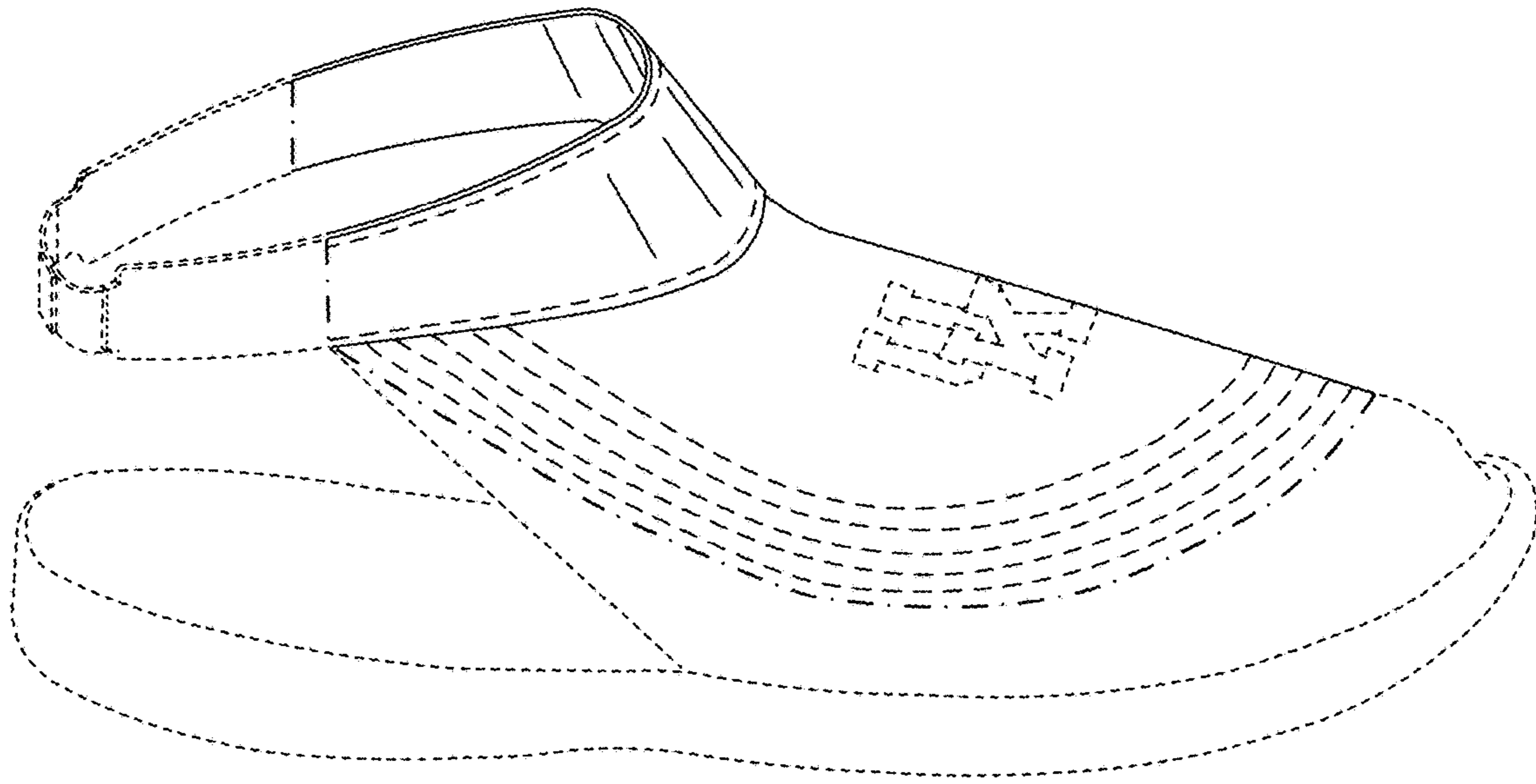


FIG. 1

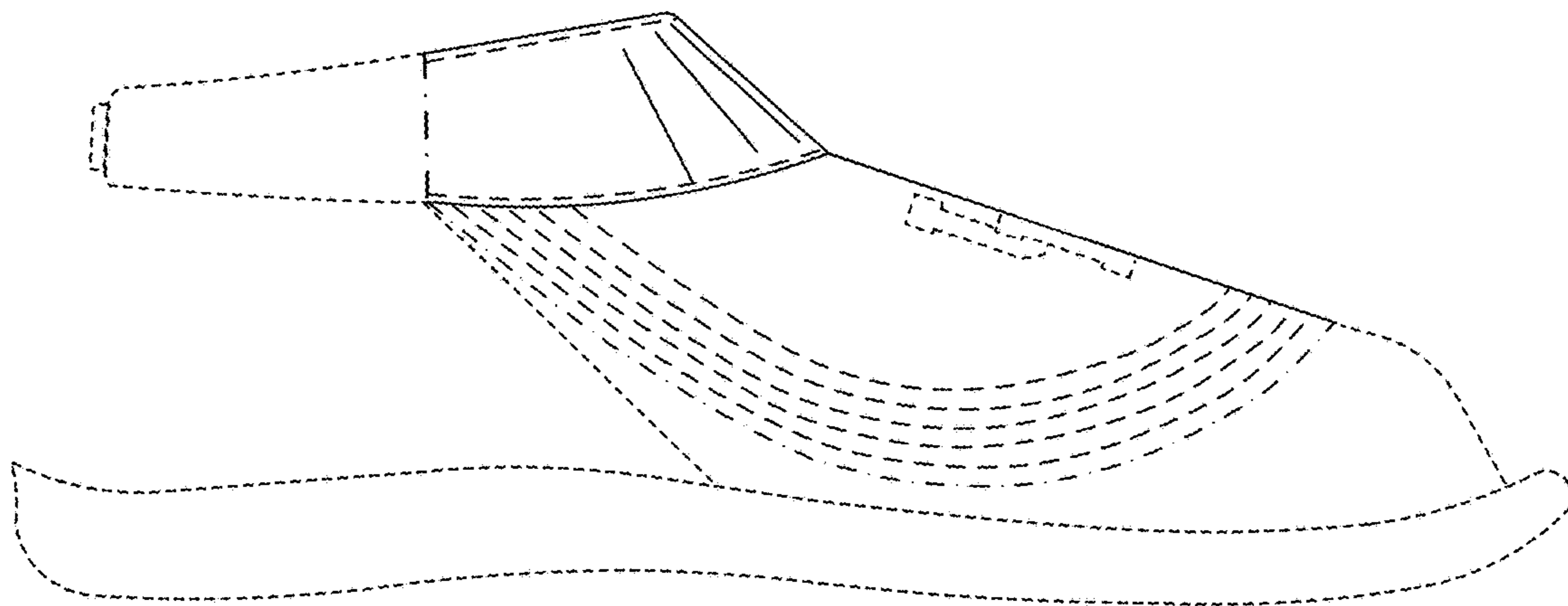


FIG. 2

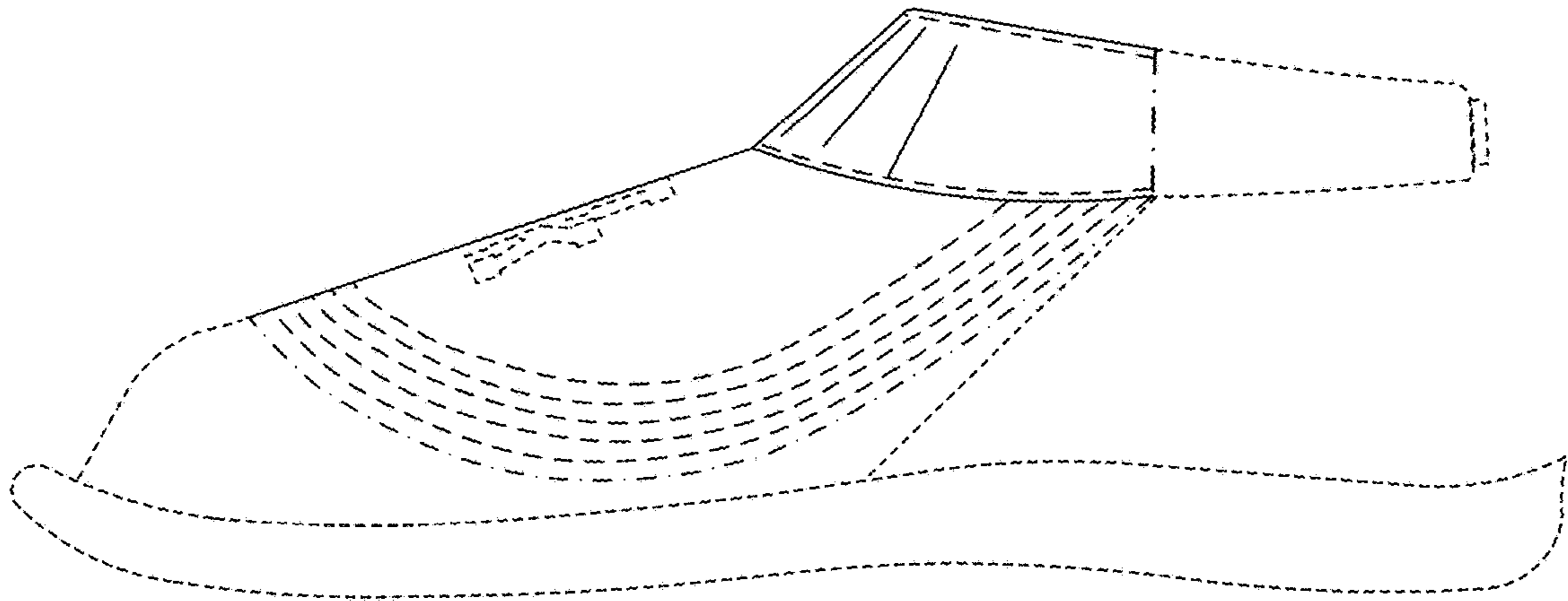


FIG. 3

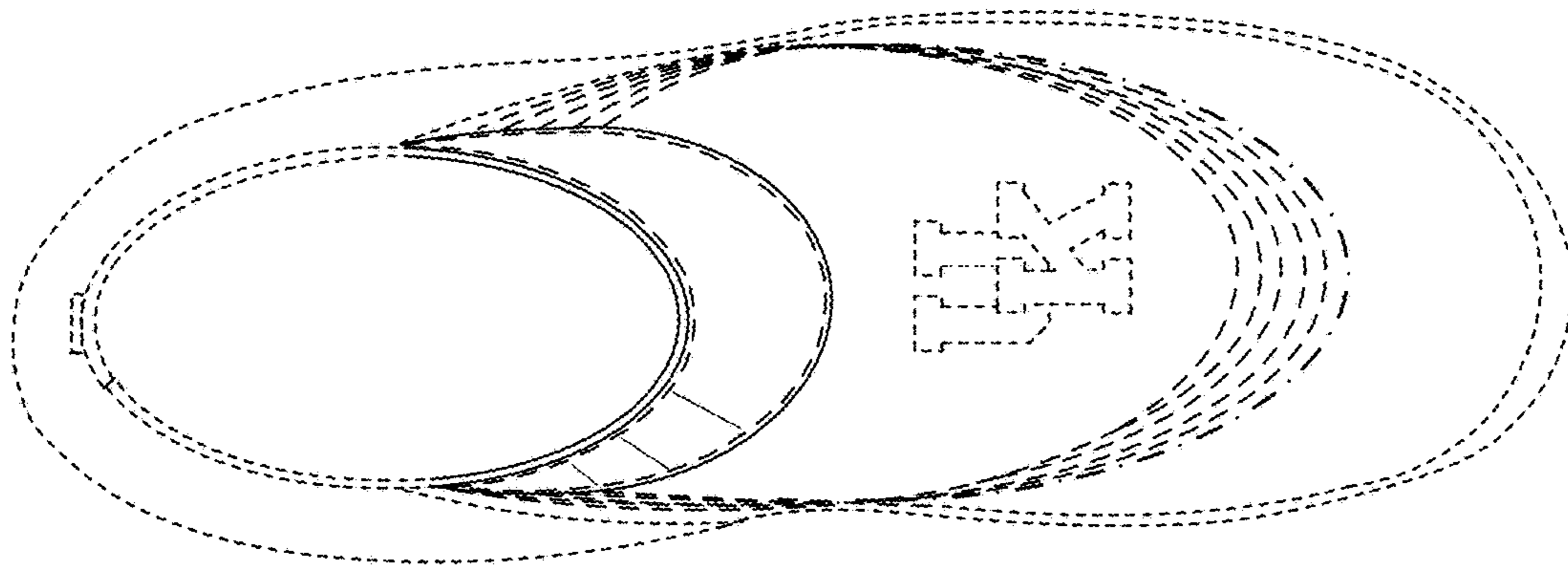


FIG. 4

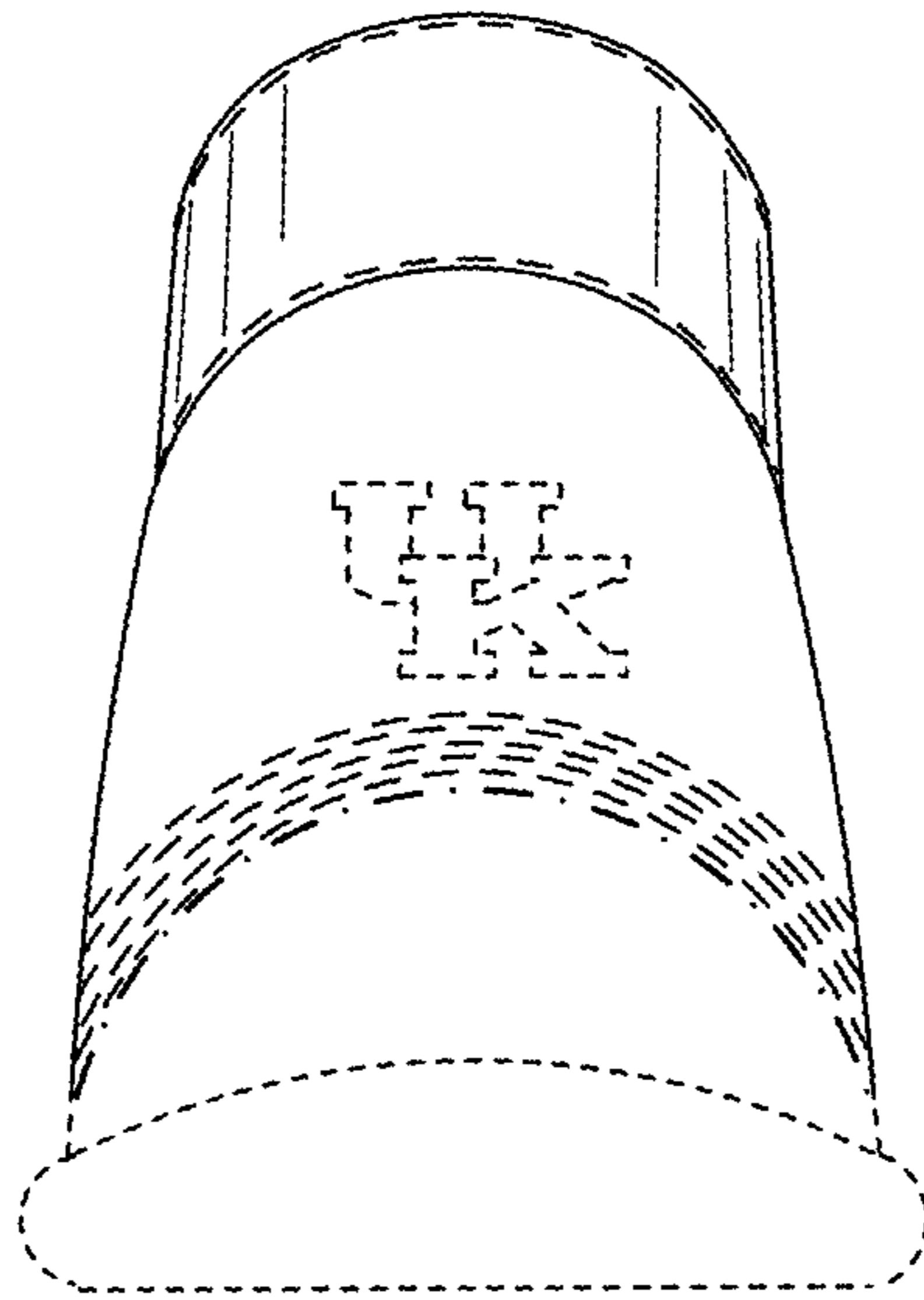


FIG. 5

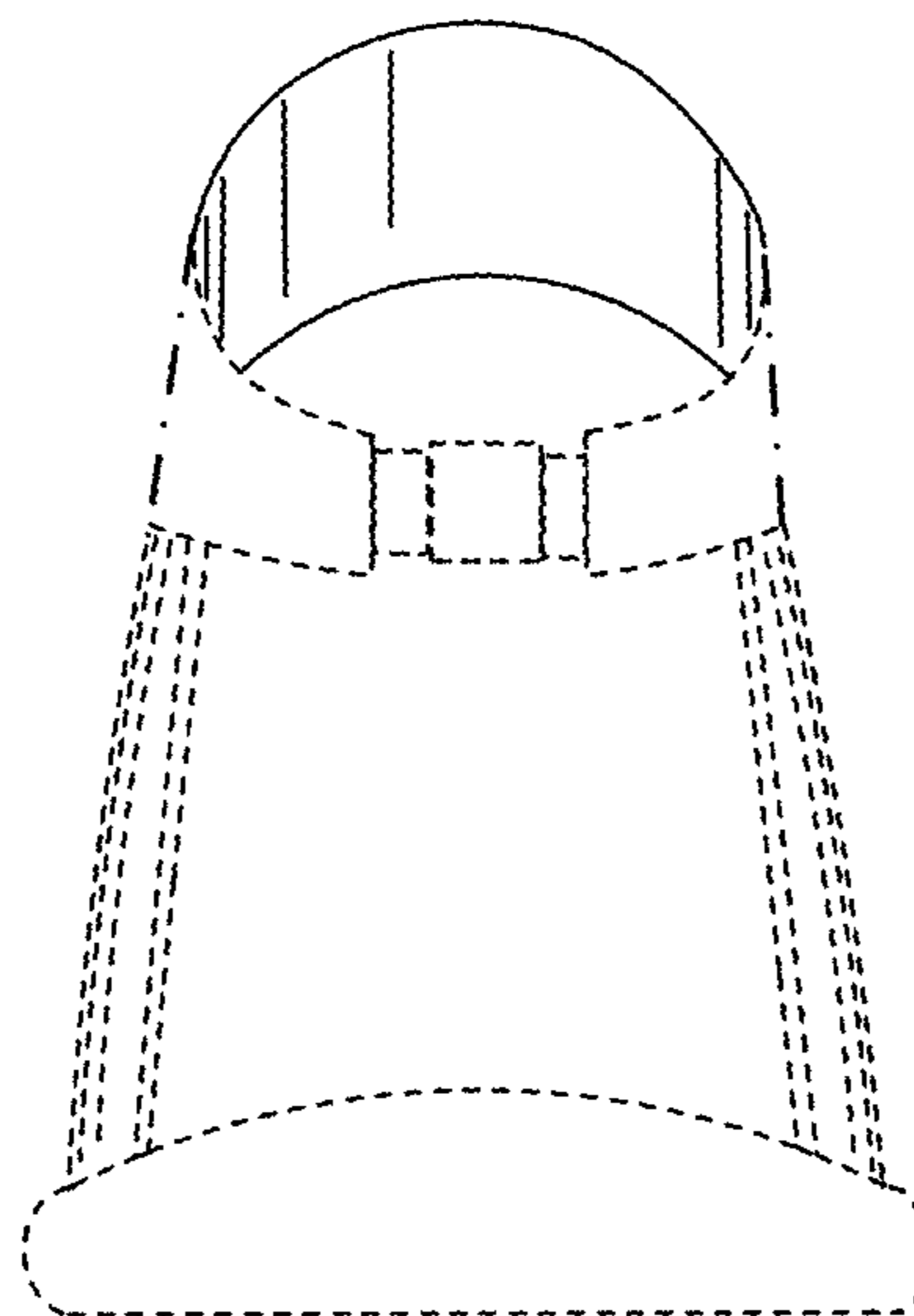


FIG. 6