



US00D796794S

(12) **United States Design Patent**
Denton

(10) **Patent No.:** **US D796,794 S**

(45) **Date of Patent:** **** Sep. 12, 2017**

- (54) **HAT**
- (71) Applicant: **Carol Denton**, Bonita Springs, FL (US)
- (72) Inventor: **Carol Denton**, Bonita Springs, FL (US)
- (**) Term: **15 Years**
- (21) Appl. No.: **29/570,092**
- (22) Filed: **Jul. 5, 2016**
- (51) **LOC (10) Cl.** **02-03**
- (52) **U.S. Cl.**
USPC **D2/882**
- (58) **Field of Classification Search**
USPC D2/865, 866, 869, 870, 871, 872, 873,
D2/874, 875, 876, 877, 878, 879, 880,
D2/881, 882, 883, 884, 886, 888, 891,
D2/892, 893, 894, 895
CPC A42B 1/00; A42B 1/004; A42B 1/006;
A42B 1/062; A42B 1/225
See application file for complete search history.

(56) **References Cited**

U.S. PATENT DOCUMENTS

D266,370	S	*	10/1982	Boden	D2/882
5,321,854	A	*	6/1994	Kronenberger	A42B 1/225 2/195.1
5,359,734	A	*	11/1994	Rathburn	A42B 1/248 2/195.1
D364,494	S	*	11/1995	Sisera	D2/869
5,507,205	A	*	4/1996	Ruimi	A42B 1/004 2/195.1
D372,353	S	*	8/1996	Pfefferman	D2/866
D386,888	S	*	12/1997	Grant	D2/865
5,815,831	A	*	10/1998	De Wan	G09F 21/02 2/10
D414,592	S	*	10/1999	McConnell	D2/865
D416,666	S	*	11/1999	Ballew	D2/865
D427,751	S	*	7/2000	Richlin	D2/865

6,647,553	B2		11/2003	Hoyez		
6,910,226	B2		6/2005	Hoyez		
7,490,364	B2*		2/2009	Kim	A42B 1/248 2/209.13
D603,144	S	*	11/2009	South	D2/882
D658,854	S		5/2012	Cobb		
D694,493	S	*	12/2013	Presha	D2/882
D695,496	S	*	12/2013	Richardson	D2/882
D754,422	S	*	4/2016	Zenoff	D2/882

(Continued)

Primary Examiner — Karen E. Eldridge Powers
Assistant Examiner — Jasmine Mlinarcik
(74) *Attorney, Agent, or Firm* — Reising Ethington P.C.

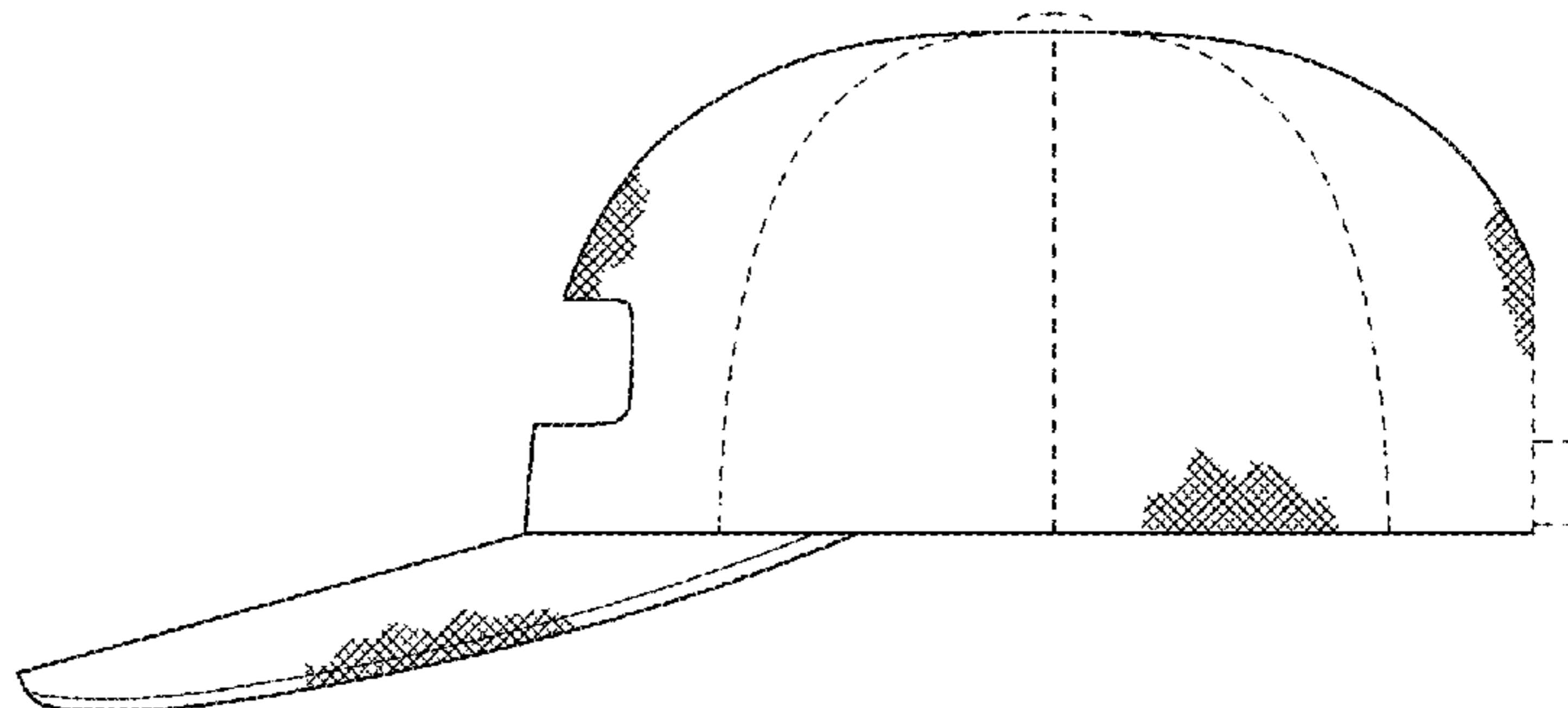
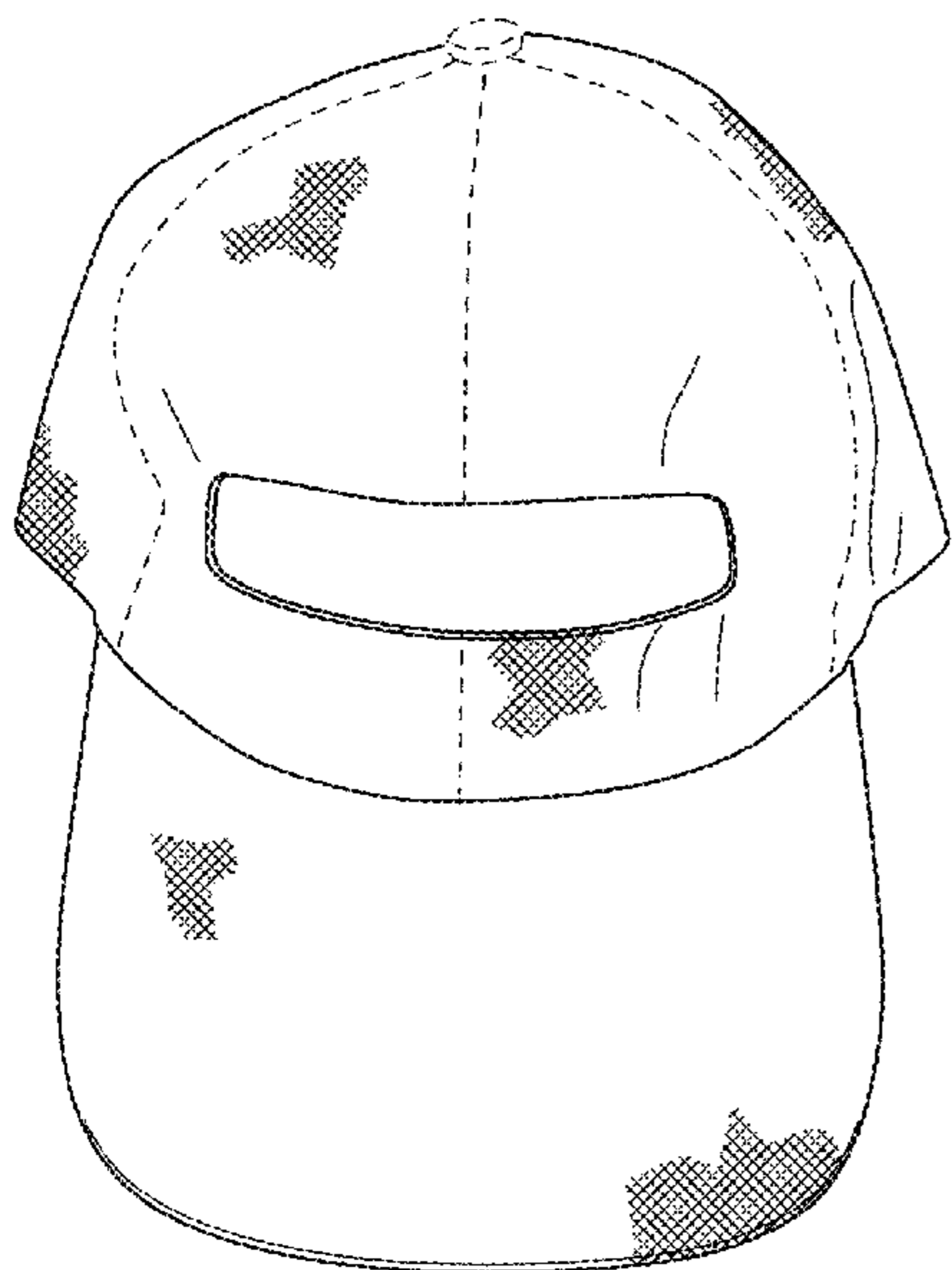
(57) **CLAIM**

The ornamental design for a hat, as shown and described.

DESCRIPTION

FIG. 1 is a perspective view of the hat;
 FIG. 2 is a front elevation view of the hat;
 FIG. 3 is a rear elevation view of the hat;
 FIG. 4 is a top plan view of the hat;
 FIG. 5 is a right side elevation view of the hat, the left side being a mirror image thereof;
 FIG. 6 is a bottom plan view of the hat;
 FIG. 7 is a perspective view of a second embodiment of the hat;
 FIG. 8 is a front elevation view of the second embodiment hat;
 FIG. 9 is a rear elevation view of the second embodiment hat;
 FIG. 10 is a top plan view of the second embodiment hat;
 FIG. 11 is a right side elevation view of the second embodiment hat, the left side being a mirror image thereof; and,
 FIG. 12 is a bottom plan view of the second embodiment hat.
 The broken lines represent environmental structure that forms no part of the claimed design.

1 Claim, 4 Drawing Sheets



(56)

References Cited

U.S. PATENT DOCUMENTS

2002/0095715 A1* 7/2002 Hong A42B 1/06
2/209.11
2007/0061944 A1* 3/2007 Briskie A42B 1/225
2/209.3

* cited by examiner

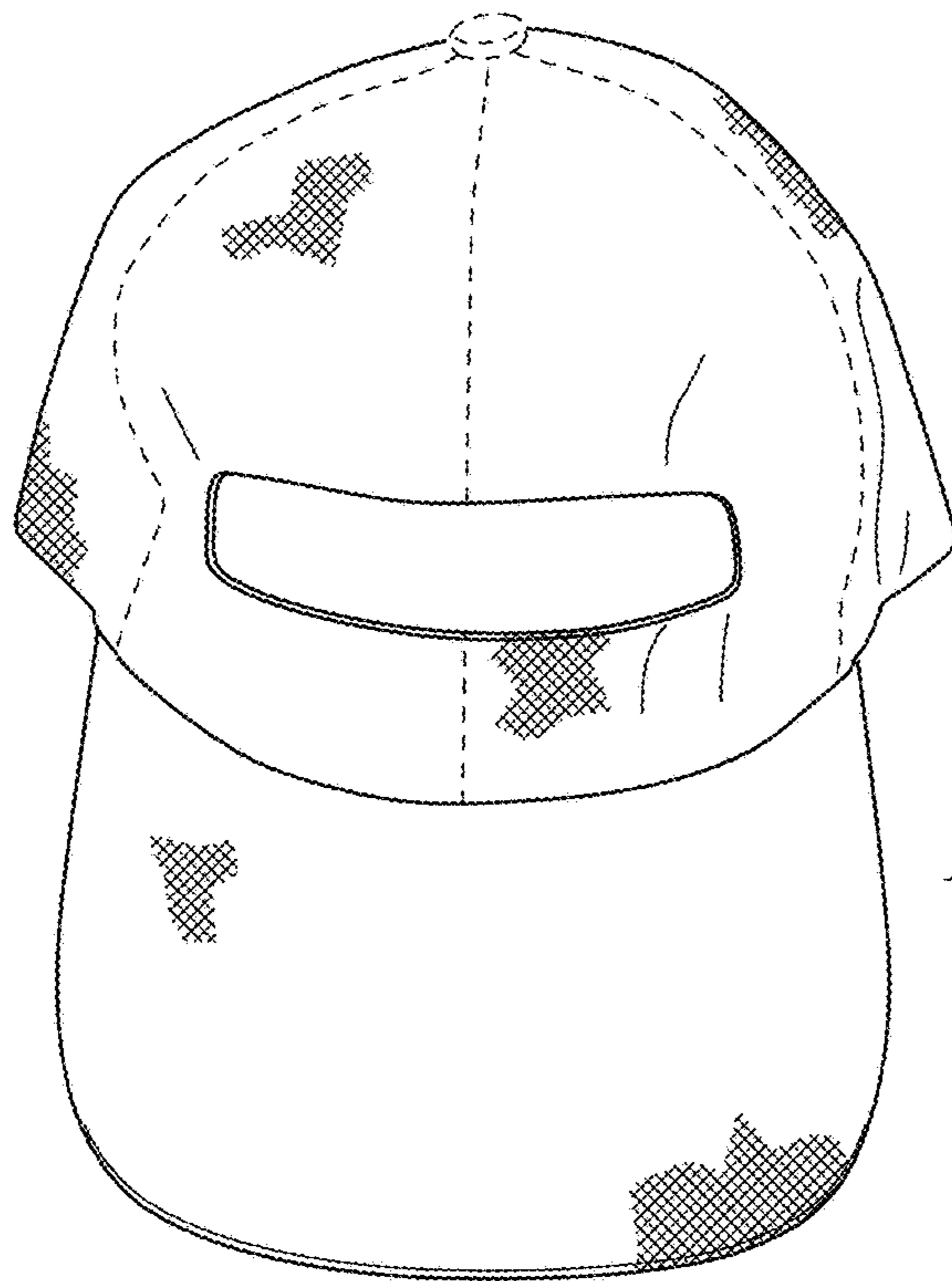


FIG. 1

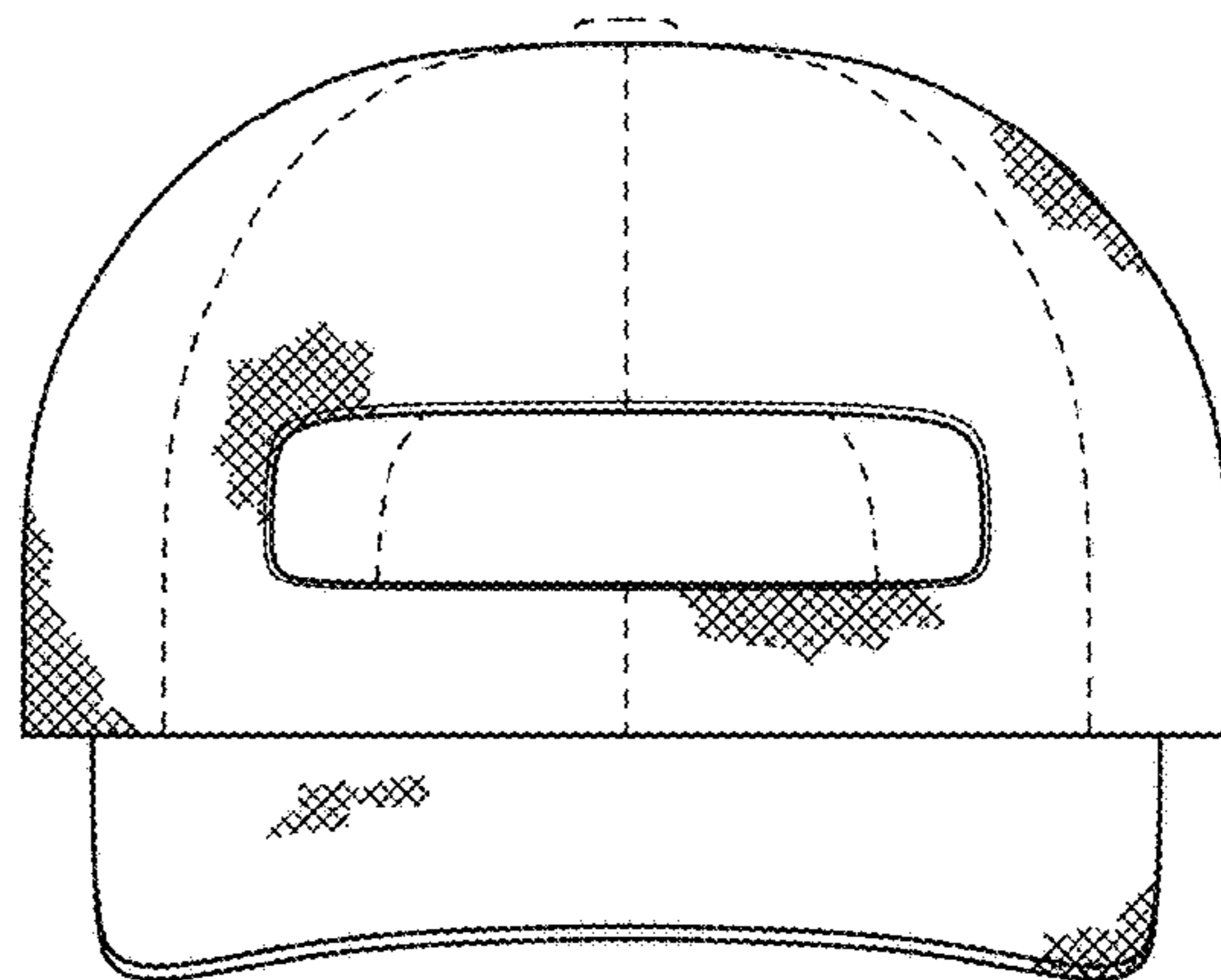


FIG. 2

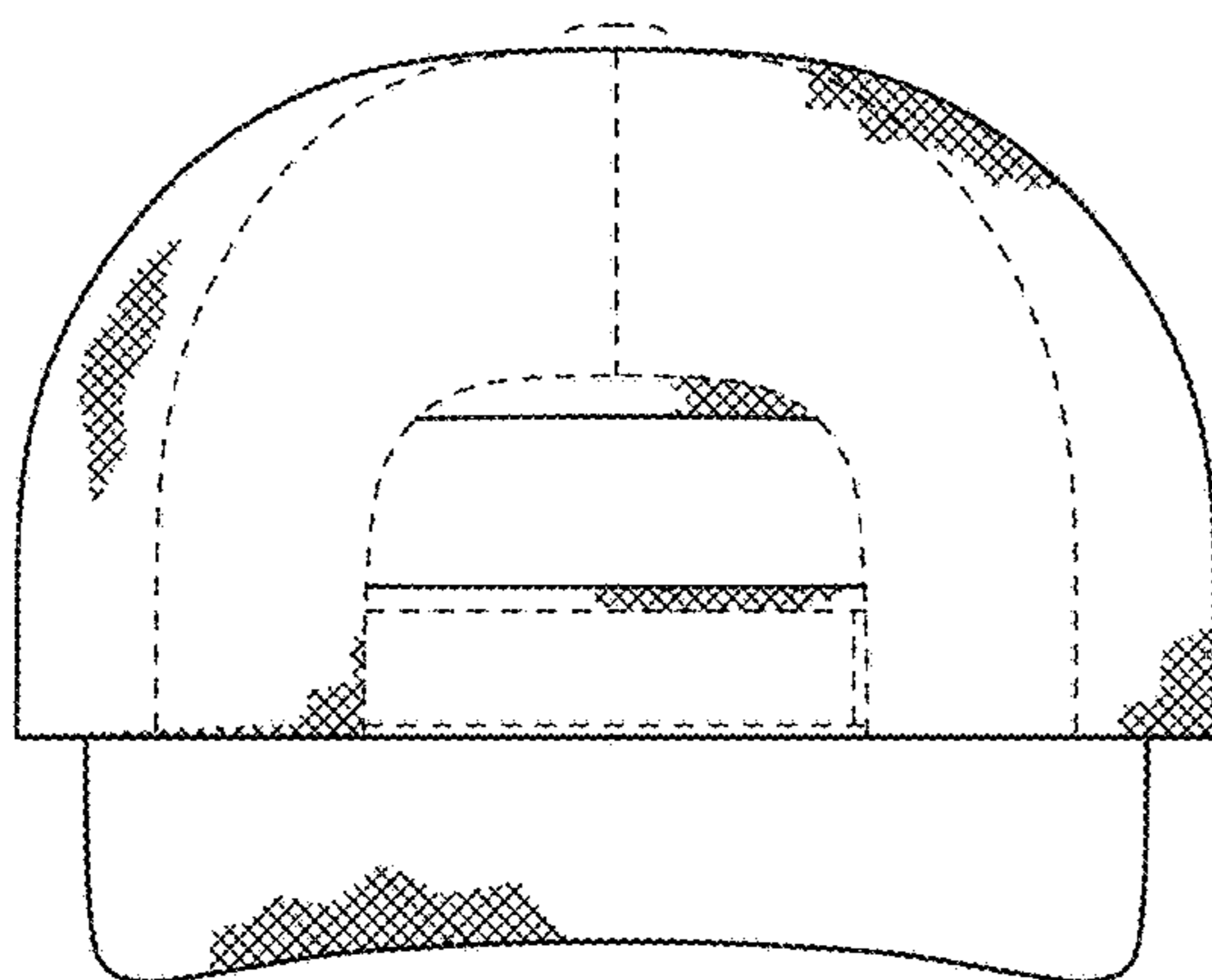


FIG. 3

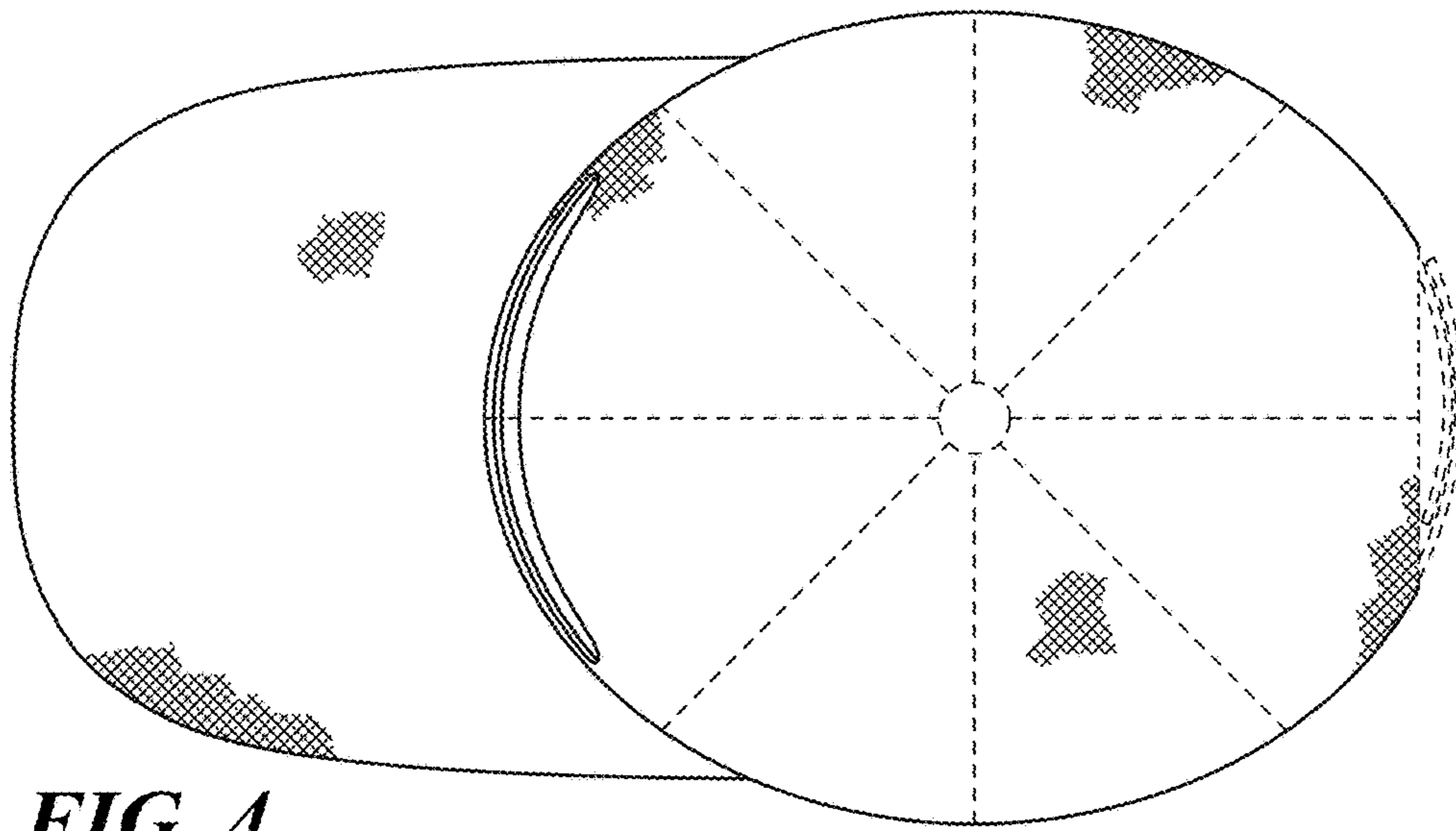


FIG. 4

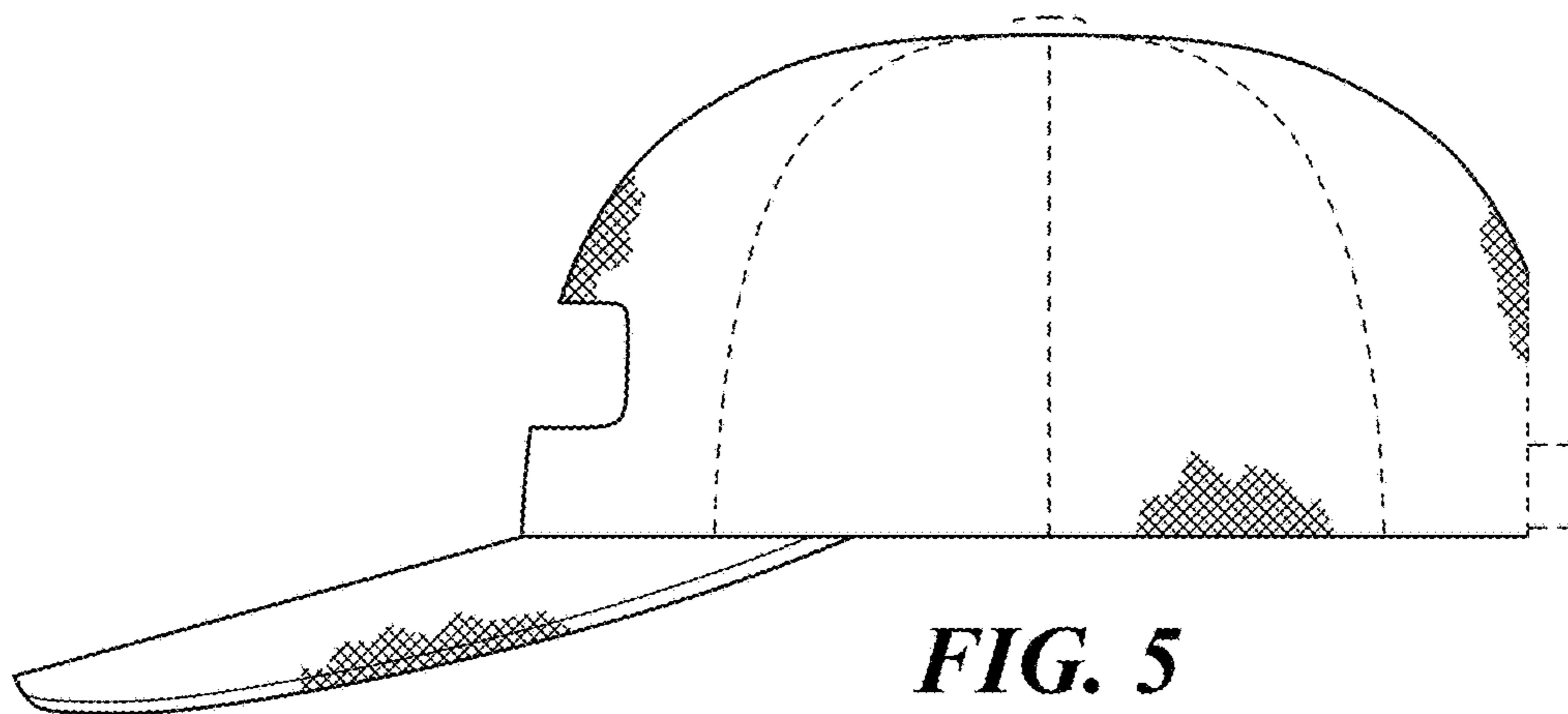


FIG. 5

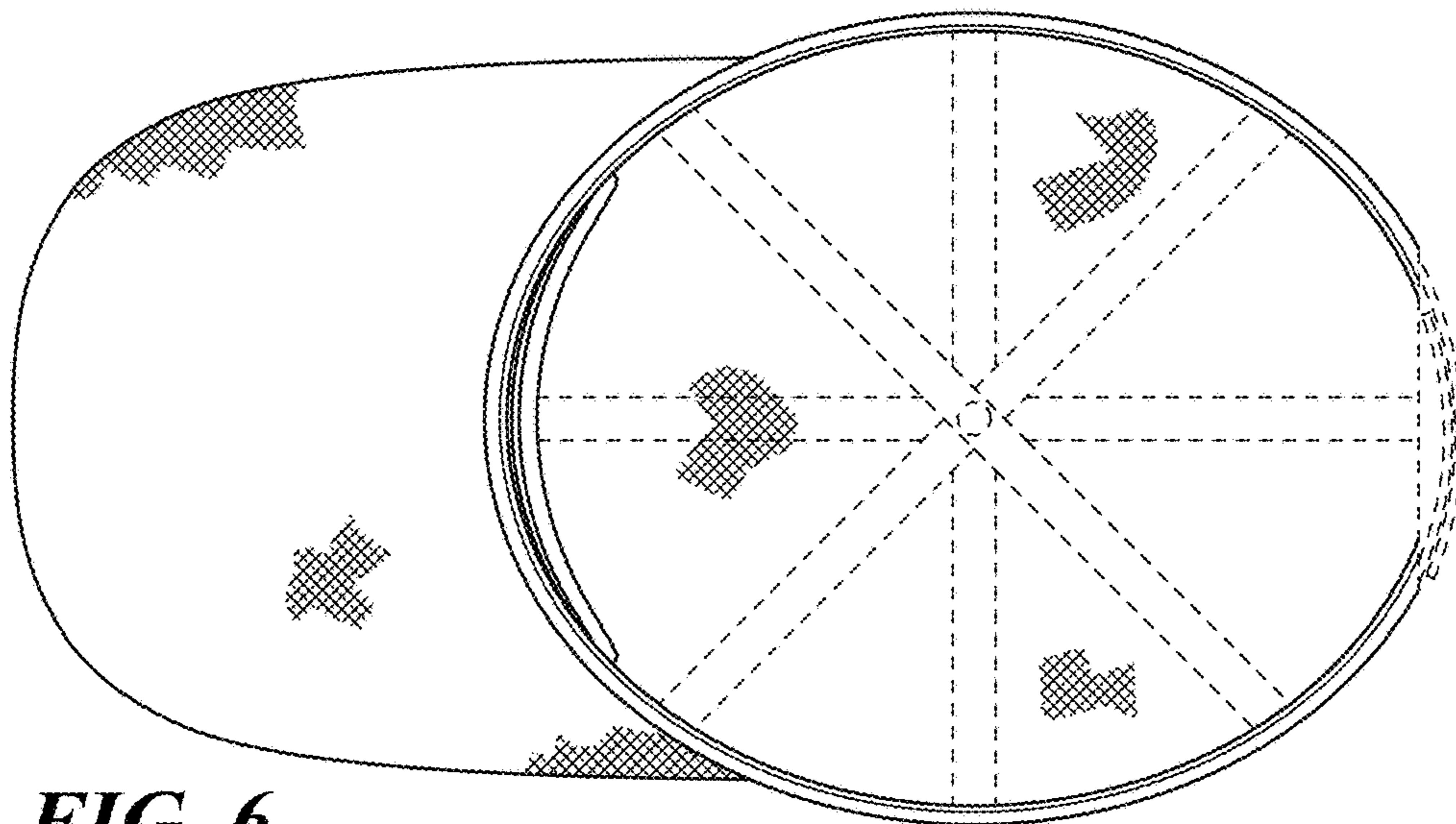


FIG. 6

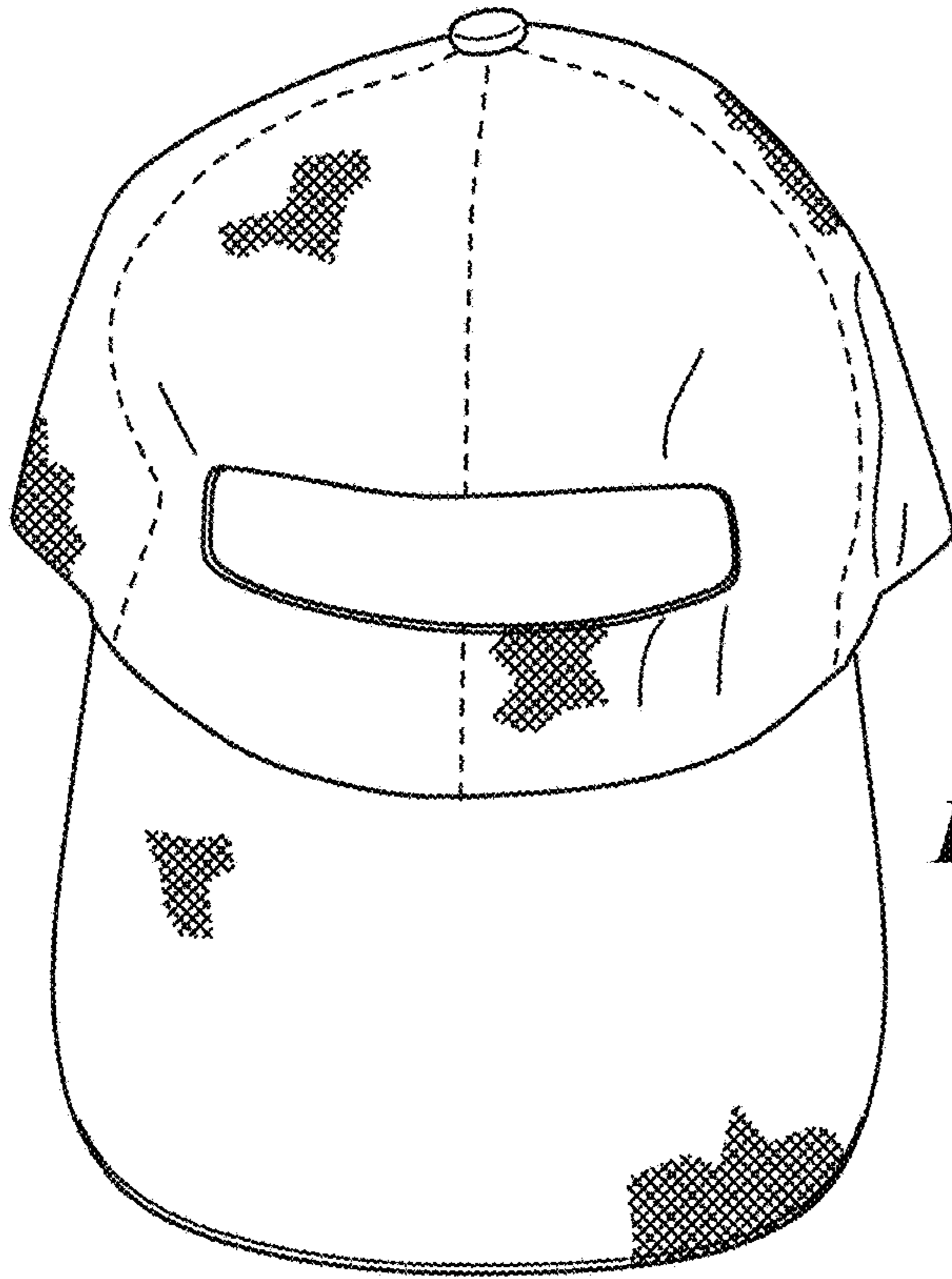


FIG. 7

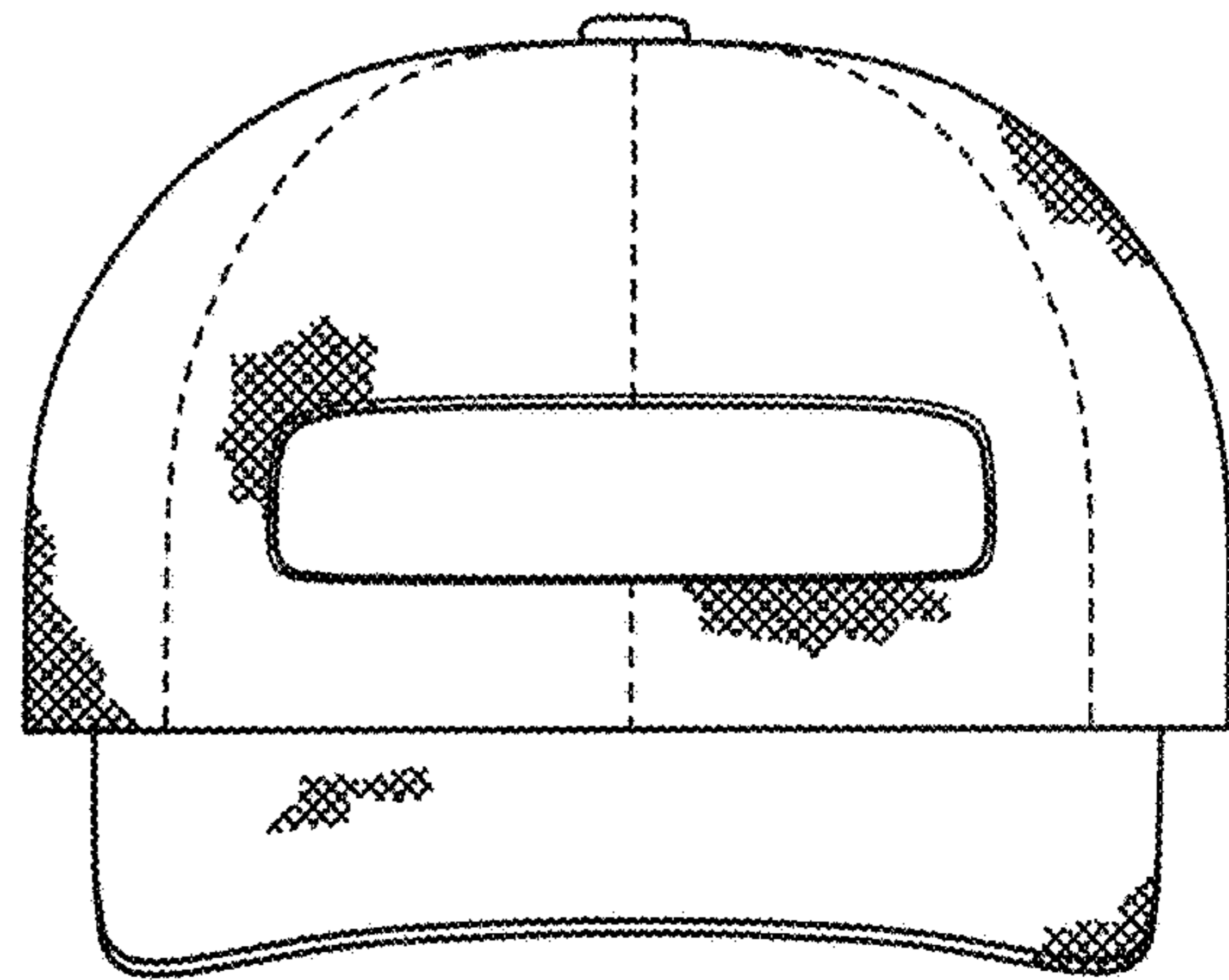


FIG. 8

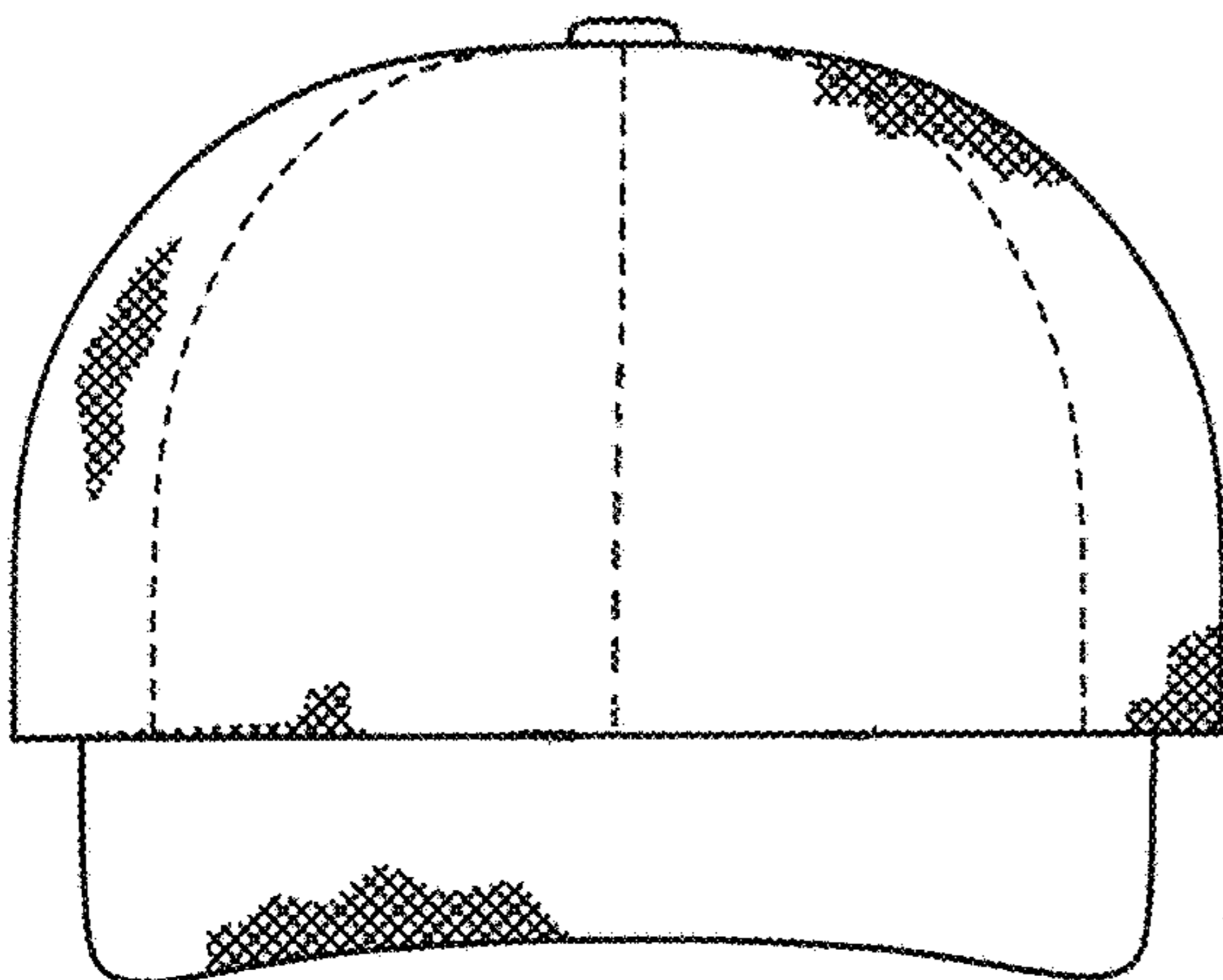


FIG. 9

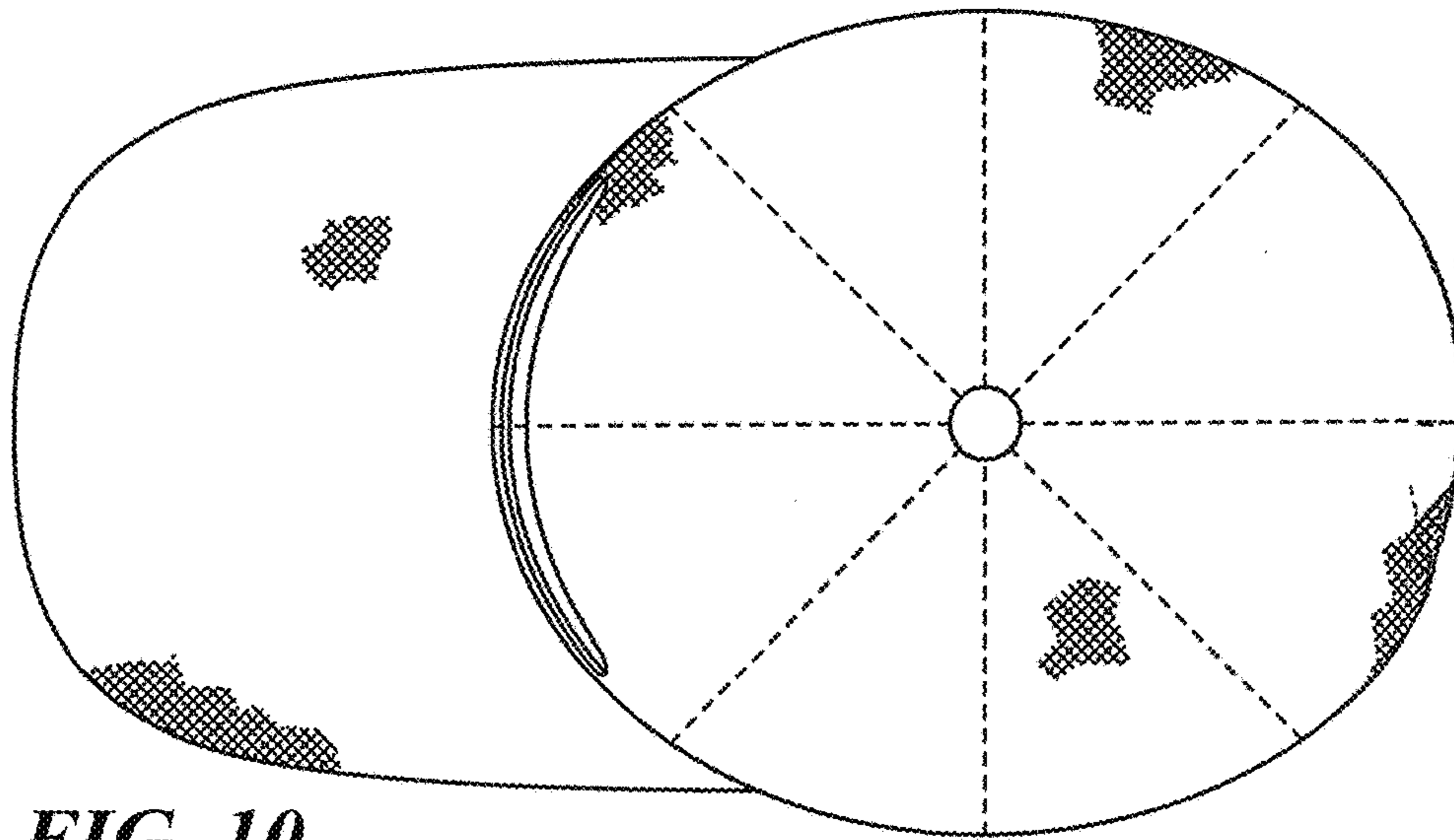


FIG. 10

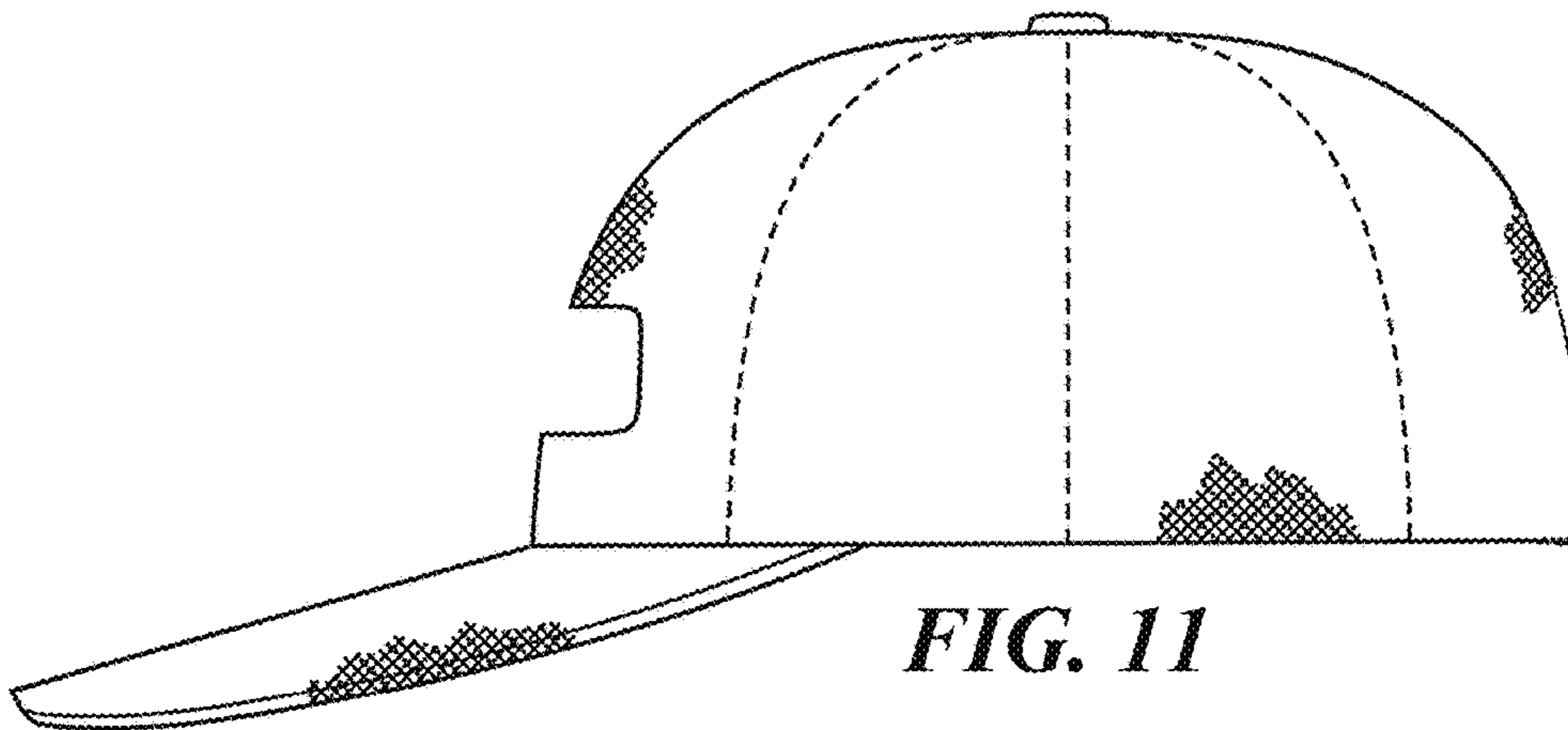


FIG. 11

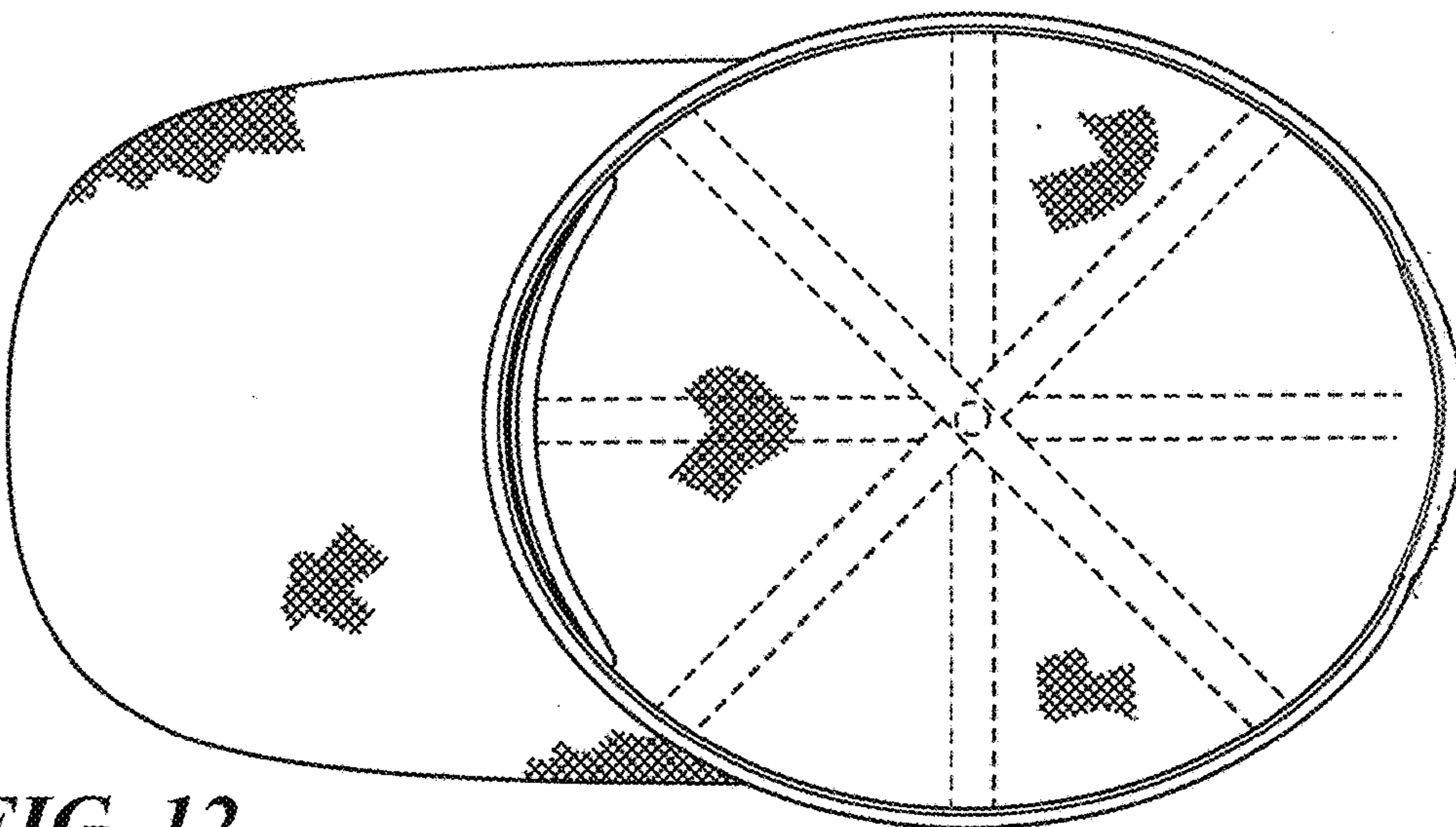


FIG. 12