



US00D796775S

(12) **United States Design Patent** (10) **Patent No.:** **US D796,775 S**  
**Amoako-Poku et al.** (45) **Date of Patent:** **\*\* Sep. 12, 2017**

- (54) **CONFECTION**
- (71) Applicant: **INTERCONTINENTAL GREAT BRANDS LLC**, East Hanover, NJ (US)
- (72) Inventors: **Francis Amoako-Poku**, Whippany, NJ (US); **Susan Pettigrew**, Whippany, NJ (US); **Doris Tancredi**, Whippany, NJ (US); **Zi Yang**, Whippany, NJ (US); **Kishor Kabse**, Whippany, NJ (US); **Atsushi Ueminami**, Kanagawa (JP)
- (73) Assignee: **INTERCONTINENTAL GREAT BRANDS LLC**, East Hanover, NJ (US)
- (\*\*) Term: **15 Years**
- (21) Appl. No.: **29/557,231**
- (22) Filed: **Mar. 7, 2016**

**Related U.S. Application Data**

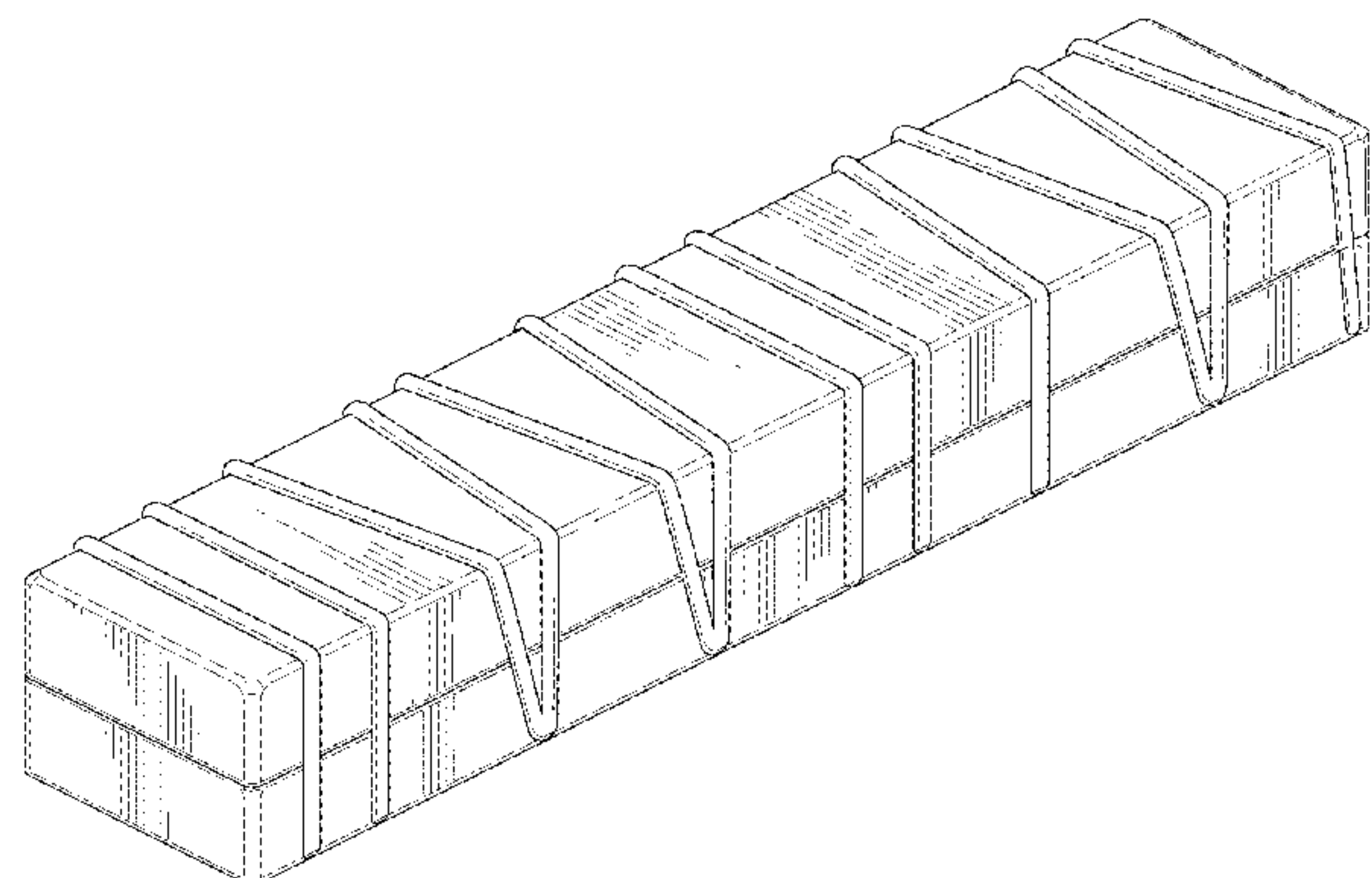
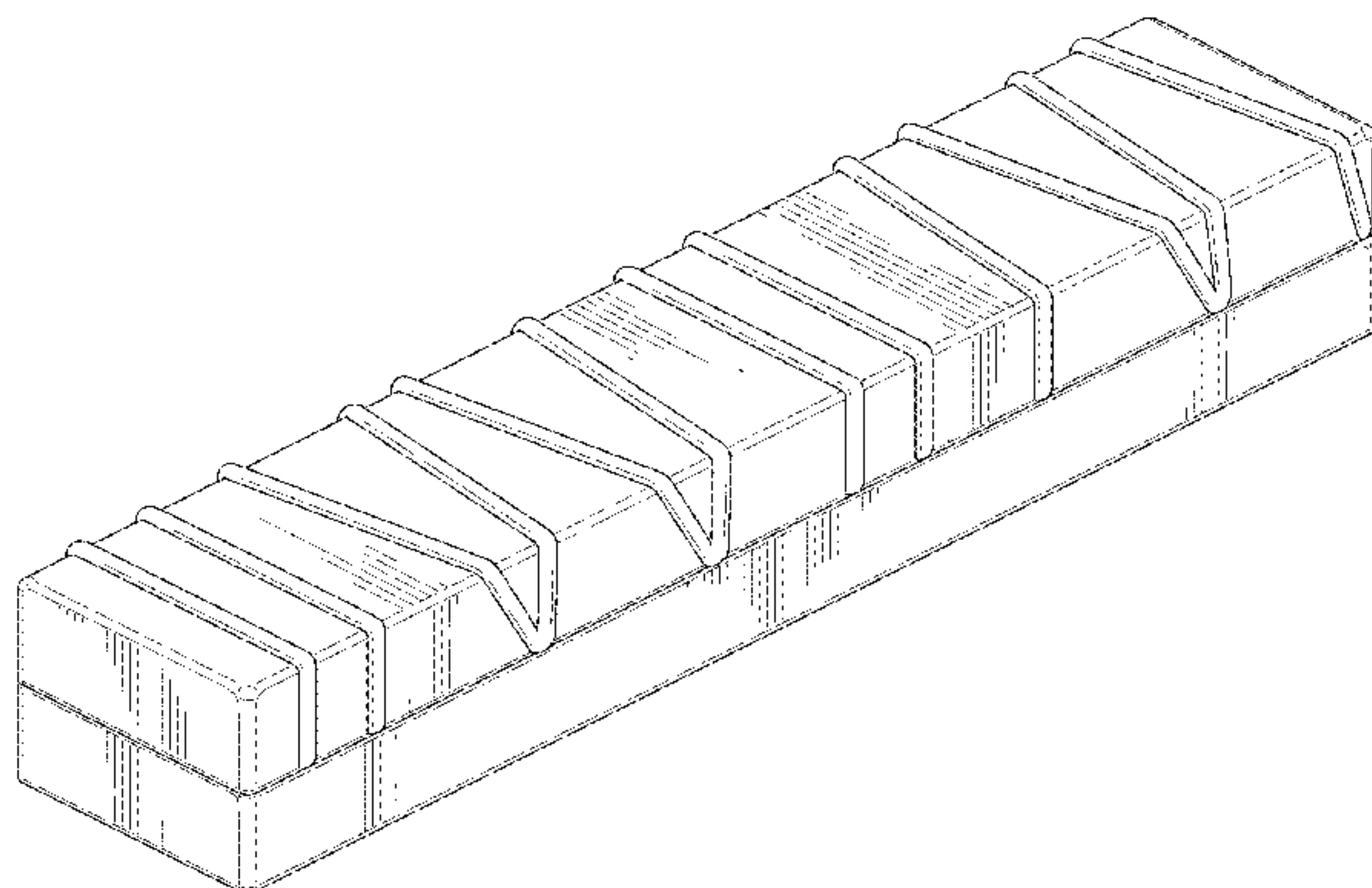
- (63) Continuation-in-part of application No. 29/538,880, filed on Sep. 9, 2015, now abandoned.
- (51) **LOC (10) Cl.** ..... **01-01**
- (52) **U.S. Cl.**  
USPC ..... **D1/127**
- (58) **Field of Classification Search**  
USPC ..... D1/100-130, 199; 426/74, 92-94, 104, 426/134, 138, 143, 275, 277, 279, 426/281-284, 292, 295, 391, 439, 496, 426/514, 566, 572, 660; 249/92; D21/623, 803, 386; 119/710; D7/359; D25/138; D23/366  
CPC .... A23L 1/1641; A23L 1/1643; A23L 1/1817; A23L 1/2175  
See application file for complete search history.

(56) **References Cited**

**U.S. PATENT DOCUMENTS**

1,267,320 A 5/1918 Fries  
1,771,506 A 7/1930 Mustin  
1,771,981 A 7/1930 Mustin

1,771,982 A 7/1930 Mustin  
D90,687 S \* 9/1933 Sherrill ..... D1/121  
D90,688 S \* 9/1933 Sherrill ..... D1/121  
3,492,131 A 1/1970 Schlatter  
3,969,513 A 7/1976 Canonne  
4,352,824 A 10/1982 Puglia et al.  
4,587,128 A \* 5/1986 Cummings ..... A21D 13/0009  
118/24  
4,619,834 A 10/1986 Zanno et al.  
4,741,905 A 5/1988 Huzinec  
4,847,090 A 7/1989 Della Posta et al.  
5,017,385 A 5/1991 Wienecke  
D330,794 S \* 11/1992 Kesdekoglu ..... D1/127  
D334,645 S \* 4/1993 Kennedy ..... D1/127  
D358,927 S \* 6/1995 Davis ..... D1/125  
D360,969 S \* 8/1995 Uecker ..... D1/125  
5,437,879 A 8/1995 Kabse et al.  
5,679,397 A 10/1997 Kuroda et al.  
5,879,728 A 3/1999 Graff et al.  
D428,682 S \* 8/2000 Rapaport ..... D1/129  
6,506,424 B2 1/2003 Nielsen et al.  
D487,181 S \* 3/2004 Ghaffari ..... D1/125  
D508,302 S \* 8/2005 Malina ..... D1/121  
7,078,052 B2 7/2006 Ream et al.  
7,214,396 B2 5/2007 Rivier  
D557,877 S \* 12/2007 Maly ..... D1/125  
D571,978 S \* 7/2008 Yusufov ..... D1/129  
7,452,558 B2 11/2008 Jani et al.  
D588,778 S \* 3/2009 Winward ..... D1/127  
D588,779 S \* 3/2009 Winward ..... D1/127  
D654,656 S \* 2/2012 Mangel ..... D1/127  
8,263,168 B2 9/2012 Bellody, Jr. et al.  
D697,689 S \* 1/2014 Krumholz ..... D1/121  
D702,551 S 4/2014 Wisniewski et al.  
D703,050 S 4/2014 Lopez et al.  
D703,051 S 4/2014 Riley et al.  
D703,057 S 4/2014 Moore et al.  
D703,068 S 4/2014 Kick  
8,703,228 B2 4/2014 Boghani et al.  
D715,019 S \* 10/2014 Rosenberg ..... D1/121  
D719,718 S \* 12/2014 Schweitzer ..... D1/121  
D752,843 S \* 4/2016 Krumholz ..... D1/127  
9,486,002 B2 11/2016 Boghani et al.  
2004/0142074 A1 7/2004 Hentzel et al.  
2005/0074518 A1 4/2005 Soldani  
2005/0220934 A1 10/2005 Leadbeater et al.  
2006/0039872 A1 2/2006 Schmidt  
2006/0057276 A1 3/2006 Carcasona et al.  
2006/0263481 A1 11/2006 Fritz et al.  
2007/0231427 A1 10/2007 Ream  
2008/0160138 A1 7/2008 Boghani et al.  
2008/0166449 A1 7/2008 Kabse et al.  
2008/0187621 A1 8/2008 Boghani et al.





2008/0199564	A1	8/2008	Boghani et al.
2009/0123502	A1	5/2009	Kumiega et al.
2009/0202673	A1	8/2009	Phillips et al.
2009/0311368	A1	12/2009	Wittorff
2010/0136165	A1	6/2010	Miladinov et al.
2010/0136185	A1	6/2010	Miladinov et al.
2011/0159142	A1	6/2011	Marin et al.
2011/0262588	A1	10/2011	Elejalde et al.
2011/0268837	A1	11/2011	Jani
2012/0207875	A1	8/2012	Aldridge et al.
2013/0209644	A1	8/2013	Miladinov et al.
2013/0295271	A1	11/2013	Ueda et al.
2014/0004224	A1	1/2014	Jani et al.
2014/0271985	A1	9/2014	Amoako-Poku et al.
2016/0015053	A1	1/2016	Amoako-Poku et al.

FOREIGN PATENT DOCUMENTS

EP	1765304	A1	1/2006
EP	2124631	B1	8/2012
EP	2206438	B1	8/2012
JP	0947226	A	2/1997
JP	2013042665	A	3/2013
WO	03055325	A1	7/2003
WO	2006037322	A1	4/2006
WO	2006116995	A1	11/2006
WO	2007076025	A2	7/2007
WO	2007076170	A2	7/2007
WO	2008027952	A1	3/2008
WO	2008067207	A1	6/2008
WO	2008116700	A1	10/2008
WO	2009154887	A1	12/2009
WO	2011117638	A2	9/2011
WO	2011153229	A1	12/2011
WO	2012106582	A2	8/2012
WO	2014057637	A1	4/2014
WO	2014152952	A1	9/2014

OTHER PUBLICATIONS

Final Office Action; U.S. Appl. No. 14/210,502, filed Mar. 14, 2014; Chewing Gum Snacks; and Methods of Making Thereof; Notification Date: Dec. 22, 2016; 13 Pages.

First Office Action; Chinese Application No. 201630064416.X; Issue Date: Jun. 22, 2016; 2 Pages.

International Preliminary Report on Patentability; International Application No. PCT/US2014/028376; International Filing Date: Mar. 14, 2014; Date of Mailing: Sep. 24, 2015; 6 Pages.

International Search Report of the International Searching Authority; International Application No. PCT/US2014/028376; International Filing Date: Mar. 14, 2014; Date of Mailing: Jul. 25, 2014; 6 pages.

Kirk-Othmer Encyclopedia of Chemical Technology. 4th Ed.; John Wiley and Sons; 1991; vol. 1: p. 492-494.

Non-Final Office Action; U.S. Appl. No. 14/210,502, filed Mar. 14, 2014; Chewing Gum Snacks; and Methods of Making Thereof; Notification Date: Aug. 25, 2016; 31 Pages.

Notice of Allowance; Japanese Application No. 2016-005208; Date of Mailing: Sep. 29, 2016; 2 Pages.

Notice of Allowance; Japanese Application No. 2016-005209; Date of Mailing: Jan. 10, 2017; 2 Pages.

Notice of Allowance; Japanese Application No. 2016-005210; Date of Mailing: Jan. 11, 2017; 2 Pages.

Notice of Reasons for Refusal; Japanese Application No. 2015-552693; Date of Mailing: May 26, 2016; 21 Pages.

Notice of Reasons for Rejection and Instructions; Japanese Application No. 2016-005209; Date of Mailing: Sep. 30, 2016; 8 Pages.

Notice of Reasons for Rejection and Instructions; Japanese Application No. 2016-005210; Date of Mailing: Sep. 30, 2016; 8 Pages.

Notice of Reasons for Rejection; Japanese Application No. 2015-552693; Date of Mailing: Dec. 22, 2016; 15 Pages.

Notification of First Office Action and Search Report; Chinese Application No. 201480009924.6; Date of Mailing: Nov. 21, 2016; 22 Pages.

Notification of Granting Patent Right for Design and Notification of Going Through the Formalities of Registration; Chinese Application No. 201630064416.X; Issue Date: Sep. 19, 2016; 5 Pages.

Office Action and Search Report; Russian Application No. 2015133024; Date of Mailing: Jan. 18, 2017; 9 Pages.

Requirement for Restriction/Election; U.S. Appl. No. 29/538,880, filed Sep. 9, 2015; Confection; Notification Date: Aug. 4, 2016; 7 Pages.

Stone & Sidel, Sensory Evaluation Practices, Preface, 3rd ed., San Diego, CA., Elsevier Academic Press (2004), 2 pages.

Written Opinion of the International Searching Authority; International Application No. PCT/US2014/028376; International Filing Date: Mar. 14, 2014; Date of Mailing: Jul. 25, 2014; 8 pages.

Communication pursuant to Article 94(3) EPC; European Application No. 14720387.1-1375; dated Jan. 2, 2017; 6 Pages.

Communication pursuant to Rules 161(1) and 162 EPC; European Application No. 14720387.1-1357; dated Oct. 29, 2015; 2 Pages.

\* cited by examiner

*Primary Examiner* — Garth Rademaker

*Assistant Examiner* — Katie Stofko

(74) *Attorney, Agent, or Firm* — Cantor Colburn LLP

(57)

**CLAIM**

We claim, the ornamental design for a confection, as shown and described.

**DESCRIPTION**

FIG. 1 is a perspective view of a confection, showing our new design in an exemplary embodiment;

FIG. 2 is a side elevation view of the embodiment shown in FIG. 1;

FIG. 3 is another side elevation view of the embodiment shown in FIG. 1;

FIG. 4 is a front elevation view of the embodiment shown in FIG. 1;

FIG. 5 is a rear elevation view of the embodiment shown in FIG. 1;

FIG. 6 is a top plan view of the embodiment shown in FIG. 1;

FIG. 7 is a bottom plan view of the embodiment shown in FIG. 1;

FIG. 8 is a perspective view of a confection, showing our new design in another exemplary embodiment;

FIG. 9 is a side elevation view of the embodiment shown in FIG. 8;

FIG. 10 is another side elevation view of the embodiment shown in FIG. 8;

FIG. 11 is a front elevation view of the embodiment shown in FIG. 8;

FIG. 12 is a rear elevation view of the embodiment shown in FIG. 8;

FIG. 13 is a top plan view of the embodiment shown in FIG. 8;

FIG. 14 is a bottom plan view of the embodiment shown in FIG. 8;

FIG. 15 is a perspective view of a confection, showing our new design in another exemplary embodiment;

FIG. 16 is a side elevation view of the embodiment shown in FIG. 15;

FIG. 17 is another side elevation view of the embodiment shown in FIG. 15;

FIG. 18 is a front elevation view of the embodiment shown in FIG. 15;

FIG. **19** is a rear elevation view of the embodiment shown in FIG. **15**;

FIG. **20** is a top plan view of the embodiment shown in FIG. **15**; and,

FIG. **21** is a bottom plan view of the embodiment shown in FIG. **15**.

The broken lines in FIGS. **15-19** and **21** illustrate portions of the confection that form no part of the claimed design.

The dash-dot lines are boundary lines delimiting claimed from unclaimed subject matter.

**1 Claim, 12 Drawing Sheets**

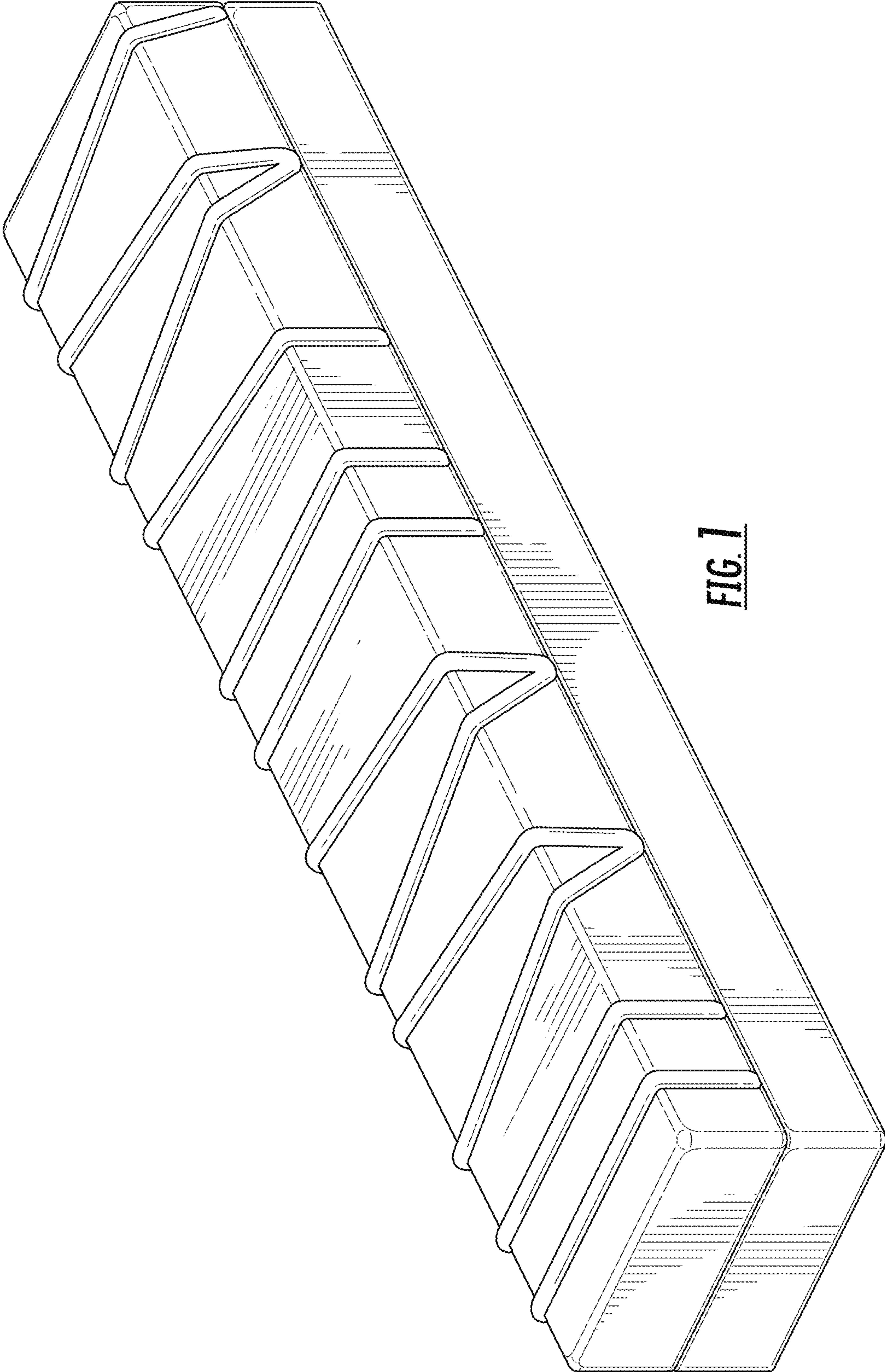


FIG. 1



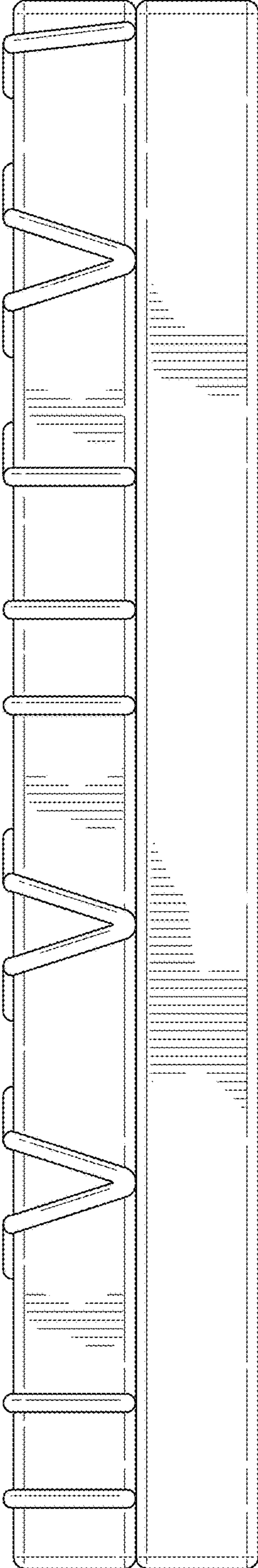


FIG. 2

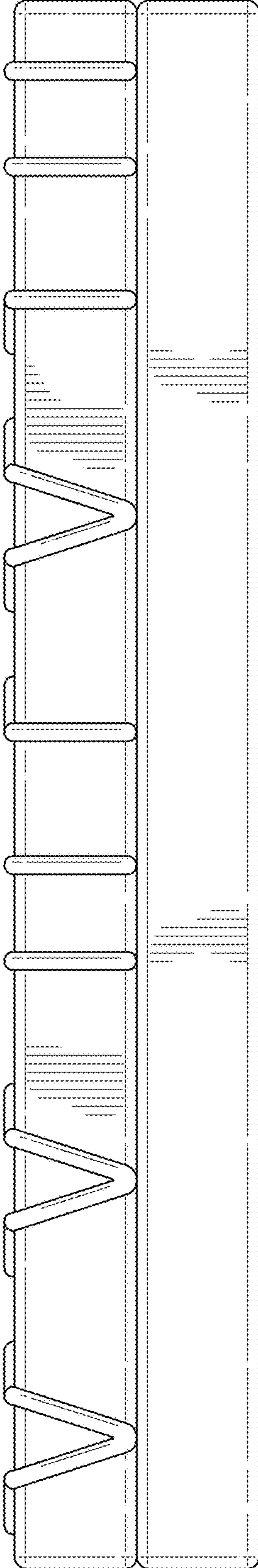


FIG. 3

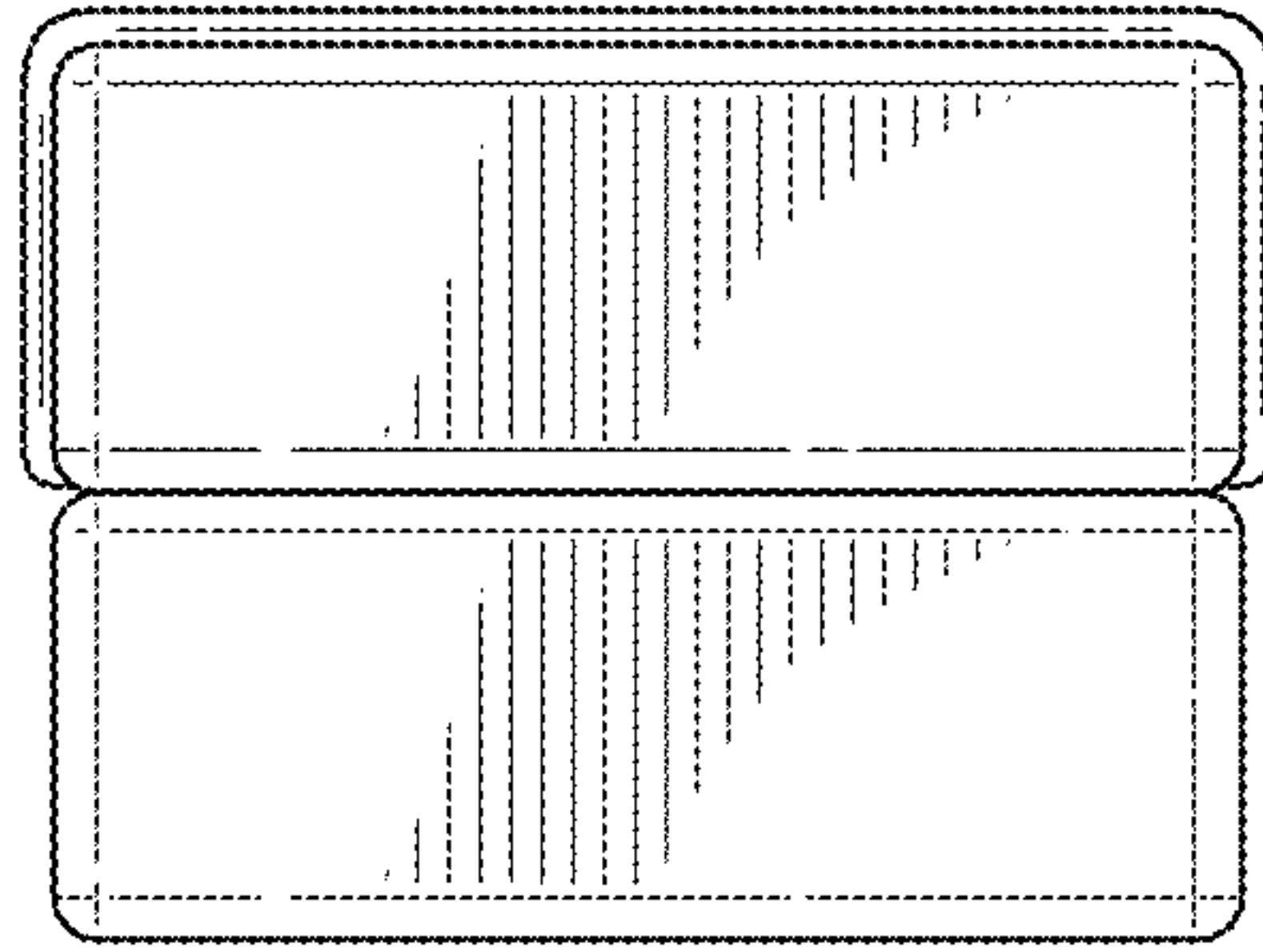


FIG. 4

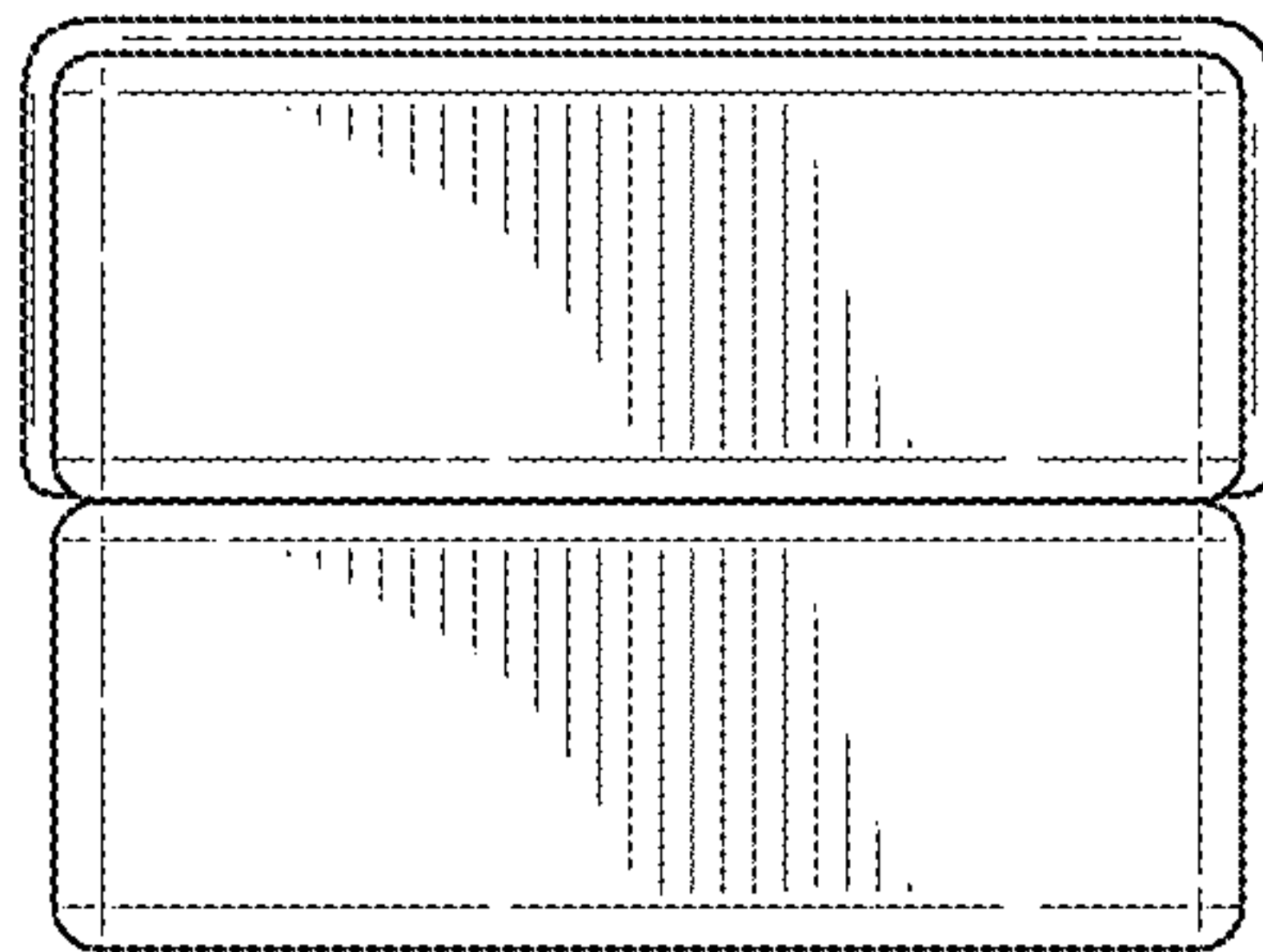


FIG. 5

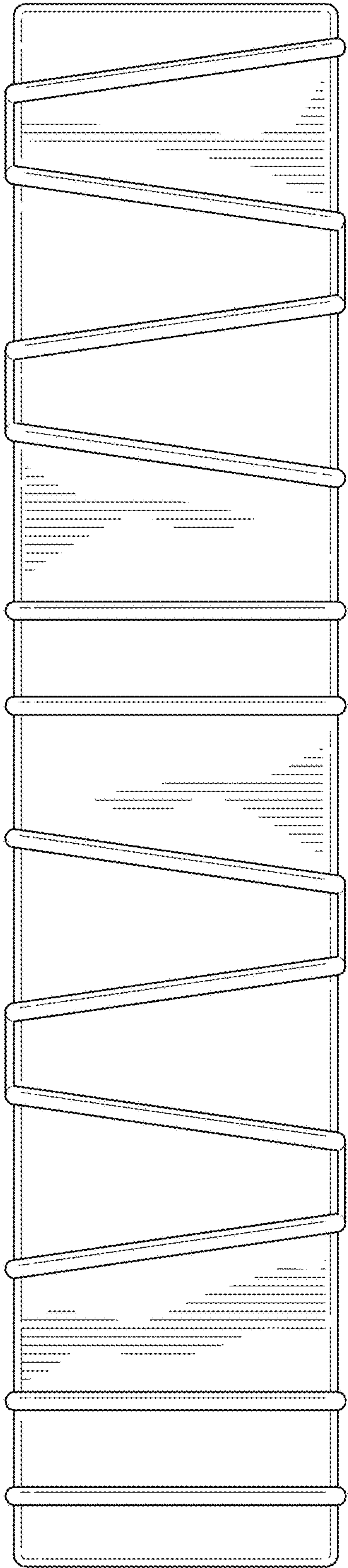


FIG. 6

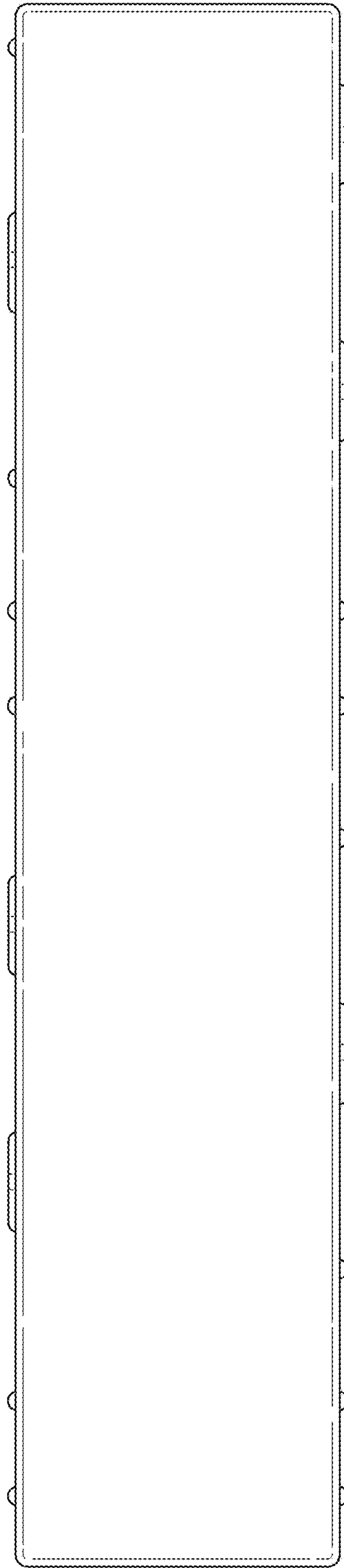
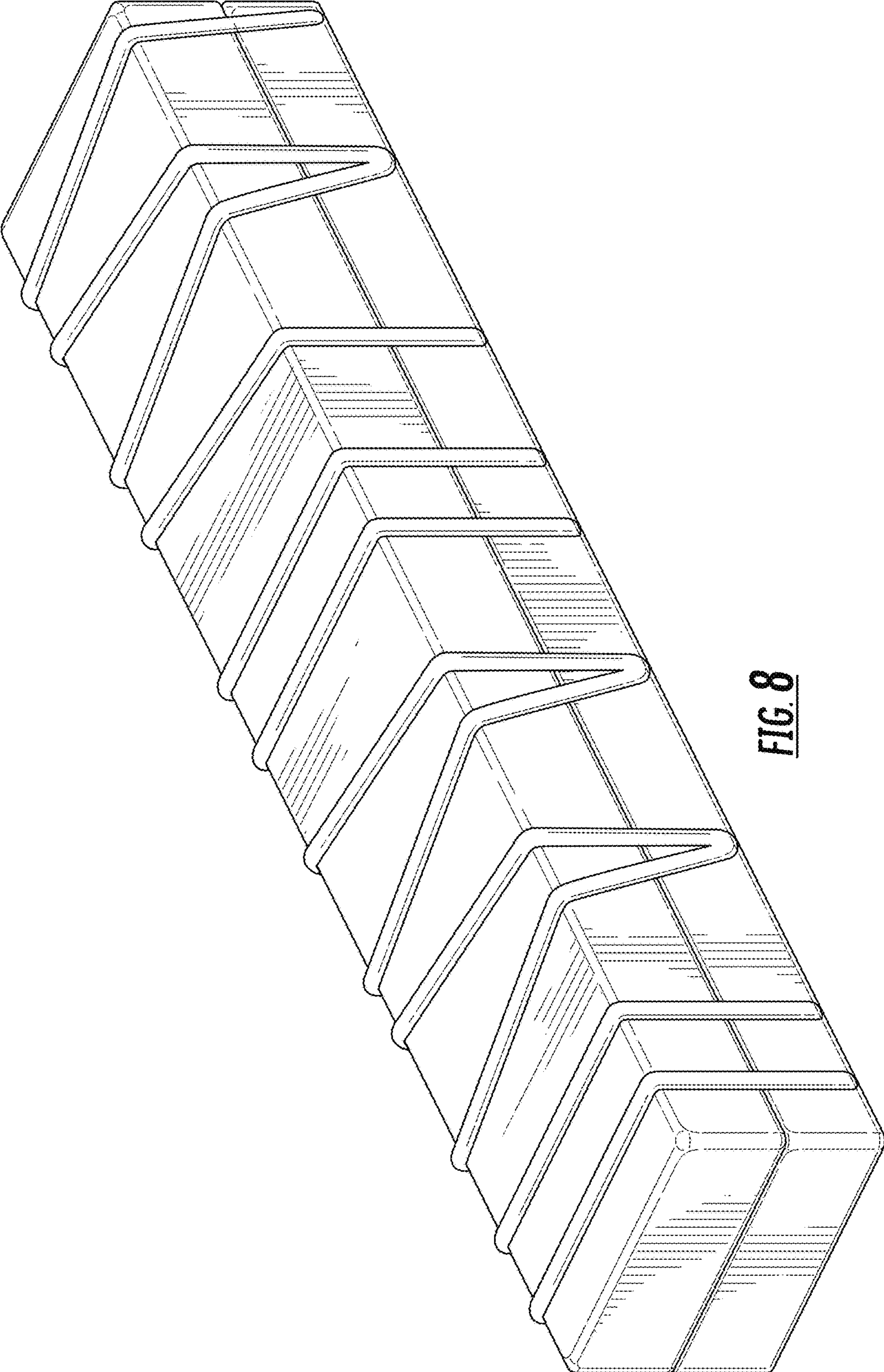
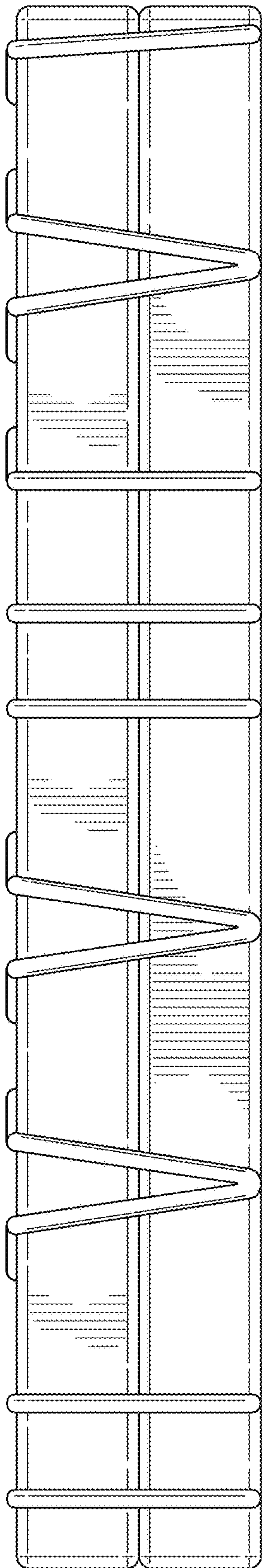


FIG. 7

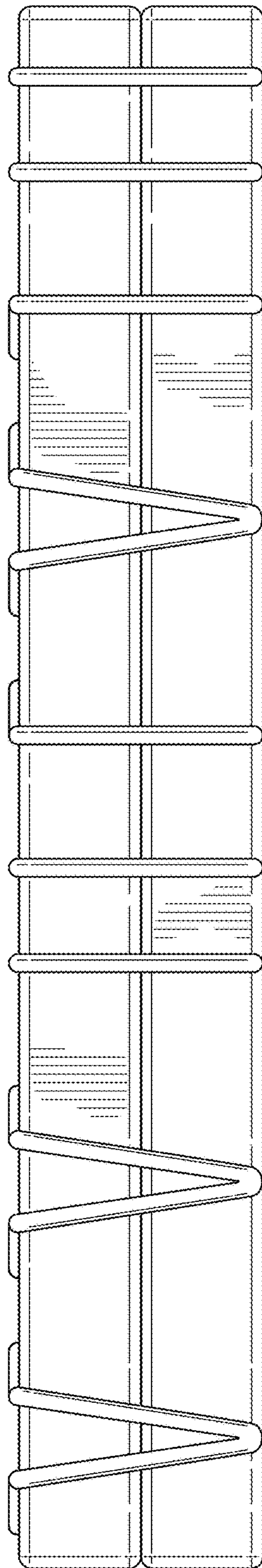


**FIG. 8**





**FIG. 9**



**FIG. 10**

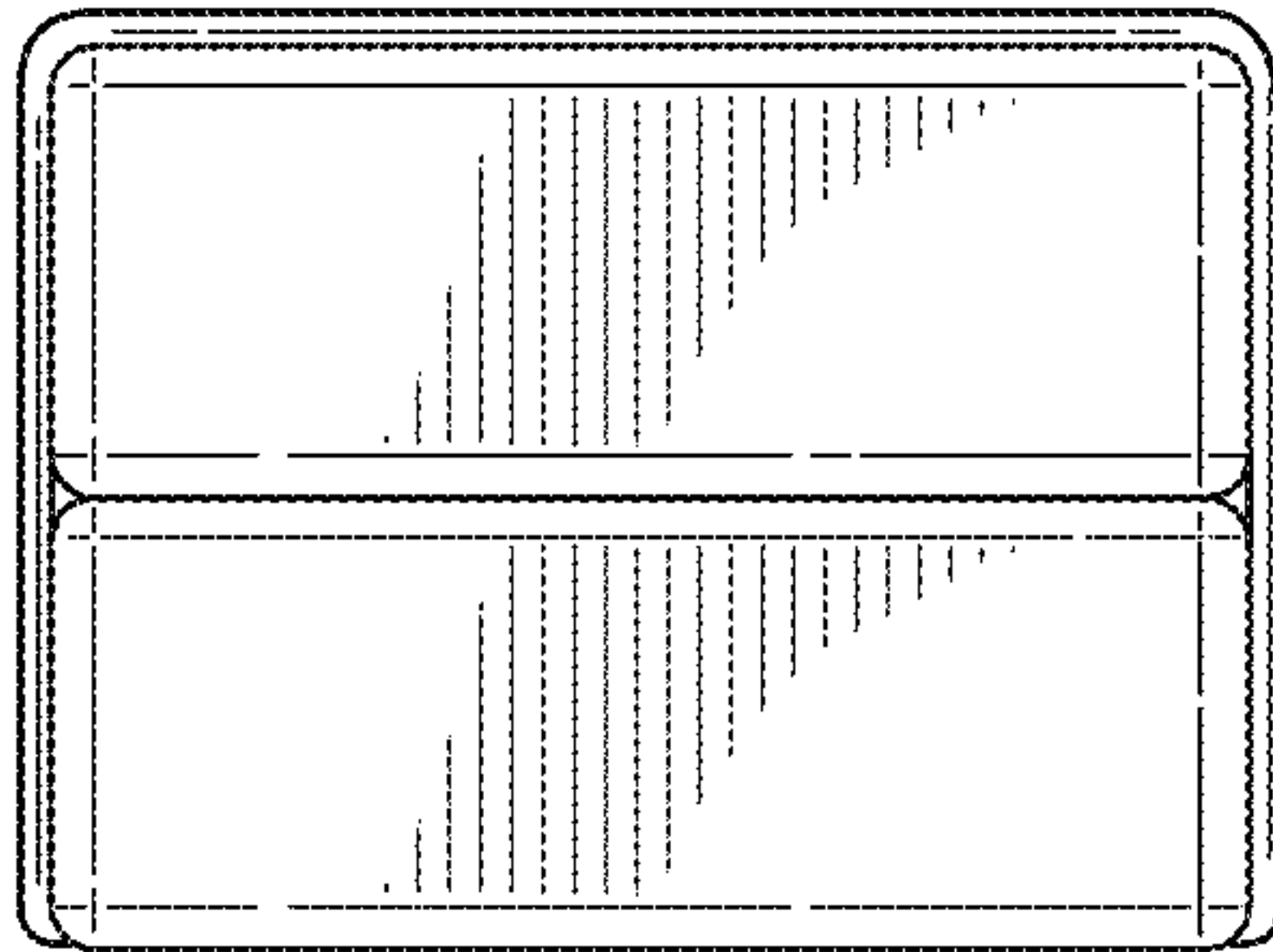


FIG. 11

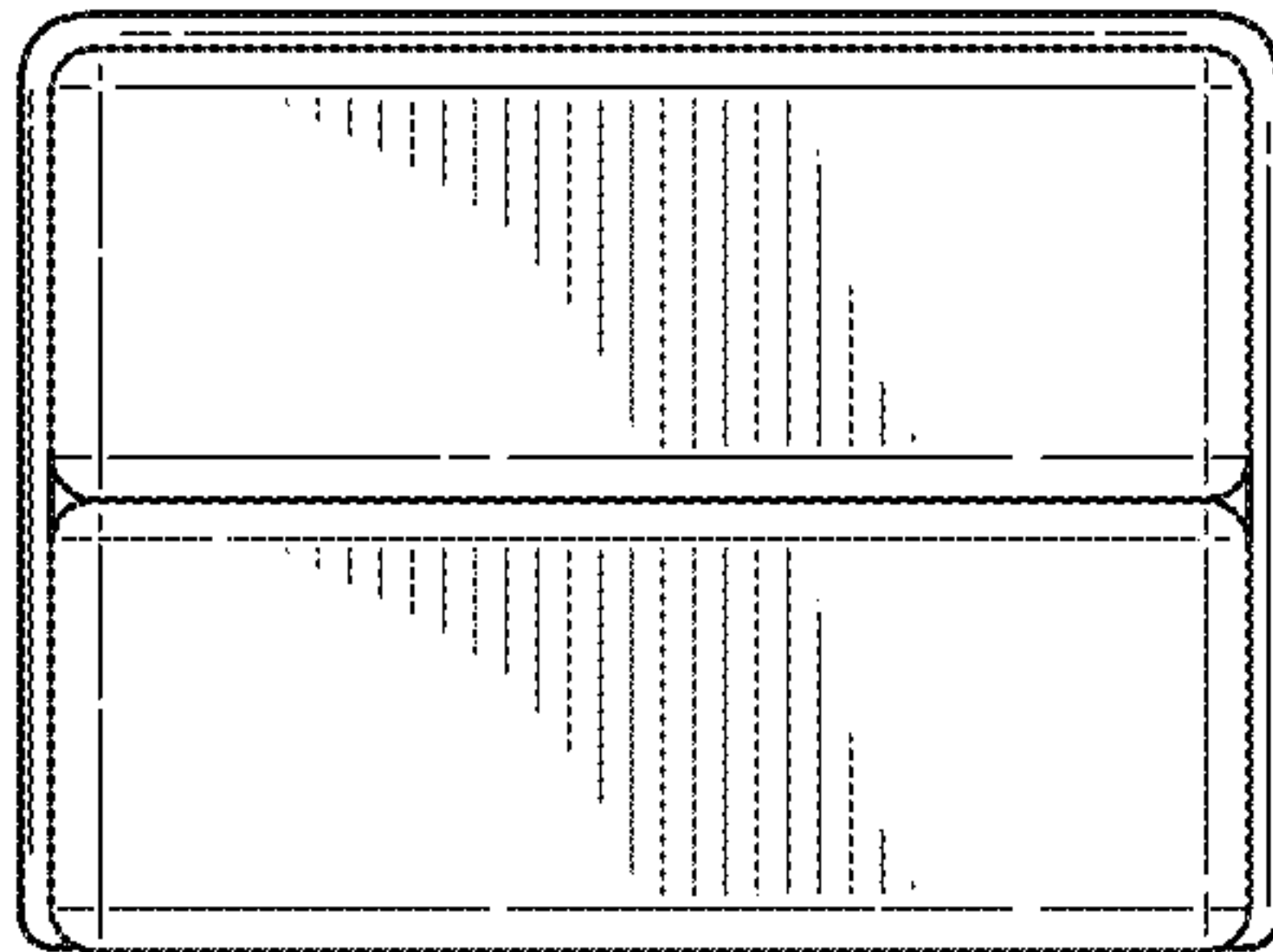


FIG. 12

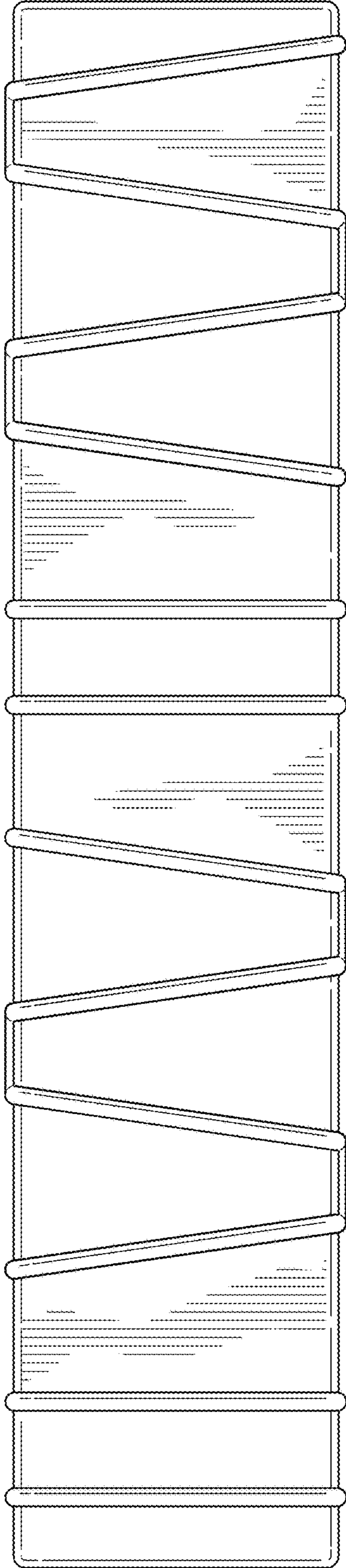


FIG. 13

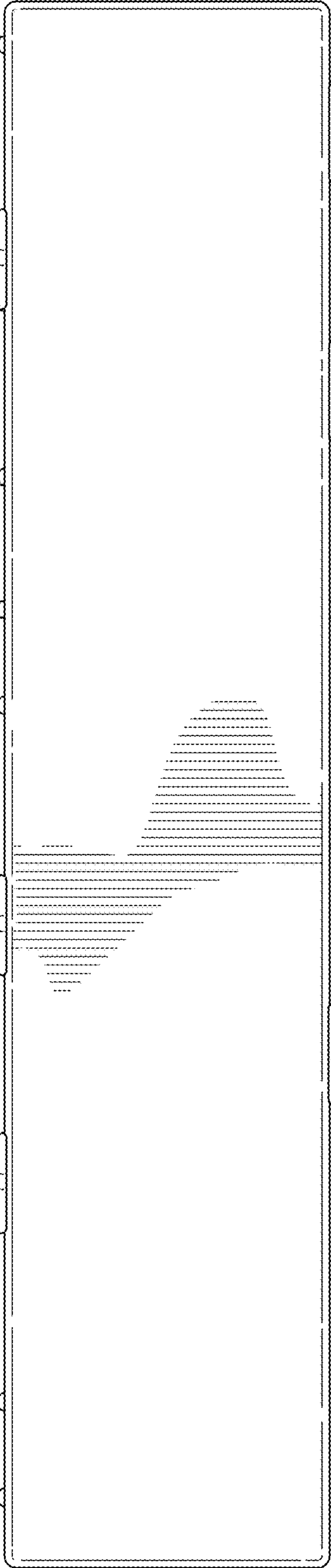
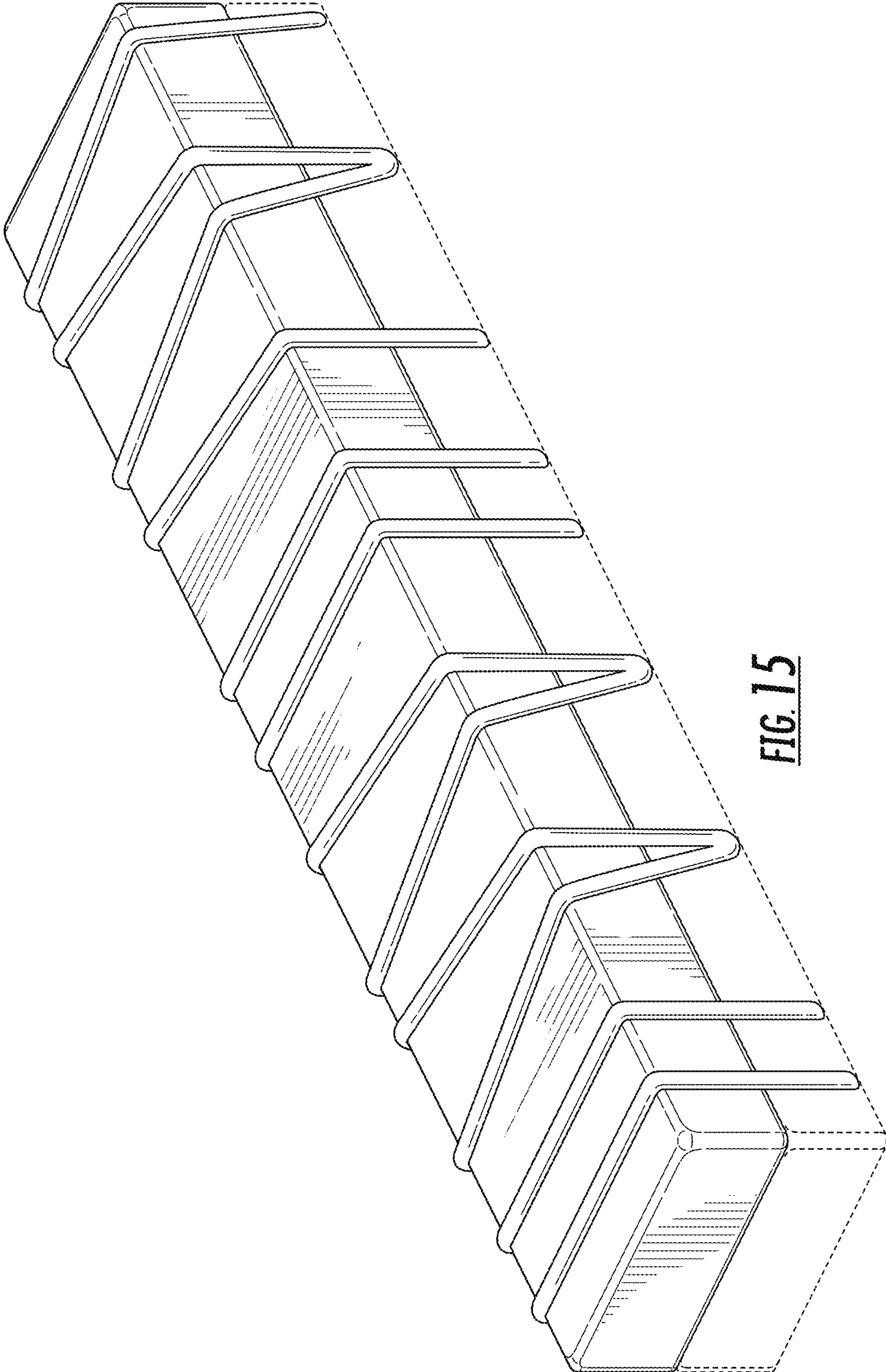
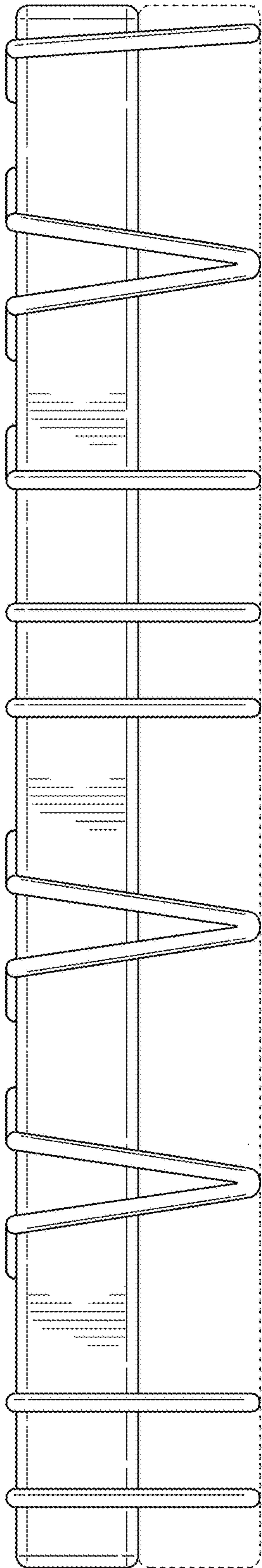


FIG. 14

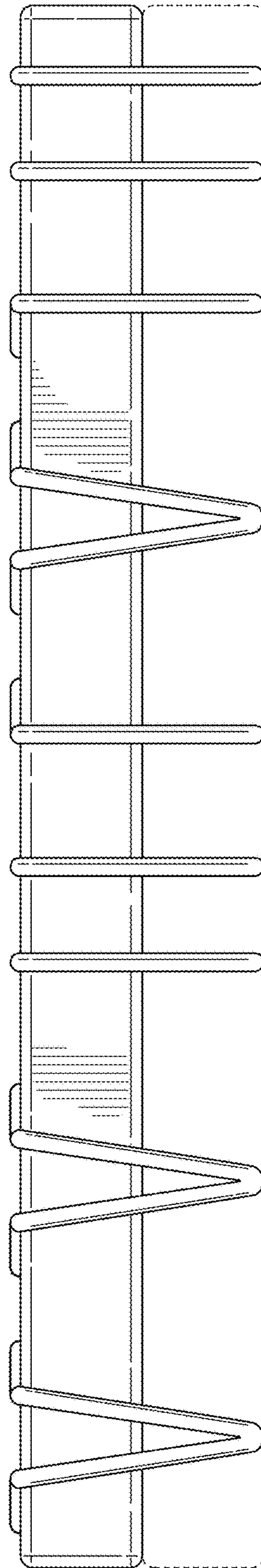




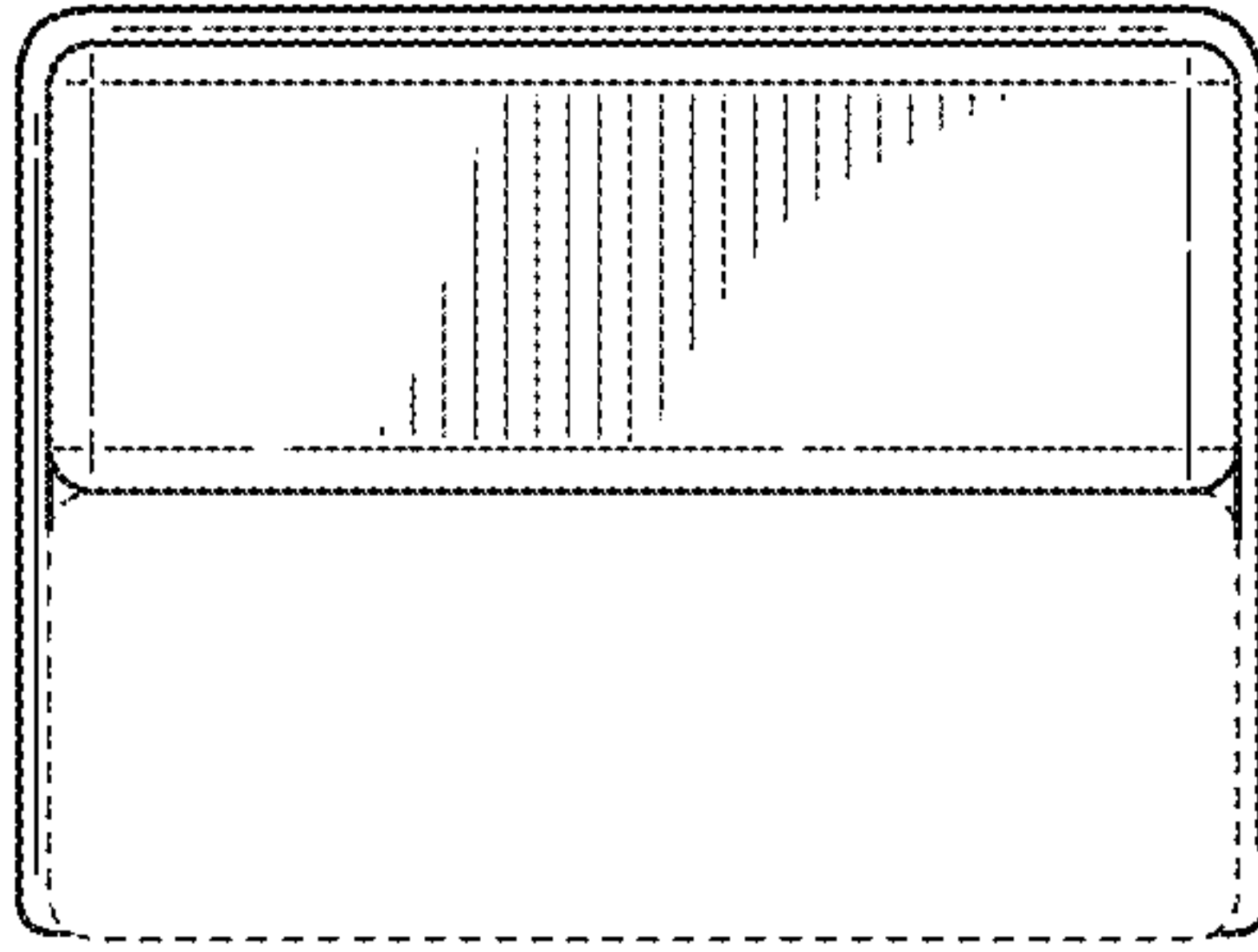
**FIG. 15**



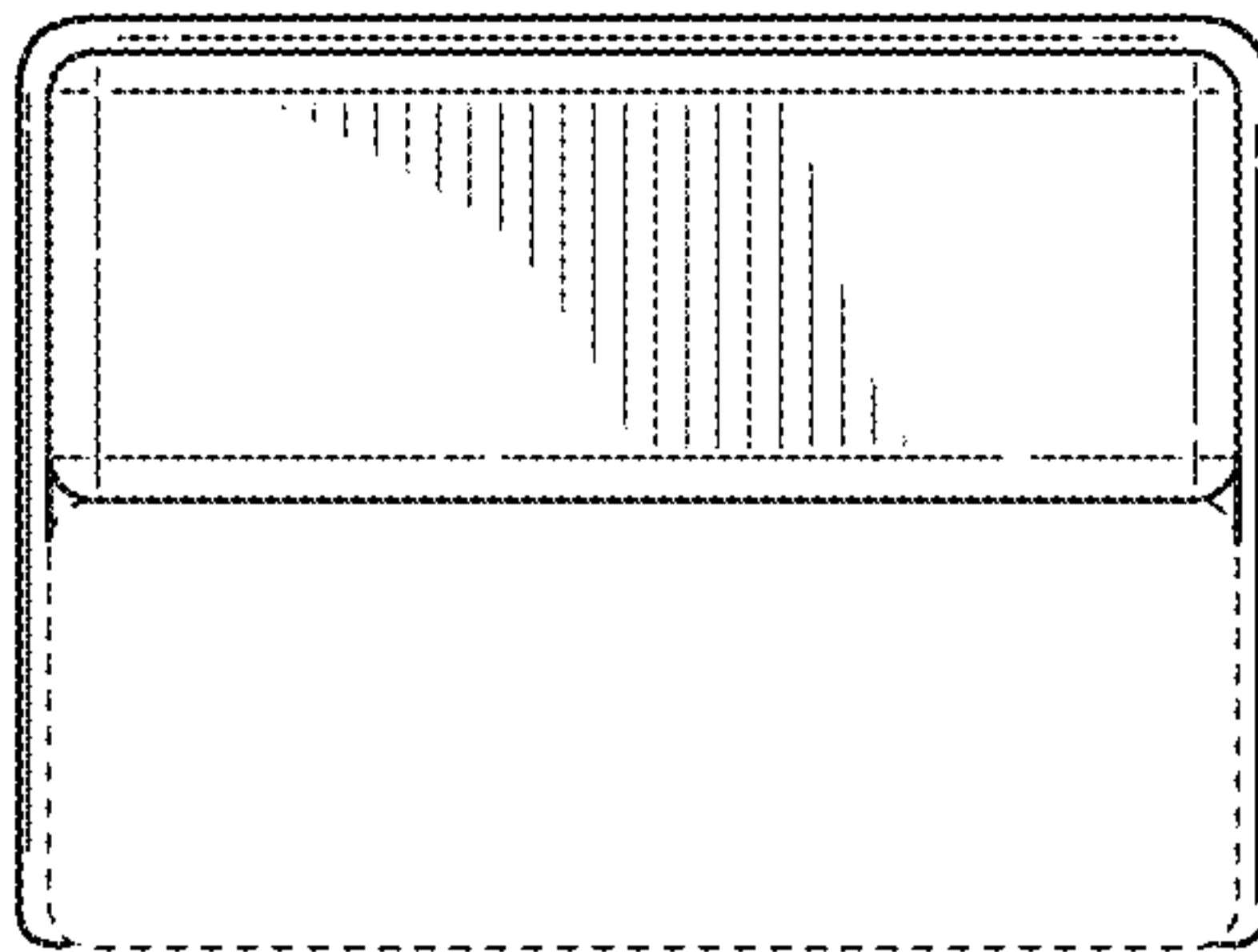
**FIG. 16**



**FIG. 17**



**FIG. 18**



**FIG. 19**



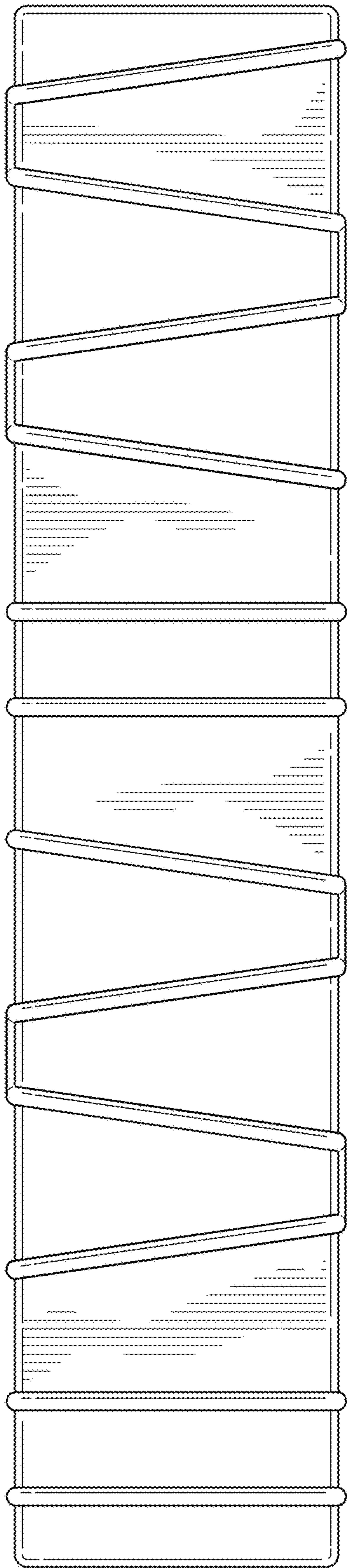


FIG. 20

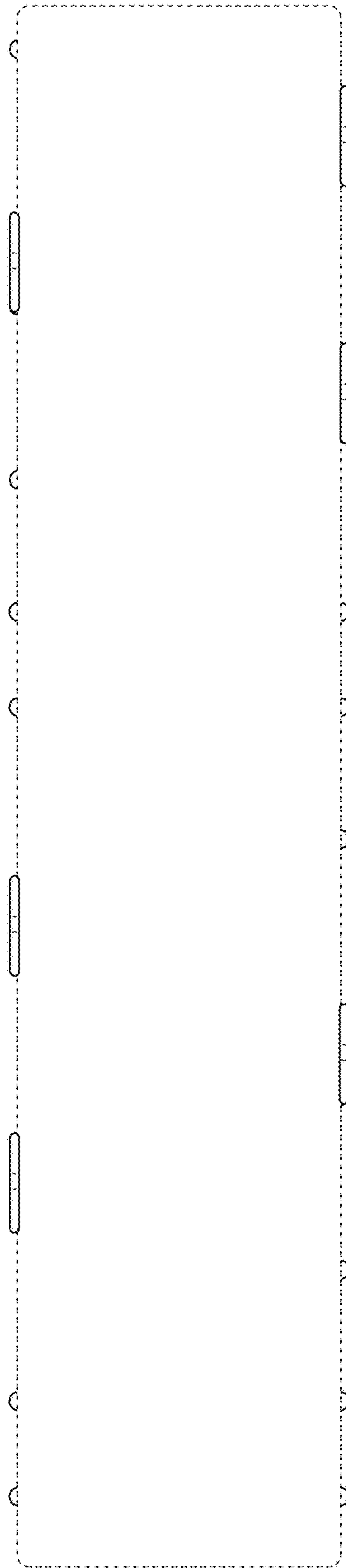


FIG. 21