



US00D796774S

(12) **United States Design Patent** (10) **Patent No.:** **US D796,774 S**  
**Simmons et al.** (45) **Date of Patent:** **\*\* Sep. 5, 2017**

(54) **RAIL PALLET**  
(71) Applicant: **ConXtech, Inc.**, Pleasanton, CA (US)  
(72) Inventors: **Robert J. Simmons**, Hayward, CA (US); **Maxwell C. Simmons**, Hayward, CA (US); **Daniel R. Hester**, Oakland, CA (US)  
(73) Assignee: **ConXtech, Inc.**, Pleasanton, CA (US)

3,148,477 A 9/1964 Bjorn et al.  
3,270,997 A 9/1966 Gethmann  
3,396,499 A 8/1968 Biffani  
(Continued)

FOREIGN PATENT DOCUMENTS

DE 2758992 A1 7/1979  
DE 102009050139 A1 4/2011  
(Continued)

(\*\*) Term: **14 Years**

(21) Appl. No.: **29/522,403**

(22) Filed: **Mar. 30, 2015**

(51) **LOC (10) Cl.** ..... **09-08**

(52) **U.S. Cl.**  
USPC ..... **D34/38**

(58) **Field of Classification Search**  
USPC ..... D34/38; 108/51.11, 51.3, 52.1, 53.1,  
108/53.3, 54.1

CPC ..... B65D 2519/00293; B65D 19/0051; B65D  
19/0038; B65D 19/0012; B65D 19/0026;  
B65D 19/004

See application file for complete search history.

(56) **References Cited**

U.S. PATENT DOCUMENTS

835,059 A 11/1906 Curley  
925,677 A 6/1909 Belcher  
1,110,185 A 9/1914 Brown et al.  
1,367,044 A 2/1921 Hausler  
1,400,066 A 12/1921 Huck  
1,471,094 A 10/1923 Bloss  
1,729,743 A 10/1929 Jorgensen et al.  
2,008,087 A 7/1935 Stromberg  
2,569,653 A 10/1951 Boedecker  
2,673,700 A 3/1954 Eberhardt  
3,071,205 A 1/1963 Beck, Jr.

OTHER PUBLICATIONS

ConXtech, 'ConX Modular Pipe Rack' [online], Jan. 6, 2013, Retrieved from the internet: <<http://www.conxtech.com/conx-system/conx-modular-pipe-rack/>>, p. 1, figure 1, paragraphs 1, 2; p. 2, paragraph 1; 3 pages.

(Continued)

*Primary Examiner* — Cynthia Ramirez  
(74) *Attorney, Agent, or Firm* — Kolisch Hartwell, P.C.

(57) **CLAIM**

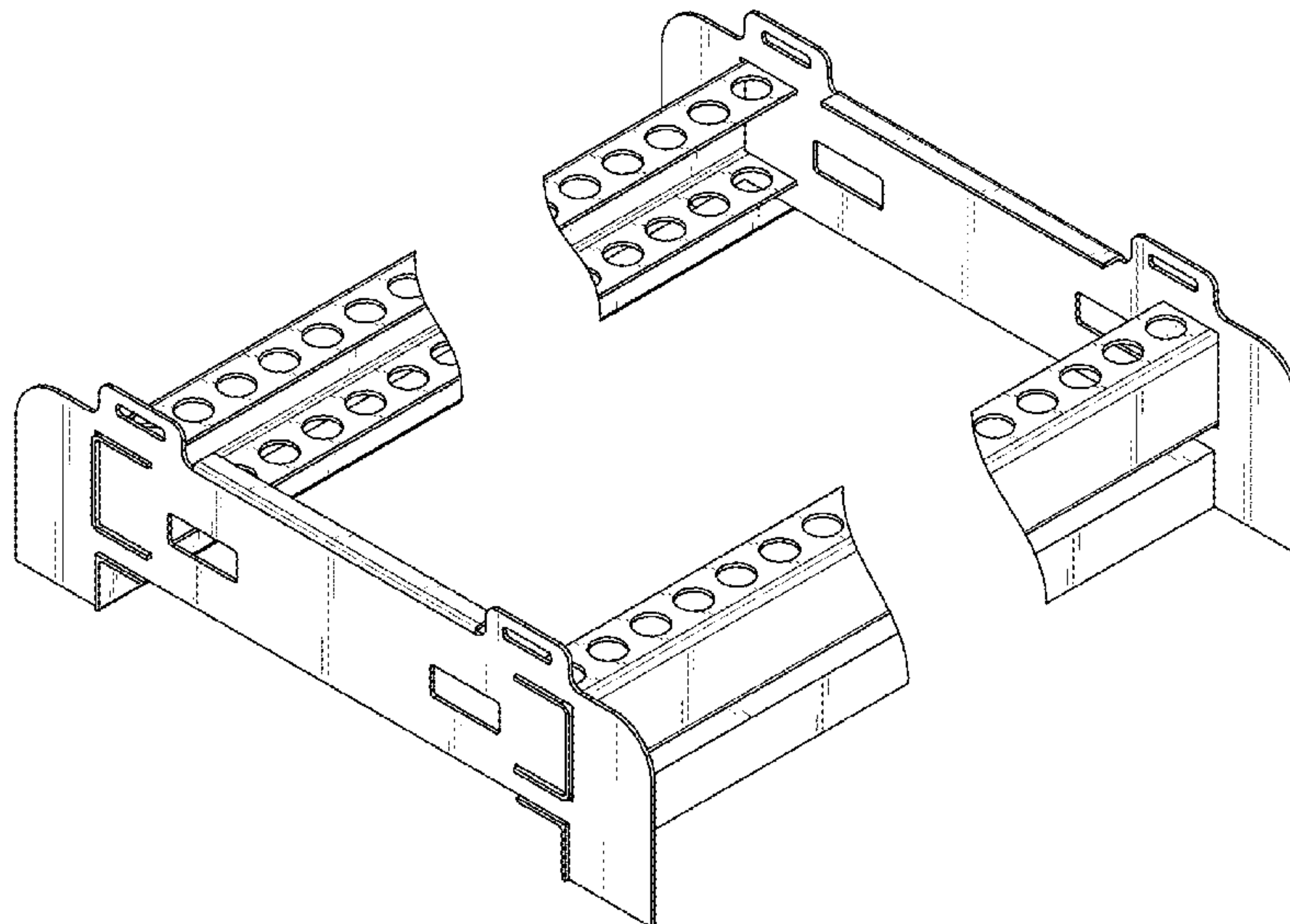
The ornamental design for a rail pallet, as shown.

**DESCRIPTION**

FIG. 1 is a perspective view of a rail pallet showing our new design;  
FIG. 2 is a front view thereof;  
FIG. 3 is a rear view thereof;  
FIG. 4 is a right side view thereof;  
FIG. 5 is a left side view thereof;  
FIG. 6 is a top view thereof; and,  
FIG. 7 is a bottom view thereof.

The shading lines shown in the drawings represent the approximate three-dimensional contour of the design, and are not intended to indicate surface decoration. The rail pallet is shown with a symbolic break in its length. The appearance of any portion of the article between the break lines forms no part of the claimed design.

**1 Claim, 7 Drawing Sheets**



(56)

References Cited

U.S. PATENT DOCUMENTS

3,401,739 A 9/1968 Opletal  
 3,410,044 A 11/1968 Moog  
 3,533,592 A 10/1970 Jennings  
 3,562,988 A 2/1971 Gregoire  
 3,684,011 A 8/1972 Presley et al.  
 3,685,866 A 8/1972 Patenaude  
 3,706,169 A 12/1972 Rensch  
 3,784,151 A 1/1974 Steele  
 3,829,999 A 8/1974 Bernstein  
 3,977,801 A 8/1976 Murphy  
 4,019,298 A 4/1977 Johnson, IV  
 4,059,931 A 11/1977 Mongan  
 4,306,397 A 12/1981 Ramseyer  
 4,360,230 A 11/1982 Wood et al.  
 4,438,607 A 3/1984 Nelson  
 4,522,001 A 6/1985 Meyer  
 4,577,449 A 3/1986 Celli  
 4,684,285 A 8/1987 Cable  
 4,701,131 A 10/1987 Hildebrandt et al.  
 4,736,554 A 4/1988 Tyler  
 4,742,665 A 5/1988 Baierl  
 4,754,712 A 7/1988 Olson et al.  
 D300,075 S \* 2/1989 Sahm, Jr. .... D34/38  
 4,821,844 A 4/1989 Huffman et al.  
 4,830,144 A 5/1989 Werner  
 4,852,501 A 8/1989 Olson et al.  
 4,905,436 A 3/1990 Matsuo et al.  
 5,061,111 A 10/1991 Hosokawa  
 5,240,089 A 8/1993 Spera  
 5,244,300 A 9/1993 Perreira et al.  
 5,289,665 A 3/1994 Higgins  
 5,342,138 A 8/1994 Saito et al.  
 5,590,974 A 1/1997 Yang  
 5,605,410 A 2/1997 Pantev  
 5,615,529 A 4/1997 Johnson et al.  
 5,617,931 A 4/1997 Zygmunt et al.  
 5,678,375 A 10/1997 Juola  
 6,082,070 A 7/2000 Jen  
 6,092,347 A 7/2000 Hou  
 6,106,186 A 8/2000 Taipale et al.  
 6,219,989 B1 4/2001 Tumura  
 D453,871 S \* 2/2002 Perry .... D34/38  
 6,378,265 B1 4/2002 Konstandt  
 6,390,719 B1 5/2002 Chan  
 6,554,102 B2 4/2003 Schwörer  
 6,651,393 B2 11/2003 Don et al.  
 6,698,362 B2 \* 3/2004 Crevillen Pastor B65D 19/0028  
 108/51.3  
 6,802,169 B2 10/2004 Simmons  
 6,837,016 B2 1/2005 Simmons et al.  
 6,913,422 B2 7/2005 Rogers  
 6,926,144 B1 \* 8/2005 Schnaars, Jr. .... B65D 88/1687  
 206/386  
 7,021,020 B2 4/2006 Simmons et al.  
 7,032,712 B2 4/2006 Schwörer  
 7,082,694 B2 8/2006 Lyman, Jr.  
 D551,424 S \* 9/2007 Meisen .... D34/38  
 D552,325 S \* 10/2007 Dickner .... D34/38  
 7,469,485 B1 12/2008 Perdue

7,470,081 B2 12/2008 Miyahara et al.  
 7,607,628 B2 \* 10/2009 Elder ..... B65D 19/0036  
 108/53.3  
 7,661,373 B2 \* 2/2010 Apps ..... B65D 19/0012  
 108/56.3  
 D611,166 S 3/2010 Hammer  
 7,677,522 B2 3/2010 Bakos  
 7,941,985 B2 5/2011 Simmons  
 D646,044 S \* 9/2011 Garton ..... D34/38  
 8,011,150 B2 9/2011 Luttrell et al.  
 8,056,299 B2 11/2011 Liskey  
 D650,546 S \* 12/2011 MacDonald ..... D34/38  
 8,132,774 B1 3/2012 Whatcott  
 8,136,460 B2 3/2012 Tait et al.  
 8,161,698 B2 4/2012 Migliore  
 8,161,707 B2 4/2012 Simmons  
 8,297,002 B2 10/2012 Fernández Fernández  
 8,297,887 B2 10/2012 Ness et al.  
 D673,754 S \* 1/2013 MacDonald ..... D34/38  
 D674,984 S \* 1/2013 Reyhan ..... D34/38  
 8,522,507 B2 9/2013 Asada et al.  
 8,528,298 B2 9/2013 Semaan et al.  
 8,627,615 B2 1/2014 Moyher  
 8,646,232 B2 2/2014 Liskey  
 9,103,132 B2 8/2015 Simmons et al.  
 9,109,874 B2 8/2015 Simmons et al.  
 D751,789 S \* 3/2016 Cote ..... D34/38  
 2002/0043038 A1 4/2002 Cerrato  
 2003/0178253 A1 9/2003 Tatge et al.  
 2004/0237439 A1 12/2004 Powell  
 2005/0066612 A1 3/2005 Simmons  
 2007/0256391 A1 11/2007 Mifsud et al.  
 2008/0245023 A1 10/2008 Simmons  
 2009/0052980 A1 2/2009 Williams  
 2010/0316441 A1 12/2010 Vicentelli  
 2012/0110947 A1 5/2012 Simmons  
 2012/0160137 A1 6/2012 Linares  
 2012/0292131 A1 11/2012 Lovas  
 2013/0319796 A1 12/2013 Davis  
 2014/0183330 A1 7/2014 Simmons et al.  
 2014/0202795 A1 7/2014 Simmons et al.  
 2014/0208666 A1 7/2014 Simmons et al.

FOREIGN PATENT DOCUMENTS

FR 2471461 A1 6/1981  
 FR 2613403 A1 10/1988  
 GB 1204327 A 9/1970  
 GB 2261651 A 5/1993  
 JP 11-22001 A 1/1999  
 JP 20001-110236 A 4/2000  
 WO 9836134 A1 8/1998  
 WO 2011047830 A1 4/2011

OTHER PUBLICATIONS

ConXtech Brochure, 'CONX Modular Pipe Rack' [online], Apr. 16, 2014, Retrieved from the internet: <[http://www.conxtech.com/wpcontent/uploads/files/documents/ConX\\_Modular\\_Pipe\\_Rack\\_Brochure.pdf](http://www.conxtech.com/wpcontent/uploads/files/documents/ConX_Modular_Pipe_Rack_Brochure.pdf)>; entire document, 25 pages.

\* cited by examiner



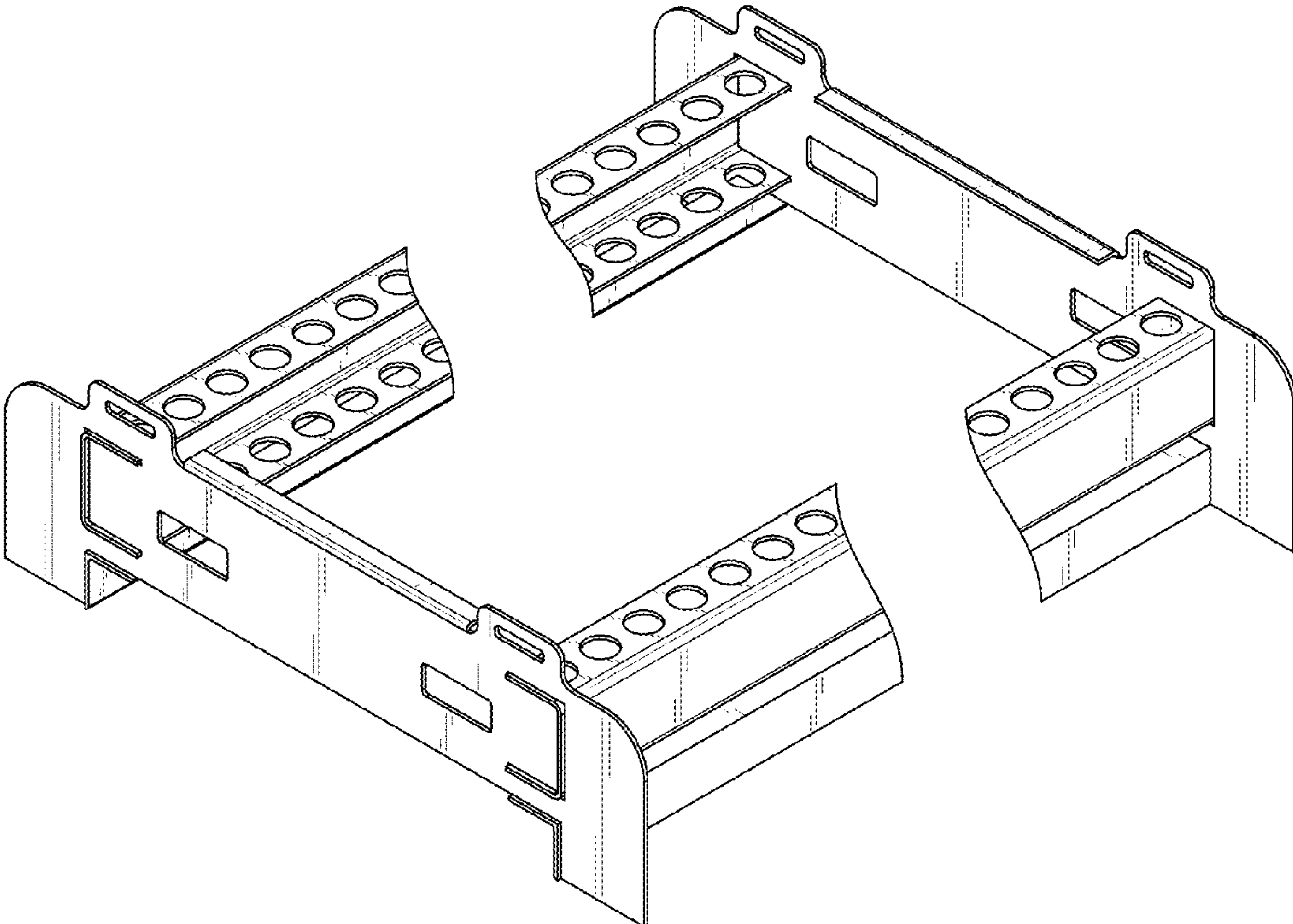


FIG. 1

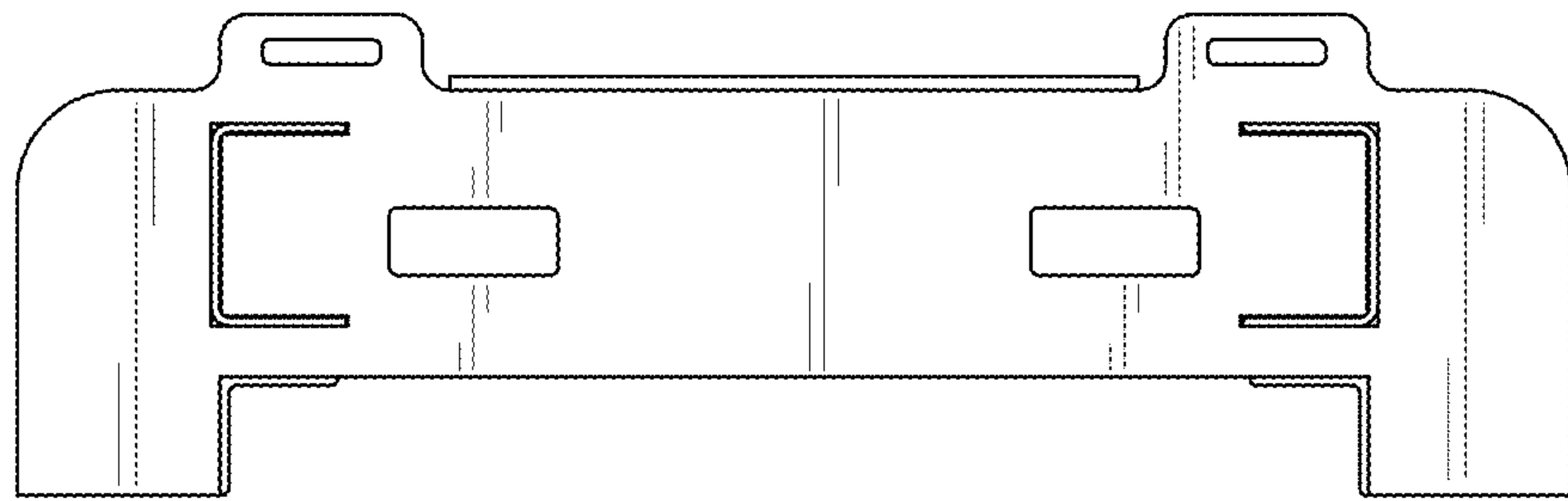


FIG. 2

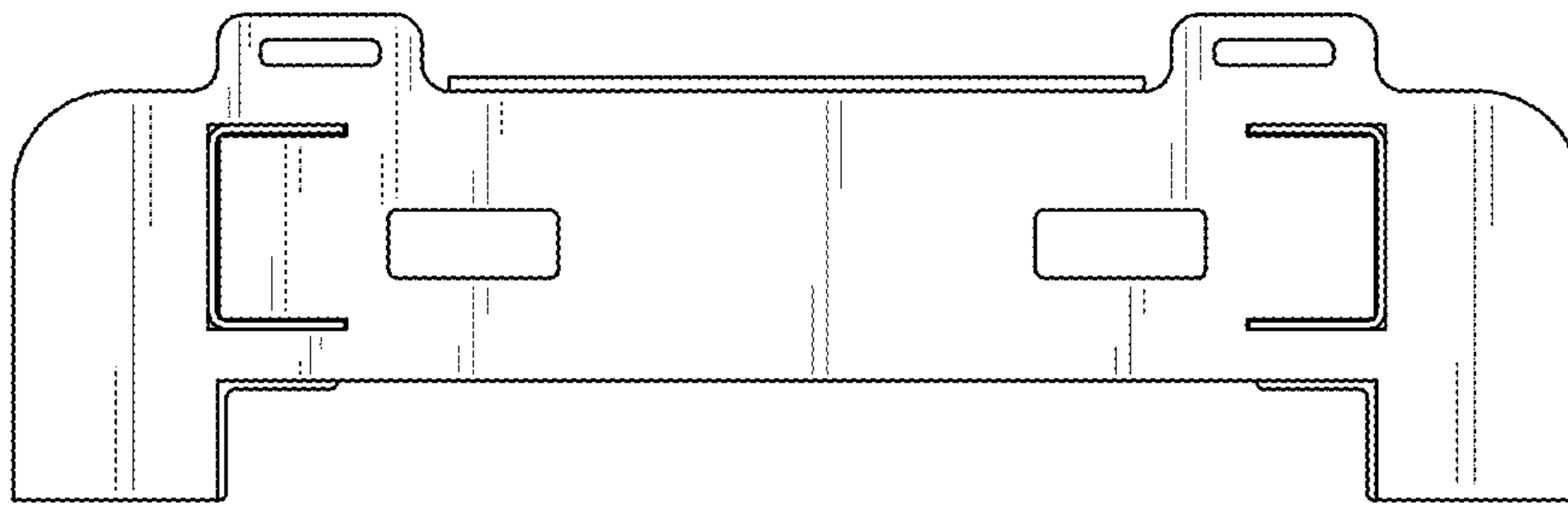


FIG. 3

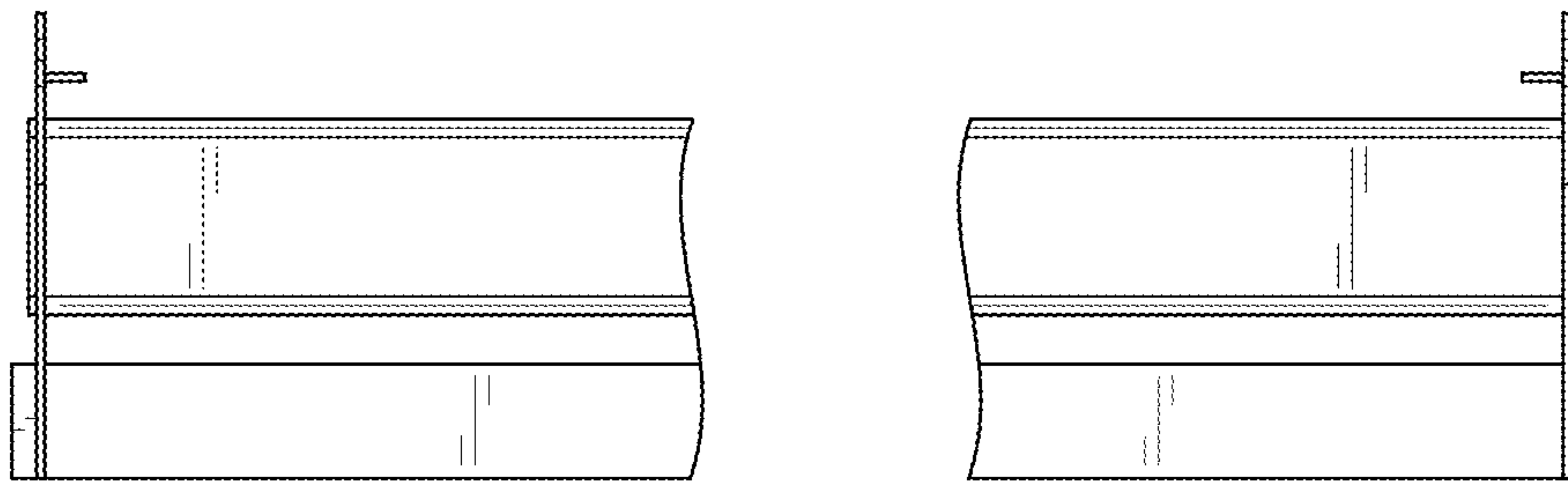


FIG. 4

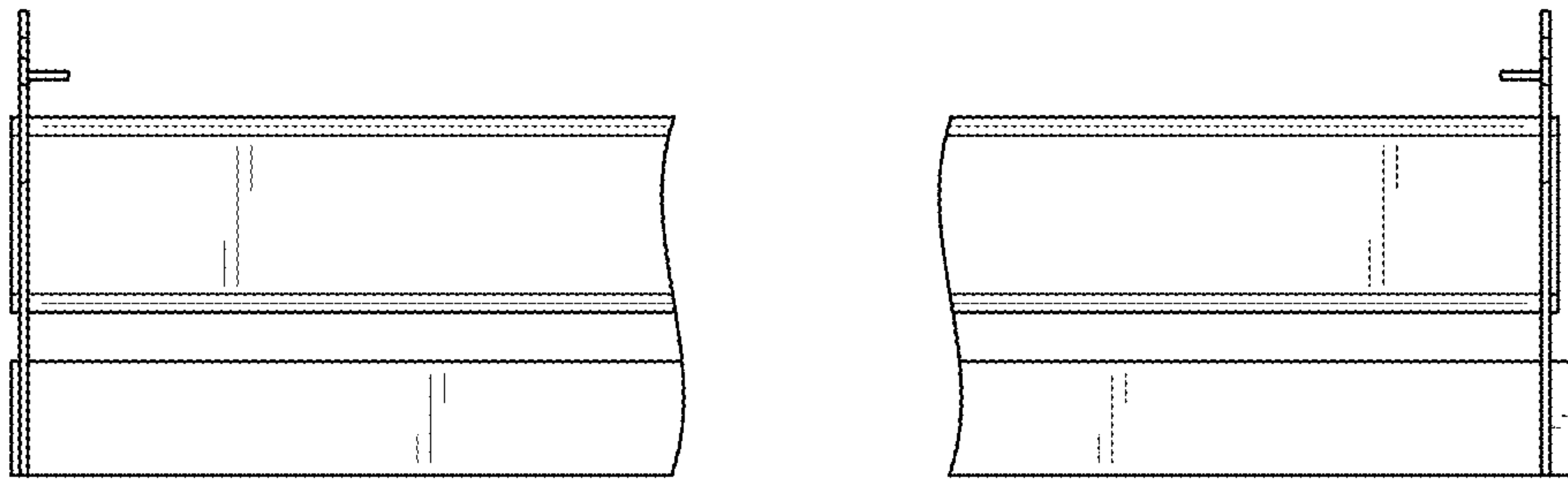


FIG. 5

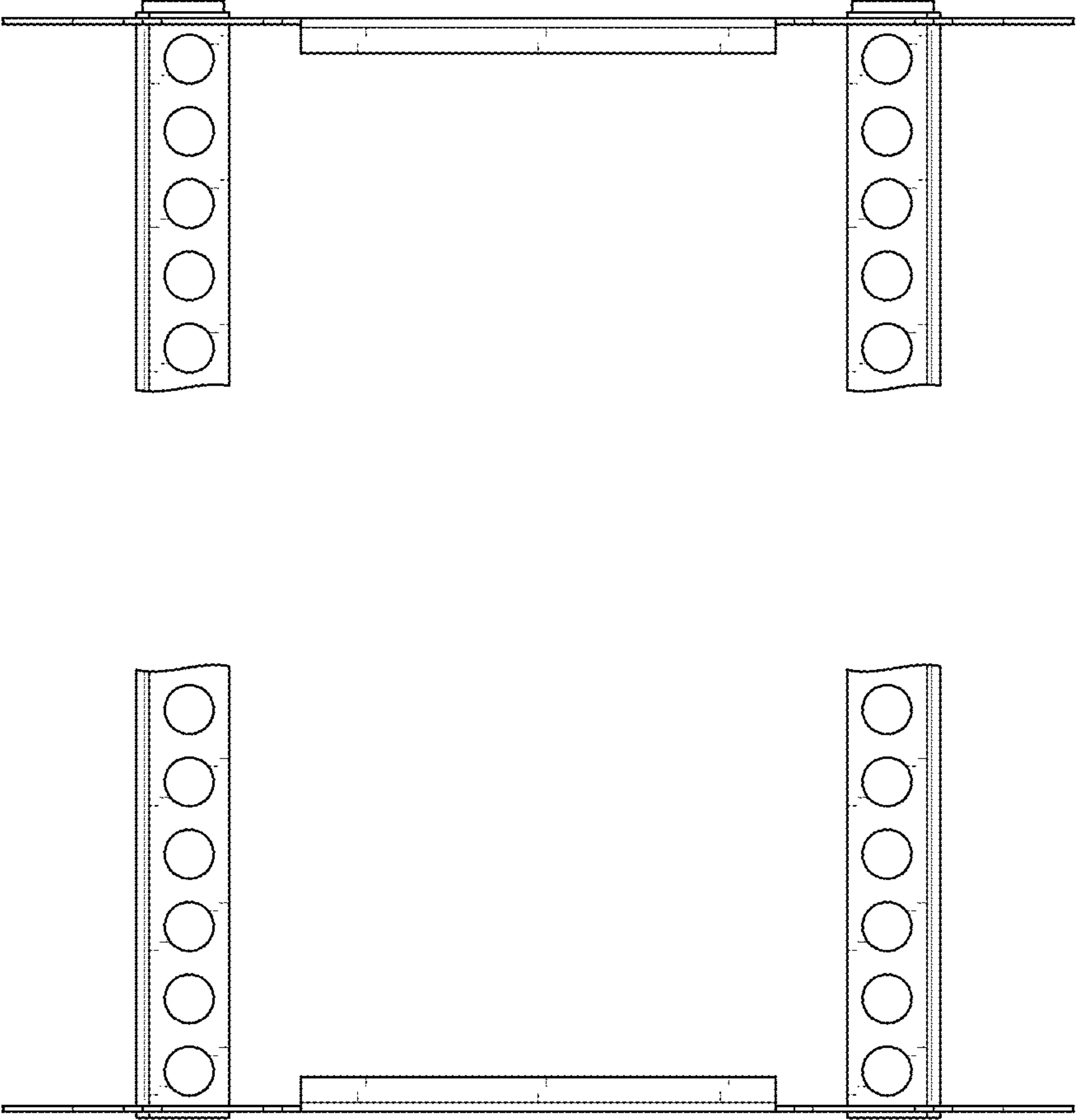


FIG. 6



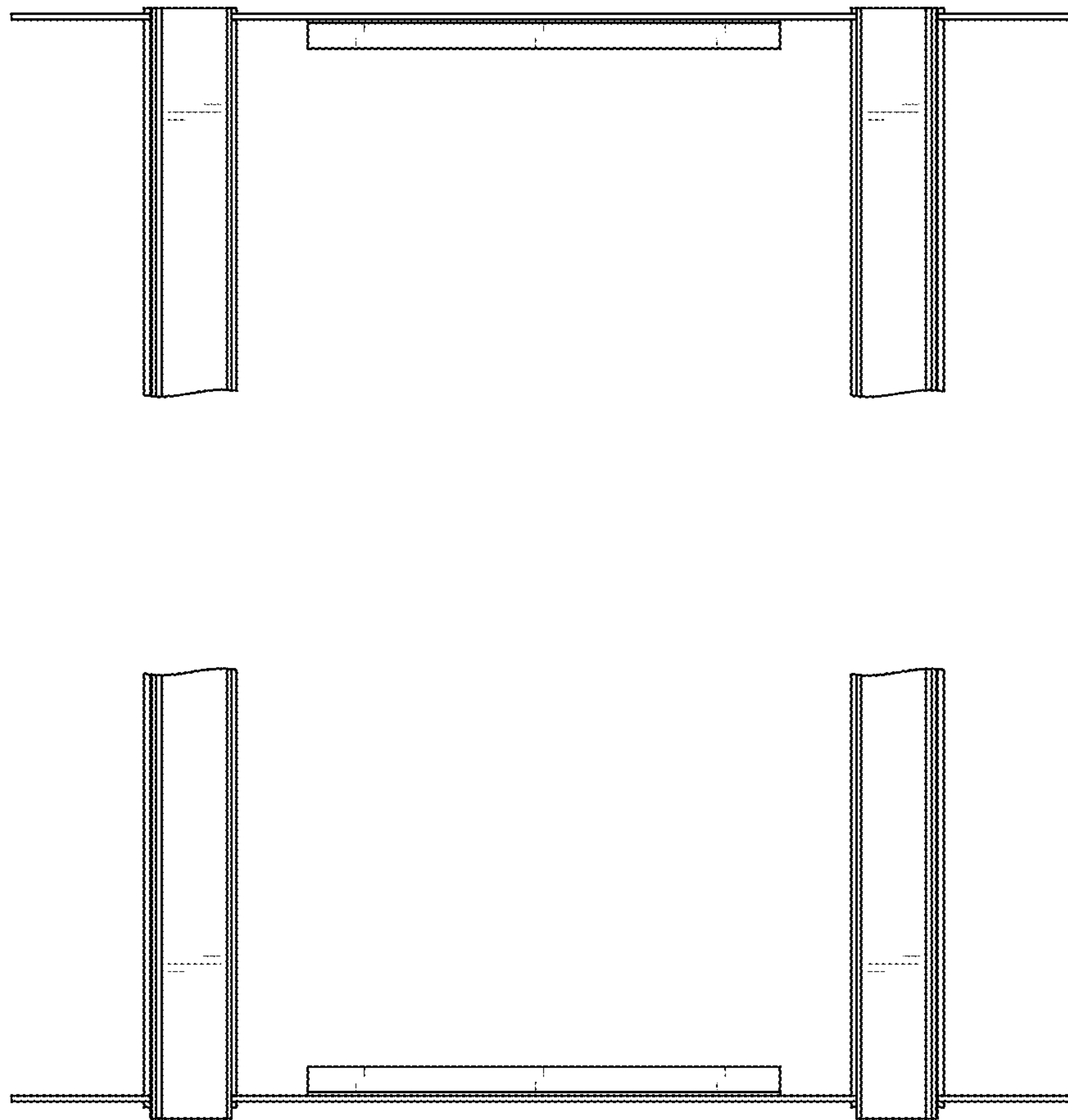


FIG. 7