



US00D796773S

(12) **United States Design Patent**
Marshall

(10) **Patent No.:** **US D796,773 S**

(45) **Date of Patent:** **** Sep. 5, 2017**

(54) **LOADING RAMP**

(71) Applicant: **MARSHALL INDUSTRIAL INC.,**
Ajax (CA)

(72) Inventor: **Bob Marshall, Ajax (CA)**

(**) Term: **15 Years**

(21) Appl. No.: **29/570,344**

(22) Filed: **Jul. 7, 2016**

(30) **Foreign Application Priority Data**

Jun. 17, 2016 (CA) 169088

(51) **LOC (10) Cl.** **12-05**

(52) **U.S. Cl.**
USPC **D34/32**

(58) **Field of Classification Search**
USPC D34/28, 32, 35; 254/88, 124; 193/38,
193/41; 414/537, 495, 678, 546;
14/71.1, 69.5, 71.3, 71.7, 71.5; 187/222,
187/245

CPC B65G 69/30; B65G 69/28; B60P 1/435;
B60P 1/43; B60P 1/431; B60P 1/436;
A61G 3/061; B66F 7/243

See application file for complete search history.

(56) **References Cited**

U.S. PATENT DOCUMENTS

4,372,727 A * 2/1983 Fredrickson B60P 1/433
414/537
6,179,545 B1 * 1/2001 Petersen, Jr. A61G 3/061
14/71.7
D543,675 S * 5/2007 Ji D34/32
7,222,838 B1 * 5/2007 Ji B66F 7/243
254/88
7,870,629 B2 * 1/2011 Setzer, Jr. B65G 69/30
14/69.5
D640,854 S * 6/2011 Leum D34/32
D706,513 S * 6/2014 LaBarbera D34/32

8,807,906 B2 * 8/2014 Nespor B60P 3/122
414/537
2007/0234491 A1 * 10/2007 Bailie B65G 69/30
14/69.5
2009/0300859 A1 * 12/2009 Lucht B65G 69/30
14/69.5

OTHER PUBLICATIONS

Marshall Industrial Inc. "LD5000 Adapt a Ramp", <https://www.portablemobileloadingramps.com/>. Apr. 10, 2017. shown in p. 1, Item # LD5000.*

Youtube "LD5000 Adapt a Ramp", www.youtube.com. Jan. 15, 2016. shown in p. 1, Item # LD5000.*

* cited by examiner

Primary Examiner — Susan E Krakower
Assistant Examiner — Michael Maharajh

(57) **CLAIM**

I claim the ornamental design for a loading ramp, as shown and described.

DESCRIPTION

FIG. 1 is a perspective front, top and right side view of a loading ramp showing my new design;

FIG. 2 is a right side elevational view of the loading ramp of FIG. 1;

FIG. 3 is a left side elevational view of the loading ramp of FIG. 1;

FIG. 4 is a top plan view of the loading ramp shown in FIG. 1;

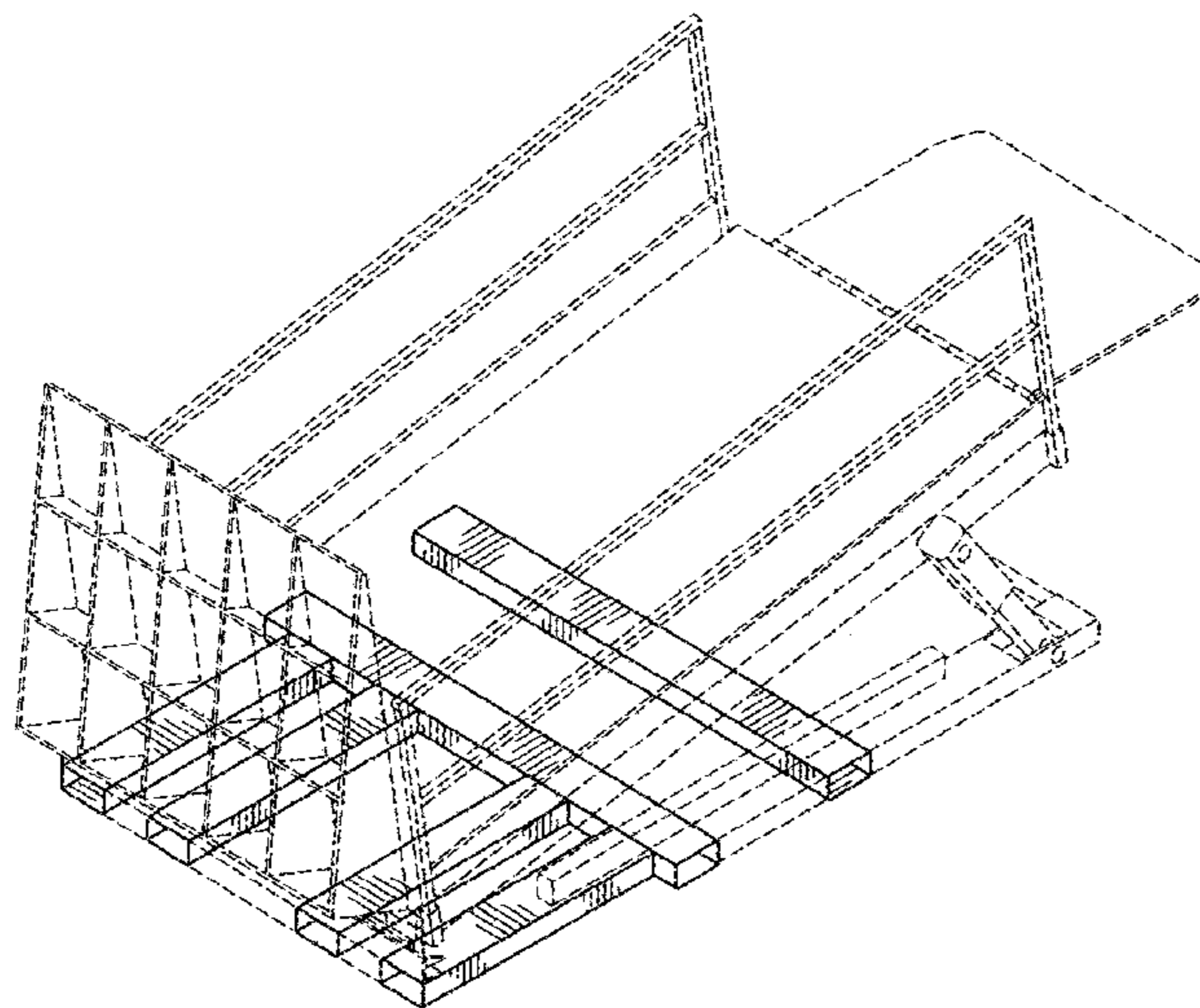
FIG. 5 is a front elevational view of the loading ramp shown in FIG. 1;

FIG. 6 is a rear elevational view of the loading ramp shown in FIG. 1; and,

FIG. 7 is a bottom plan view of the loading ramp shown in FIG. 1.

The broken lines depict portions of the loading ramp which form no part of the claimed design.

1 Claim, 6 Drawing Sheets



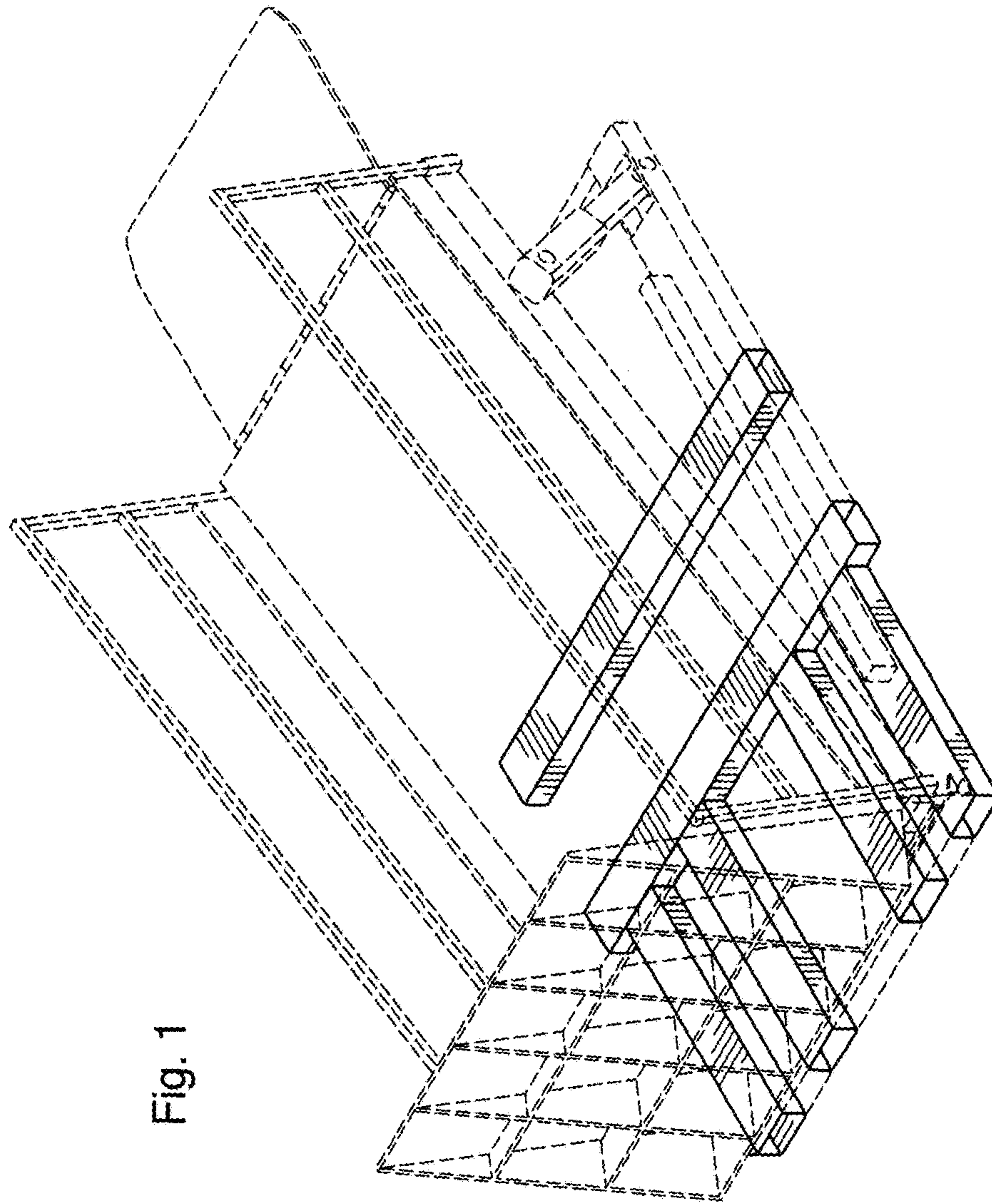


Fig. 1

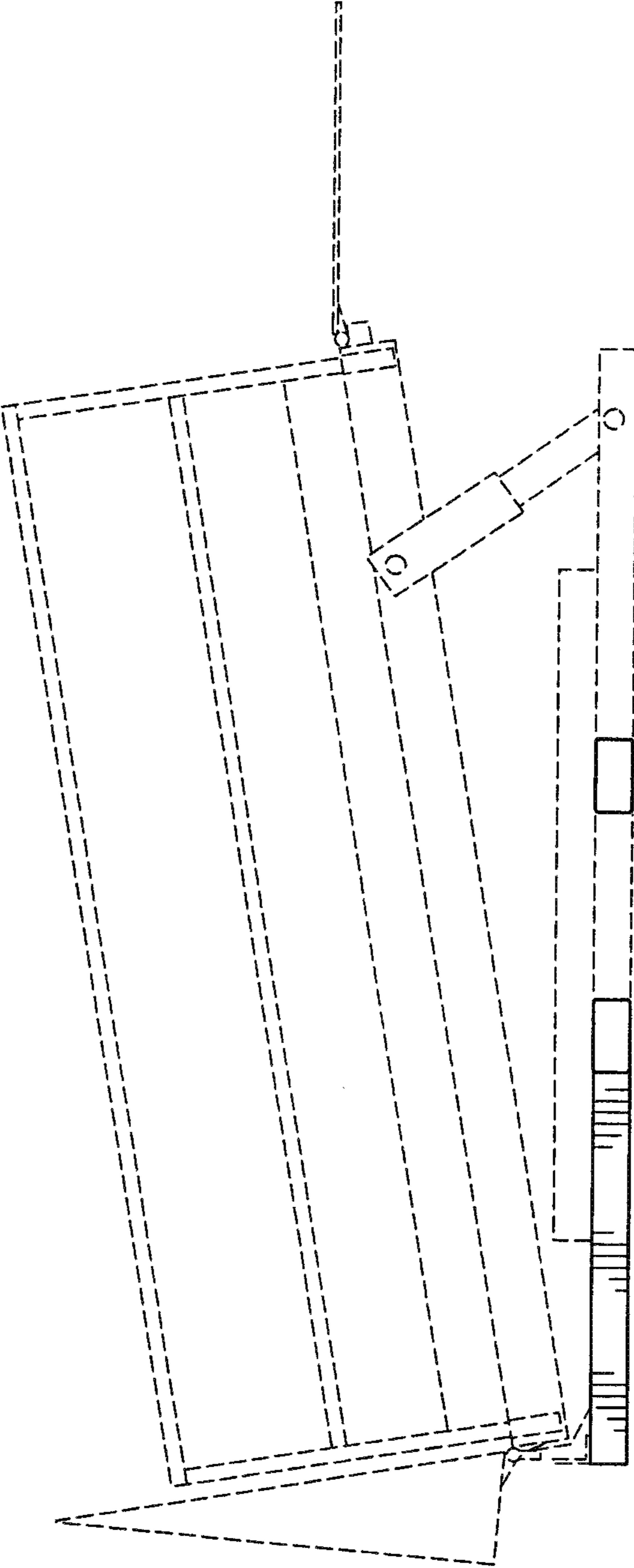


Fig. 2

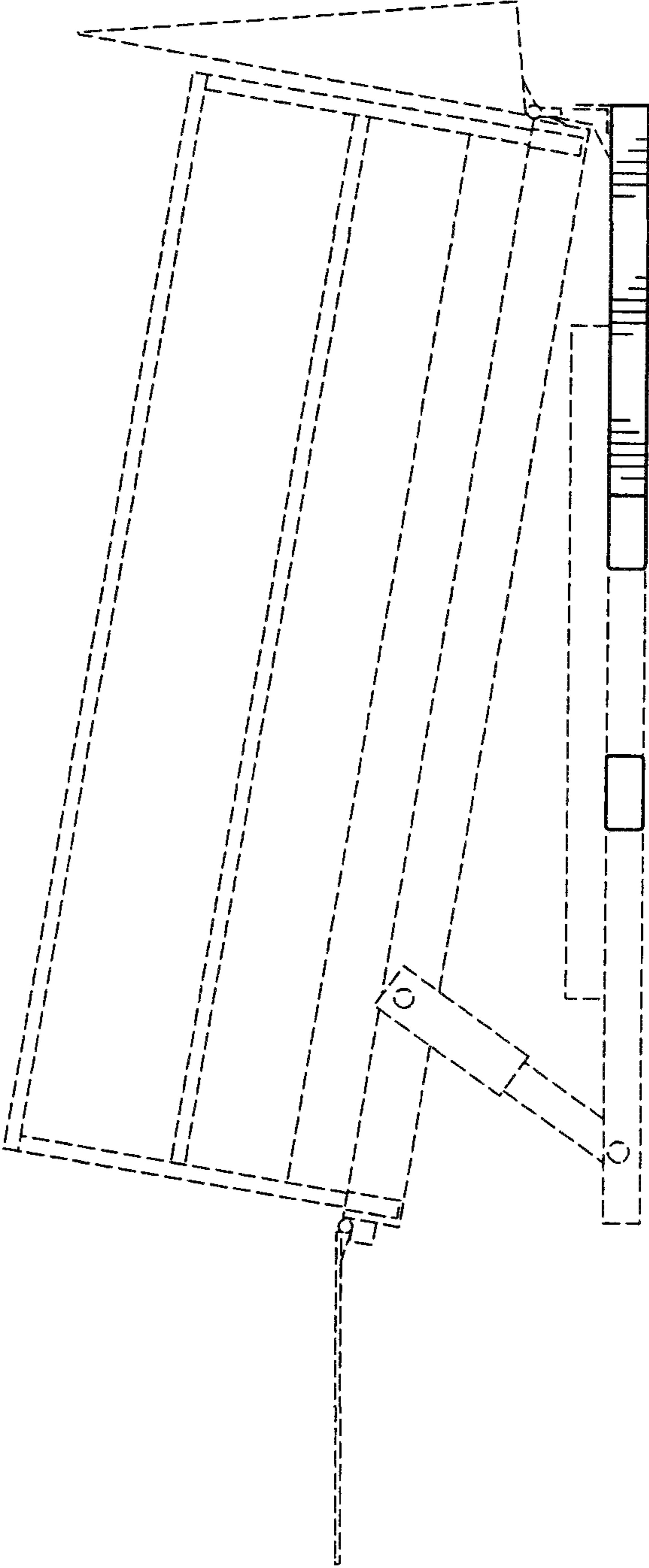
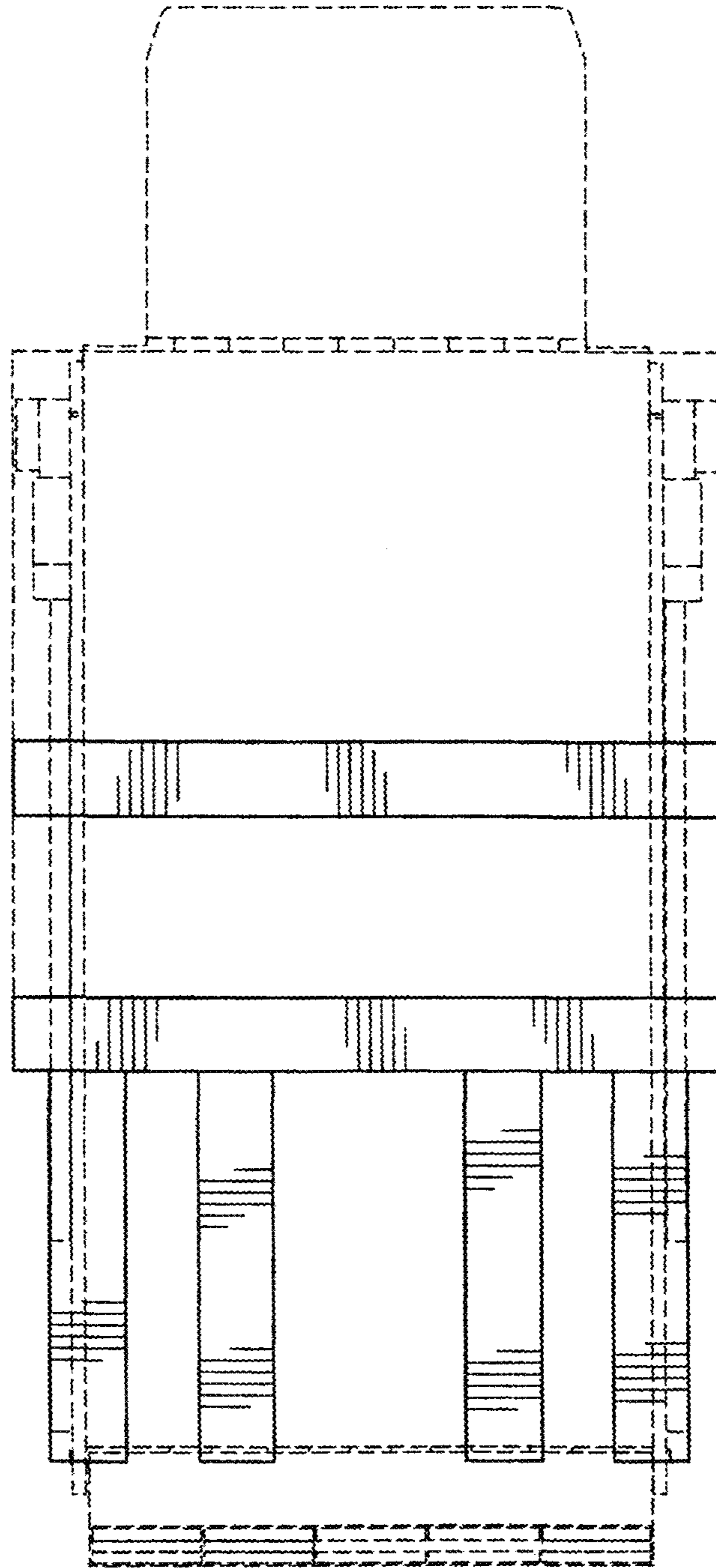


Fig. 3

Fig. 4



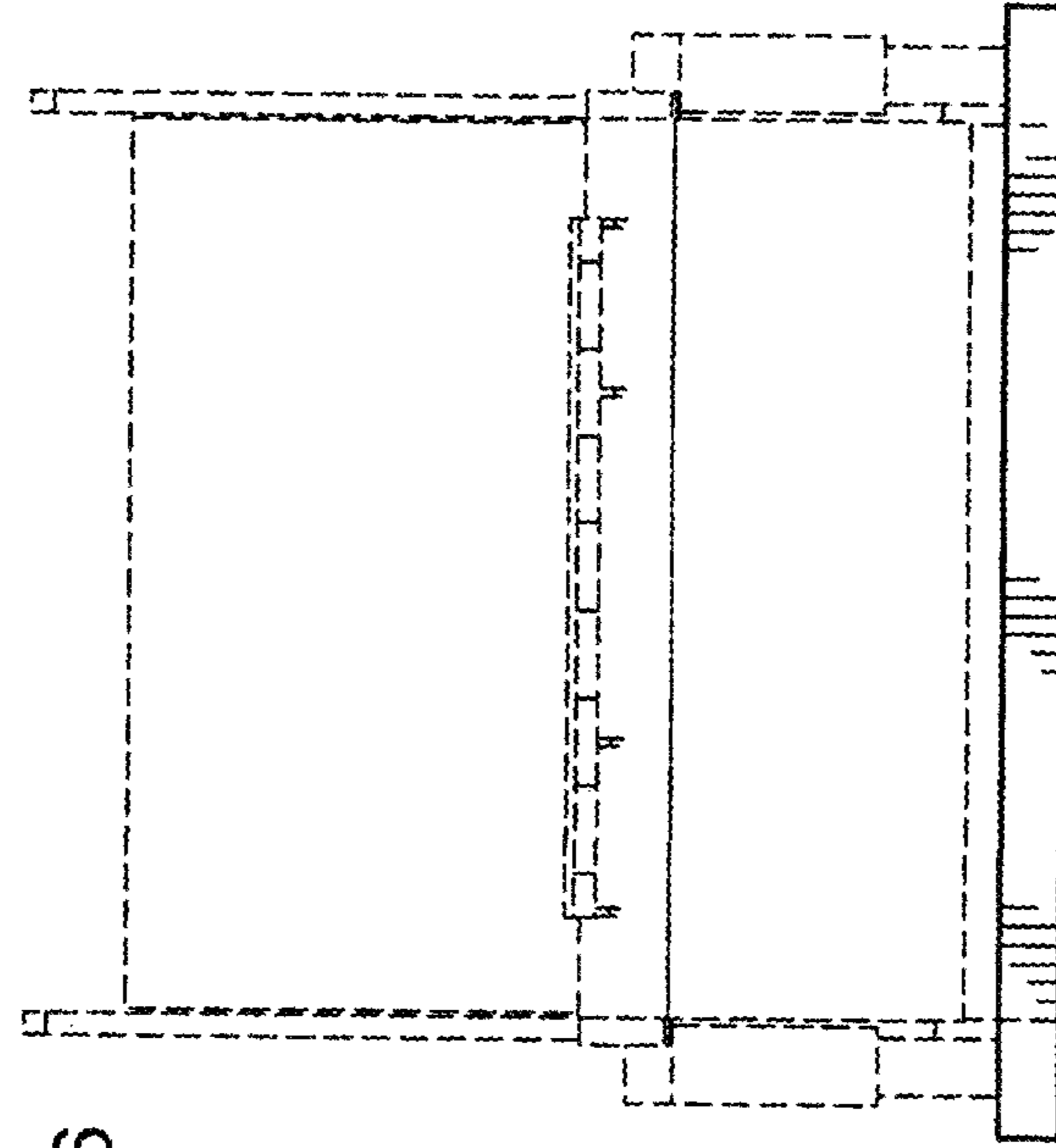


Fig. 6

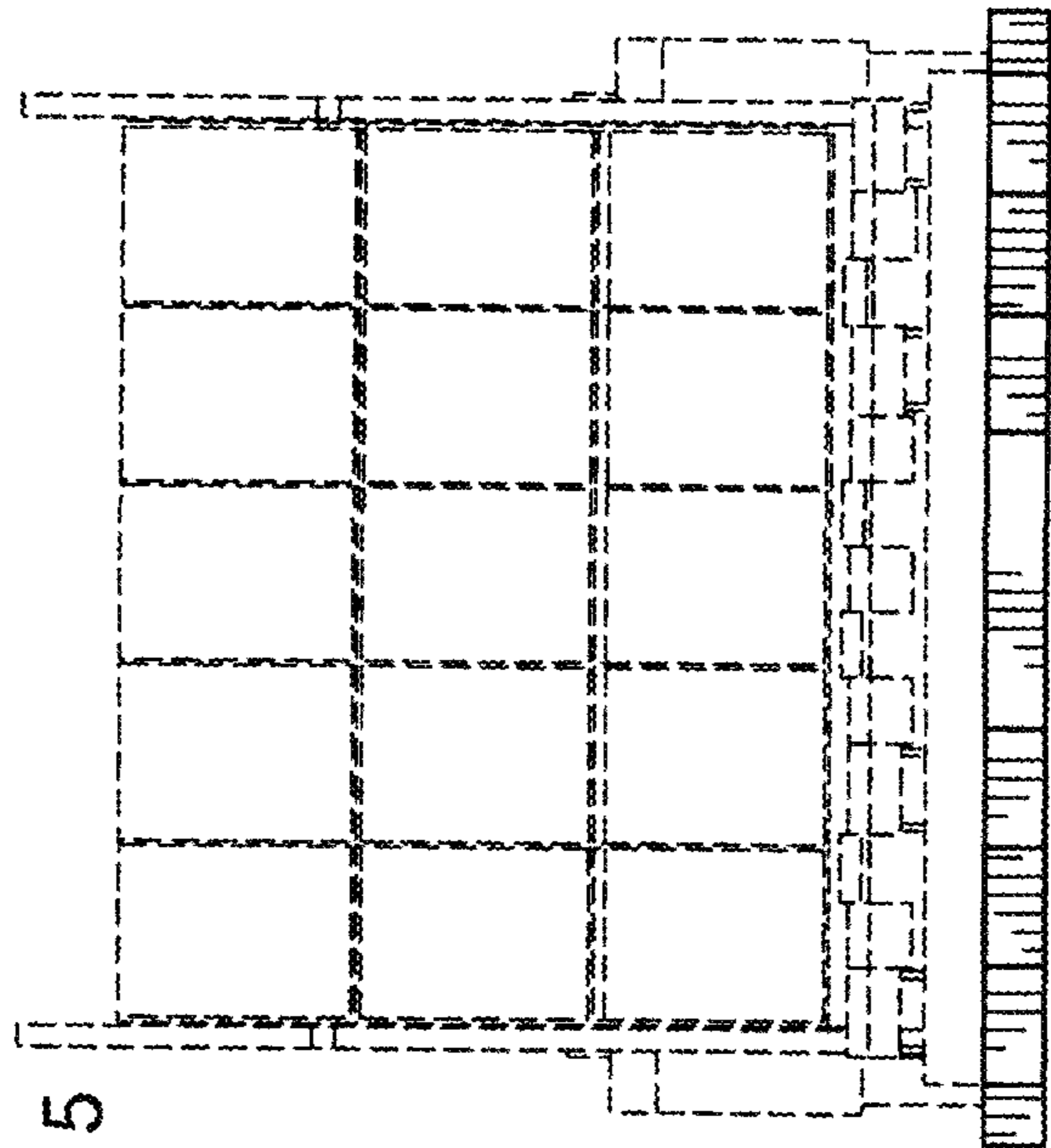


Fig. 5

Fig. 7

