



US00D796772S

(12) **United States Design Patent** (10) **Patent No.:** **US D796,772 S**  
**DeVries** (45) **Date of Patent:** **\*\* Sep. 5, 2017**

(54) **SCRAPER BLADE FOR CONVEYOR BELTS**

FOREIGN PATENT DOCUMENTS

(71) Applicant: **Flexible Steel Lacing Company,**  
Downers Grove, IL (US)

WO 2011034553 3/2011

(72) Inventor: **Brett E. DeVries,** Comstock Park, MI  
(US)

OTHER PUBLICATIONS

(73) Assignee: **Flexible Steel Lacing Company,**  
Downers Grove, IL (US)

Notification of Transmittal of the International Search Report and the Written Opinion of the International Searching Authority, or the Declaration from the International Bureau of WIPO for corresponding International Application No. PCT/US15/23018, dated Jul. 2, 2015, 13 pages.

(\*\*) Term: **14 Years**

(Continued)

(21) Appl. No.: **29/495,776**

*Primary Examiner* — Cynthia Ramirez

(22) Filed: **Jul. 3, 2014**

(74) *Attorney, Agent, or Firm* — Fitch, Even, Tabin & Flannery LLP

(51) **LOC (10) Cl.** ..... **12-05**

(52) **U.S. Cl.**  
USPC ..... **D34/29; D34/35**

(58) **Field of Classification Search**  
USPC ..... D34/29, 35; D8/45; 198/635, 499, 497;  
D25/124

CPC ..... B65G 45/12; B65G 45/14; B65G 45/16;  
B65G 45/26; B65G 45/20; B65G  
2203/042

See application file for complete search history.

(57) **CLAIM**

I claim the ornamental design for a scraper blade for conveyor belts, as shown and described.

**DESCRIPTION**

FIG. 1 is a perspective view of a scraper blade for conveyor belts, showing my new design;  
FIG. 2 is a side elevational view thereof, the opposite side view being a mirror image thereof;  
FIG. 3 is a top plan view thereof;  
FIG. 4 is a rear elevational view thereof;  
FIG. 5 is a front elevational view thereof; and,  
FIG. 6 is a bottom plan view thereof.

The broken lines shown in the figures are included for the purpose of illustrating portions of the scraper blade for conveyor belts and form no part of the claimed design.

The scraper blade for conveyor belts is shown with a symbolic break in its length by wavy lines in FIGS. 1 and 3-6. The appearance of any portion of the scraper blade for conveyor belts between the wavy lines and the wavy lines themselves form no part of the claimed design.

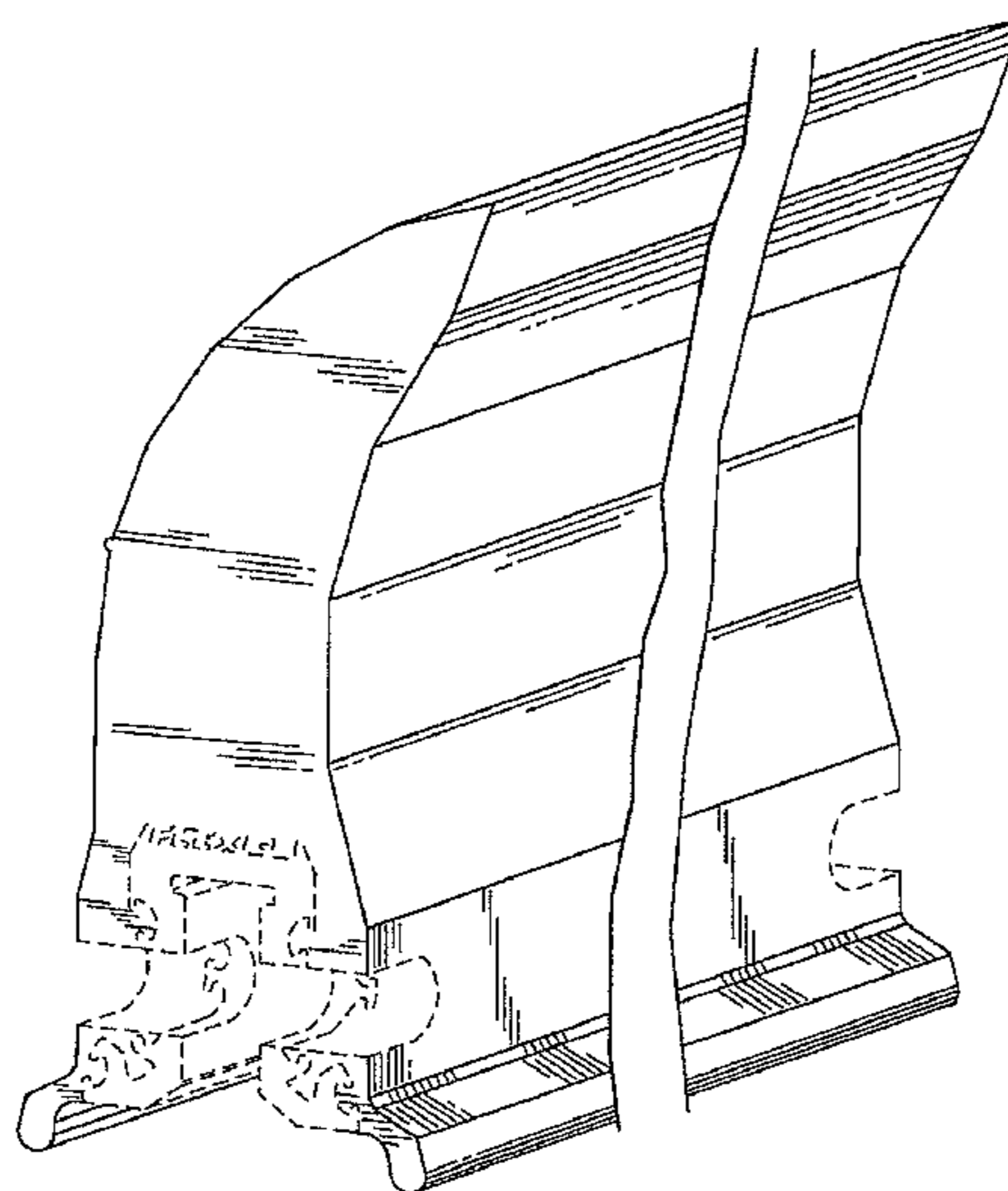
(56) **References Cited**

U.S. PATENT DOCUMENTS

4,658,949 A	4/1987	Reicks
4,811,833 A	3/1989	Slikker
4,917,231 A	4/1990	Swinderman
4,953,689 A	9/1990	Peterson et al.
4,984,326 A	1/1991	Horie et al.
5,197,587 A	3/1993	Malmberg
5,222,589 A	6/1993	Gordon
D347,918 S	6/1994	Gibbs
D357,563 S	4/1995	Vosbikian
5,438,400 A	8/1995	Kuribayashi et al.
D369,886 S	5/1996	McCollum
D371,610 S	7/1996	Hsiao
D371,611 S	7/1996	Hsiao

(Continued)

**1 Claim, 4 Drawing Sheets**



(56)

References Cited

U.S. PATENT DOCUMENTS

D371,612 S 7/1996 Hsiao  
 5,797,587 A 8/1998 Schumacher  
 5,802,662 A 9/1998 Veazie, III  
 5,887,702 A 3/1999 Mott  
 5,979,638 A 11/1999 Wiggins  
 6,056,112 A 5/2000 Wiggins  
 6,082,524 A 7/2000 Brink  
 6,315,105 B1 11/2001 Gibbs et al.  
 6,321,901 B1 11/2001 Strebel et al.  
 6,349,816 B1 2/2002 Tenzer  
 6,401,911 B1 6/2002 Swinderman  
 6,439,373 B1 8/2002 Swinderman  
 6,457,575 B2 10/2002 Swinderman  
 D482,508 S 11/2003 DeVries  
 6,926,133 B2 8/2005 Kolodziej  
 7,347,315 B2 3/2008 Kolodziej et al.  
 D594,623 S 6/2009 Felton  
 D632,045 S 2/2011 Kotze  
 8,123,022 B2 2/2012 Mott et al.  
 8,464,858 B2 6/2013 Kirschner et al.  
 D702,013 S 4/2014 Childs et al.  
 D702,014 S 4/2014 Childs et al.  
 D710,564 S 8/2014 Yang  
 8,875,870 B2 11/2014 Waters  
 D740,514 S 10/2015 Peterson et al.  
 9,242,805 B2 1/2016 DeVries  
 D756,060 S \* 5/2016 DeVries ..... D34/29

2003/0066737 A1 4/2003 Malmberg  
 2003/0230466 A1 12/2003 Swinderman et al.  
 2004/0188224 A1 9/2004 Kolodziej et al.  
 2006/0131135 A1 6/2006 Waters et al.  
 2007/0089968 A1 4/2007 Swinderman  
 2010/0126832 A1 5/2010 DeVries  
 2011/0220461 A1 9/2011 Kirschner  
 2012/0247922 A1 10/2012 Waters

OTHER PUBLICATIONS

ConShear Retrofit Replacement Blades for OEM Belt Cleaners Part No. Cross-Reference Guide, copyright date 2008, 11 pages.  
 Superior Replacement Blades Part No. Reference Guide, accessed prior to Mar. 28, 2014, 5 pages.  
 Argonics Engineered Polyurethane Replacement Blades Technical Product Bulletin, accessed from www.argonics.com, accessed prior to Mar. 28, 2014, 10 pages.  
 ASGCO website, Replacement blades, accessed from www.ASGCO.com, copyright date 2014, 8 pages.  
 Picture of Scraper Blade from Martin Engineering, publicly available before Mar. 28 2014, 1 page.  
 Flexco, Belt Conveyor Products, copyright date 2013, 28 pages.  
 Argonics, Replacement Blades, Raptor & Accuflo Retrofit Blades, accessed prior to Mar. 28, 2014, 2 pages.  
 Utility U.S. Appl. No. 14/229,800, filed Mar. 28, 2014, 25 pages.  
 Design U.S. Appl. No. 29/486,403, filed Mar. 28, 2014, 30 pages.

\* cited by examiner

FIG. 1

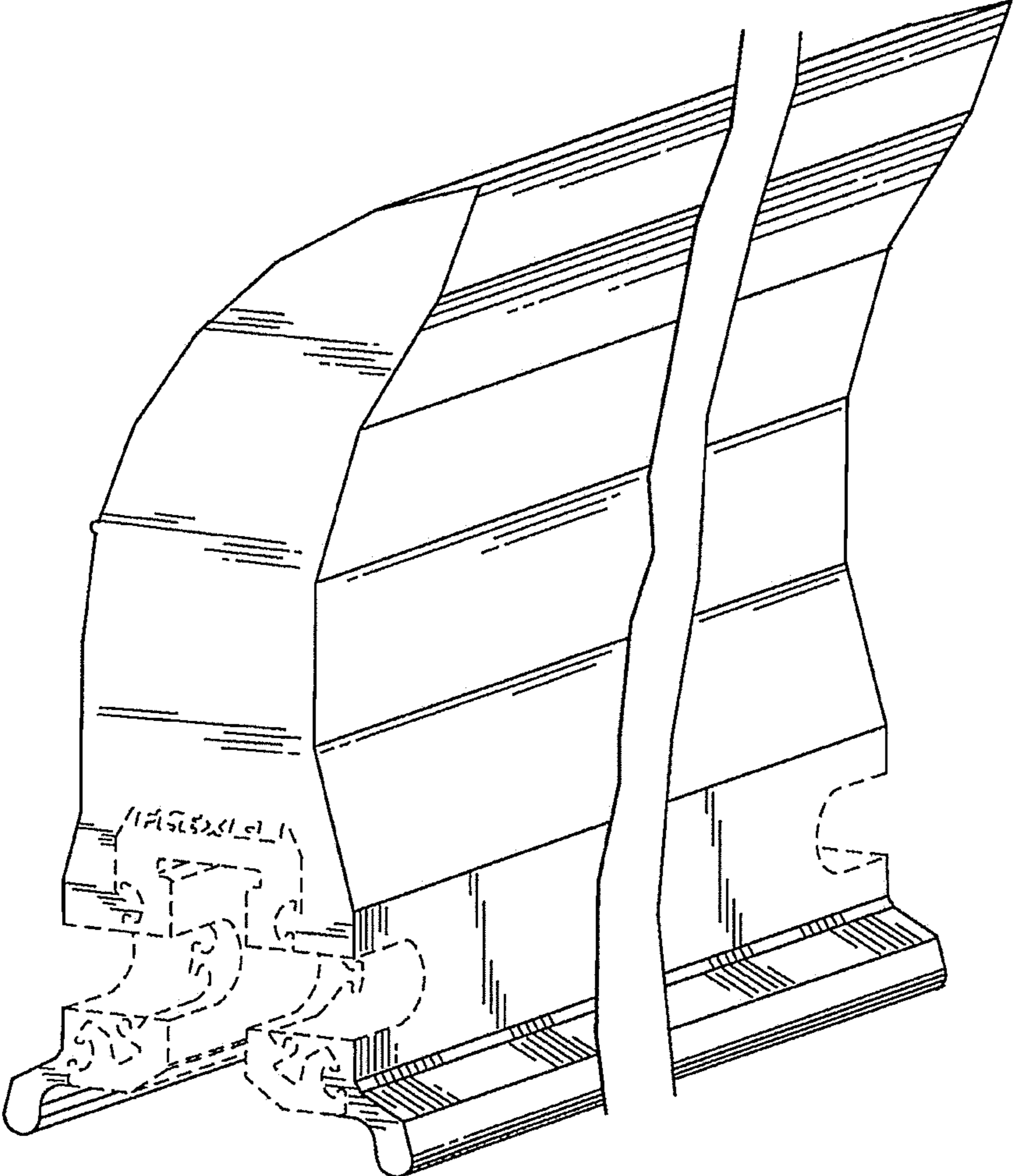


FIG. 2

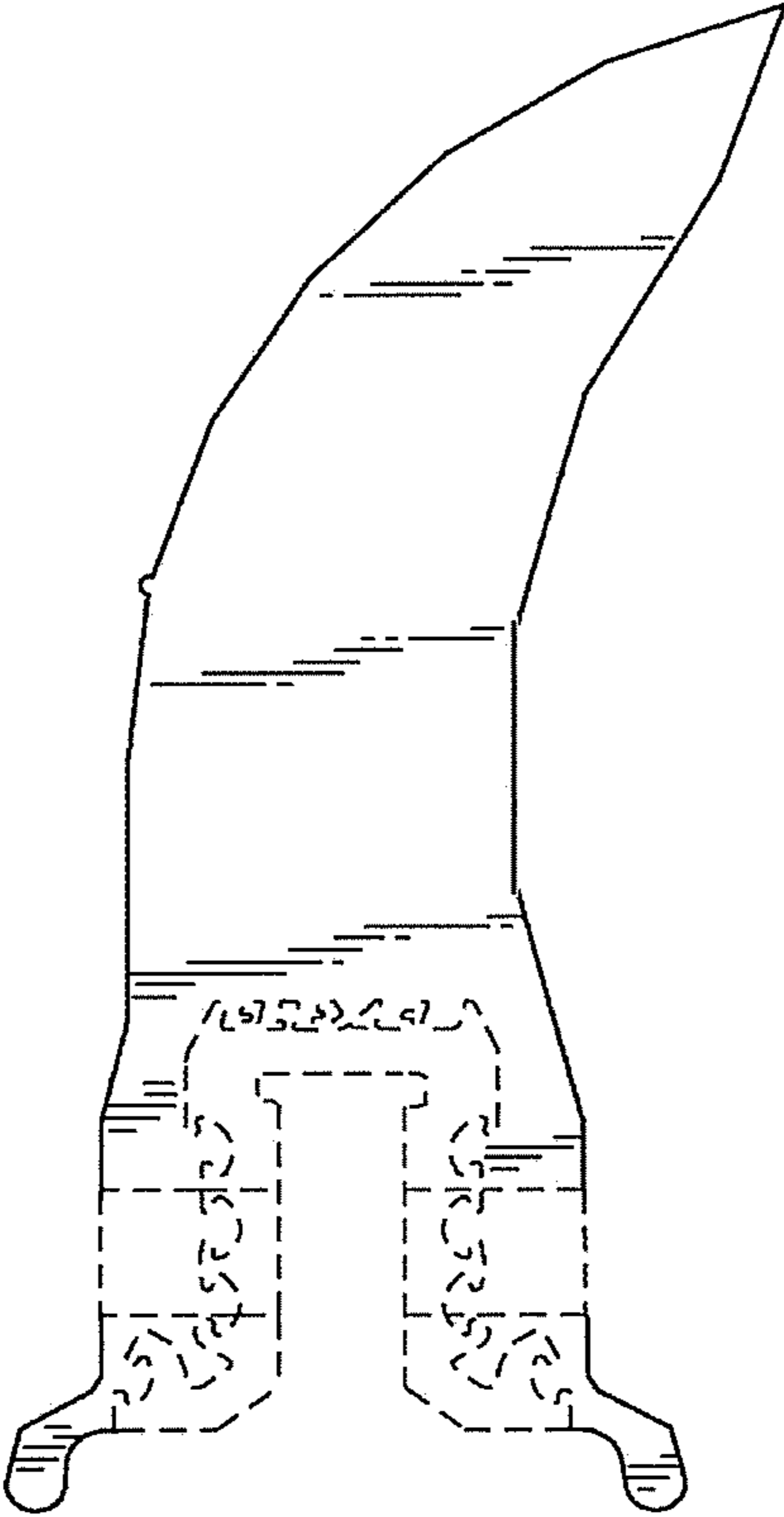


FIG. 3

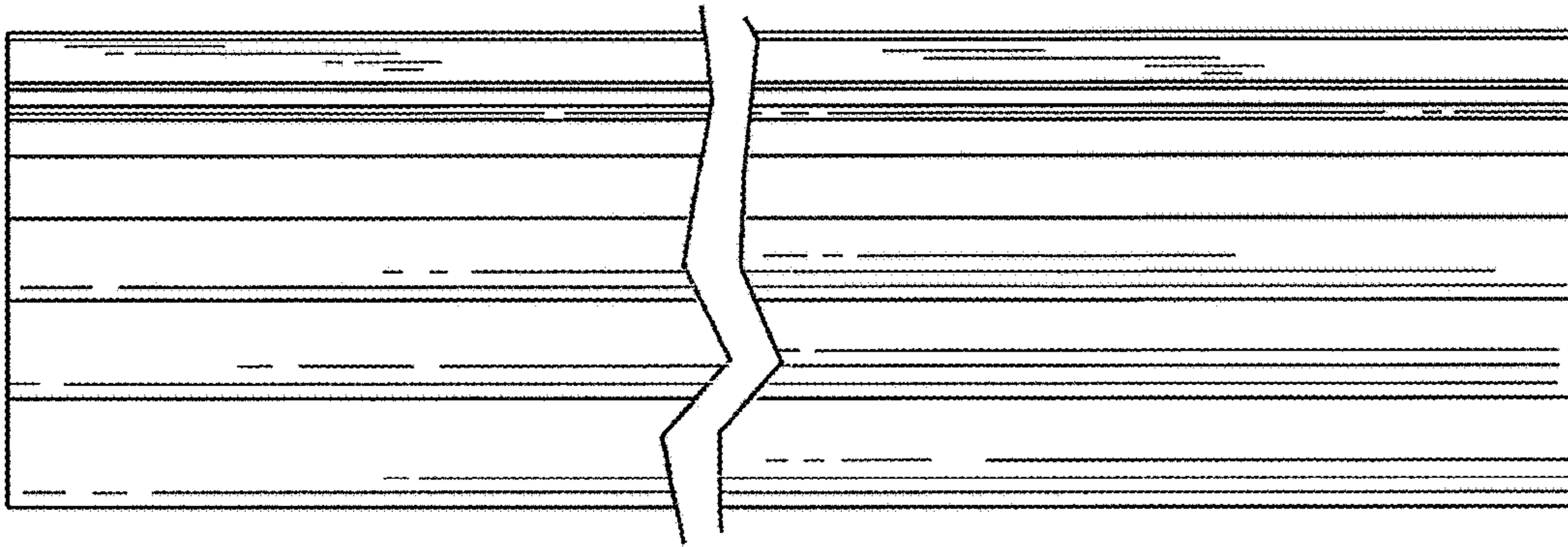


FIG. 4

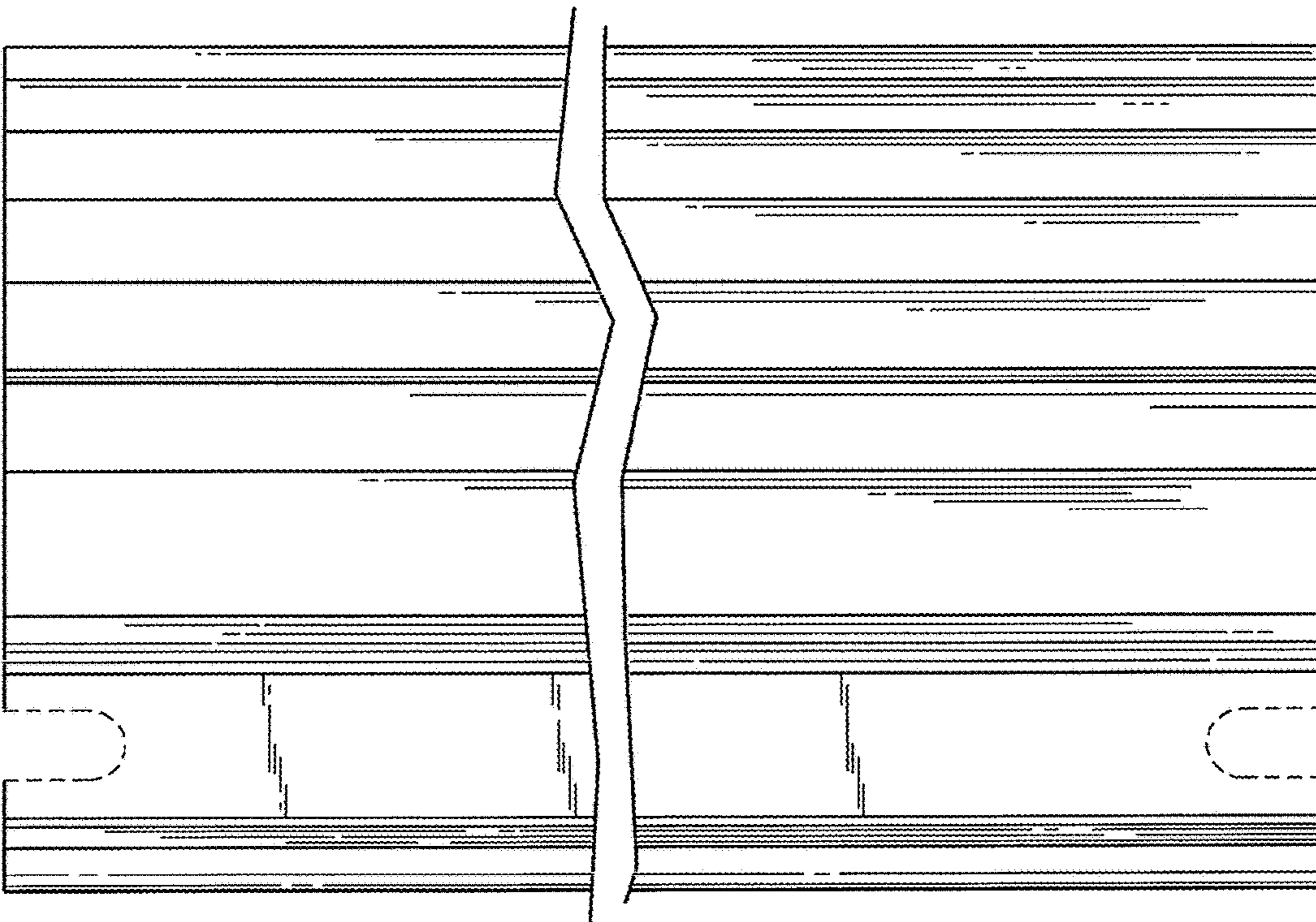


FIG. 5

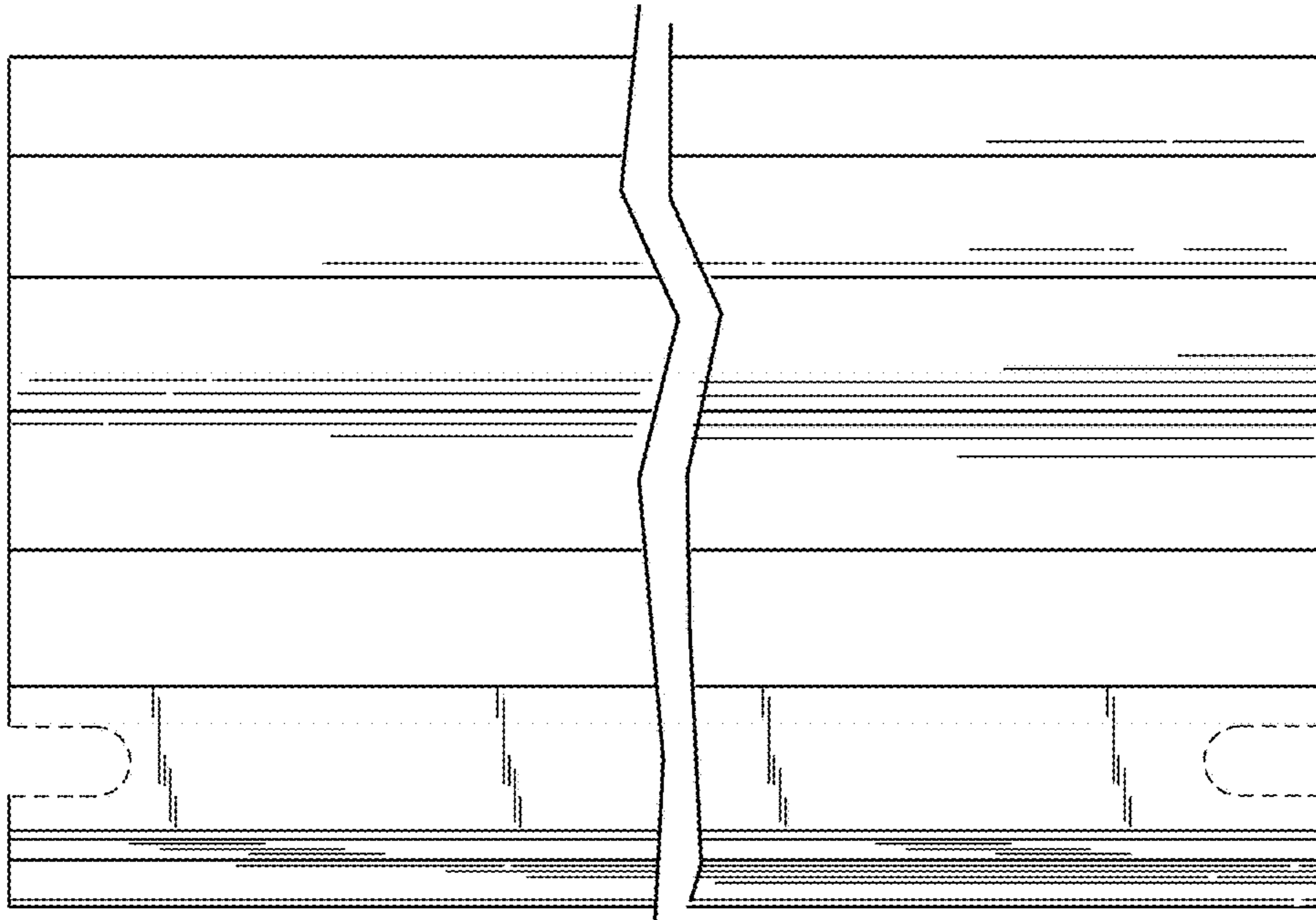


FIG. 6

