



US00D796771S

(12) **United States Design Patent** (10) **Patent No.:** **US D796,771 S**
Bacallao et al. (45) **Date of Patent:** **** Sep. 5, 2017**

(54) **SHOPPING CART BASKET**

FOREIGN PATENT DOCUMENTS

(71) Applicant: **Wal-Mart Stores, Inc.**, Bentonville, AR (US)

CA 2789288 A1 3/2014
JP 2007323453 A 12/2007

(Continued)

(72) Inventors: **Yurgis Mauro Bacallao**, Centerton, AR (US); **Dennis Charles Beere, II**, Centerton, AR (US)

OTHER PUBLICATIONS

(73) Assignee: **WAL-MART STORES, INC.**, Bentonville, AR (US)

“Universal Double Car Vehicle Hangers/Hooks Grocery Bags/ Handbags/Umbrellas Organizer—Black,” DealsMachine.com, accessed on Oct. 15, 2015; 2 pages.

(Continued)

(**) Term: **15 Years**

(21) Appl. No.: **29/572,901**

Primary Examiner — Cynthia Ramirez

Assistant Examiner — Michael Maharajh

(22) Filed: **Aug. 1, 2016**

(74) *Attorney, Agent, or Firm* — Schmeiser, Olsen & Watts LLP

(51) **LOC (10) Cl.** **12-02**

(52) **U.S. Cl.**

USPC **D34/27**

(58) **Field of Classification Search**

USPC D34/12, 13, 14, 15, 16, 17, 19, 18, 20, D34/21, 22, 23, 24, 25, 26, 27; 180/20; 280/647, 33.997, 47.26, 47.35, 47.38, 280/33.996, 33.991, 33.992, 33.995, 79.2, 280/651, 659, 79.3, 33.993, 33.998; D12/129; 220/668, 676; 211/71.01; 224/409, 411, 518, 274; D6/512, 525, D6/513; D3/306, 307

CPC B62B 3/14; B62B 3/1468; B62B 3/1484; Y10S 280/04

See application file for complete search history.

(57) **CLAIM**

The ornamental design for a shopping cart basket, as shown and described.

DESCRIPTION

FIG. 1 is a front perspective view of a shopping cart basket, showing our new design.

FIG. 2 is a front view of the shopping cart basket of FIG. 1;

FIG. 3 is a rear view of the shopping cart basket of FIG. 1;

FIG. 4 is a top view of the shopping cart basket of FIG. 1;

FIG. 5 is a bottom view of the shopping cart basket of FIG. 1;

FIG. 6 is a right side view of the shopping cart basket of FIG. 1; and,

FIG. 7 is a left side view of the shopping cart basket of FIG. 1.

The broken lines shown in the figures are for the purpose of illustrating portions of the shopping cart basket and form no part of the claimed design.

(56) **References Cited**

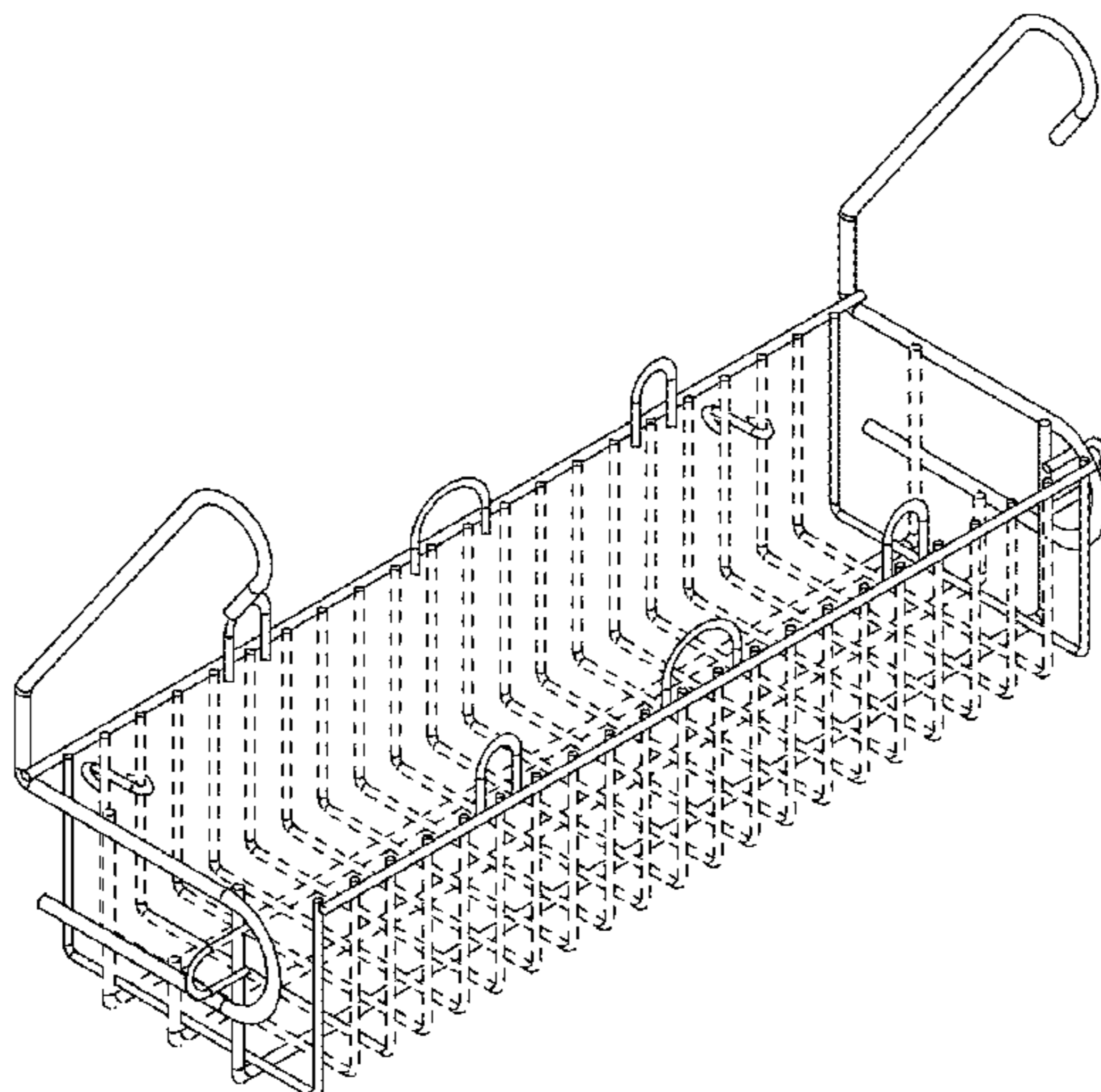
U.S. PATENT DOCUMENTS

4,305,558 A 12/1981 Baker
4,682,782 A * 7/1987 Mills B62B 3/144
280/33.993

4,838,504 A 6/1989 Bittenbinder
D302,062 S 7/1989 Sable

(Continued)

1 Claim, 7 Drawing Sheets



(56)

References Cited

U.S. PATENT DOCUMENTS

4,881,577 A 11/1989 Stroh et al.
 4,974,799 A 12/1990 Palmer
 4,998,694 A 3/1991 Barteaux
 5,366,123 A 11/1994 Range
 5,437,346 A 8/1995 Dumont
 5,465,846 A 11/1995 Blyth et al.
 5,190,253 A 6/1997 Edwards et al.
 6,041,945 A 3/2000 Faraj
 6,086,023 A 7/2000 Kerr et al.
 6,155,521 A 12/2000 O’hanlon
 6,390,422 B2 5/2002 Banko
 6,543,638 B2 4/2003 Wile
 6,655,537 B1 12/2003 Lang et al.
 6,726,156 B1 4/2004 Scola
 6,789,687 B2 9/2004 Cramer
 7,066,389 B2 6/2006 Dickover et al.
 7,192,035 B1 3/2007 Lioce
 D552,901 S 10/2007 Wilfong, Jr. et al.
 7,475,885 B2 1/2009 Kovath
 7,610,717 B2 11/2009 Luken et al.
 D616,680 S * 6/2010 Snider D6/513
 7,887,068 B2 2/2011 Ferguson
 D650,209 S * 12/2011 Snider D6/513
 D693,577 S * 11/2013 Goodman D3/306
 8,668,207 B1 3/2014 Gilliam
 D718,054 S * 11/2014 Goodman D3/306
 8,905,411 B1 12/2014 Blanton
 D720,538 S * 1/2015 Goodman D3/304
 D728,255 S * 5/2015 Guindi D6/513
 D746,592 S * 1/2016 Goodman D3/306
 D747,876 S * 1/2016 Goodman D3/306
 D784,721 S * 4/2017 Goodman D6/525
 D785,333 S * 5/2017 Goodman D3/307
 2002/0145086 A1 10/2002 Alvarado et al.
 2004/0124598 A1 7/2004 Williams
 2004/0262385 A1 12/2004 Blaeuer et al.
 2006/0097467 A1 5/2006 Solomon et al.
 2006/0226187 A1* 10/2006 Linker B62B 1/04
 224/274
 2007/0278359 A1 12/2007 Kandah
 2009/0092342 A1 4/2009 Rolim de Oliveira
 2010/0096514 A1 4/2010 Adair et al.
 2010/0219219 A1 9/2010 Svetina
 2010/0264101 A1 10/2010 Ma
 2011/0266092 A1 11/2011 Marquis et al.
 2012/0169020 A1 7/2012 Farrell
 2013/0092804 A1 4/2013 Laitila et al.
 2016/0096542 A1* 4/2016 Fukushima B62B 3/1468
 224/411

FOREIGN PATENT DOCUMENTS

WO 2007141417 A1 12/2007
 WO 2013079878 A1 6/2013

OTHER PUBLICATIONS

“Over-the-Door Hook 3 Hook InterDesign,” Target.com, accessed on Oct. 15, 2015; 4 pages.
 JoshM “Smart Shopping Cart: Bagging Station Design,” EECS398SmartShoppingCart.blogspot.in, Mar. 22, 2015; 2 pages.
 “Clear Suspended Ceiling Hook,” DoltBest.com, accessed on Oct. 14, 2015; 3 pages.
 “Industrial T-shirt Bag Stand—Just like Grocery Stores,” SmallBizWarehouse.com, accessed on Oct. 14, 2015; 4 pages.
 “Dual L-Shape Flash Bracket Holder Mount for Canon Nikon Speedlikte DSLR Camera,” Amazon.com, accessed on Jan. 5, 2016; 5 pages.
 “InterDesign Classico Over-the-Door Tie and Belt Rack,” HoldnStorage.com, accessed on Nov. 22, 2016; 2 pages.
 “Small Matte ‘So-Hooked’ Rack,” The Container Store, accessed on Nov. 22, 2016; 2 pages.
 “POS Check Out Plastic Bag Holder Dispenser for Retail Supermarket Brand New!” Ebay.com, accessed on Nov. 17, 2016; 5 pages.
 “Lot 2 Royston Plastic Grocery Bag Holder Dispenser Stand Point of Sale Shopping,” TeraPeak.com, accessed on Nov. 17, 2016; 3 pages.
 “Bag Holders,” ULINE.mx, accessed on Nov. 17, 2016; 1 page.
 “OEM Express Checkout Counter/Customized Supermarket Cash Register Stands Counters,” Guangzhou ECO Commerical Equipment Co., Ltd, SupermarketCheckoutCounters.com, accessed on Nov. 17, 2016; 3 pages.
 “Retrospec Bicycles Detachable Steel Half-Mesh Apollo Bike Basket with Handles,” Retrospec Bicycles, Amazon.com, accessed on Apr. 27, 2017; 1 page.
 “Transport trolley/waste/with waste bag holder/1-bag WASTY 70 LT Francehopital,” MedicalExpo.com, accessed on Apr. 25, 2017; 25 pages.
 Jackie, “How to Make a Clothespin Bag,” TheHappyHousewife.com, Apr. 19, 2012; 14 pages.
 “Gluman Combo of 12 Sparkle Clothes Hangers (Yellow) and 6 Plastic Kitchen Storage Containers Blue (125 ml),” PAYtm.com, accessed on Apr. 24, 2017; 3 pages.
 “Pack-N-Tote Reusable Grocery Cart Bag, Hooks Directly to the Shopping Cart, Black,” Six Mour Creations, Amazon.com, accessed on Apr. 24, 2017; 5 pages.
 “Toygully 12 Pack Solid Steel Finish Hangers with Clips strong,” PAYtm.com, accessed on Apr. 26, 2017; 3 pages.
 Search Report in United Kingdom patent application No. GB1621567.5, dated Jun. 14, 2017; 5 pages.

* cited by examiner

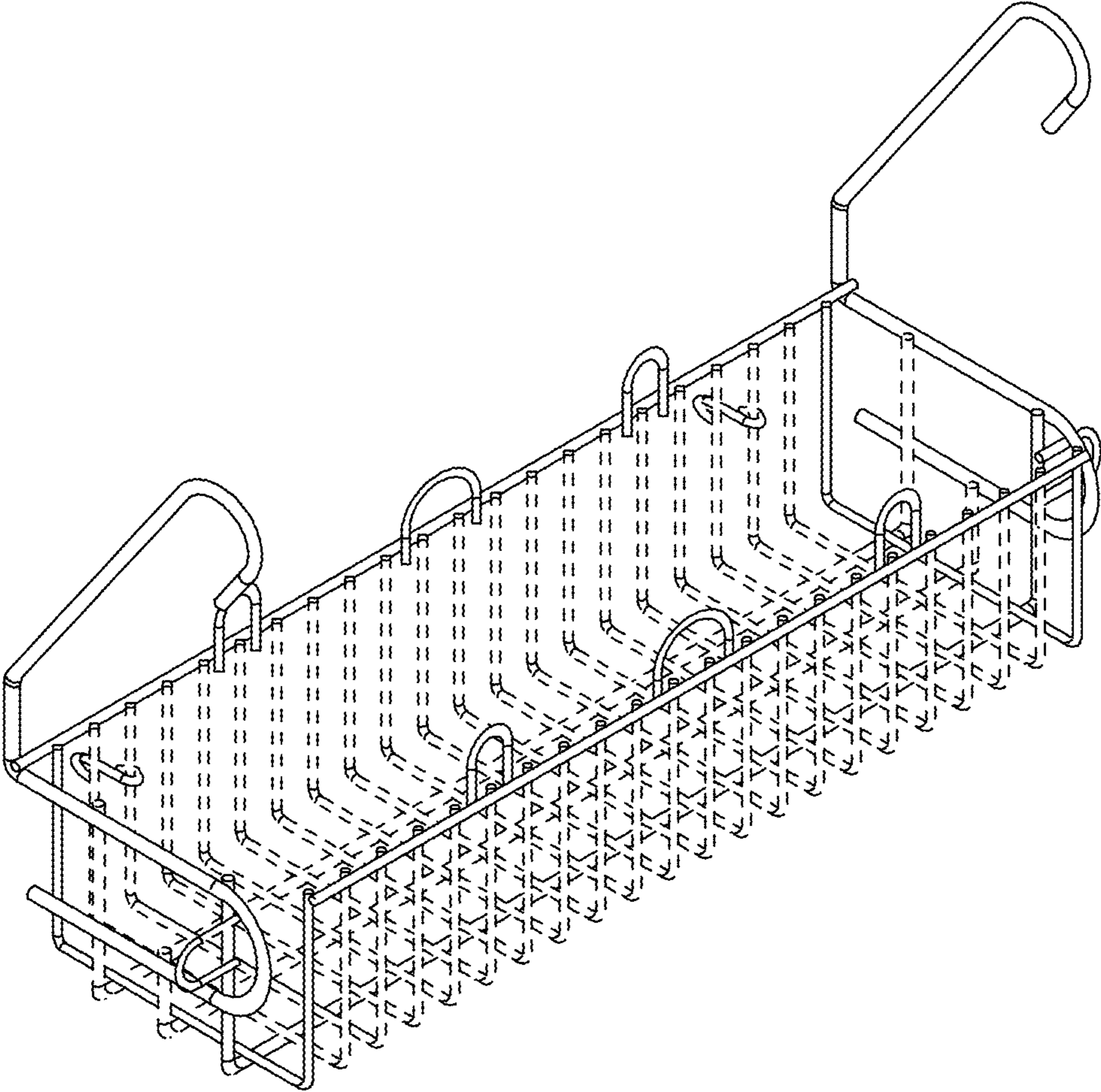


FIG. 1

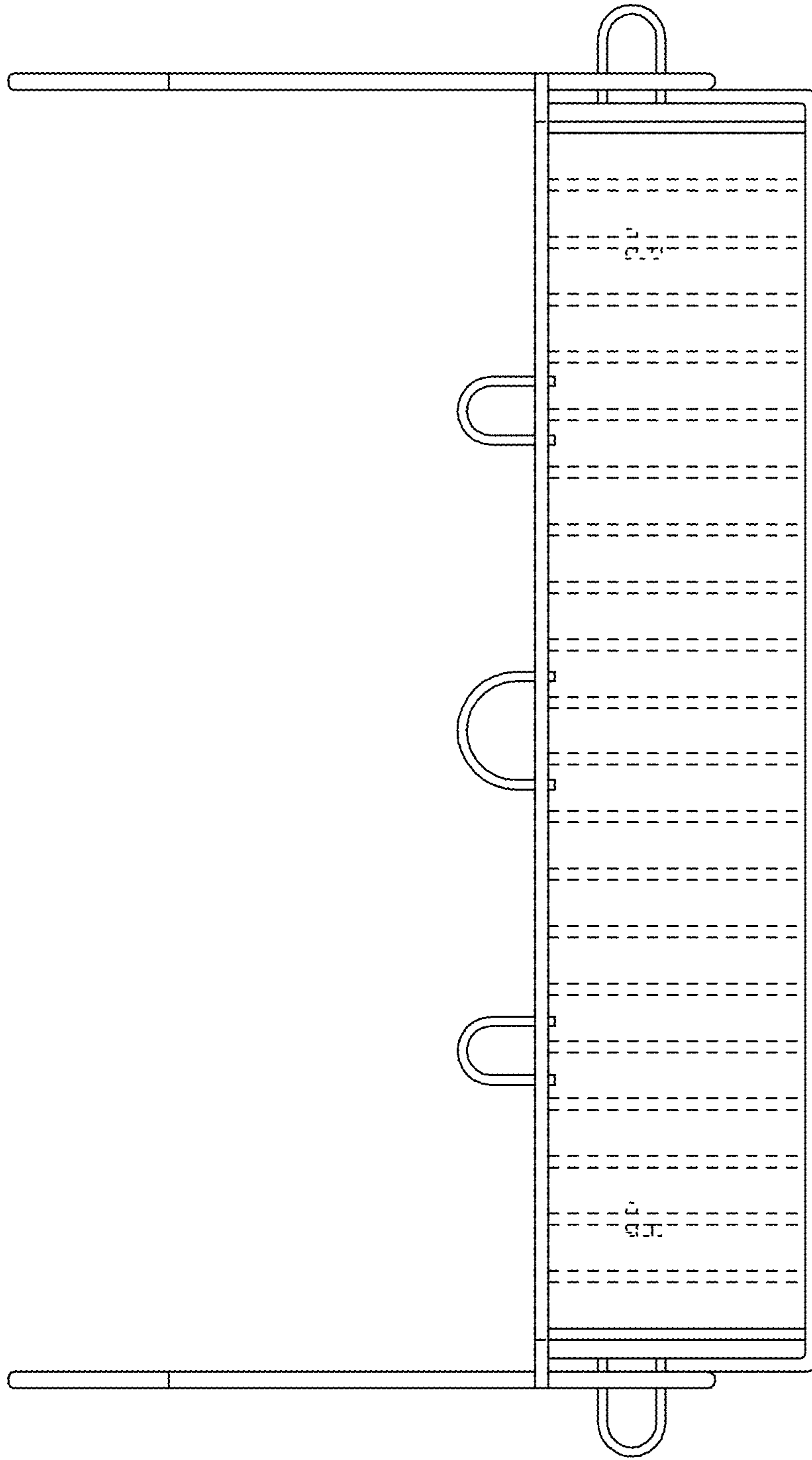


FIG. 2

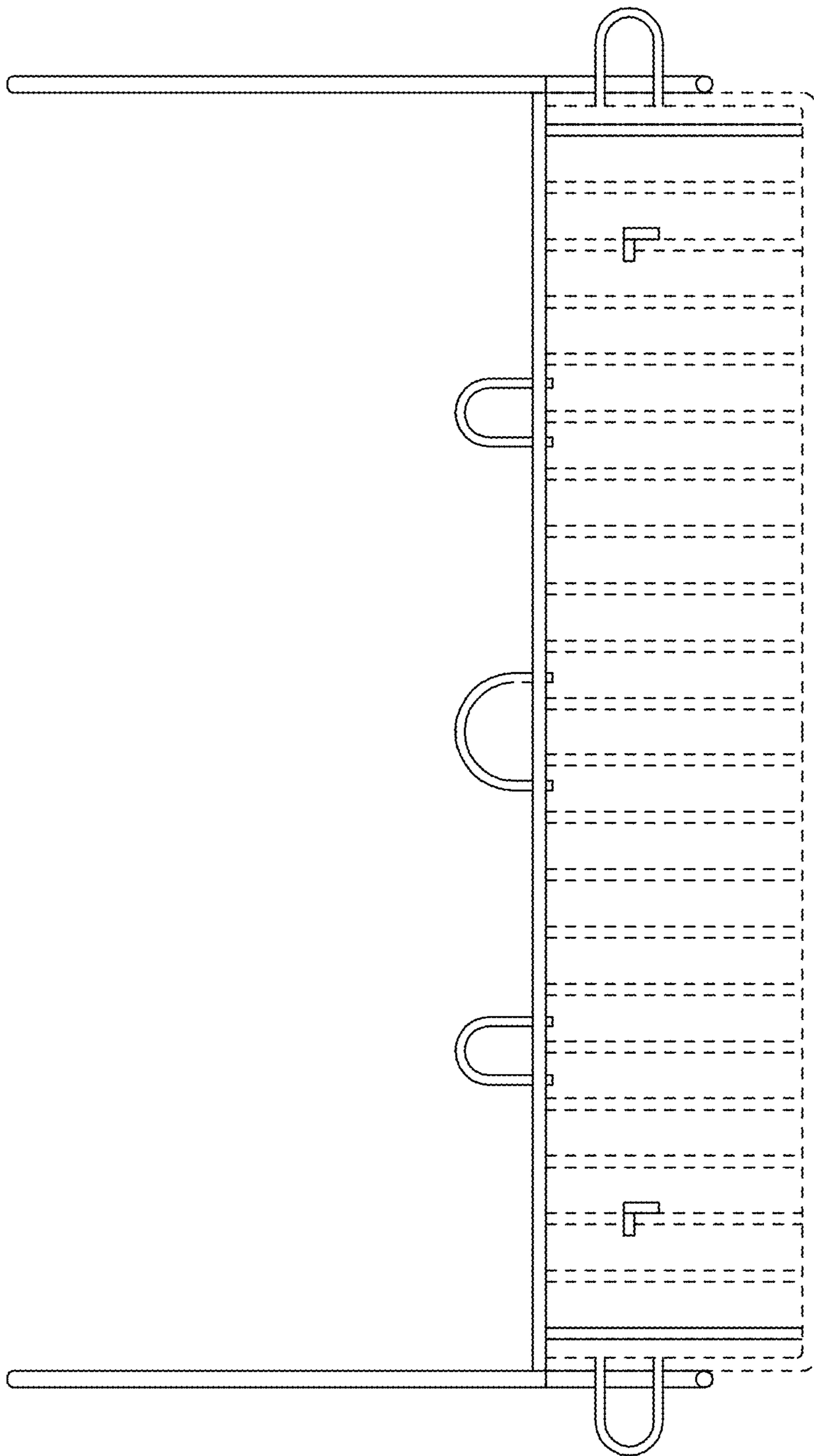


FIG. 3

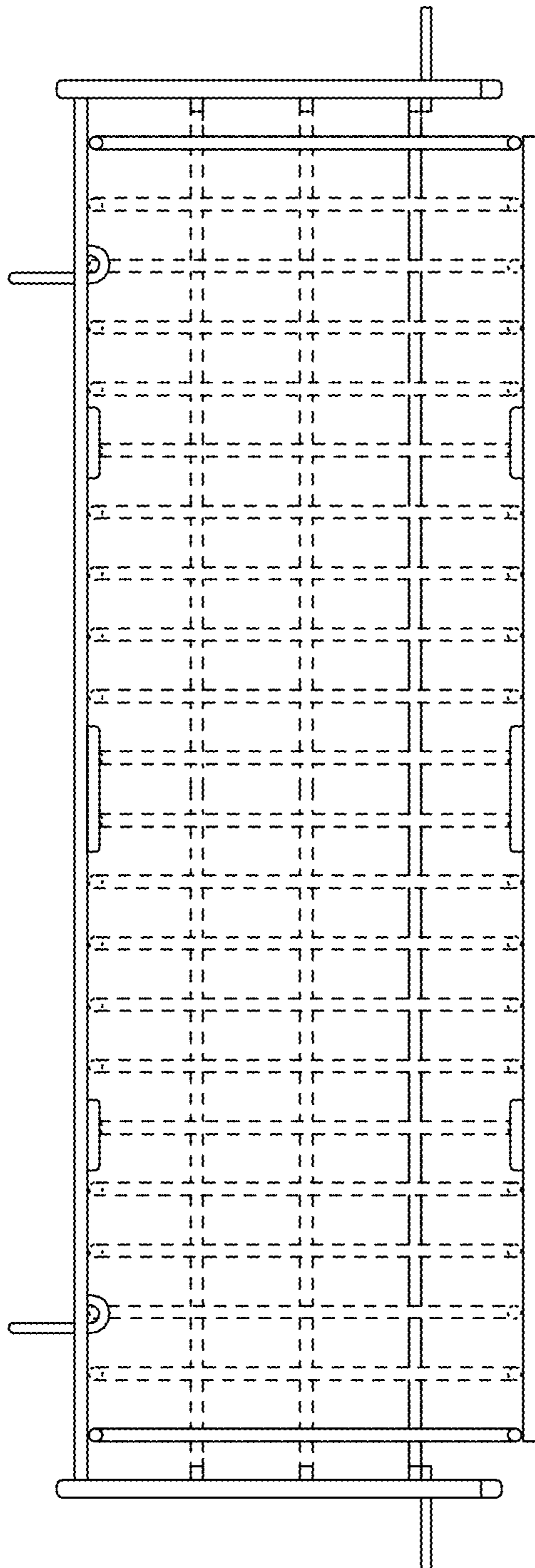


FIG. 4

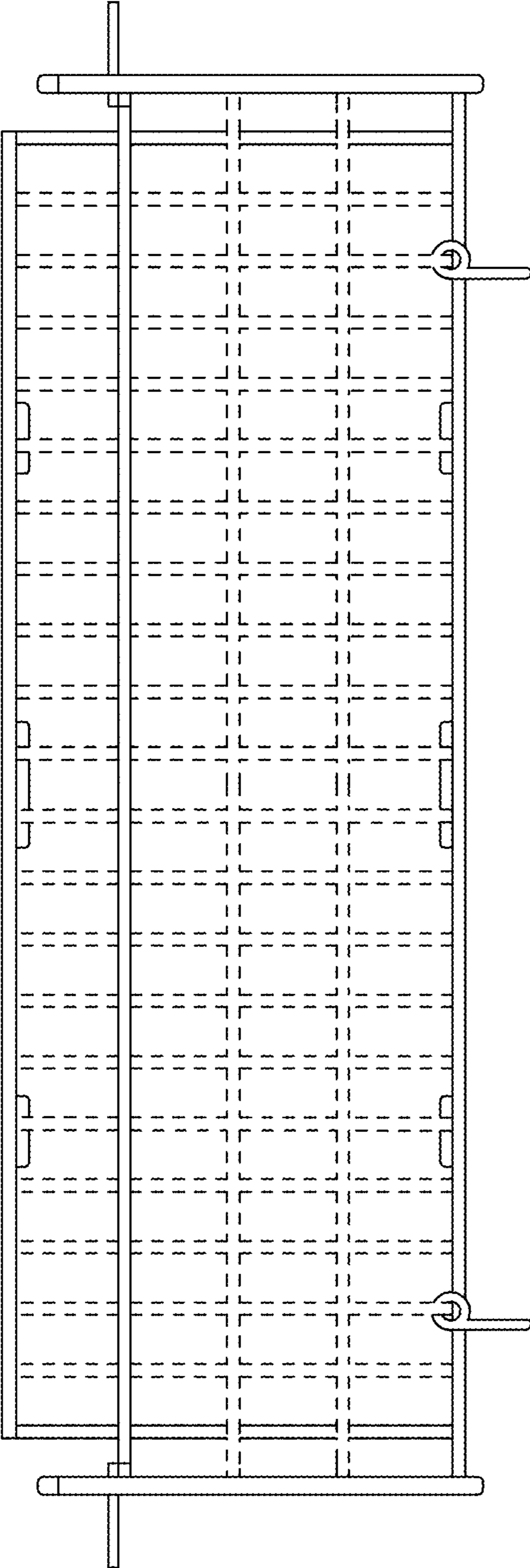


FIG. 5

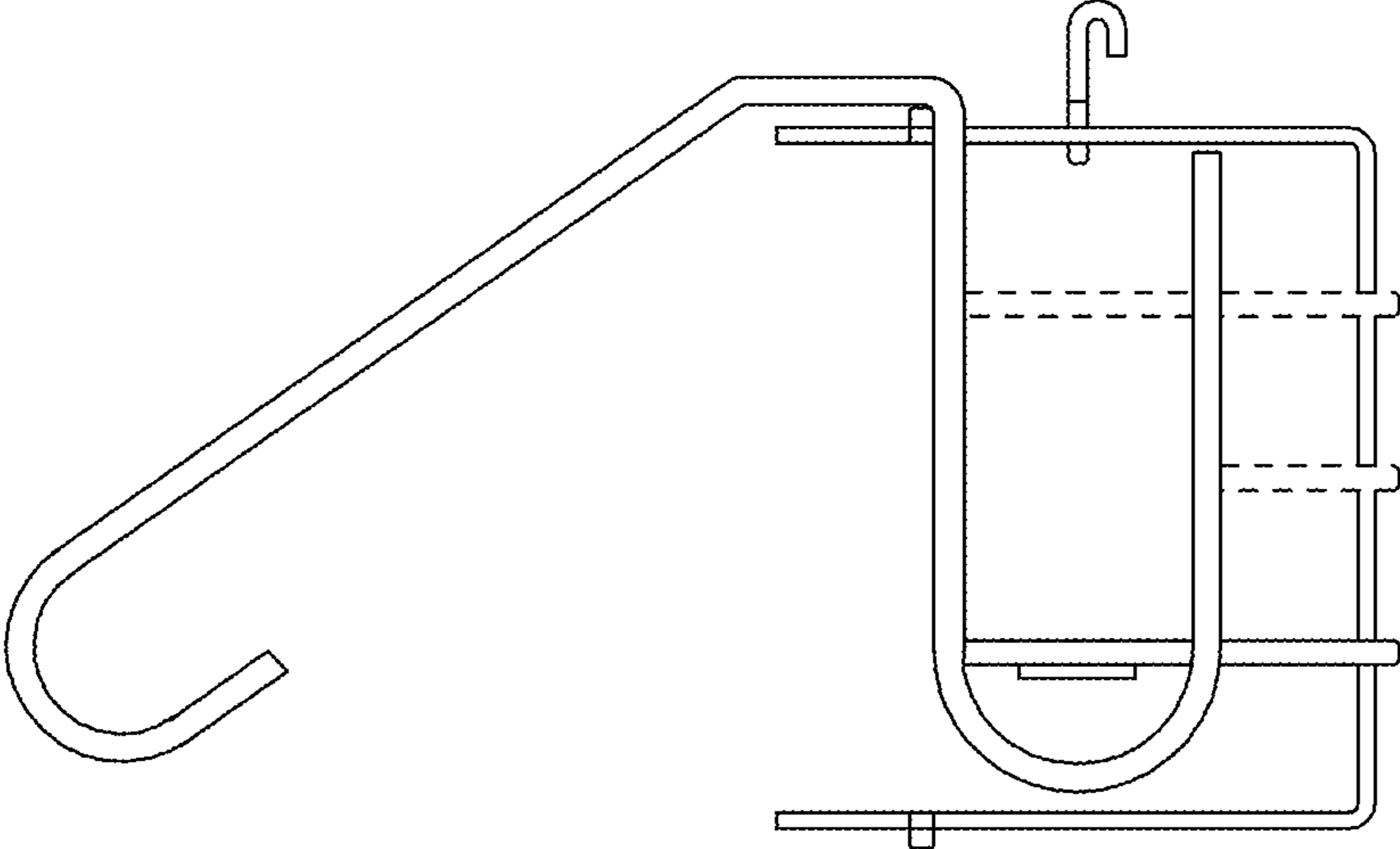


FIG. 6

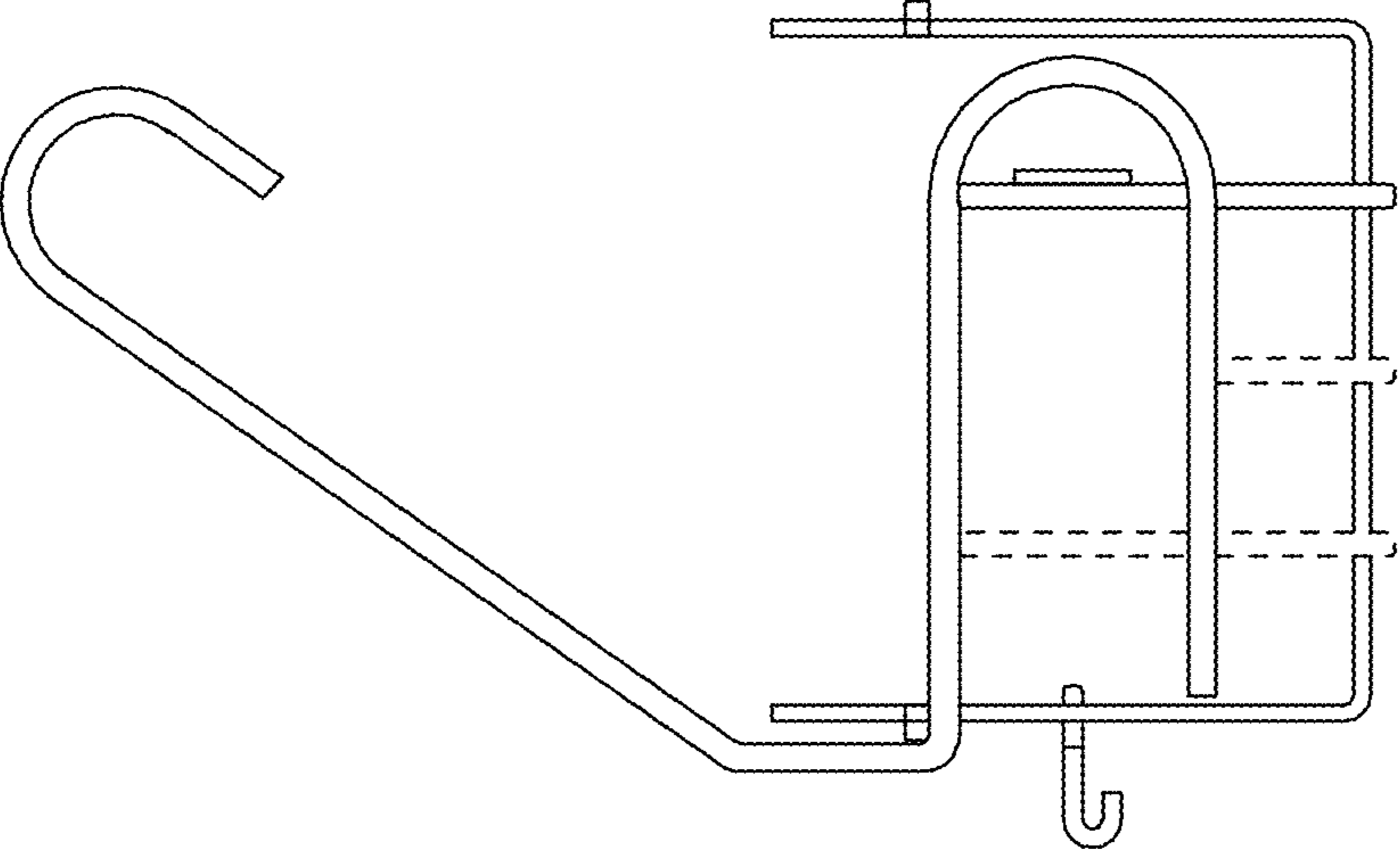


FIG. 7