



US00D796770S

(12) **United States Design Patent** (10) **Patent No.:** **US D796,770 S**
Miller (45) **Date of Patent:** **** Sep. 5, 2017**

- (54) **PORTABLE CARRIER** 5,340,135 A * 8/1994 Womberly B62B 1/10
 280/47.19
 (71) Applicant: **IDEAL WAREHOUSE** 6,003,894 A * 12/1999 Maher B62B 3/106
INNOVATIONS, INC., Vaughan (CA) 248/100
 6,135,466 A * 10/2000 Irwin B62B 1/12
 280/47.19
 (72) Inventor: **Sean Michael Miller,** Rockwood (CA) D451,256 S * 11/2001 Armanno, Sr. D34/12
 7,513,511 B2 * 4/2009 Chaseateau B62B 1/002
 280/43.1
 (73) Assignee: **Ideal Warehouse Innovations, Inc.,** D715,511 S * 10/2014 Okwumabua D34/12
 Vaughn (CA) D758,687 S * 6/2016 Shitrit D34/12
 (**) Term: **15 Years** 2011/0020099 A1 * 1/2011 Hollins B62B 1/14
 414/334
 (21) Appl. No.: **29/538,418** 2013/0147163 A1 * 6/2013 Chang B62B 1/12
 280/652

- (22) Filed: **Sep. 3, 2015**
 (51) **LOC (10) Cl.** **12-02**
 (52) **U.S. Cl.**
 USPC **D34/24**
 (58) **Field of Classification Search**
 USPC D34/12-27; 280/5.32, 47.12, 47.2,
 280/47.315, 40, 35, 38, 47.17, 47.18,
 280/47.24, 47.27, 47.29, 42, 63, 65
 CPC B62B 3/02; B62B 3/027; B62B 2205/003;
 B62B 1/12; B62B 1/208
 See application file for complete search history.

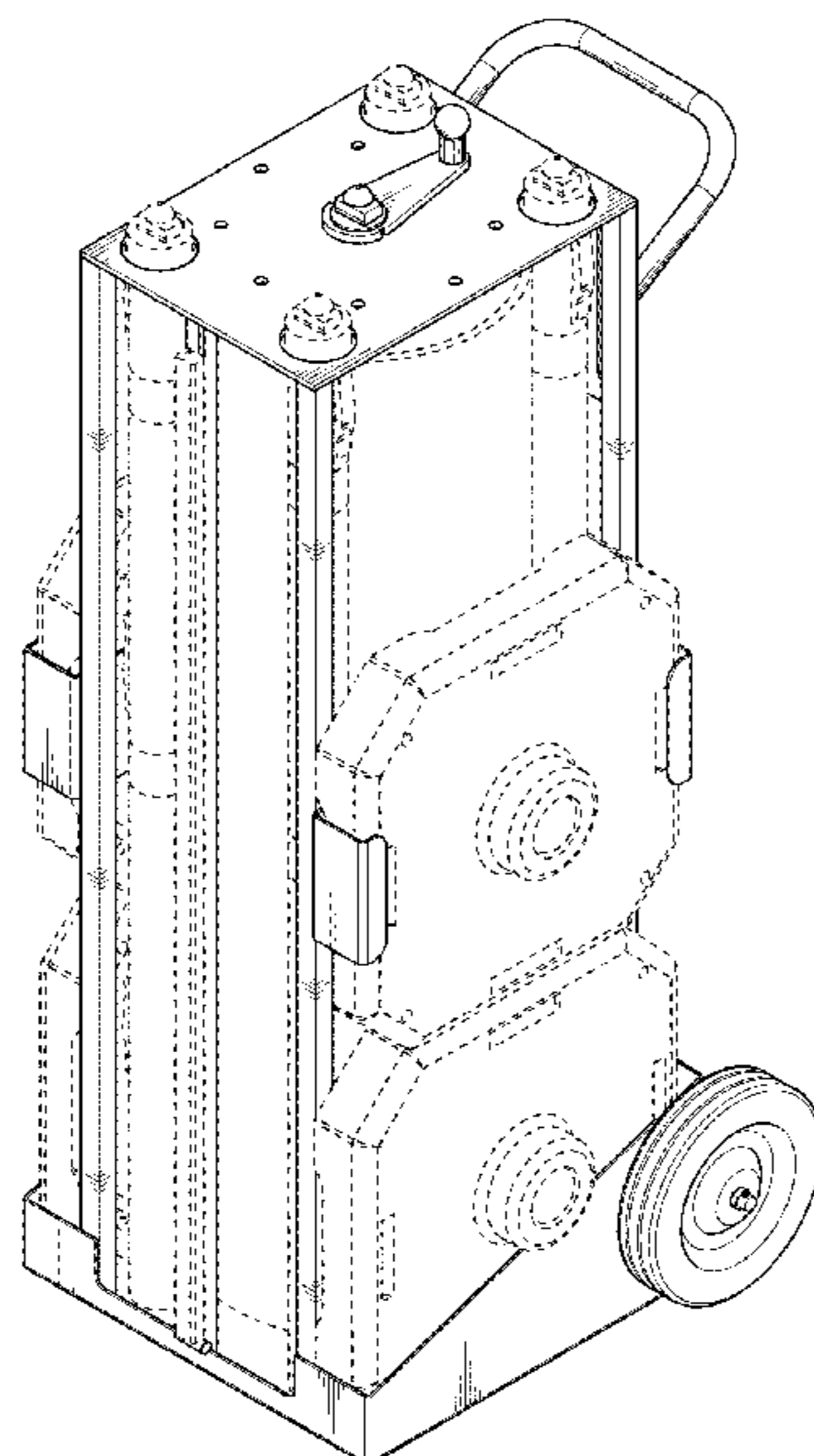
- (56) **References Cited**
 U.S. PATENT DOCUMENTS
 4,202,521 A * 5/1980 Harding B62B 1/266
 248/98
 4,452,468 A * 6/1984 Eads B62B 1/12
 248/98
 4,749,209 A * 6/1988 Edmonds A01K 97/22
 280/30
 4,793,628 A * 12/1988 Haley, Sr. B62B 3/02
 248/98
 4,961,593 A * 10/1990 Sanders B62B 1/045
 280/40
 5,123,666 A * 6/1992 Moore B62B 1/14
 280/47.18

* cited by examiner
 Primary Examiner — Cynthia Ramirez
 (74) Attorney, Agent, or Firm — Troutman Sanders LLP

(57) **CLAIM**
 I claim the ornamental design for a portable carrier, as shown and described.

DESCRIPTION
 FIG. 1 is a right perspective view showing a portable carrier showing my new design;
 FIG. 2 is another right perspective view thereof;
 FIG. 3 is a front elevation view thereof;
 FIG. 4 is a rear elevation view thereof;
 FIG. 5 is a left side view thereof;
 FIG. 6 is a right side view thereof;
 FIG. 7 is a top plan view thereof; and,
 FIG. 8 is a bottom plan view thereof.
 The broken lines shown in FIG. 1 are included for the purpose of illustrating environment and form no part of the claimed design.

1 Claim, 7 Drawing Sheets



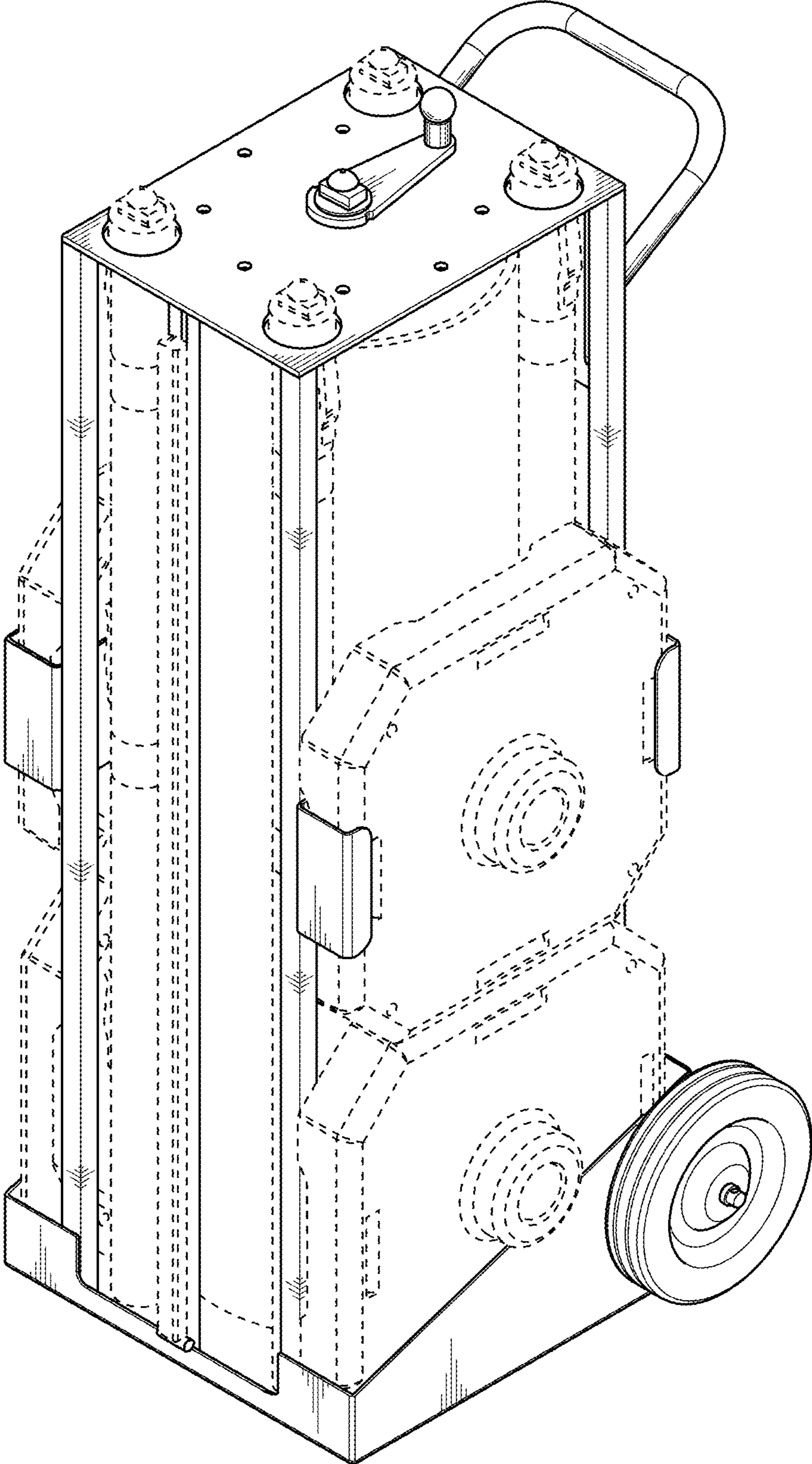


FIG. 1

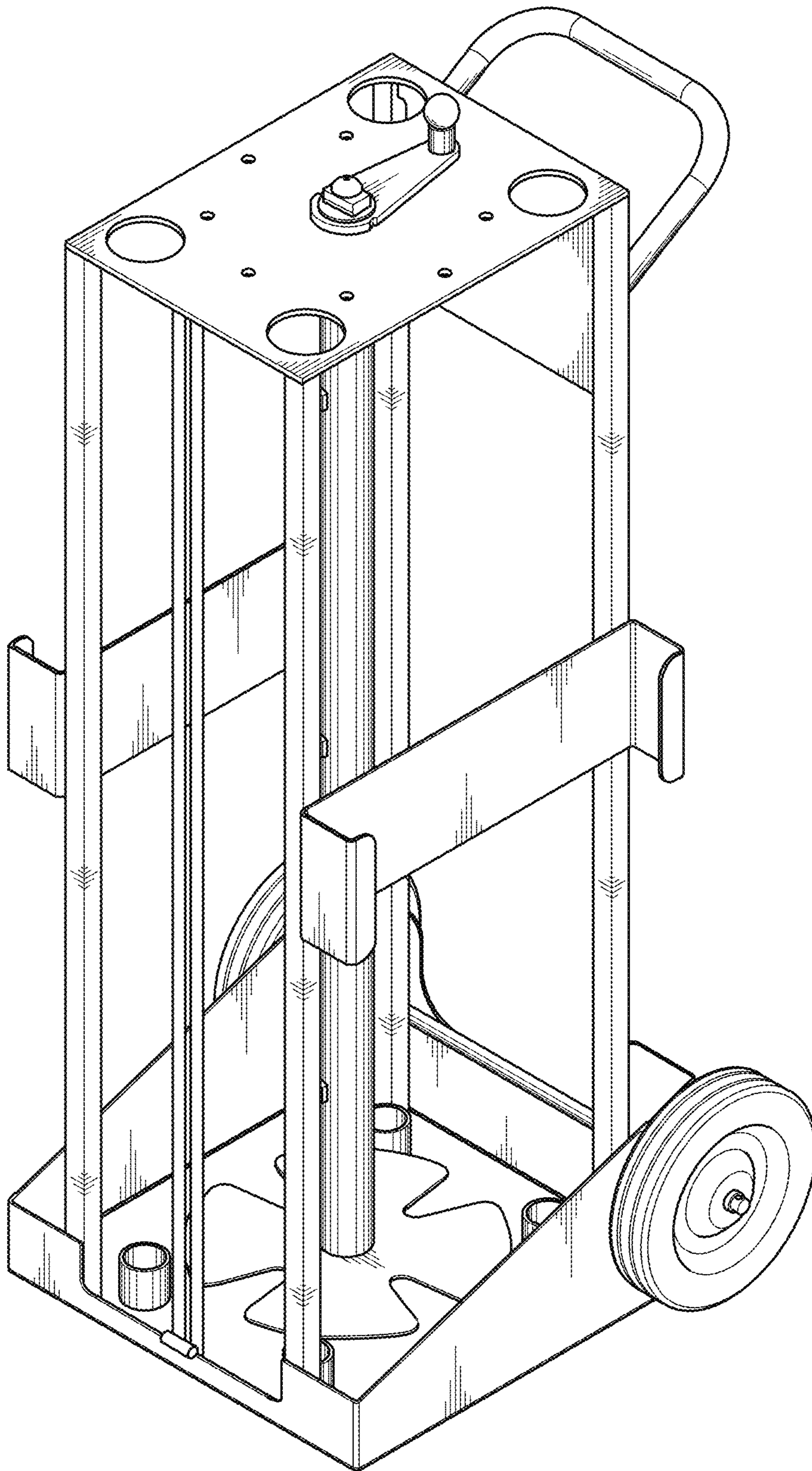


FIG. 2

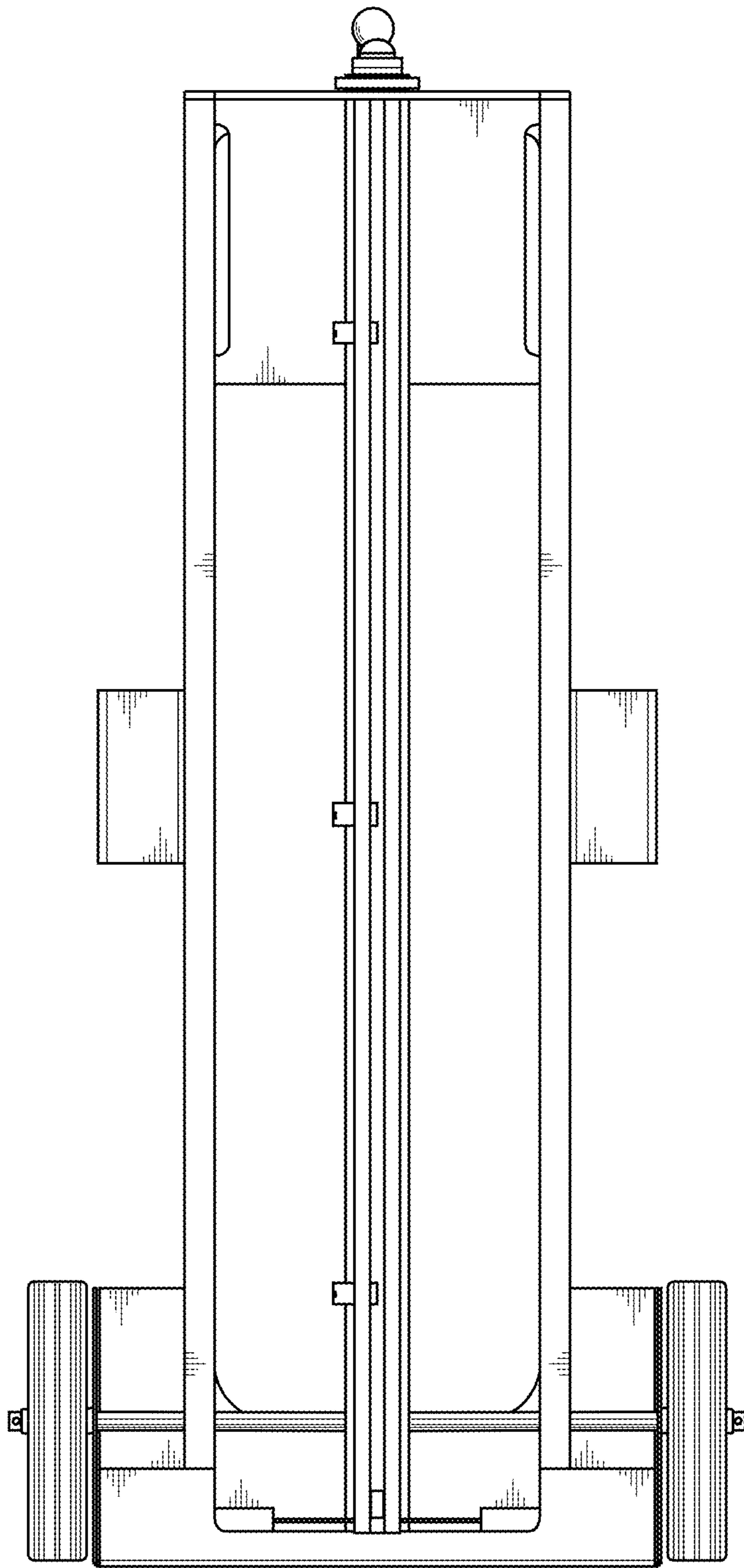


FIG. 3

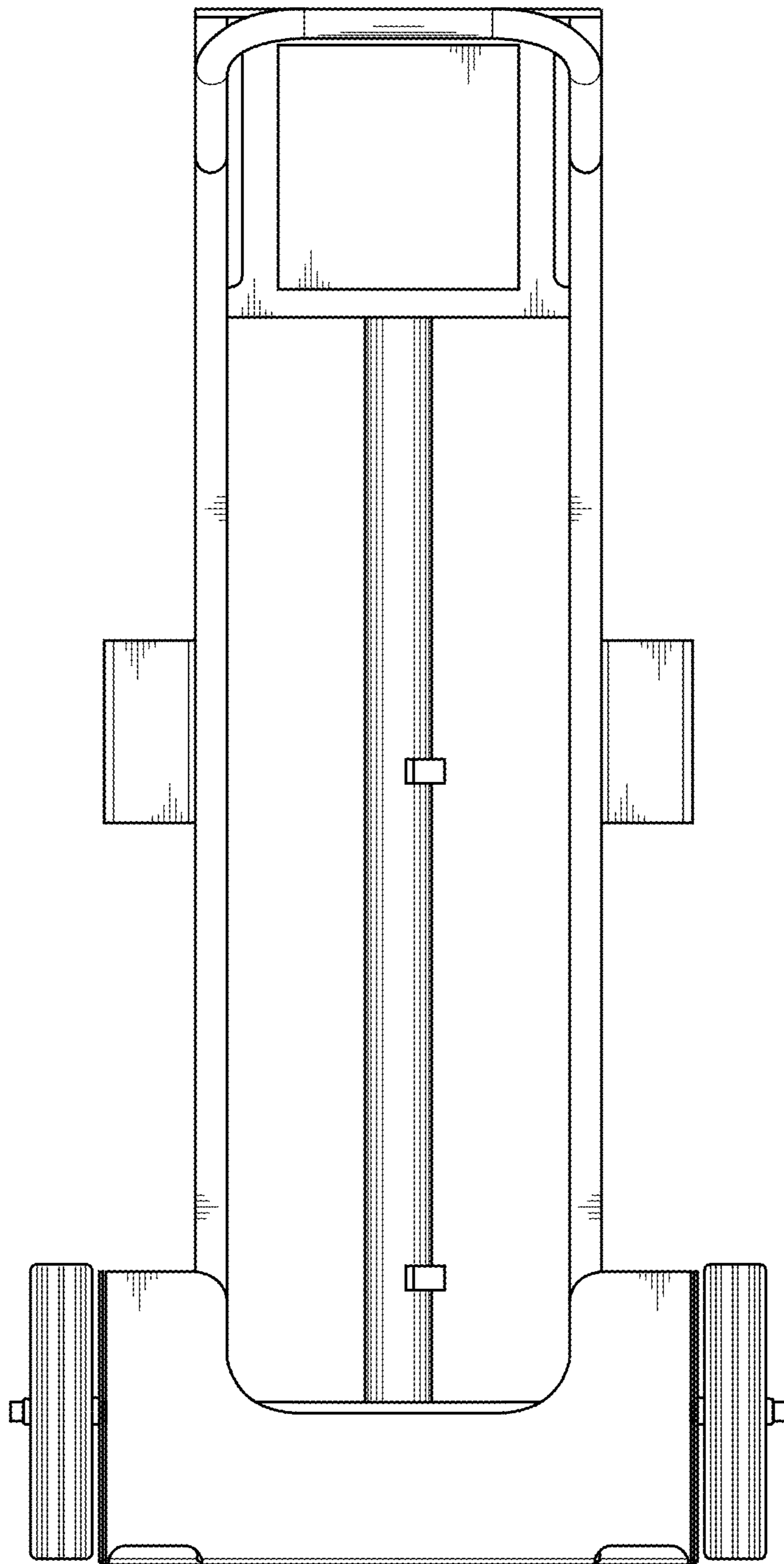


FIG. 4

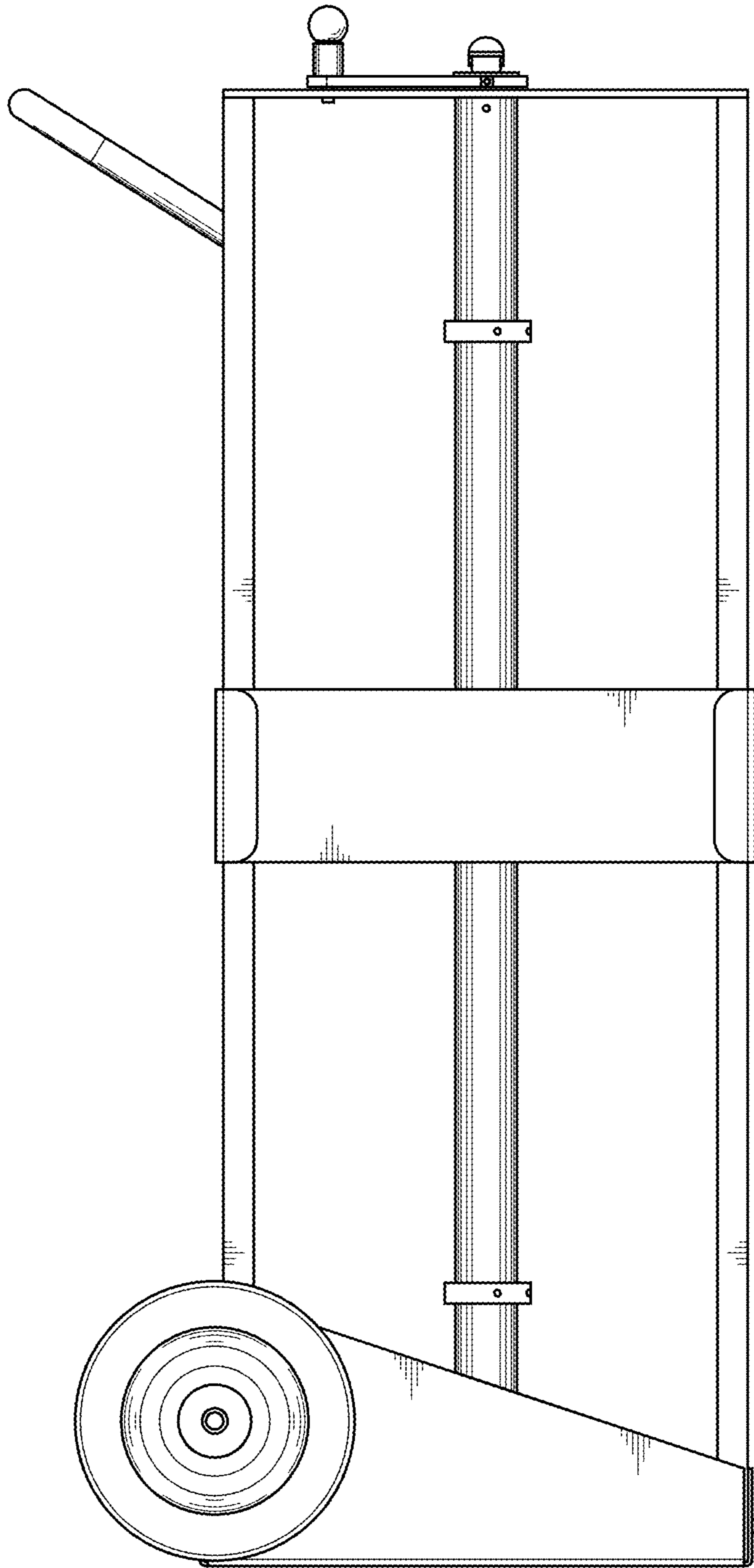


FIG. 5

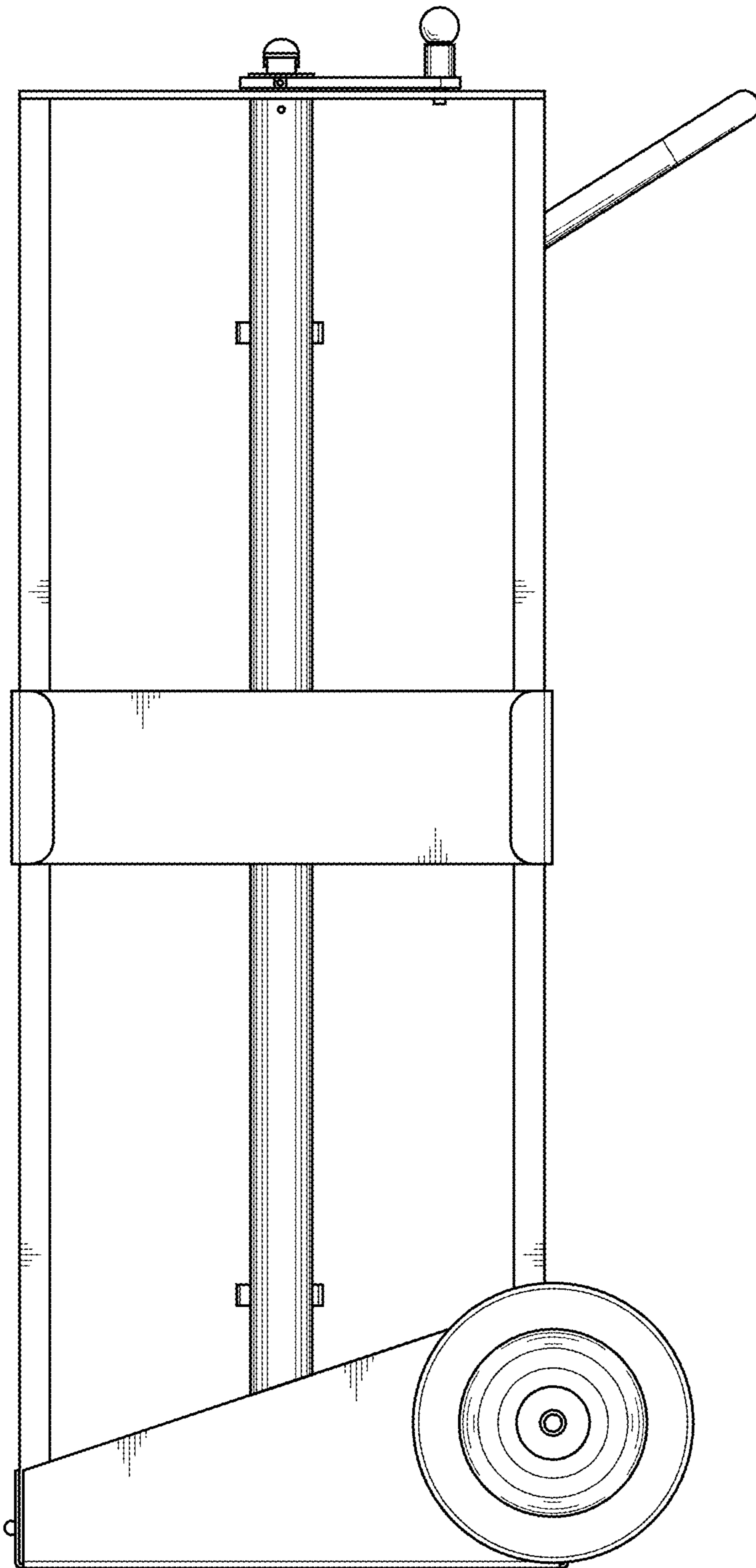


FIG. 6

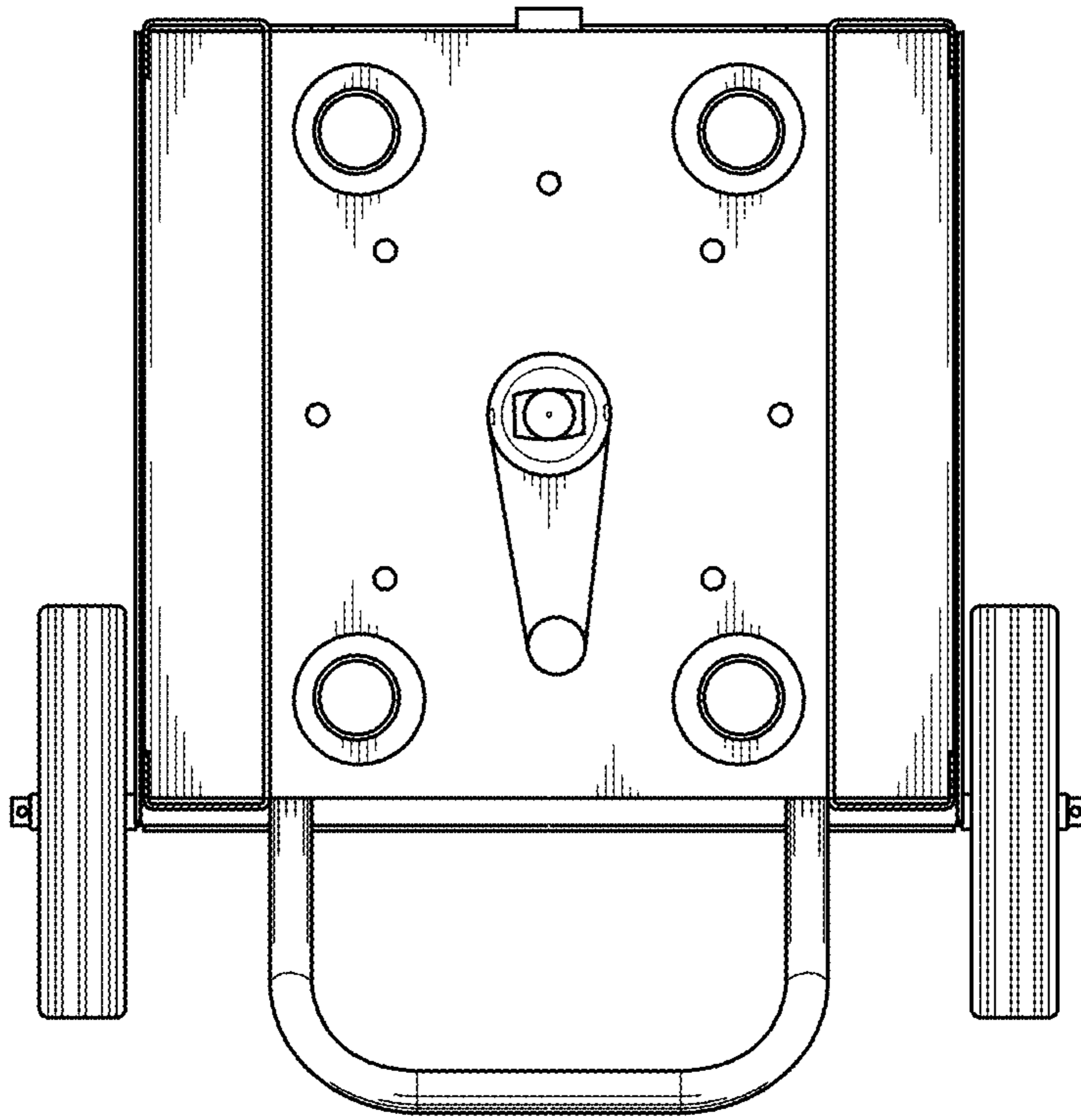


FIG. 7

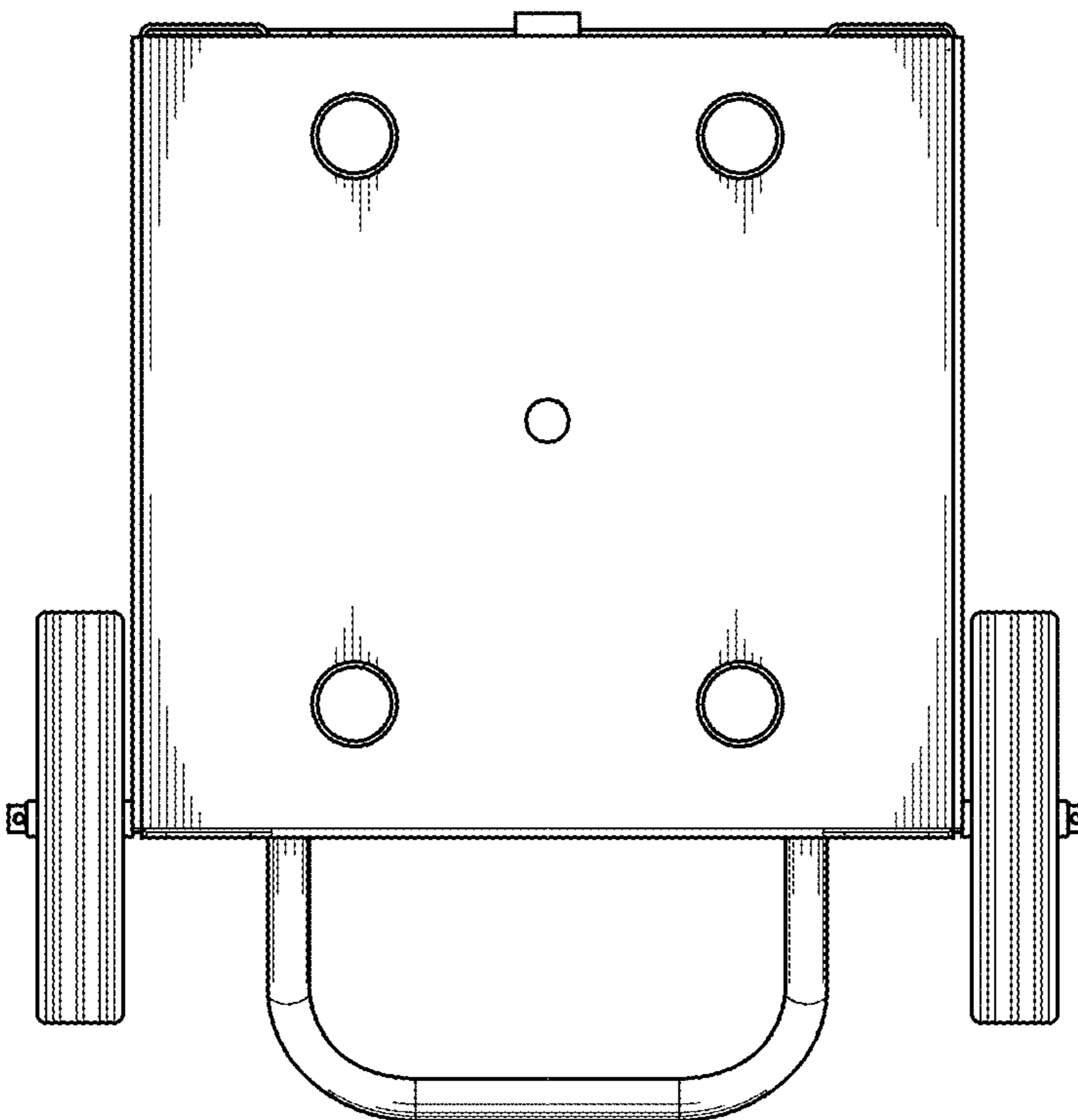


FIG. 8

UNITED STATES PATENT AND TRADEMARK OFFICE
CERTIFICATE OF CORRECTION

PATENT NO. : D796,770 S
APPLICATION NO. : 29/538418
DATED : September 5, 2017
INVENTOR(S) : Sean Michael Miller

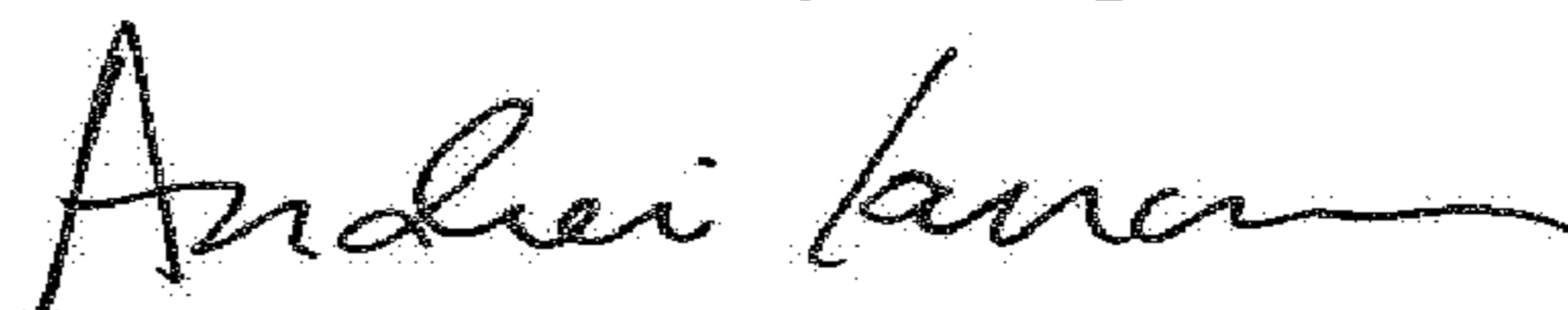
Page 1 of 1

It is certified that error appears in the above-identified patent and that said Letters Patent is hereby corrected as shown below:

On the Title Page

Under (30) Foreign Application Priority Data, add omitted priority as --Mar. 03, 2015
(CA) 161365--

Signed and Sealed this
Seventeenth Day of April, 2018



Andrei Iancu
Director of the United States Patent and Trademark Office