

US00D796767S

(12) **United States Design Patent** (10) **Patent No.:** **US D796,767 S**
Chen (45) **Date of Patent:** **** Sep. 5, 2017**

(54) **SENSOR BIN** D571,520 S 6/2008 Lin
7,559,433 B2 * 7/2009 Yang B65F 1/08
220/262

(71) Applicant: **EKO DEVELOPMENT LTD.,** D644,390 S 8/2011 Smeets et al.
Guangzhou (CN) D644,806 S 9/2011 Yang et al.
8,074,833 B2 * 12/2011 Yang B65F 1/08
220/262

(72) Inventor: **Yizhi Chen,** Guangzhou (CN) D657,108 S 4/2012 Yang et al.
D657,109 S 4/2012 Liao
D675,802 S 2/2013 Yang et al.
D720,513 S 12/2014 Yang et al.
D759,934 S 6/2016 Yang et al.
D787,828 S * 5/2017 Thoma D3/307

(73) Assignee: **EKO Development Limited,** 2003/0201267 A1 * 10/2003 Yang B65F 1/163
Guangzhou (CN) 2005/0230397 A1 * 10/2005 Yang B65F 1/08
220/264

(**) Term: **15 Years**

(21) Appl. No.: **29/541,474**

(22) Filed: **Oct. 5, 2015**

(Continued)

(30) **Foreign Application Priority Data**
Aug. 19, 2015 (CN) 2015 3 0312255

(51) **LOC (10) Cl.** **09-09**

(52) **U.S. Cl.**
USPC **D34/9**

(58) **Field of Classification Search**
USPC D34/1, 5, 6-9; 220/908, 263, 212,
220/495.11, 264, 756, 832, 836, 831, 262,
220/87.2, 23.4, 909
CPC Y10S 220/908; B65F 1/163; B65F
2001/1669; B65F 1/1638; B65F 1/08
See application file for complete search history.

Primary Examiner — Thomas Johannes
Assistant Examiner — Gino Colan
(74) *Attorney, Agent, or Firm* — William Dippert;
Laurence Greenberg; Werner Stemer

(57) **CLAIM**

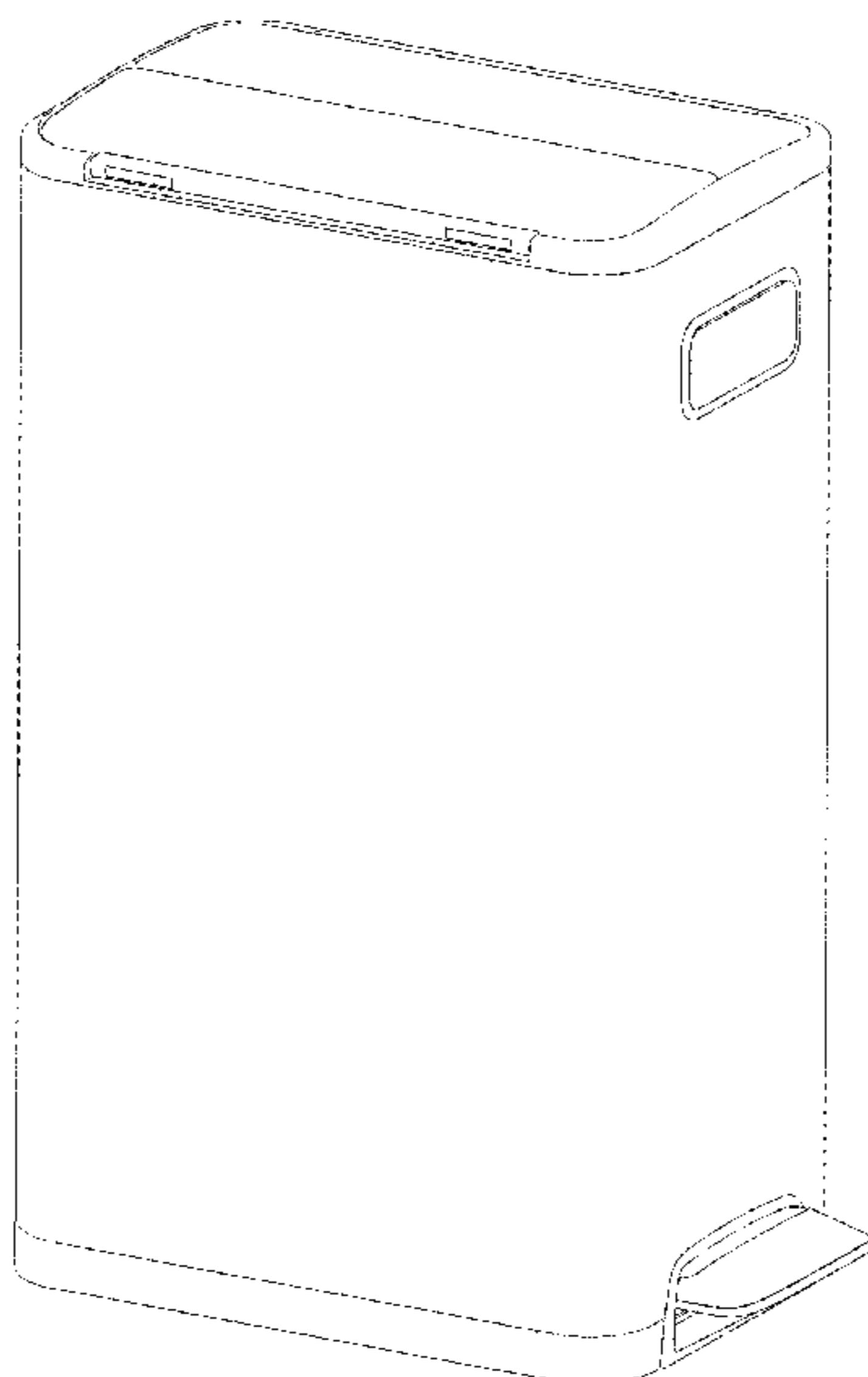
The ornamental design for a sensor bin, as shown and described.

DESCRIPTION

FIG. 1 is a front elevational view of a sensor bin showing my new design;
FIG. 2 is a rear elevational view thereof;
FIG. 3 is a left side view thereof;
FIG. 4 is a right side view thereof;
FIG. 5 is a top plan view thereof;
FIG. 6 is a bottom plan view thereof;
FIG. 7 is a perspective view thereof;
FIG. 8 is a second perspective view thereof;
FIG. 9 is a third perspective view thereof; and,
FIG. 10 is a perspective view thereof, in an open position.

(56) **References Cited**
U.S. PATENT DOCUMENTS
D335,562 S 5/1993 Evans
5,242,074 A 9/1993 Conaway et al.
6,345,725 B1 2/2002 Lin
D482,169 S 11/2003 Lin
D488,903 S * 4/2004 Yang D34/9
6,981,606 B2 * 1/2006 Yang B65F 1/163
220/23.87
D552,321 S 10/2007 Yang et al.

1 Claim, 9 Drawing Sheets



(56)

References Cited

U.S. PATENT DOCUMENTS

2007/0090112 A1* 4/2007 Kalman B65F 1/08
220/264
2007/0205195 A1* 9/2007 Yang B65F 1/08
220/264

* cited by examiner

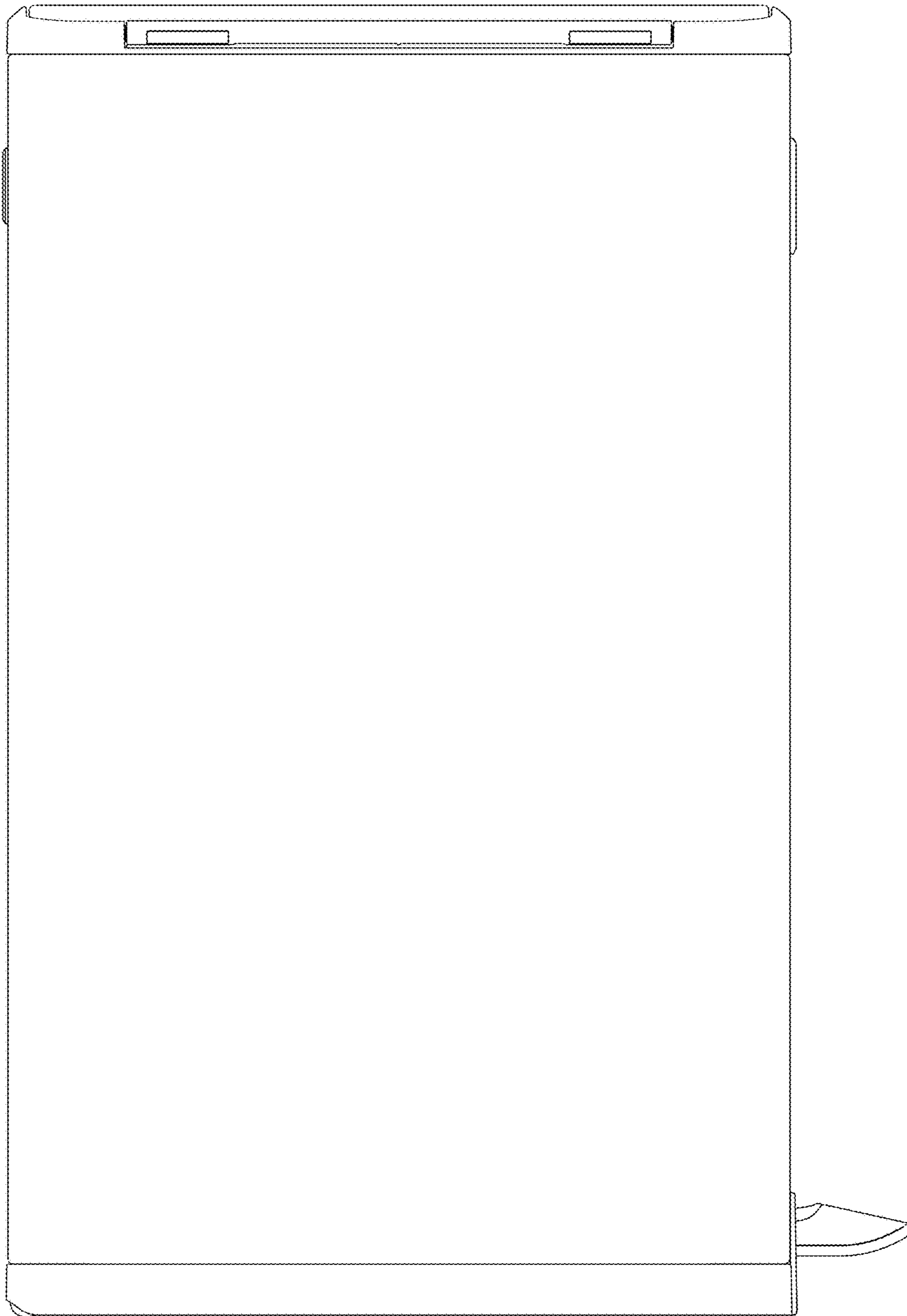


FIG. 1

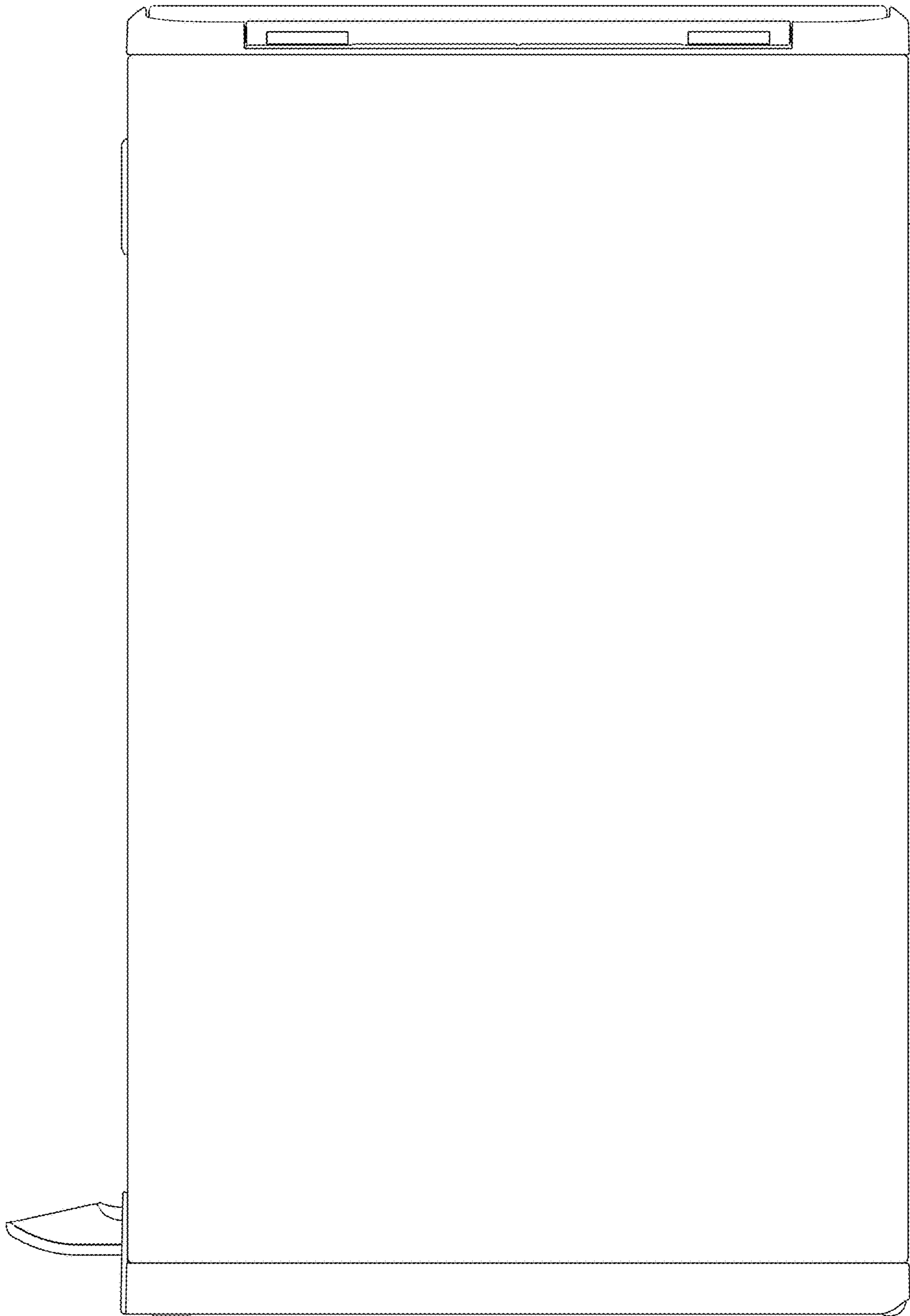


FIG. 2

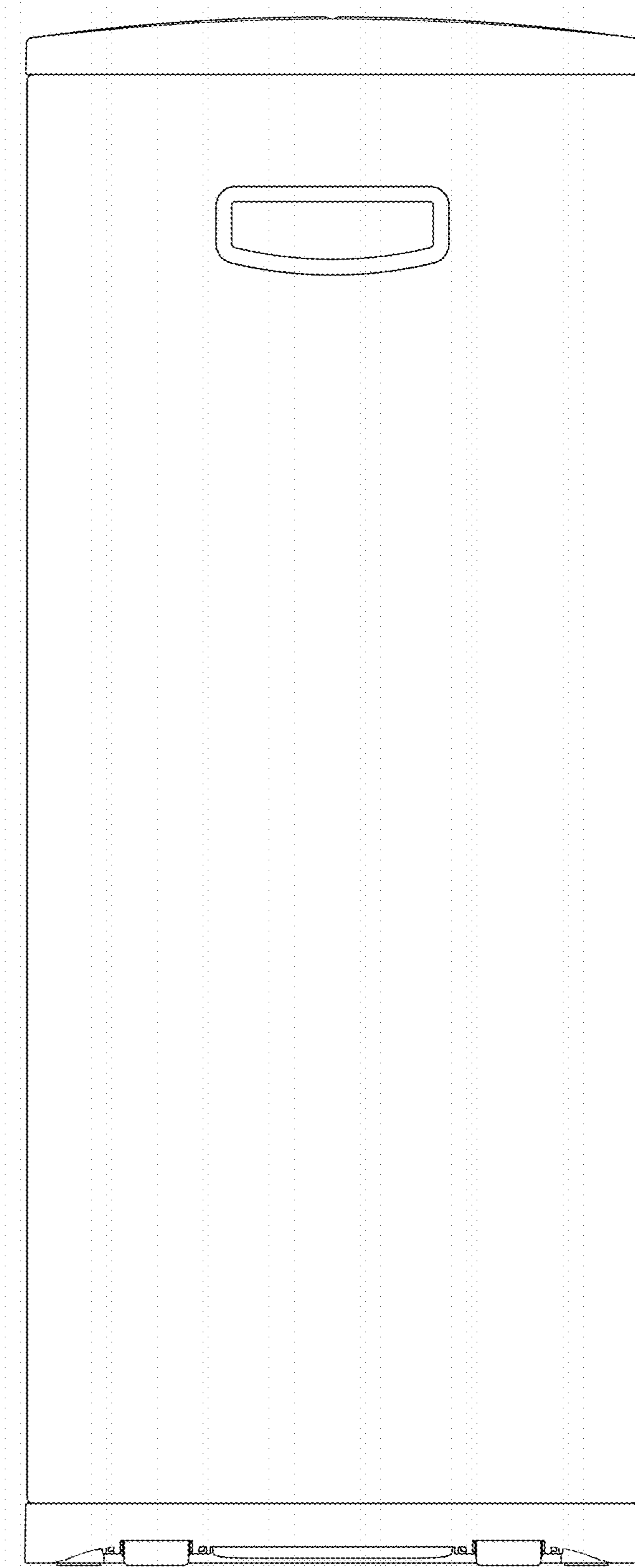


FIG. 3

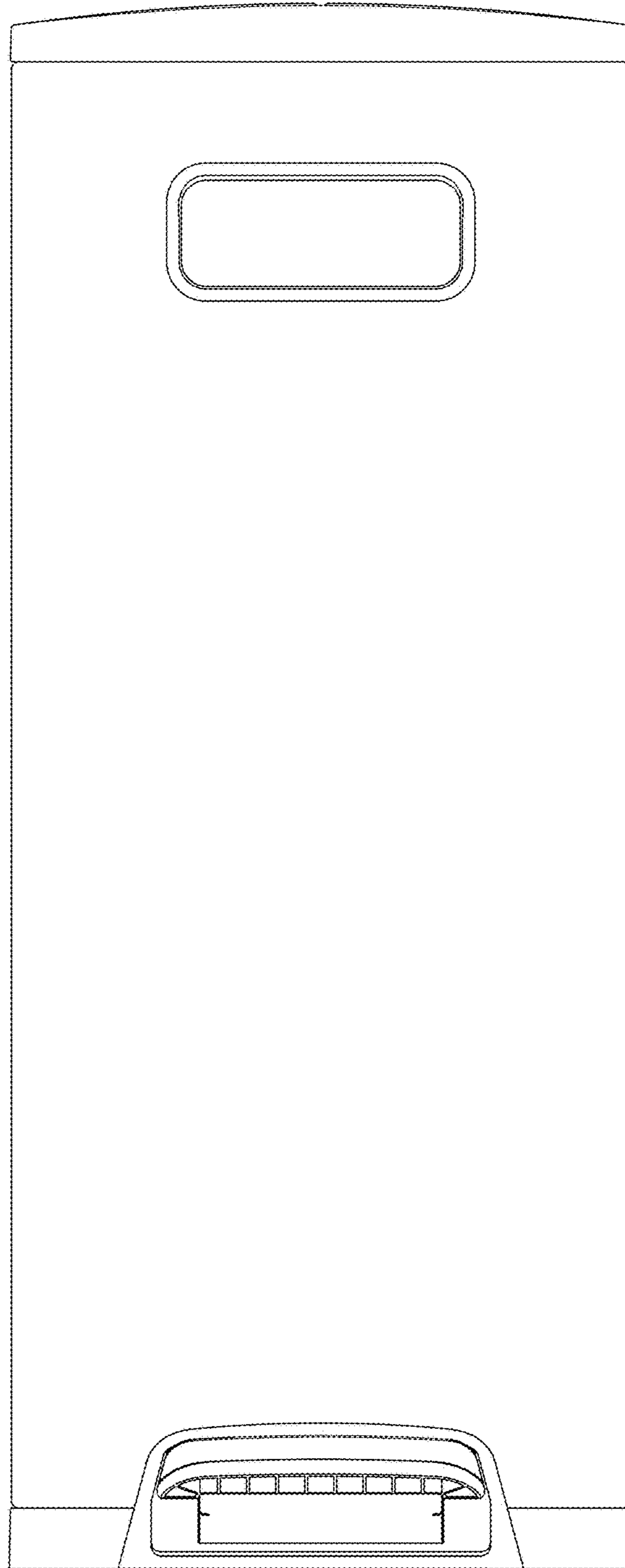


FIG. 4

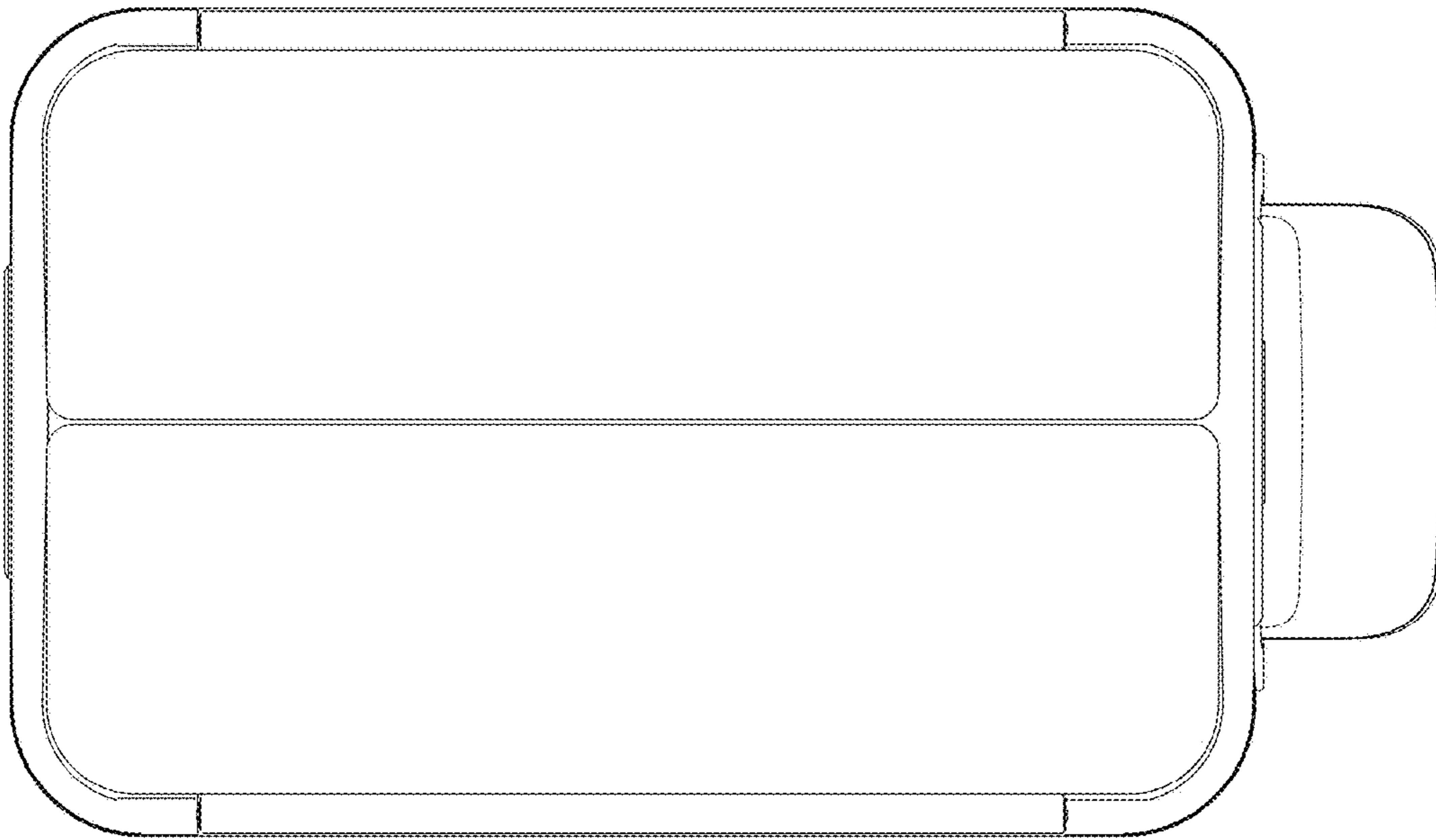


FIG. 5

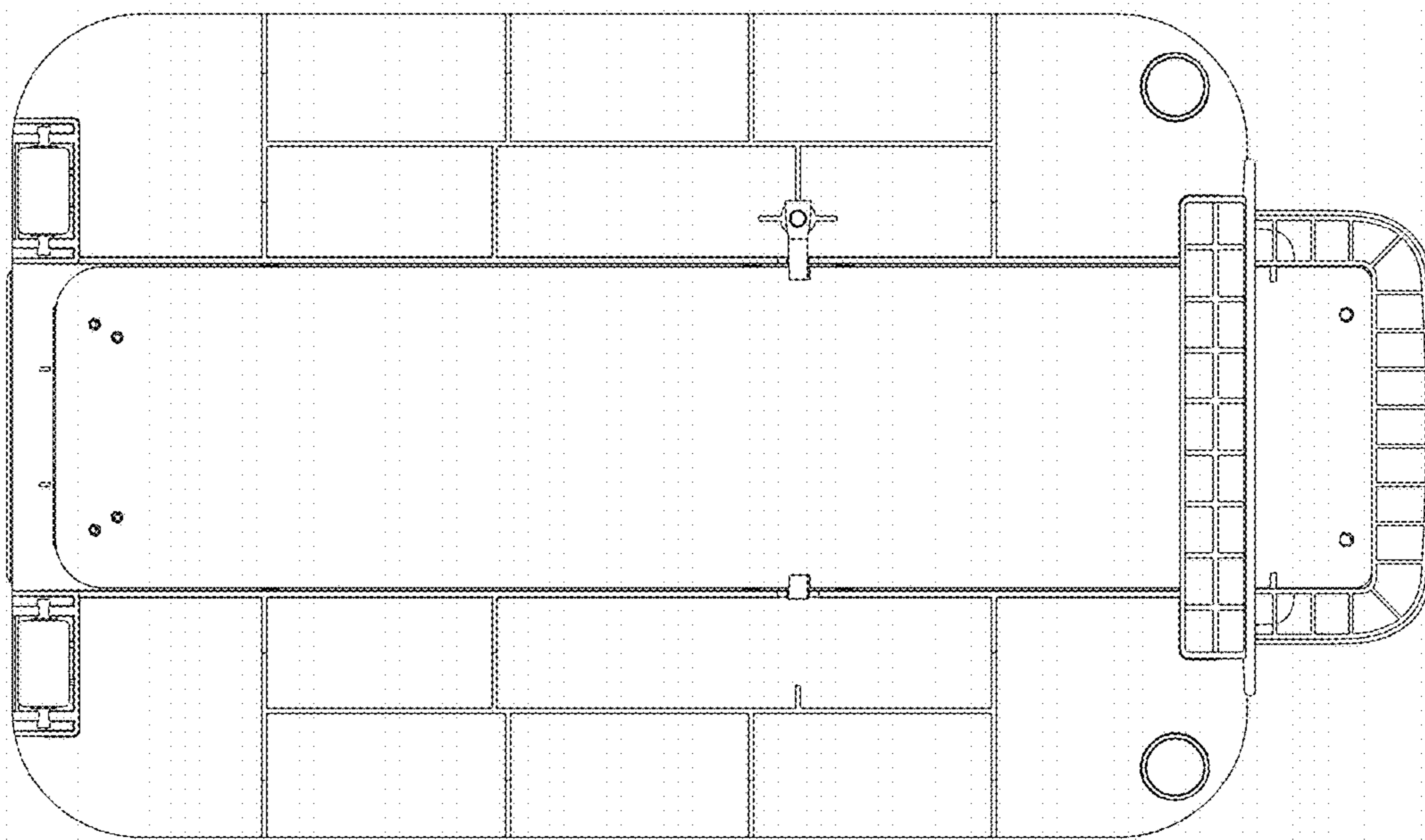


FIG. 6

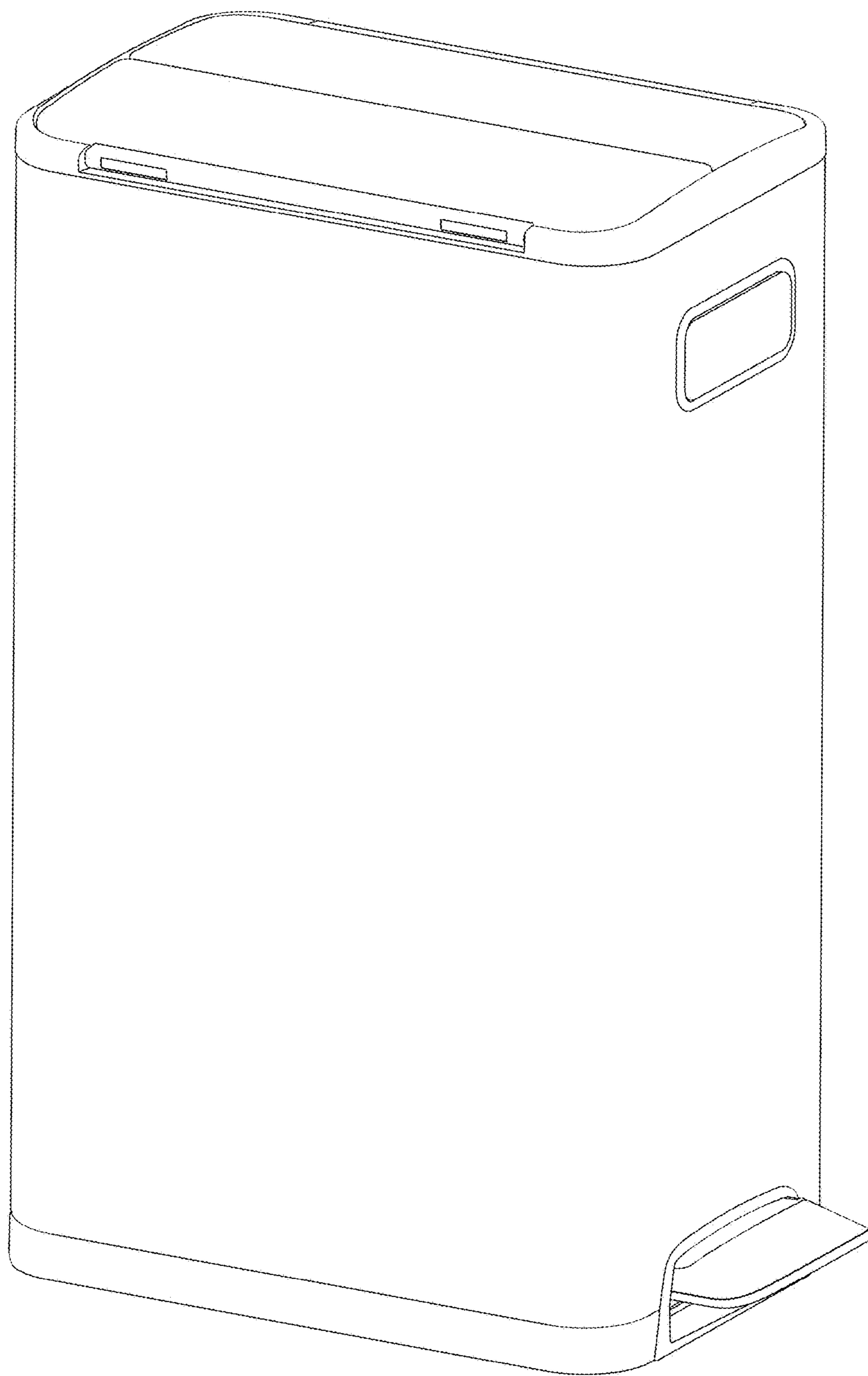


FIG. 7

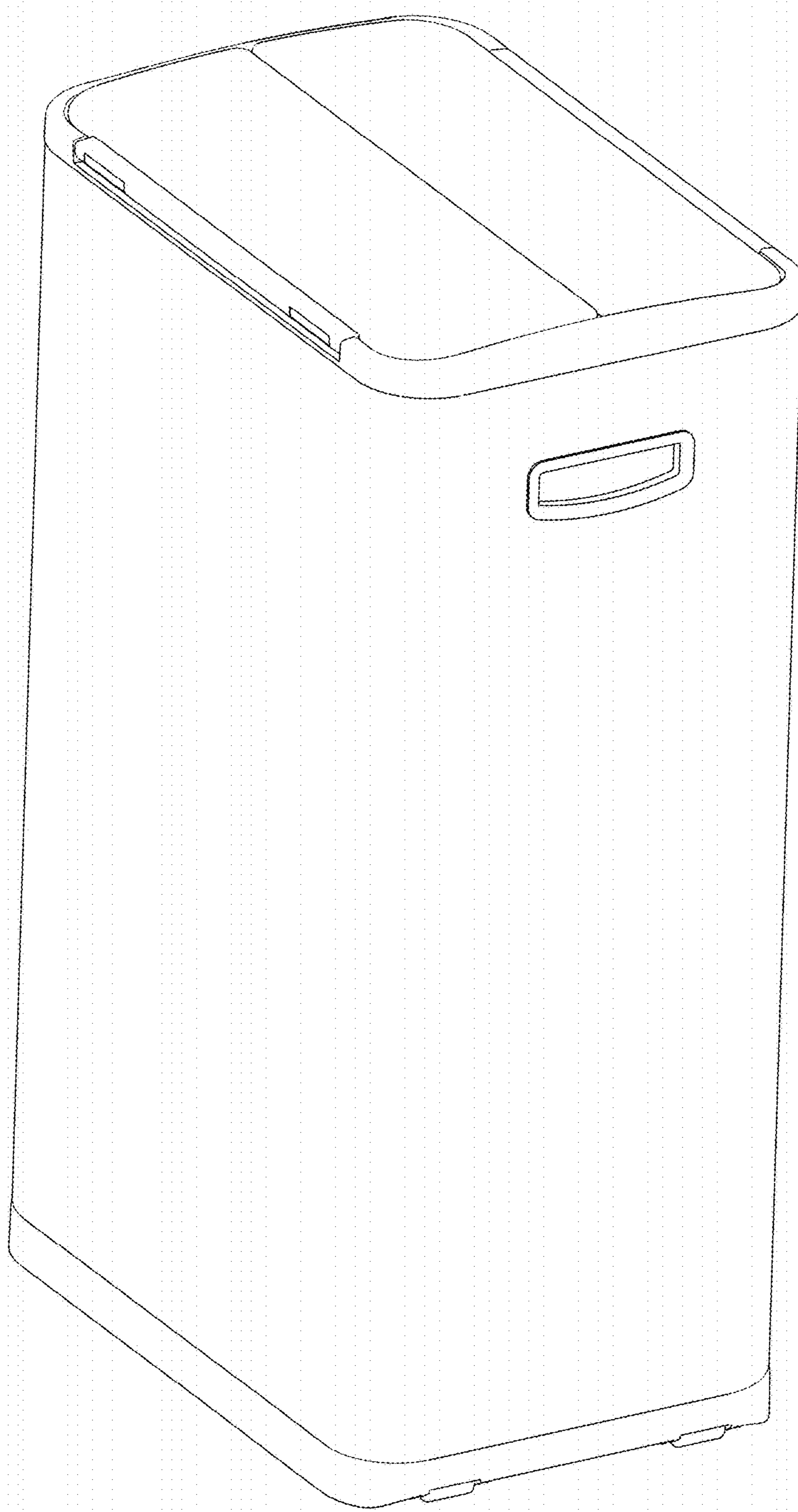


FIG. 8

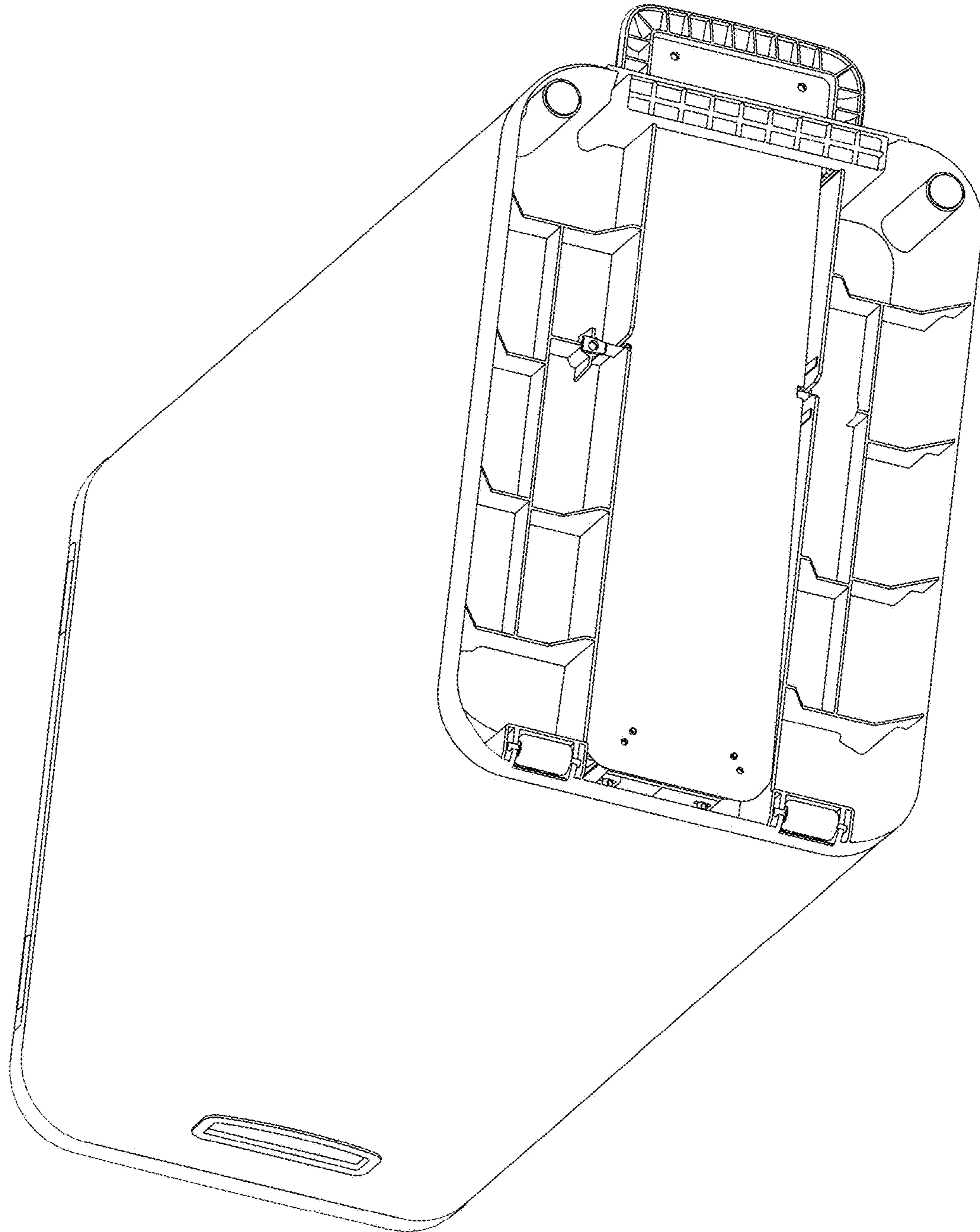


FIG. 9

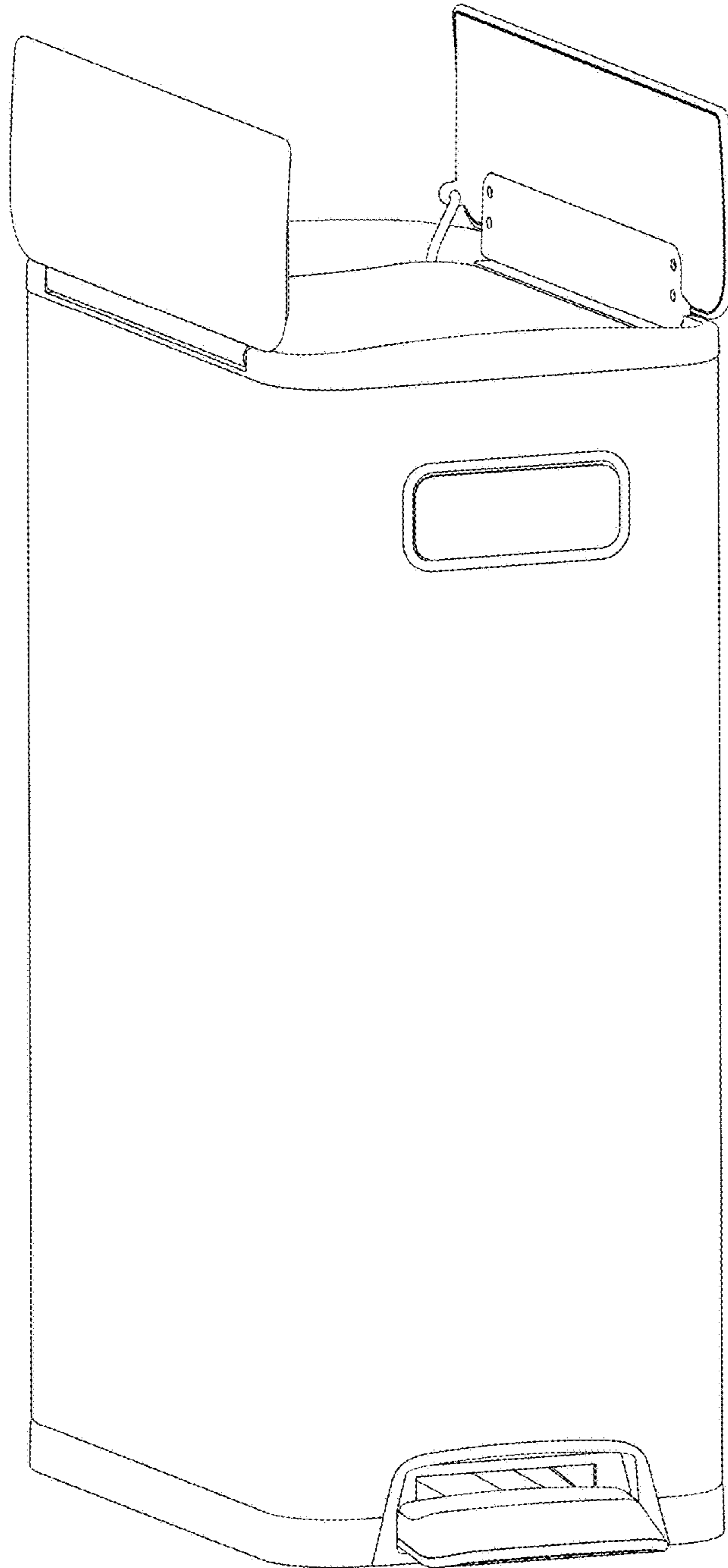


FIG. 10