



US00D796765S

(12) **United States Design Patent** (10) **Patent No.:** **US D796,765 S**  
**Uffner et al.** (45) **Date of Patent:** **\*\* Sep. 5, 2017**

- (54) **WHEELED TRASH CAN**
- (71) Applicant: **Suncast Technologies, LLC**, Palm Beach Gardens, FL (US)
- (72) Inventors: **Michael Uffner**, Naperville, IL (US); **Michael R. Vogler**, Oswego, IL (US)
- (73) Assignee: **Suncast Technologies, LLC**, Palm Beach Gardens, FL (US)
- (\*\*) Term: **15 Years**
- (21) Appl. No.: **29/553,468**
- (22) Filed: **Feb. 2, 2016**
- (51) **LOC (10) Cl.** ..... **09-09**
- (52) **U.S. Cl.**  
USPC ..... **D34/5**
- (58) **Field of Classification Search**  
USPC ..... D34/1-11; 220/908-913; 280/47.26  
CPC ..... B65F 1/06; B65F 1/1615; B65F 1/1607;  
B65F 1/062; B65F 1/08; B65F 1/163;  
B65F 1/16  
See application file for complete search history.

- D577,170 S \* 9/2008 Meers ..... D34/5
- D641,121 S \* 7/2011 Rampton ..... D34/1
- D771,893 S \* 11/2016 Del Rosario Roy ..... D34/5
- 2004/0074913 A1\* 4/2004 McDade ..... B65F 1/04  
220/23.87
- 2011/0049152 A1\* 3/2011 Raghunathan ..... B65F 1/1468  
220/263
- 2013/0048654 A1\* 2/2013 Kilduff ..... B65F 1/122  
220/694

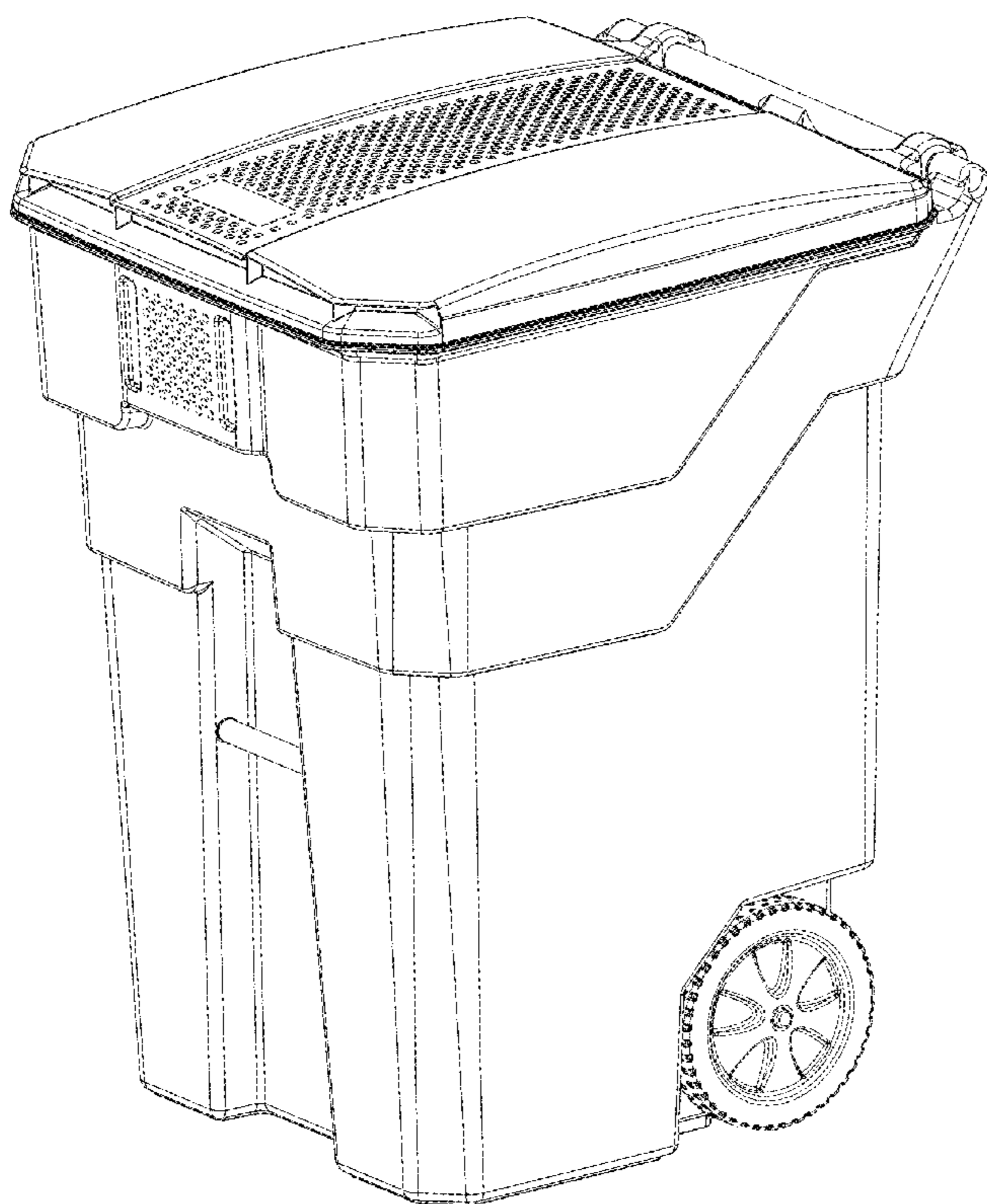
\* cited by examiner  
*Primary Examiner* — Cynthia Ramirez  
 (74) *Attorney, Agent, or Firm* — McHale & Slavin, P.A.

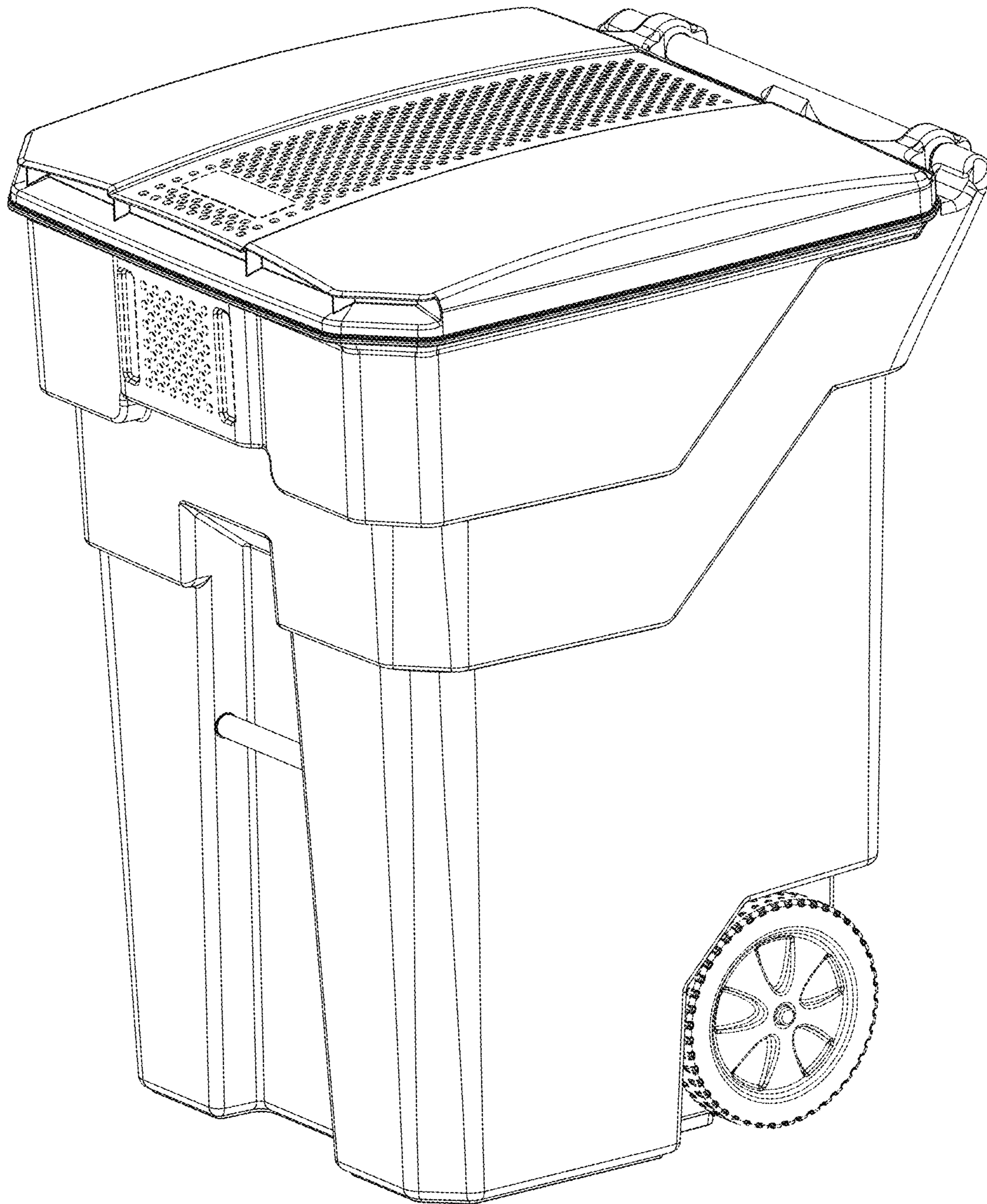
(57) **CLAIM**  
 The ornamental design for a wheeled trash can, as shown and described.

**DESCRIPTION**  
 FIG. 1 is a top right perspective view of the wheeled trash can of the present invention;  
 FIG. 2 is a rear view thereof;  
 FIG. 3 is a front view thereof;  
 FIG. 4 is a left side view thereof;  
 FIG. 5 is a right side view thereof;  
 FIG. 6 is a bottom view thereof;  
 FIG. 7 is a top view thereof; and,  
 FIG. 8 is a bottom right perspective view thereof.  
 The portions of the wheeled trash can illustrated in broken lines form no part of the claimed design.

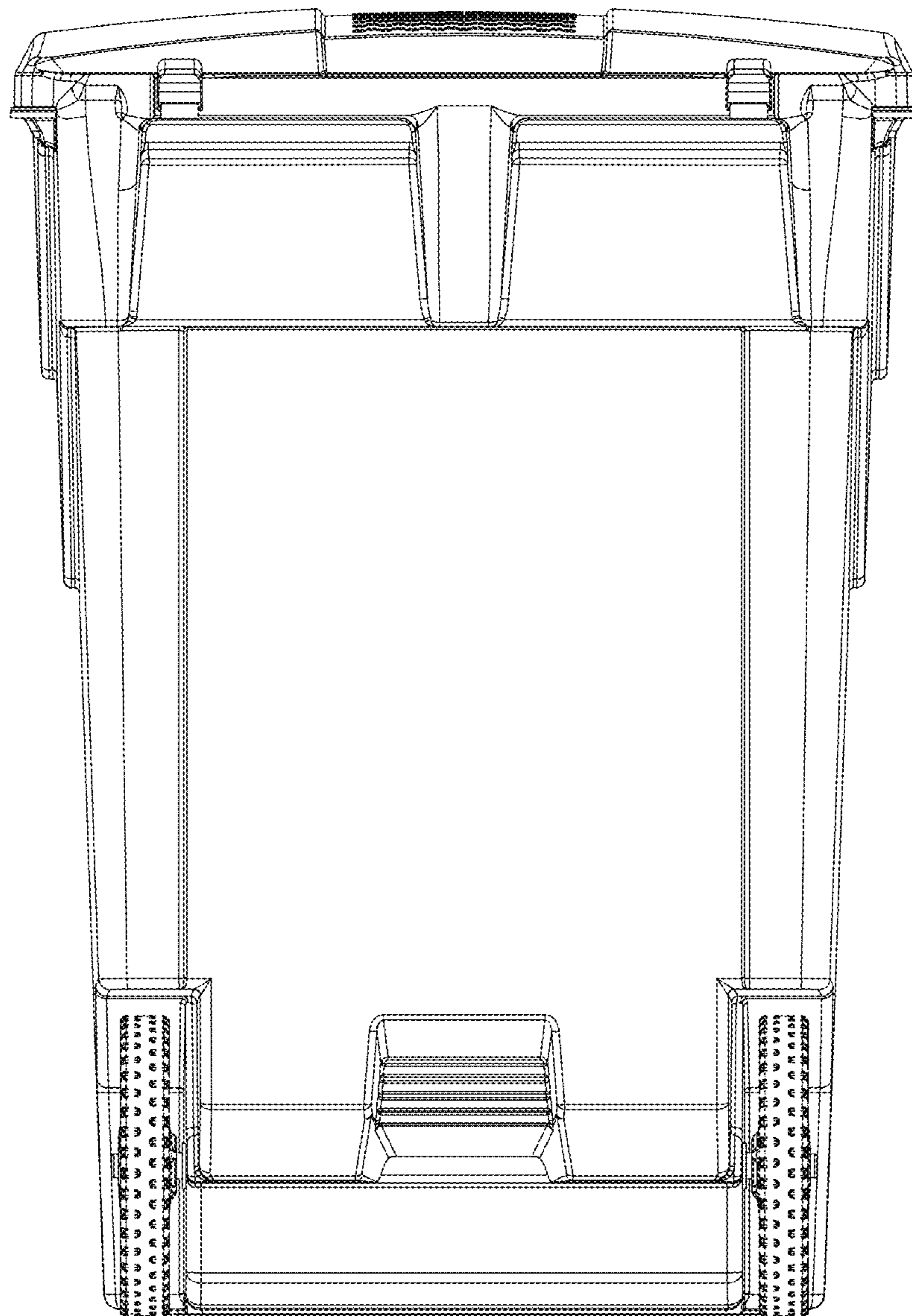
**1 Claim, 8 Drawing Sheets**

- (56) **References Cited**  
 U.S. PATENT DOCUMENTS  
 D355,741 S \* 2/1995 Craft ..... D34/1  
 D398,120 S \* 9/1998 Rehrig ..... D34/5  
 D445,228 S \* 7/2001 Apps ..... D34/25

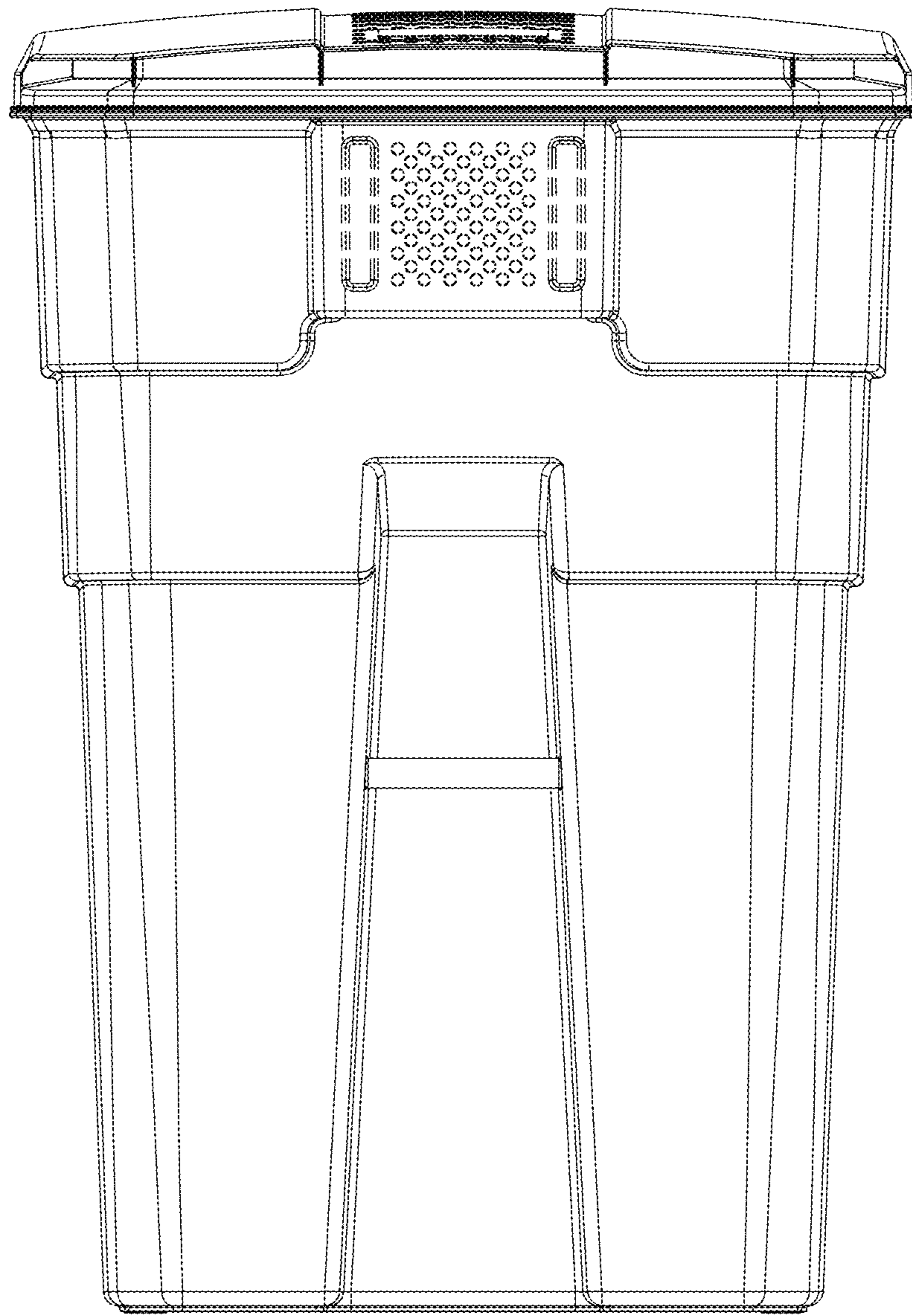




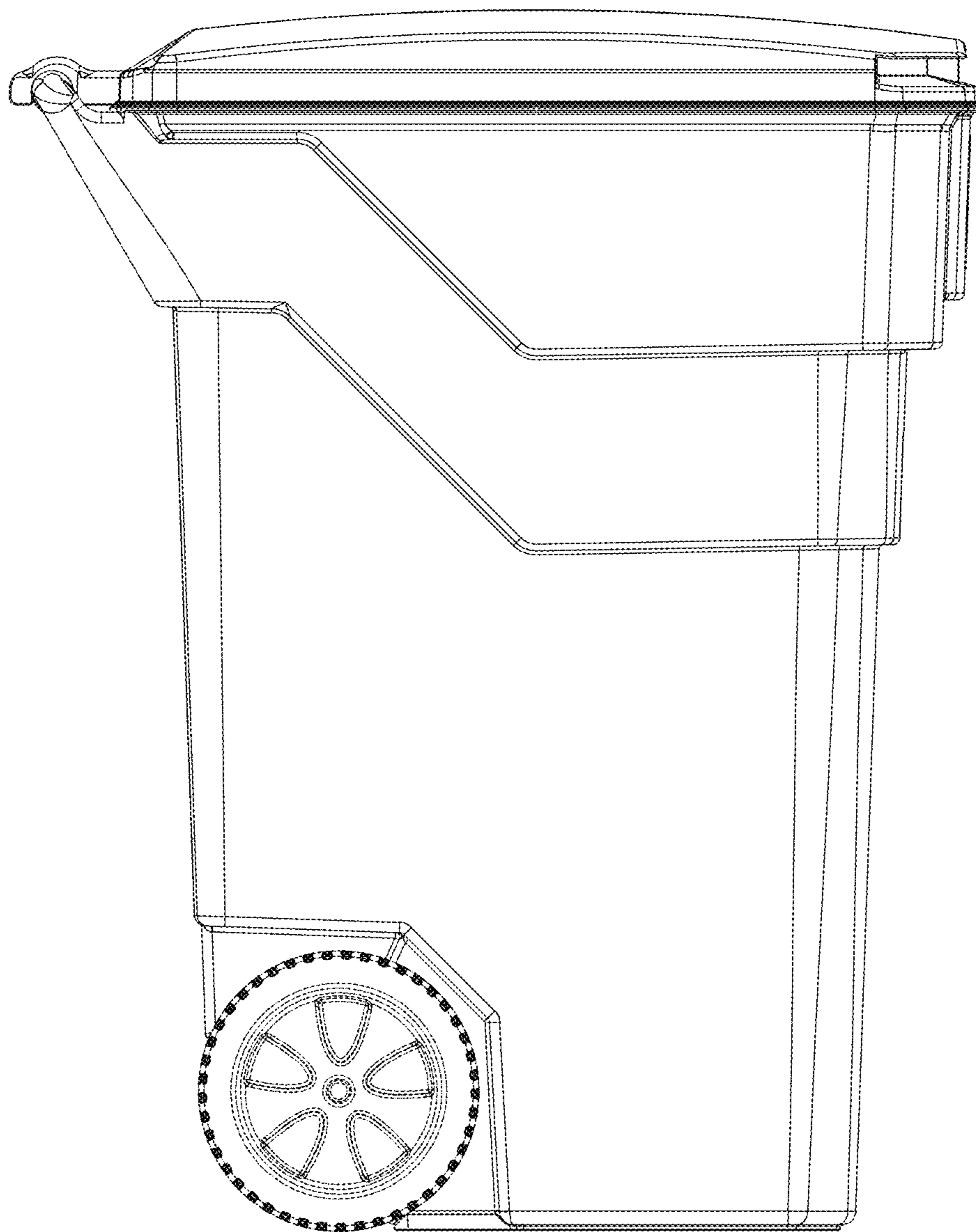
*Fig. 1*



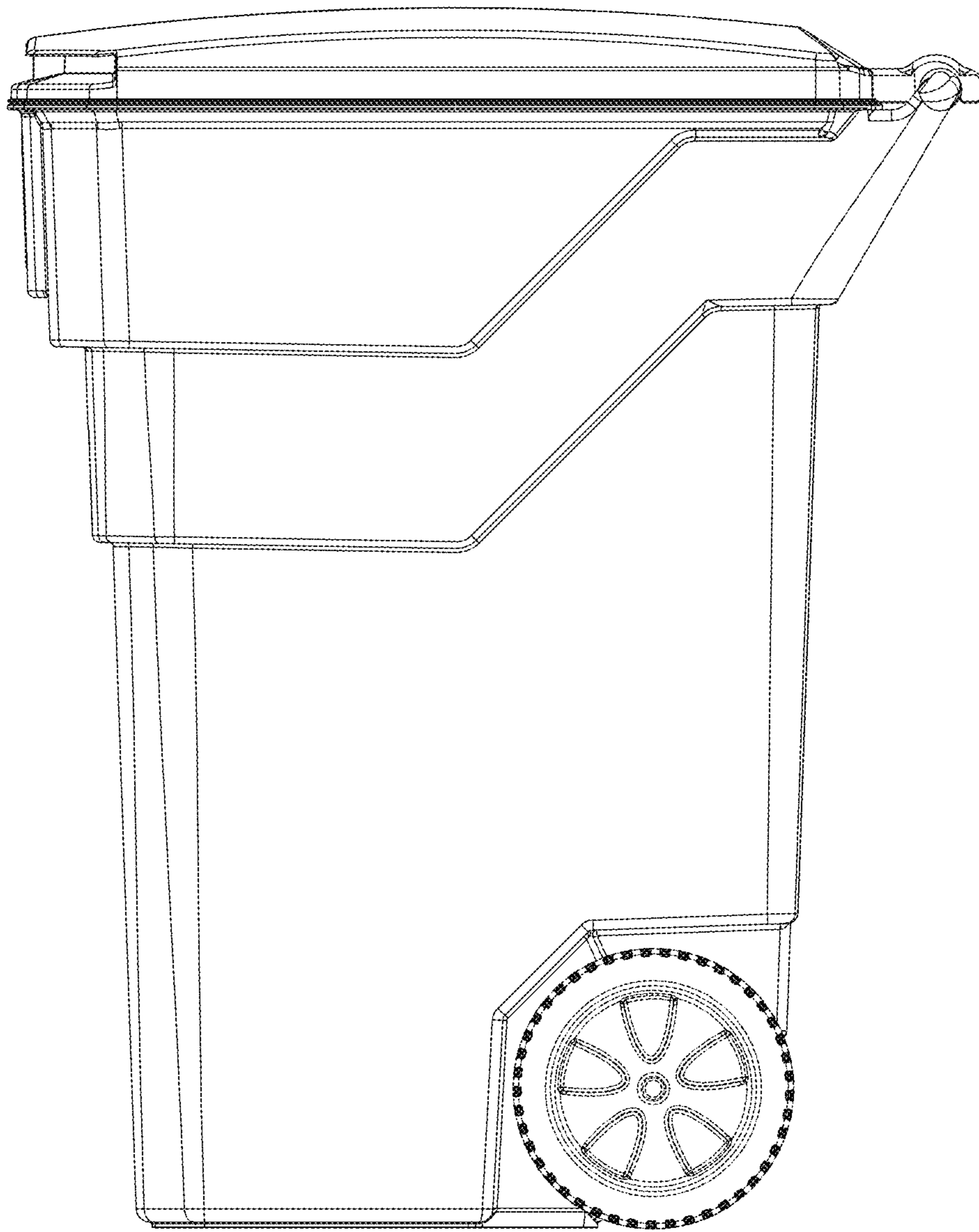
*Fig. 2*



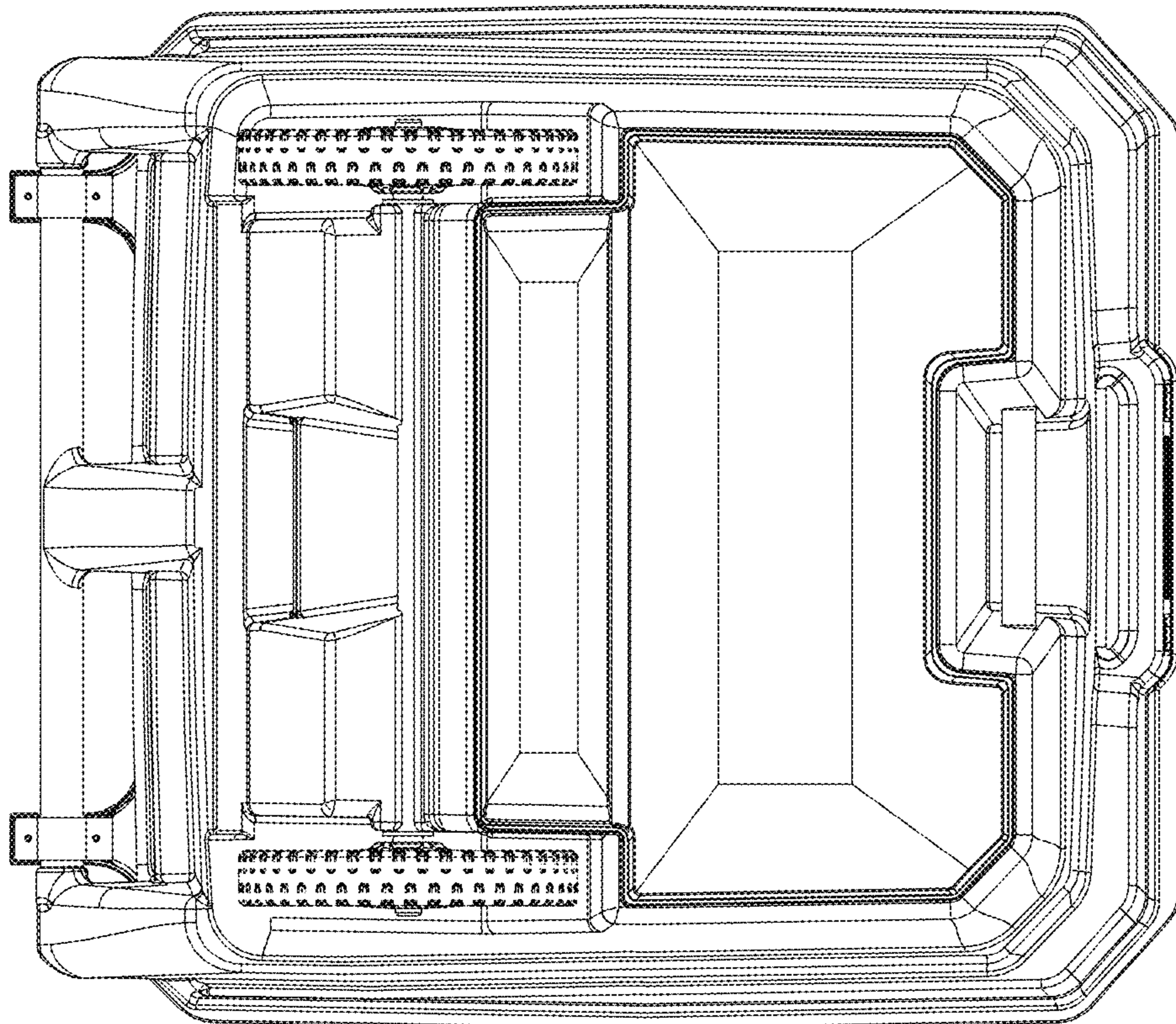
*Fig. 3*



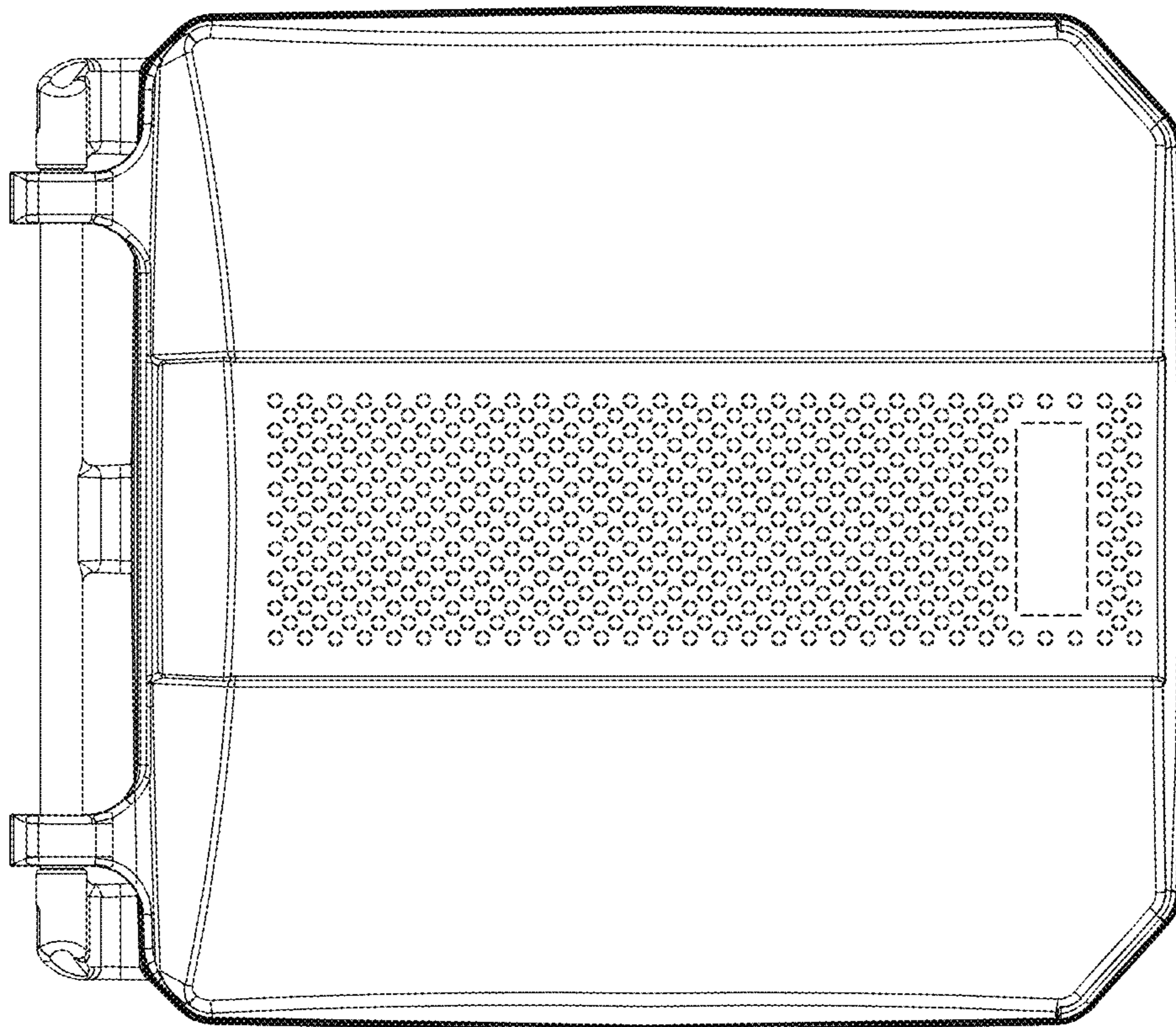
*Fig. 4*



*Fig. 5*

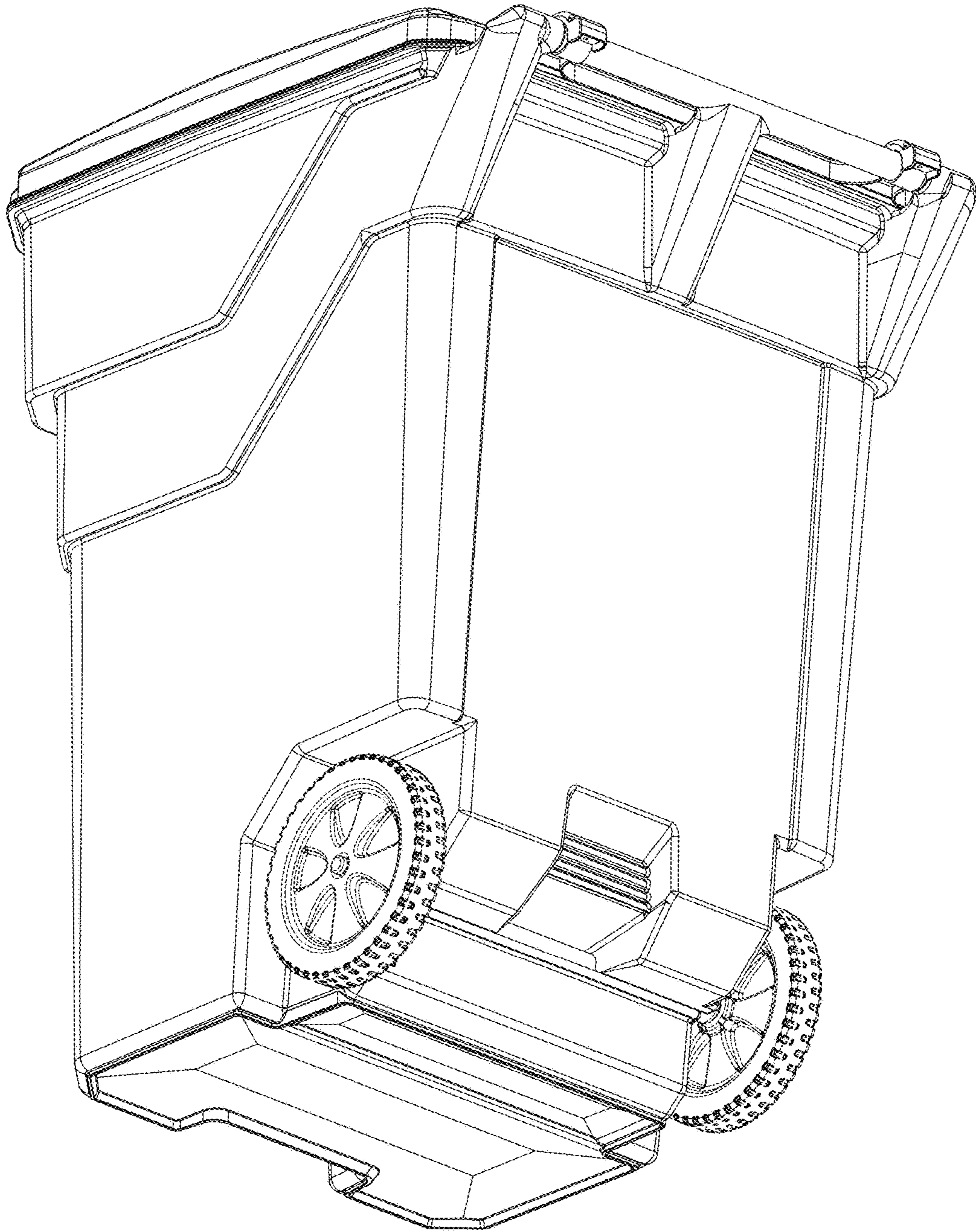


*Fig. 6*



*Fig. 7*





*Fig. 8*