



US00D796764S

(12) **United States Design Patent**
Miller et al.

(10) **Patent No.:** **US D796,764 S**

(45) **Date of Patent:** **** Sep. 5, 2017**

- (54) **IRON**
- (71) Applicant: **Spectrum Brands, Inc.**, Middleton, WI (US)
- (72) Inventors: **Randy Scott Miller**, DeForest, WI (US); **Francisco Javier Barquin**, Madison, WI (US)
- (73) Assignee: **Spectrum Brands, Inc.**, Middleton, WI (US)

- D632,861 S 2/2011 Massip et al.
- D635,316 S 3/2011 Massip et al.
- D659,928 S 5/2012 Yan
- D659,929 S 5/2012 Yan
- D676,210 S 2/2013 Sirard
- D700,414 S 2/2014 Spatz
- D712,109 S * 8/2014 Day D32/70
- D715,012 S * 10/2014 Ringholm D32/70
- D718,512 S * 11/2014 Whitney D32/70
- D728,886 S 5/2015 Whitney
- D734,582 S * 7/2015 Umeda D32/70
- D739,108 S * 9/2015 Orthey D32/70

(Continued)

(**) Term: **15 Years**

OTHER PUBLICATIONS

(21) Appl. No.: **29/549,889**

Black and Decker IR03V Easy Steam Iron, disclosure date unknown but prior to filing [online], [site visited Dec. 2015]. Available from Internet, <URL: <http://www.amazon.com/Black-Decker-IR03V-Steam-White/dp/B00A0UF1AO>>.

(Continued)

(22) Filed: **Dec. 29, 2015**

(51) **LOC (10) Cl.** **07-05**

(52) **U.S. Cl.**
USPC **D32/70**

(58) **Field of Classification Search**
USPC D32/70, 71, 73, 72, 69, 68, 35; D8/71, D8/373, 349, 396, 30; D15/144, 144.2; D28/73; 219/231, 242, 229; 165/80.1; 126/414

CPC D06F 75/34; D06F 75/08; D06F 75/38; D06F 75/00; F22B 27/14; B08B 3/006

See application file for complete search history.

Primary Examiner — Austin Murphy

(74) *Attorney, Agent, or Firm* — Banner & Witcoff, Ltd.

(57) **CLAIM**

The ornamental design for an iron, as shown and described.

DESCRIPTION

FIG. 1 is a front perspective view of an iron showing our new design;

FIG. 2 is a left side view thereof;

FIG. 3 is a right side view thereof;

FIG. 4 is a rear view thereof;

FIG. 5 is a front view thereof;

FIG. 6 is a top view thereof; and,

FIG. 7 is a bottom view thereof.

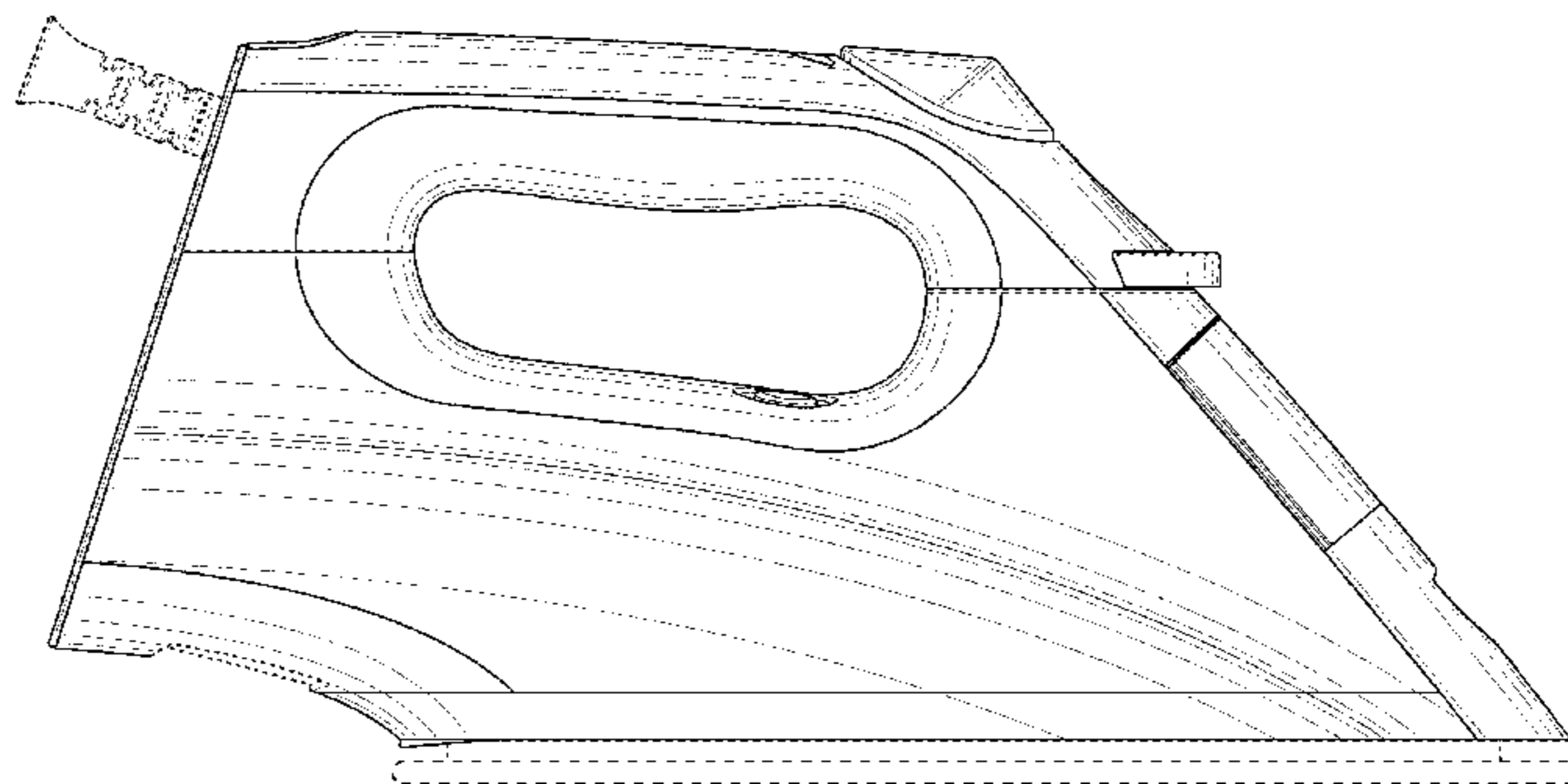
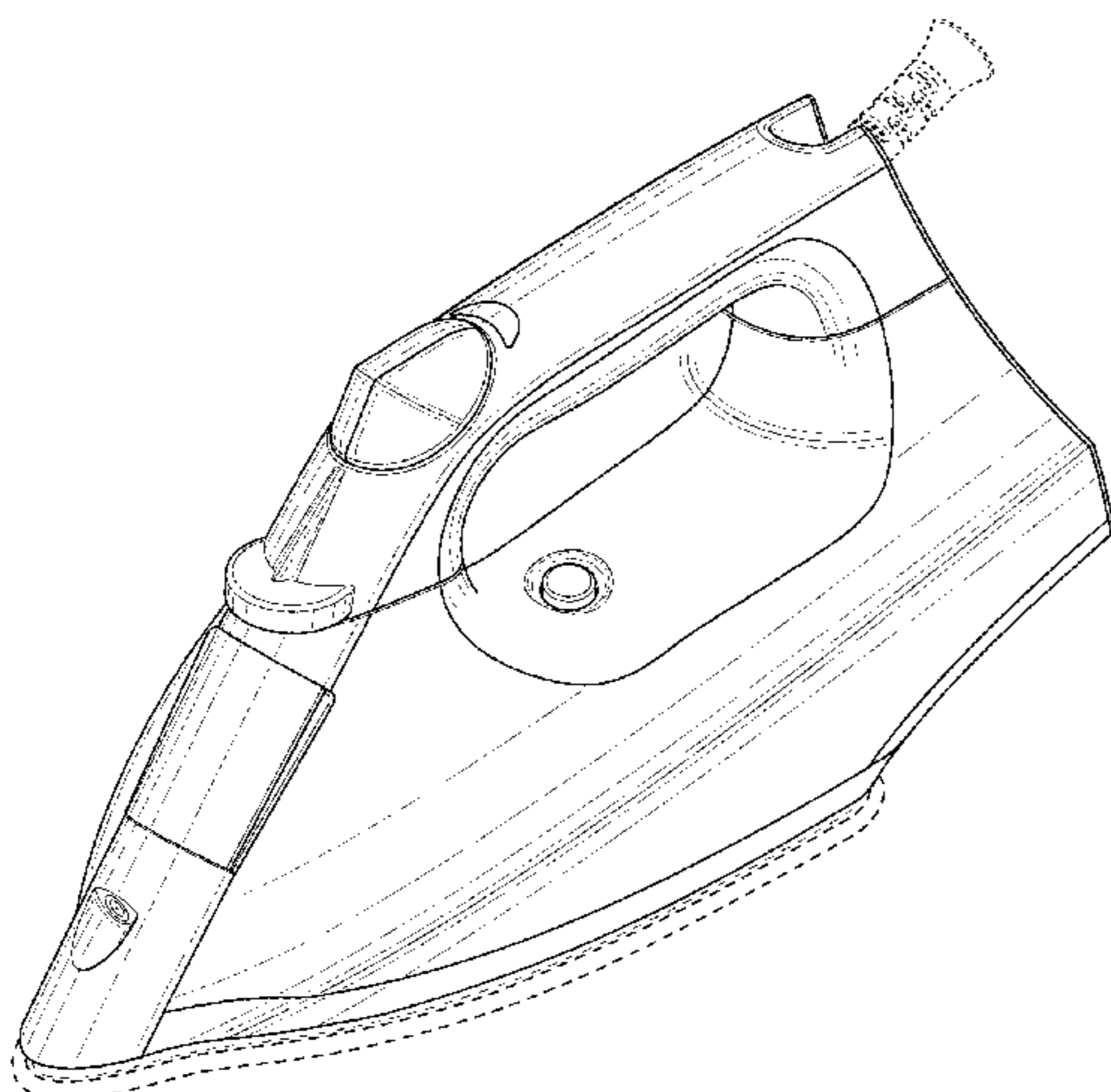
The broken line showing of the various unshaded elements of the iron is for environmental purposes only and forms no part of the claimed design.

1 Claim, 7 Drawing Sheets

(56) **References Cited**

U.S. PATENT DOCUMENTS

- D509,936 S 9/2005 Santillan
- D567,462 S * 4/2008 Renault D32/70
- D568,020 S * 4/2008 Poon D32/70
- D594,165 S 6/2009 Mizoguchi
- D594,166 S * 6/2009 Mizoguchi D32/70
- D610,763 S 2/2010 Massip et al.
- D610,764 S 2/2010 Massip et al.
- D610,765 S 2/2010 Massip et al.
- D624,266 S 9/2010 Massip et al.
- D629,991 S * 12/2010 Day D32/70



(56)

References Cited

U.S. PATENT DOCUMENTS

D747,059 S *	1/2016	Esteve	D32/70
D747,584 S *	1/2016	Orthey	D32/70
D773,144 S *	11/2016	Tan	D32/70
2010/0307034 A1 *	12/2010	Knott	D06F 75/26 38/77.5

OTHER PUBLICATIONS

Black and Decker ICR07X Xpress Traditional Cord Reel Iron, disclosure date unknown but prior to filing [online], [site visited Dec. 2015]. Available from Internet, <URL: <http://www.blackanddeckerappliances.com/products/garment-care/traditional-irons/ICR07X-Xpress-Cord-Reel-Iron.aspx>>.

Black and Decker IR1070S Steam Advantage Iron, disclosure date unknown but prior to filing [online], [site visited Feb. 2017]. Available from Internet, <URL: <http://www.amazon.com/Black-Decker-IR1070S-Advantage-Stainless/dp/B004T0BJ9I>>.

Black and Decker ICR30X Xpress Steam Cord Reel Iron, disclosure date unknown but prior to filing [online], [site visited Feb. 2017].

Available from Internet, <URL: <http://www.blackanddeckerappliances.com/products/garment-care/traditional-irons/ICR30X-Xpress-Steam-Cord-Reel-Iron.aspx>>.

Black and Decker IR05X Xpress Traditional Steam Iron, disclosure date unknown but prior to filing [online], [site visited Feb. 2017].

Available from Internet <URL: <http://www.blackanddeckerappliances.com/products/garment-care/taditional-irons/IR05X-Xpress-Traditional-Steam-Iron.aspx>>.

Black and Decker IR08X Xpress Steam Iron, disclosure date unknown but prior to filing [online], [site visited Feb. 2017].

Available from Internet <URL: <http://www.blackanddeckerappliances.com/products/garment-care/traditional-irons/xpress-steam-iron-ir08x.aspx>>.

Black and Decker IR34V Corded Easy Steam Iron, disclosure date unknown but prior to filing [online], [site visited Feb. 2017].

Available from Internet <URL: <http://www.walmart.com/ip/Black-Decker-Corded-Easy-Steam-Iron-Lime-Green/23745966>>.

Black and Decker ICR05X Xpress Steam Cord Reel Iron, disclosure date unknown but prior to filing [online], [site visited Feb. 2017].

Available from Internet <URL: <http://www.blackanddeckerappliances.com/products/garment-care/taditional-irons/icr05x-xpress-steam-cord-reel-iron.aspx>>.

* cited by examiner

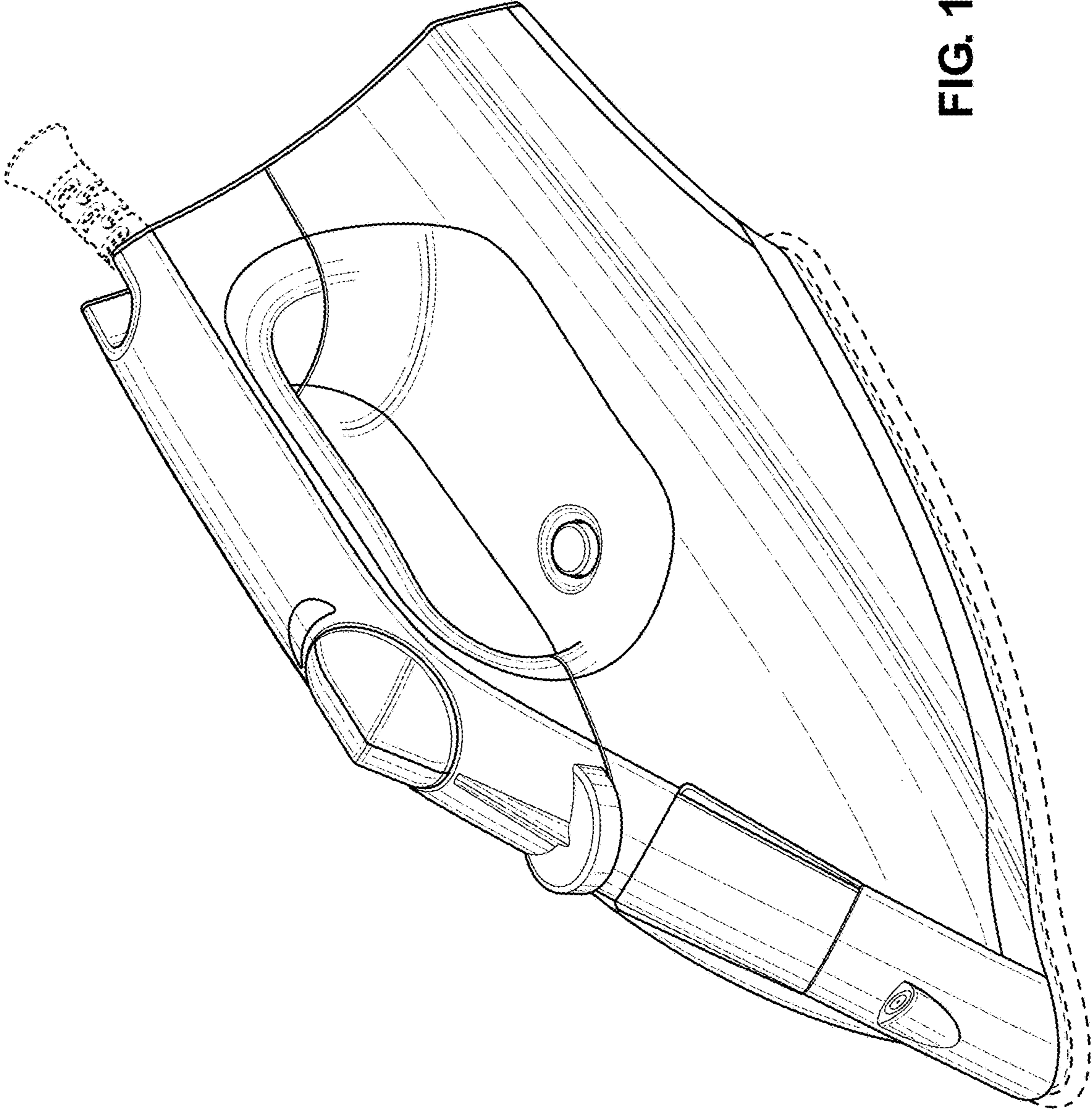


FIG. 1

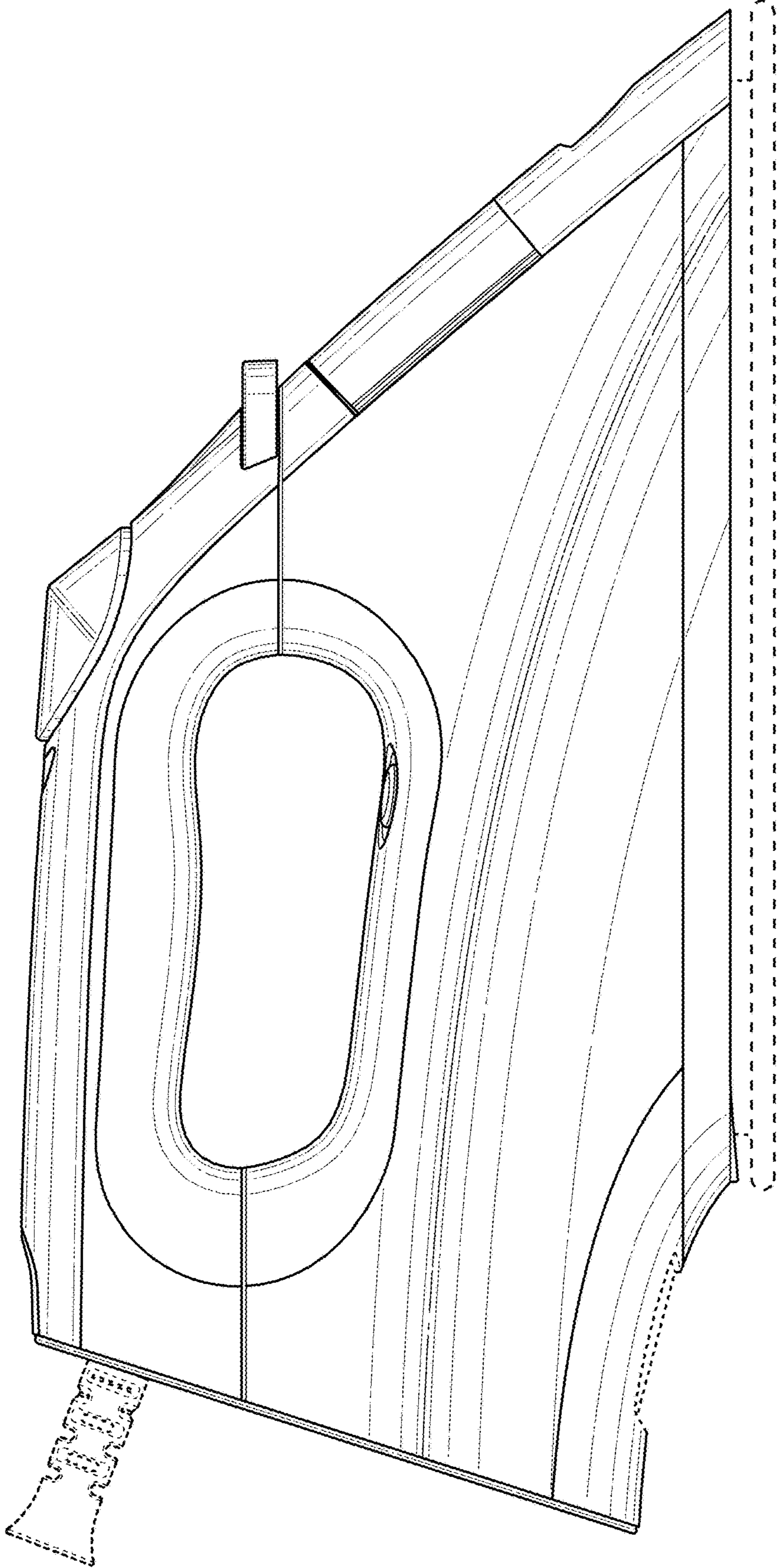


FIG. 2

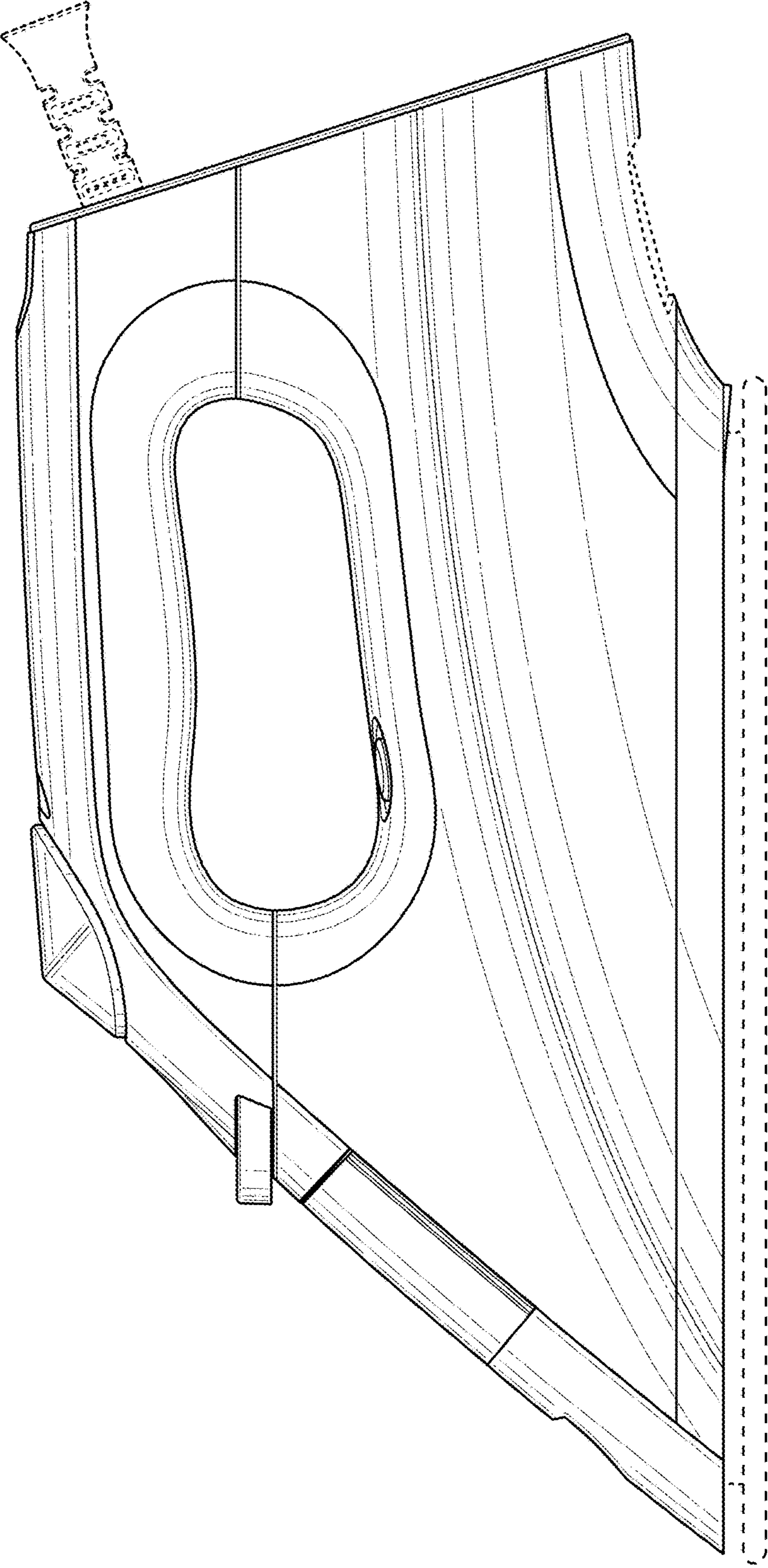


FIG. 3

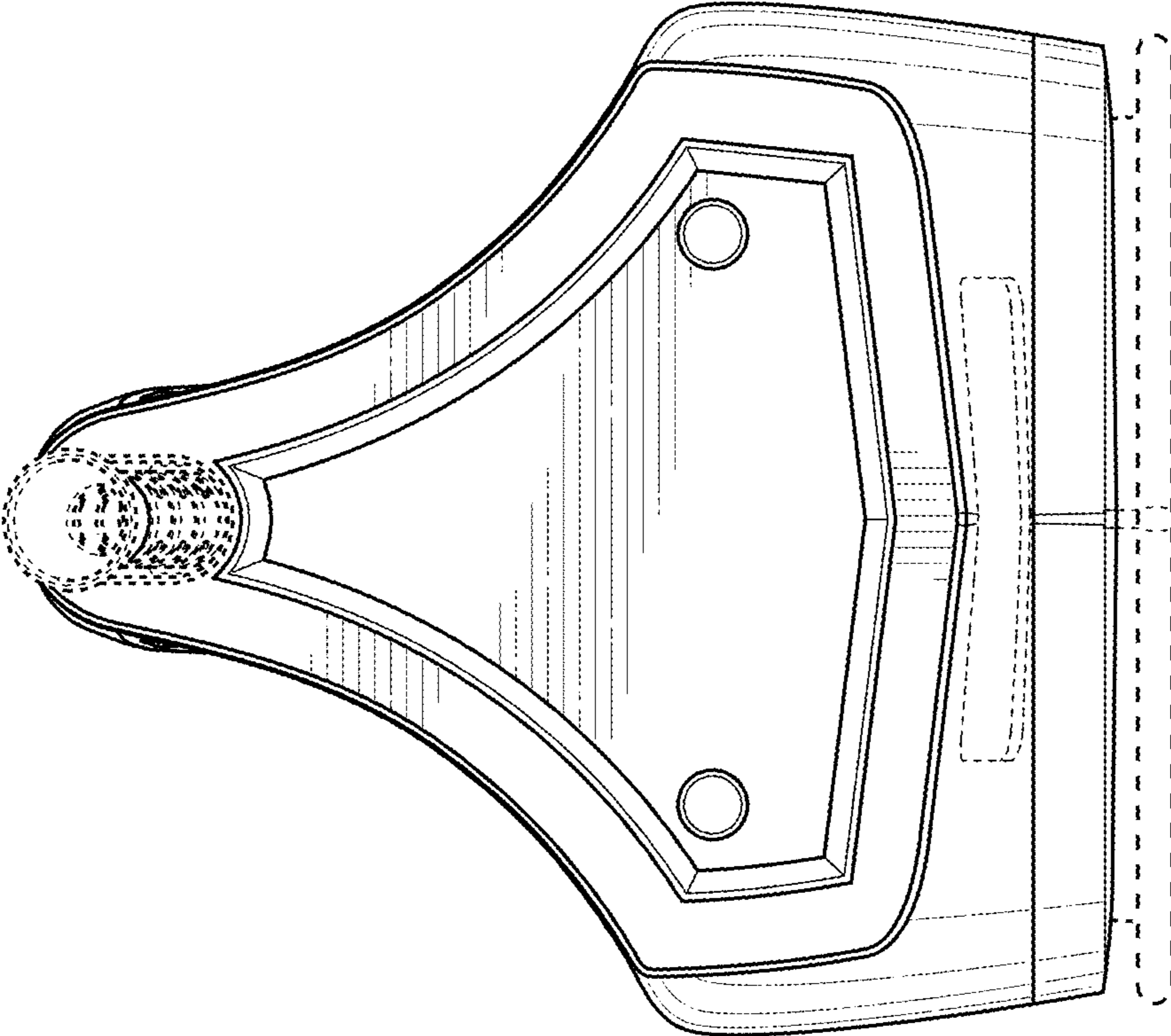


FIG. 4

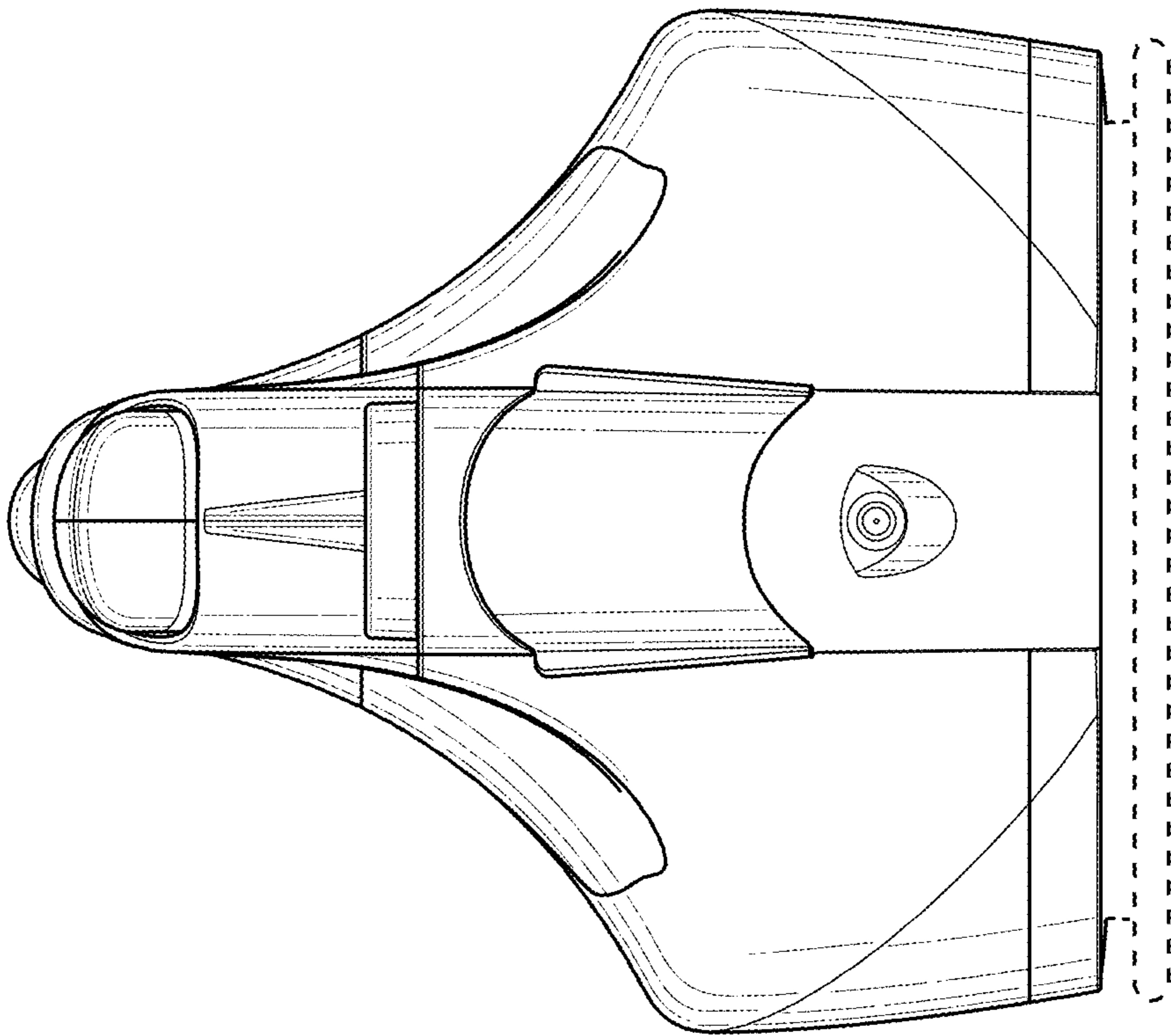


FIG. 5

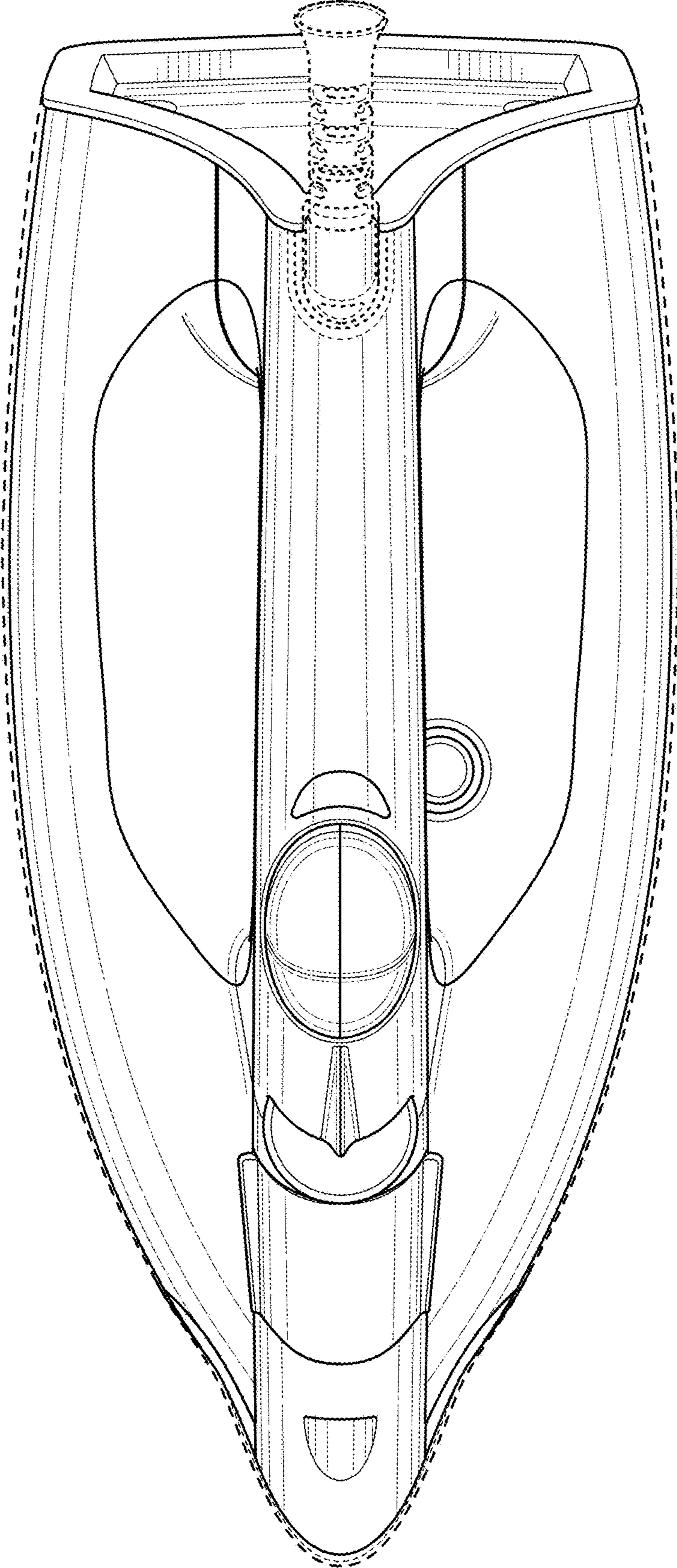


FIG. 6

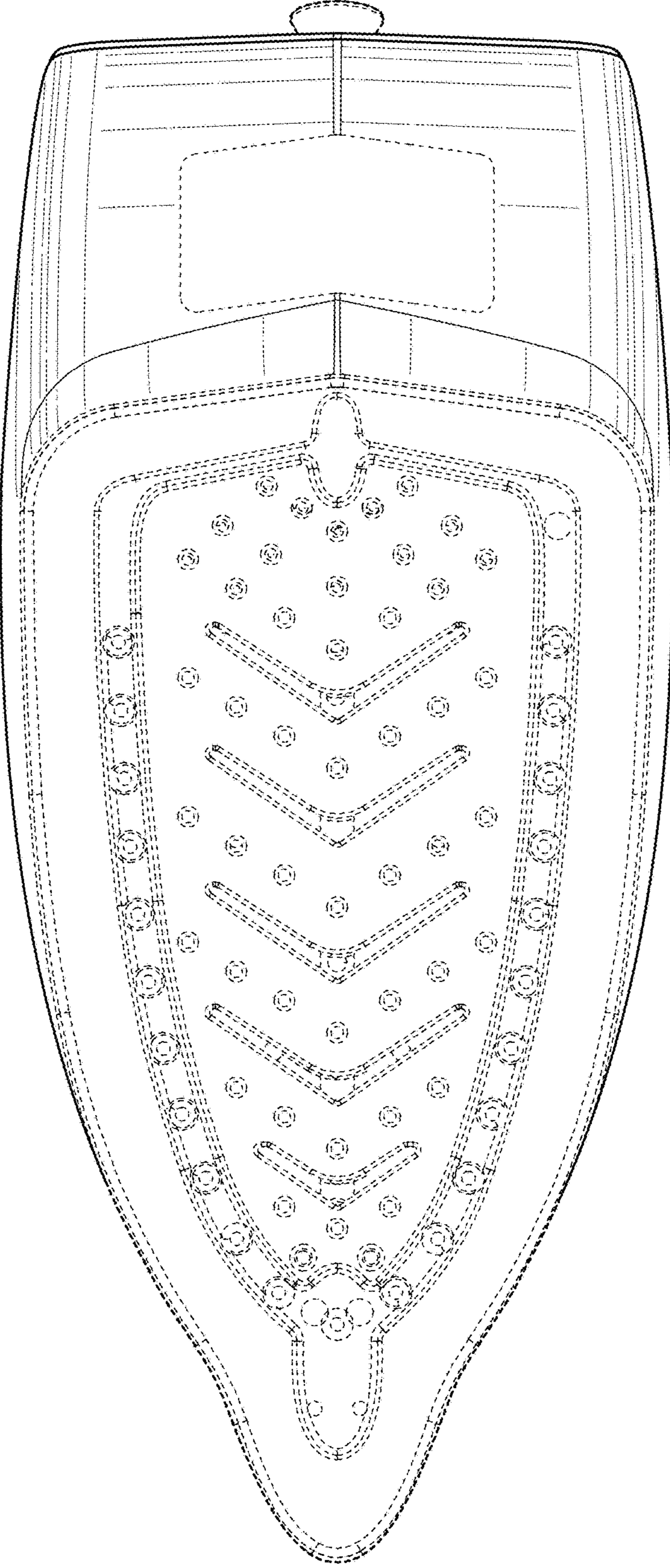


FIG. 7