



US00D796763S

(12) **United States Design Patent** (10) **Patent No.:** **US D796,763 S**
Reches et al. (45) **Date of Patent:** **** Sep. 5, 2017**

(54) **RINSE BASKET**
(71) Applicant: **Formlabs, Inc.**, Somerville, MA (US)
(72) Inventors: **Yoav Reches**, Cambridge, MA (US);
Jason Livingston, Somerville, MA (US); **Jared S. Laucks**, Cambridge, MA (US); **Konstantinos Oikonomopoulos**, Boston, MA (US)
(73) Assignee: **Formlabs, Inc.**, Somerville, MA (US)
(**) Term: **15 Years**
(21) Appl. No.: **29/537,773**
(22) Filed: **Aug. 28, 2015**
(51) **LOC (10) Cl.** **07-05**
(52) **U.S. Cl.**
USPC **D32/55**
(58) **Field of Classification Search**
USPC D32/55, 276, 3; D6/510, 525; D30/133;
211/41.5, 41.4, 41.3, 41.8; 361/679.4;
312/311, 333, 334.4; D7/354, 629
CPC .. A47L 15/505; A47L 15/503; A47L 15/0013;
A47L 19/02; A47L 19/04; A47J 47/20
See application file for complete search history.

D655,472 S * 3/2012 Krus D32/55
D723,759 S * 3/2015 Evans D32/55
D762,934 S * 8/2016 Evans D32/55
D774,719 S * 12/2016 Green D32/55
D776,385 S * 1/2017 Evans D32/55
D781,518 S * 3/2017 Green D32/55

* cited by examiner

Primary Examiner — Austin Murphy
(74) *Attorney, Agent, or Firm* — Wolf, Greenfield & Sacks, P.C.

(57) **CLAIM**

The ornamental design for a rinse basket, substantially as shown.

DESCRIPTION

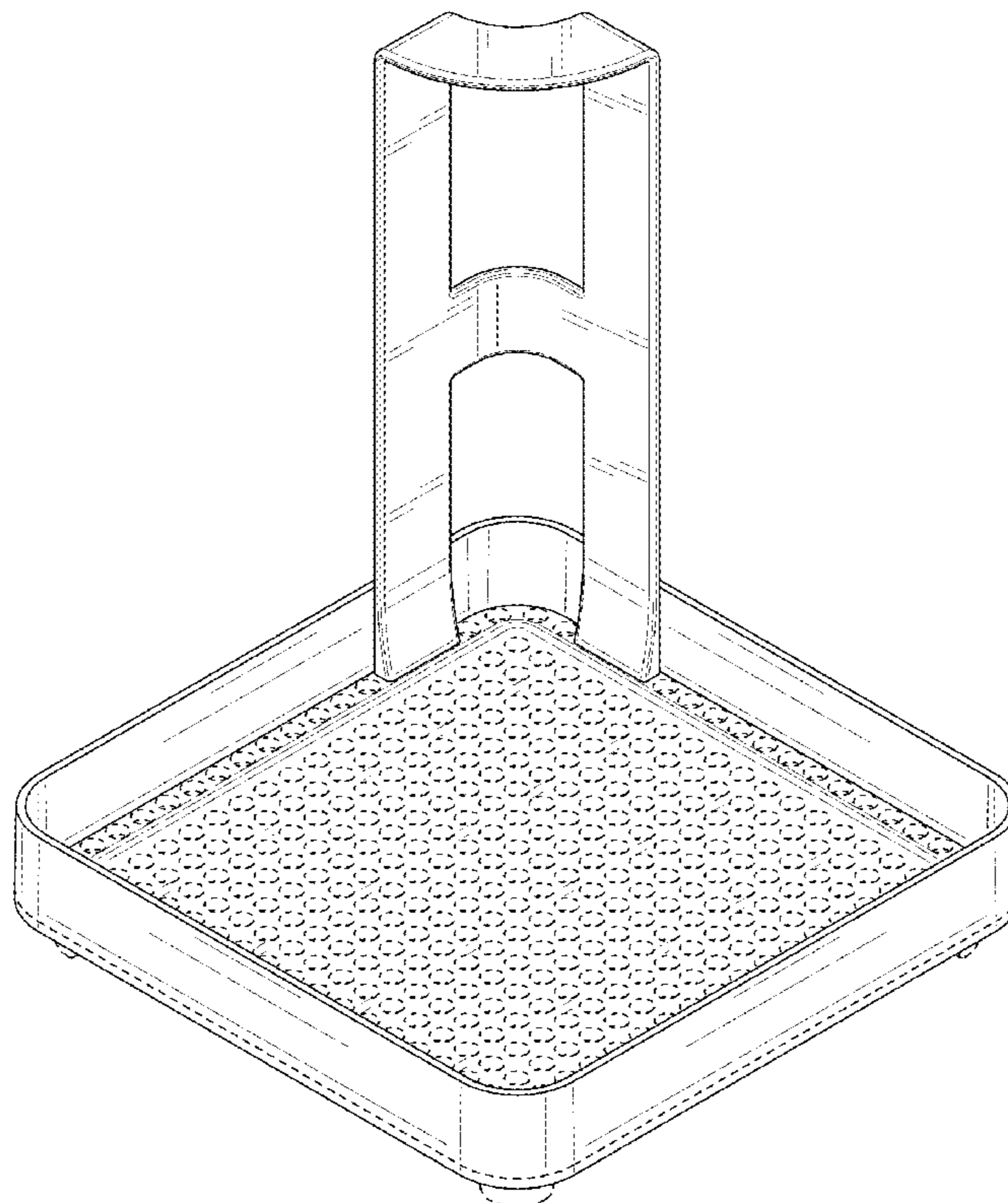
FIG. 1 is a top, front, right perspective view of a rinse basket showing a first embodiment of our design;
FIG. 2 is a right-side view thereof;
FIG. 3 is a rear view thereof;
FIG. 4 is a front view thereof;
FIG. 5 is a left-side view thereof;
FIG. 6 is a top view thereof;
FIG. 7 is a bottom view thereof; and,
FIG. 8 is a top, front, right exploded view thereof.
The broken lines illustrate portions of the rinse basket that form no part of the claimed design.

(56) **References Cited**

U.S. PATENT DOCUMENTS

D559,491 S * 1/2008 Yang D32/55
D581,619 S * 11/2008 Yang D32/55

1 Claim, 8 Drawing Sheets



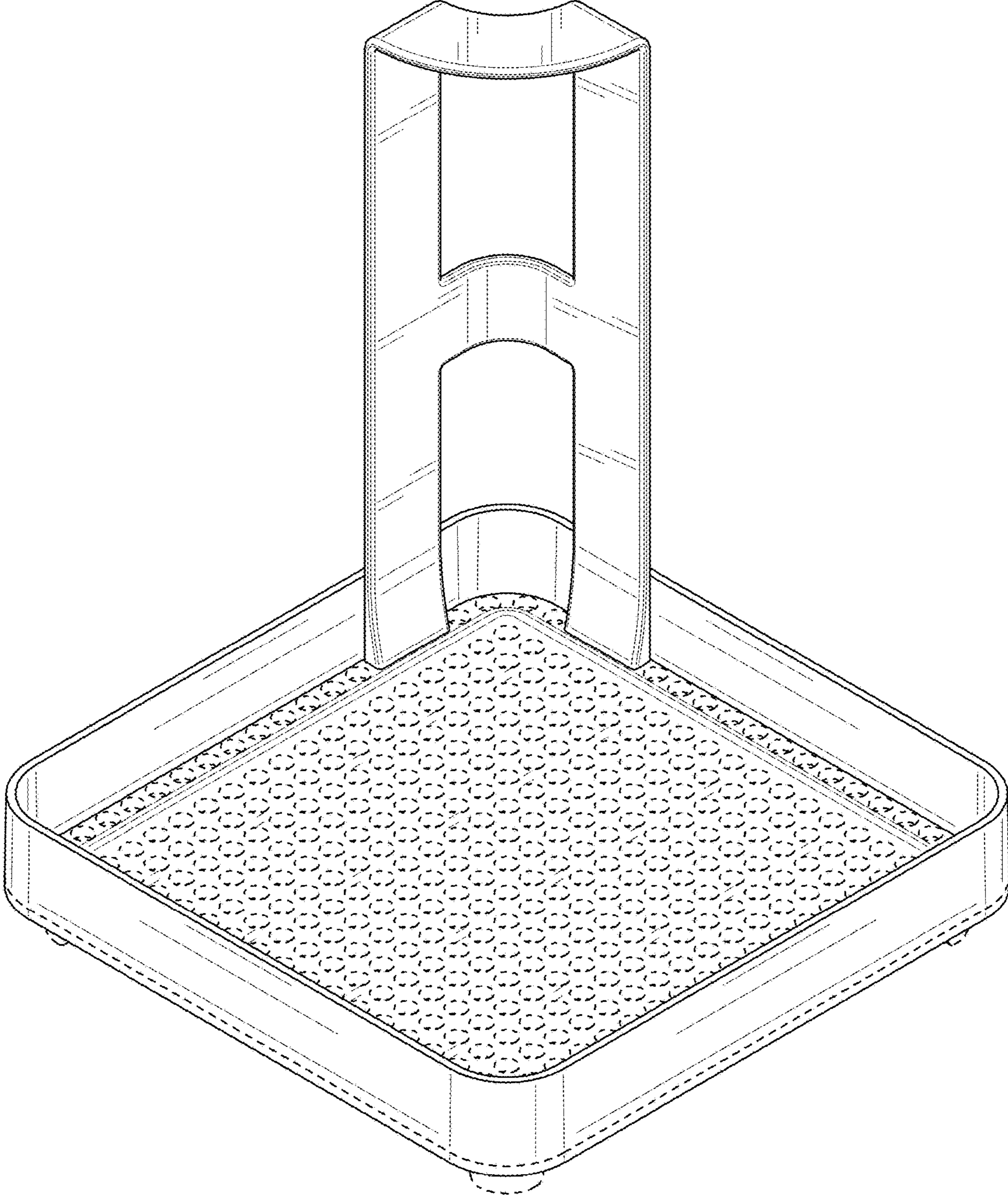


FIG. 1

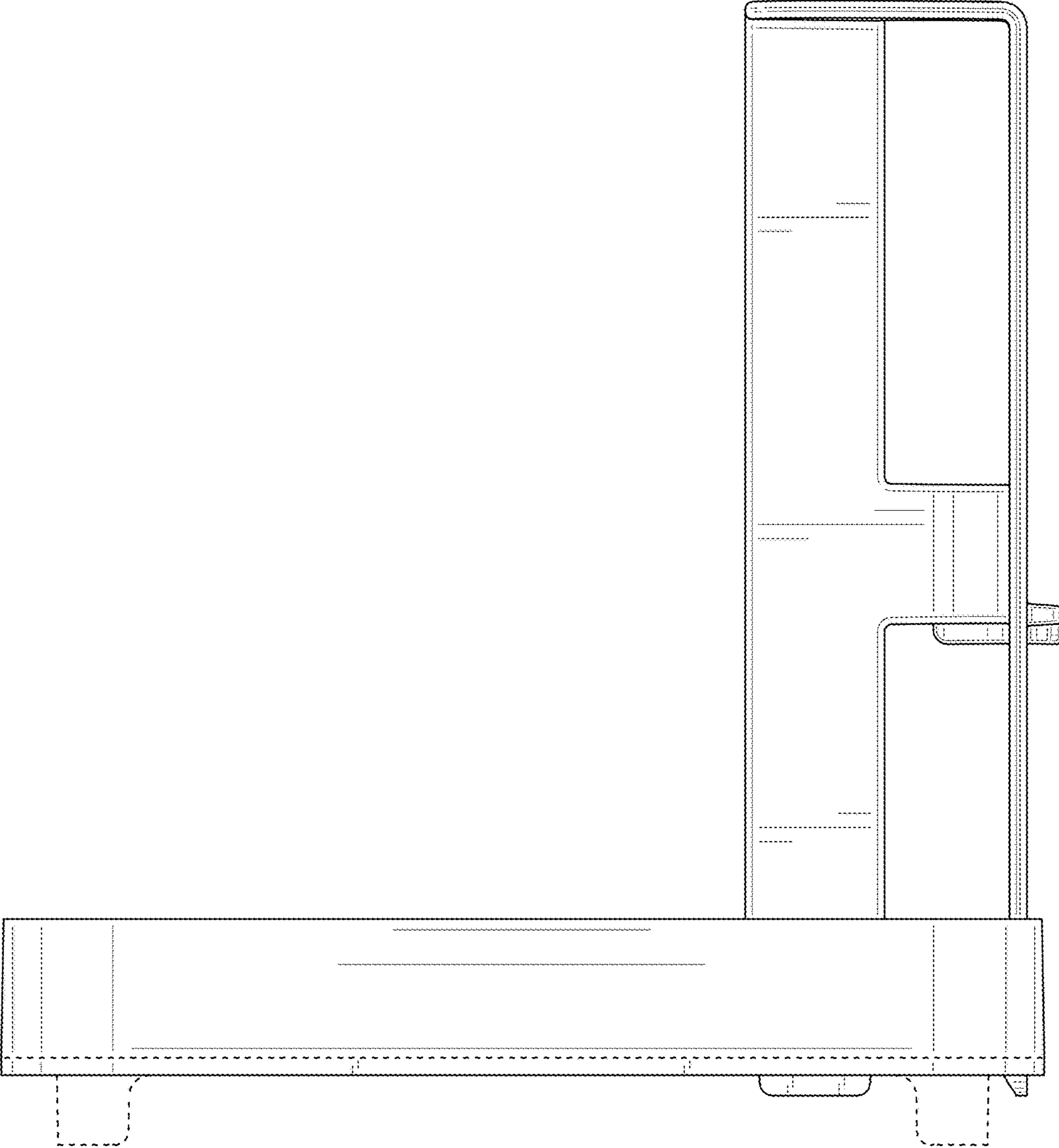


FIG. 2

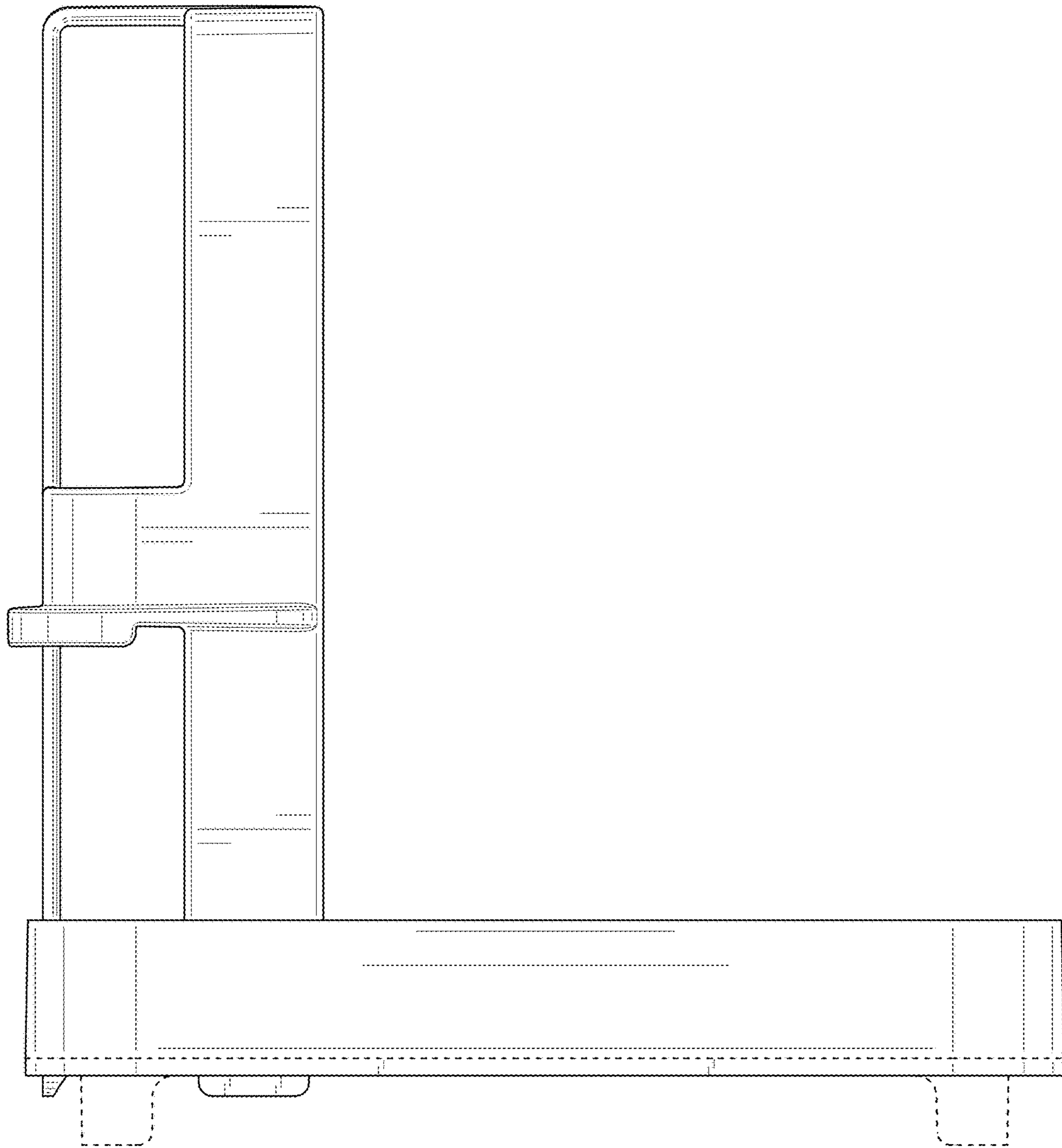


FIG. 3

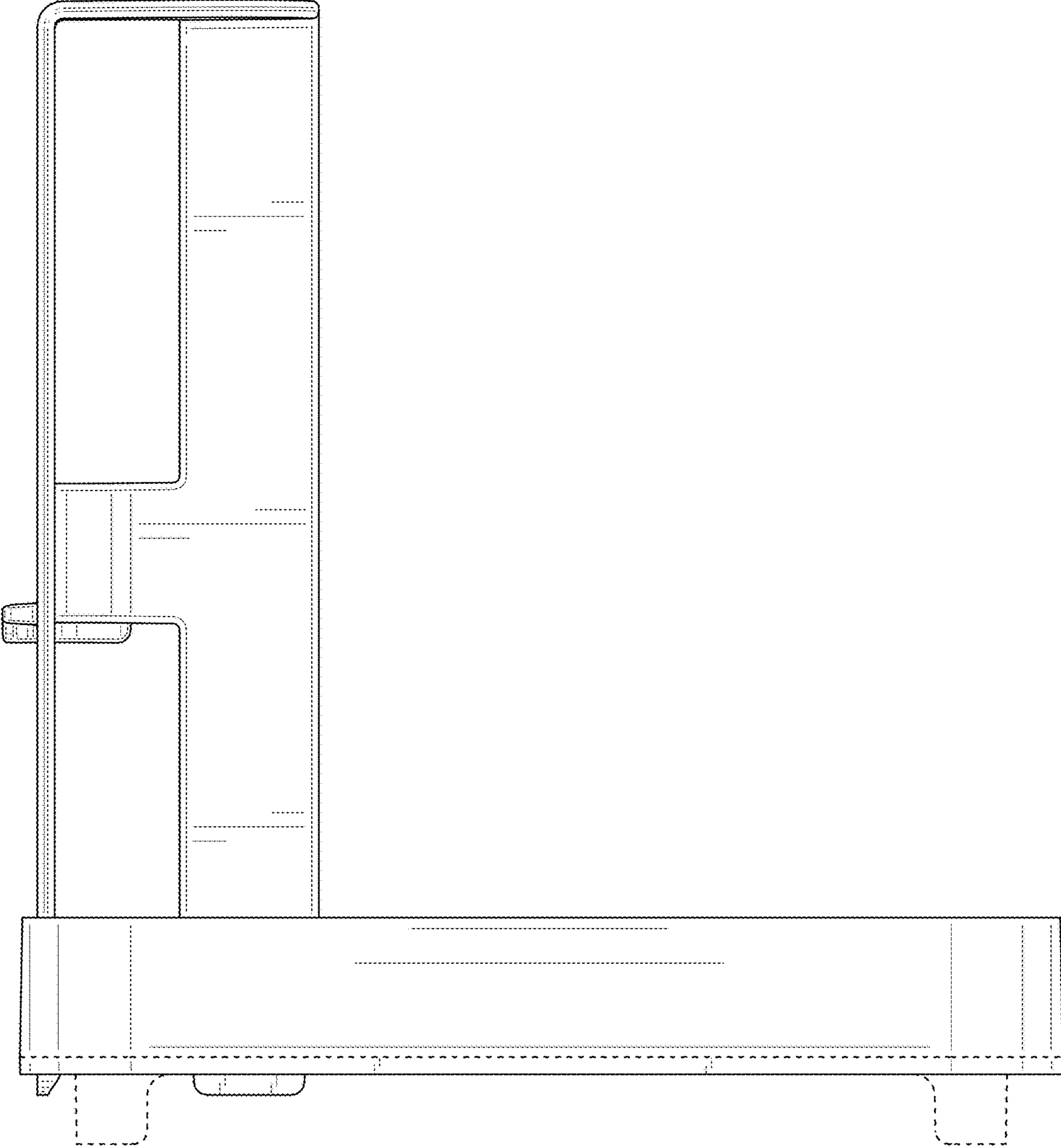


FIG. 4

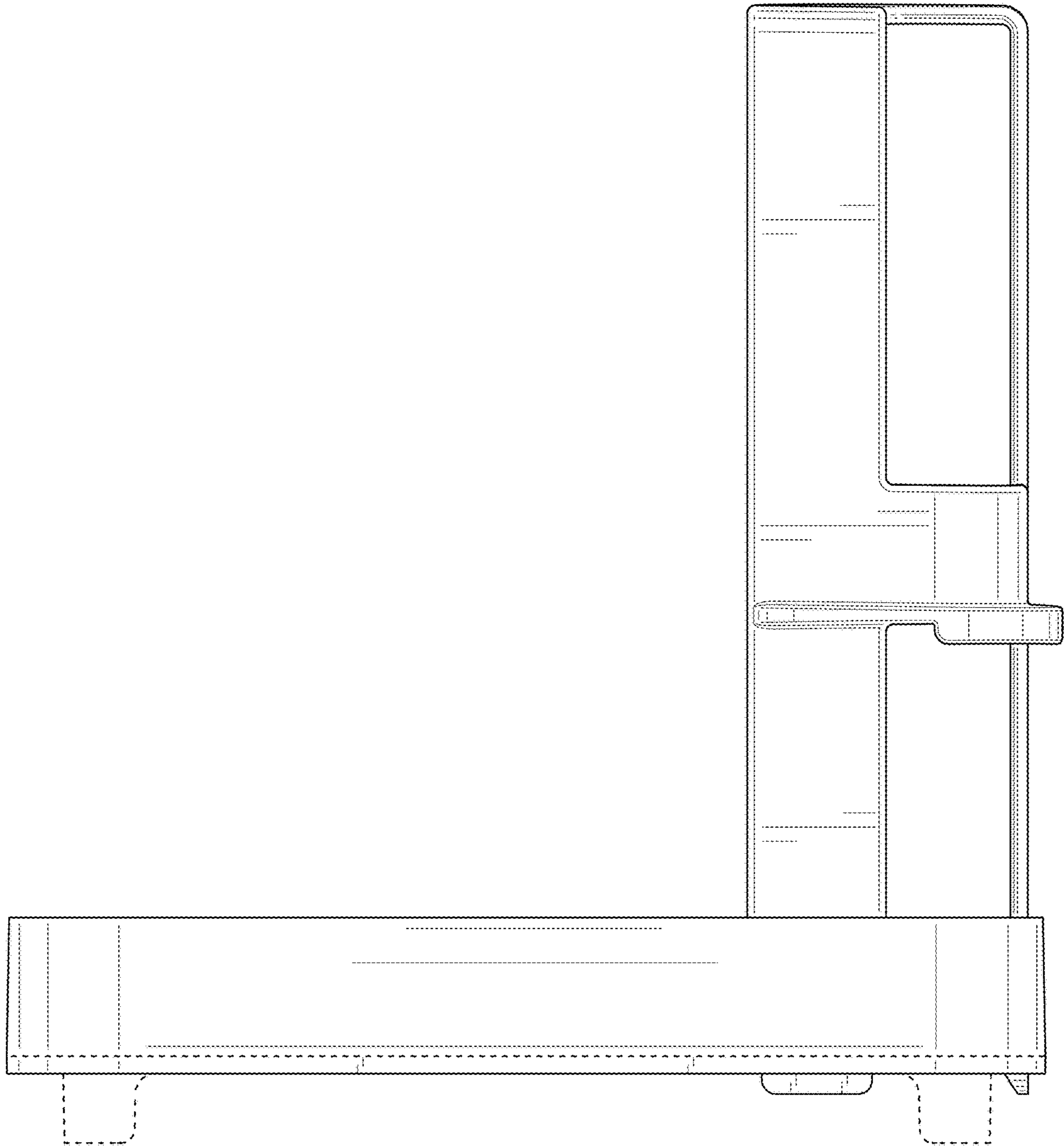


FIG. 5

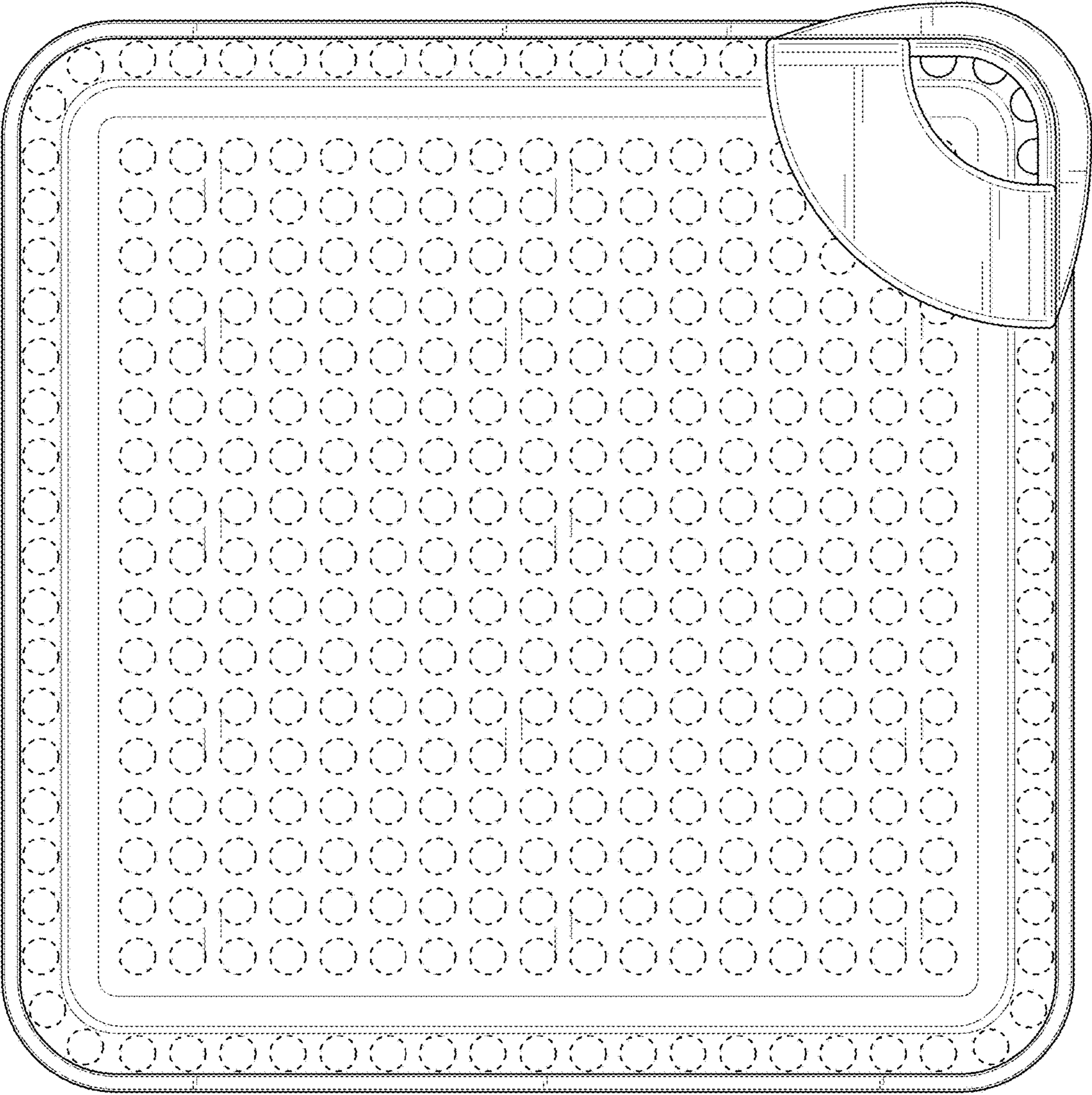


FIG. 6

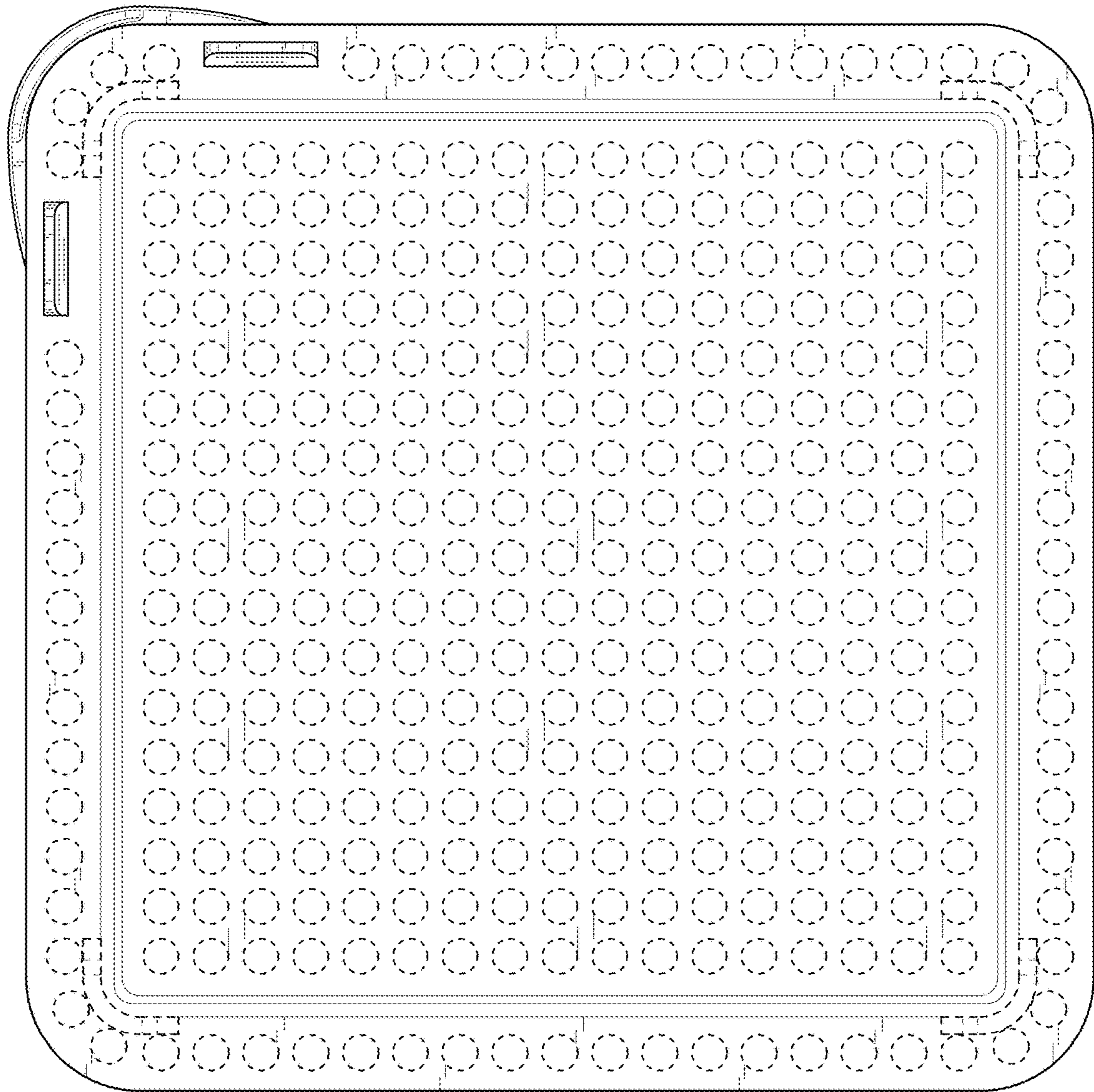


FIG. 7

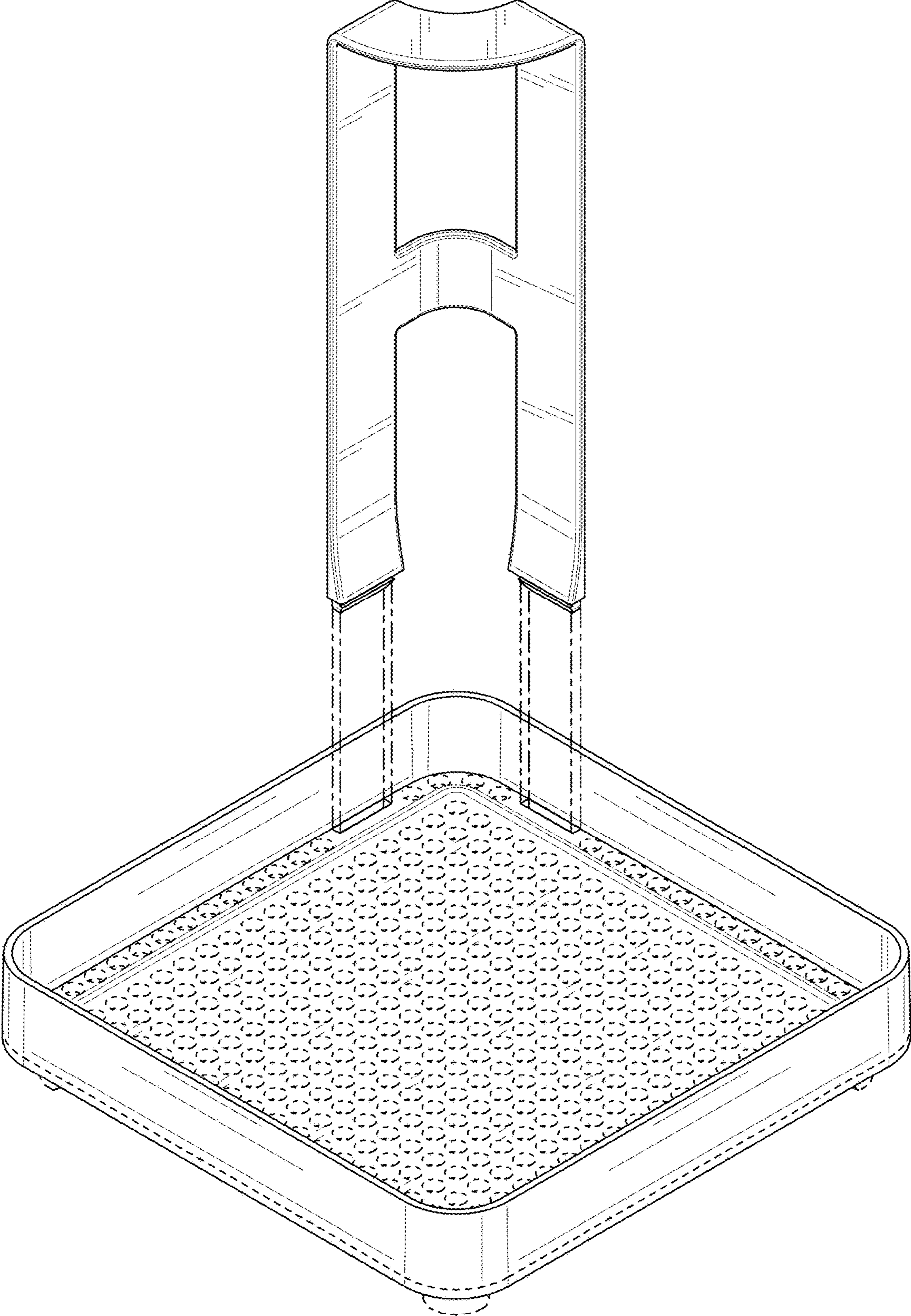


FIG. 8