



US00D796761S

(12) **United States Design Patent**
Larouche

(10) **Patent No.:** **US D796,761 S**

(45) **Date of Patent:** **** Sep. 5, 2017**

- (54) **SWIMMING POOL VACUUM**
- (71) Applicant: **CPA POOL PRODUCTS, INC.**,
Blainville (CA)
- (72) Inventor: **Annie Larouche**, Mascouche (CA)
- (73) Assignee: **CPA POOL PRODUCTS, INC.**,
Blainville (CA)
- (**) Term: **15 Years**
- (21) Appl. No.: **29/570,474**
- (22) Filed: **Jul. 8, 2016**
- (51) **LOC (10) Cl.** **15-05**
- (52) **U.S. Cl.**
USPC **D32/33**
- (58) **Field of Classification Search**
USPC D32/17, 21-24, 31-33, 45, 50, 51
CPC D06F 87/00; D06F 75/06; D06F 73/00;
F22B 1/284; F24F 6/025; B44C 7/027;
A47L 11/34; A47L 11/4044; A47L 9/02;
A47L 9/06; A47L 9/2842; A04H 4/1636;
A04H 4/1654; A04H 4/169; E04H
4/1272; E04H 4/1609; B01D 35/26
See application file for complete search history.

(56) **References Cited**

U.S. PATENT DOCUMENTS

- 3,626,535 A * 12/1971 Ostrowsky et al. .. E04H 4/1636
15/1.7
- D404,862 S * 1/1999 Johnson D32/50
- D487,947 S * 3/2004 Pecci D32/32
- D506,050 S * 6/2005 Lalanne D32/45
- 7,409,740 B1 * 8/2008 Geigan E04H 4/1609
15/1.7
- D597,269 S * 7/2009 McNeil D32/45
- D612,115 S * 3/2010 Nicholas D32/32

- D612,116 S * 3/2010 Nicholas D32/33
- D629,982 S * 12/2010 Rossano D32/33
- D638,186 S * 5/2011 Yoon D32/50
- D645,218 S * 9/2011 Rossano D32/33
- D653,826 S * 2/2012 Lee D32/50
- 8,209,806 B2 * 7/2012 Lyons A46B 5/00
15/1.7
- 8,375,497 B1 * 2/2013 Fitzen E04H 4/1636
15/1.7
- D681,899 S * 5/2013 Bilger D32/32
- D691,340 S * 10/2013 Bruneel D32/32
- D694,484 S * 11/2013 Angel D32/50
- D709,258 S * 7/2014 Guder D32/32
- D712,103 S * 8/2014 Guder D32/32
- D723,233 S * 2/2015 Gidwell D32/50
- D725,332 S * 3/2015 Yoshitomi D32/33
- D754,938 S * 4/2016 Bruneel D32/33
- D759,329 S * 6/2016 Colangelo D32/50
- D766,528 S * 9/2016 Choi D32/50

(Continued)

Primary Examiner — Ruth McInroy

(74) *Attorney, Agent, or Firm* — Hodgson Russ LLP

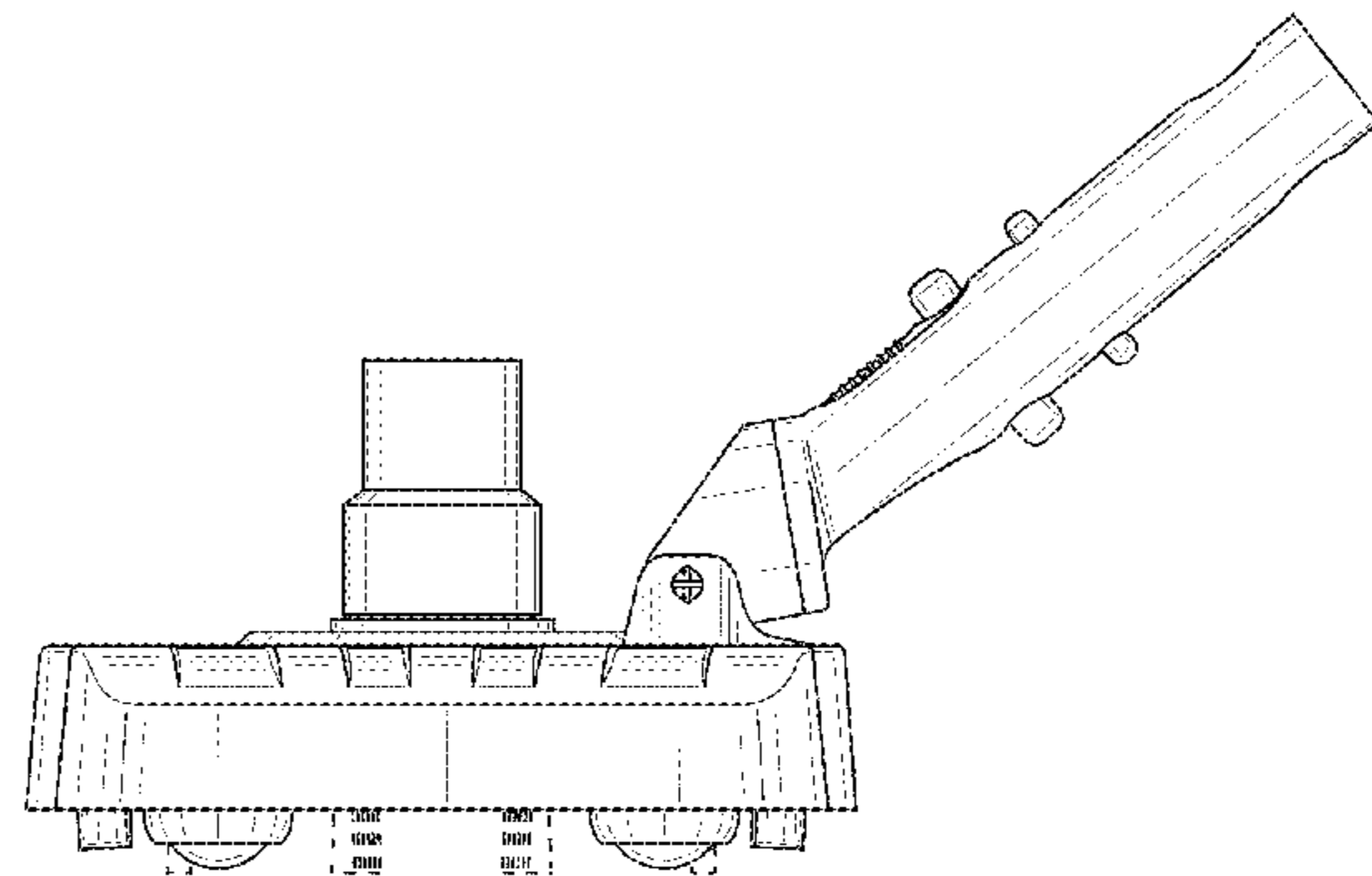
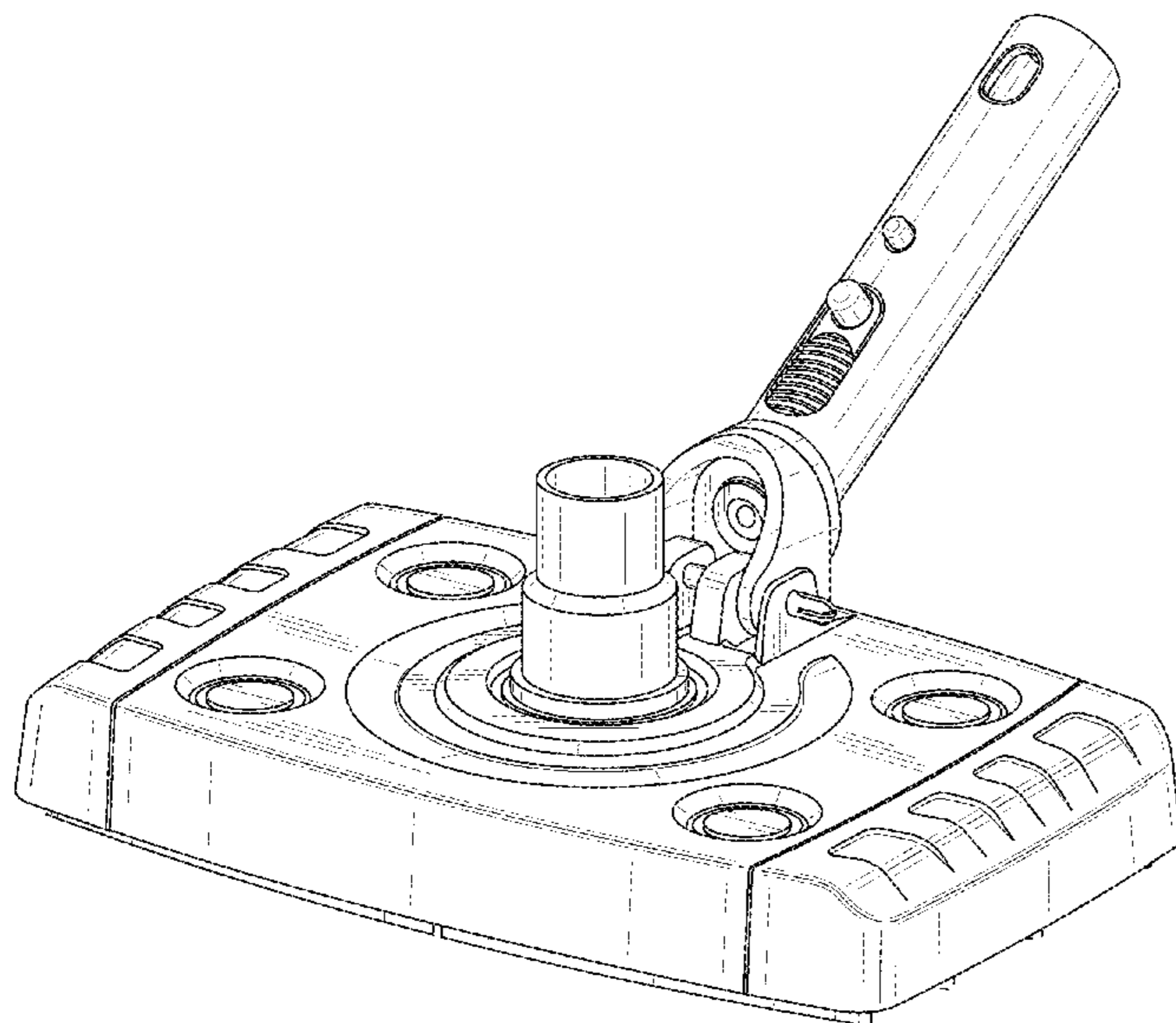
(57) **CLAIM**

The ornamental design for a swimming pool vacuum, as shown and described.

DESCRIPTION

FIG. 1 is a front-right-top perspective view of a first embodiment of a swimming pool vacuum showing my new design; FIG. 2 is a rear-right-bottom perspective view thereof; FIG. 3 is a front elevational view thereof; FIG. 4 is a rear elevational view thereof; FIG. 5 is a left side elevational view thereof; FIG. 6 is a right side elevational view thereof; FIG. 7 is a top plan view thereof; and, FIG. 8 is a bottom plan view thereof. The broken lines illustrate unclaimed portions of the swimming pool vacuum that form no part of the claimed design.

1 Claim, 8 Drawing Sheets



(56)

References Cited

U.S. PATENT DOCUMENTS

D770,108 S * 10/2016 Palladino D32/32
D776,889 S * 1/2017 Yoneda D32/32

* cited by examiner

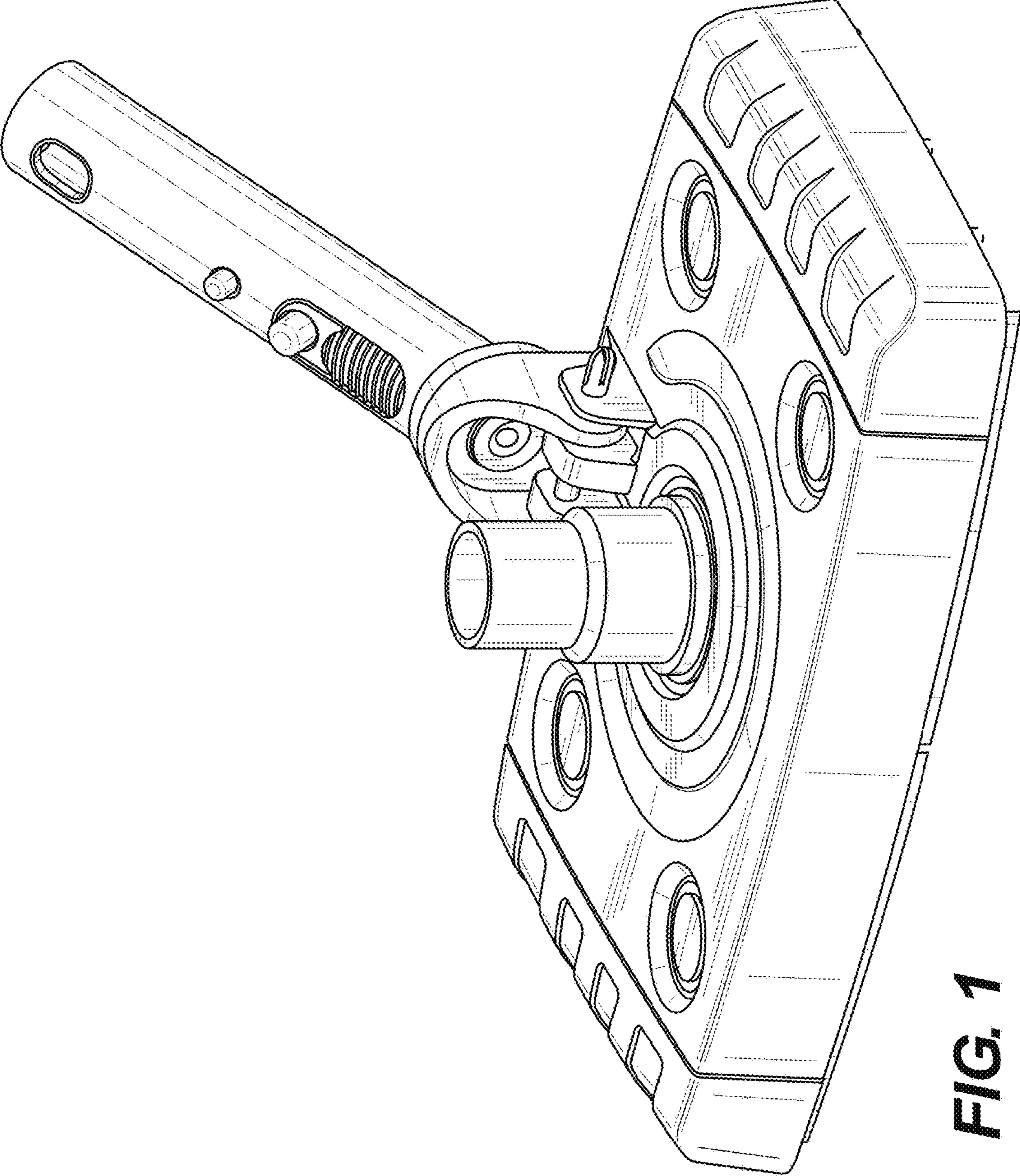


FIG. 1

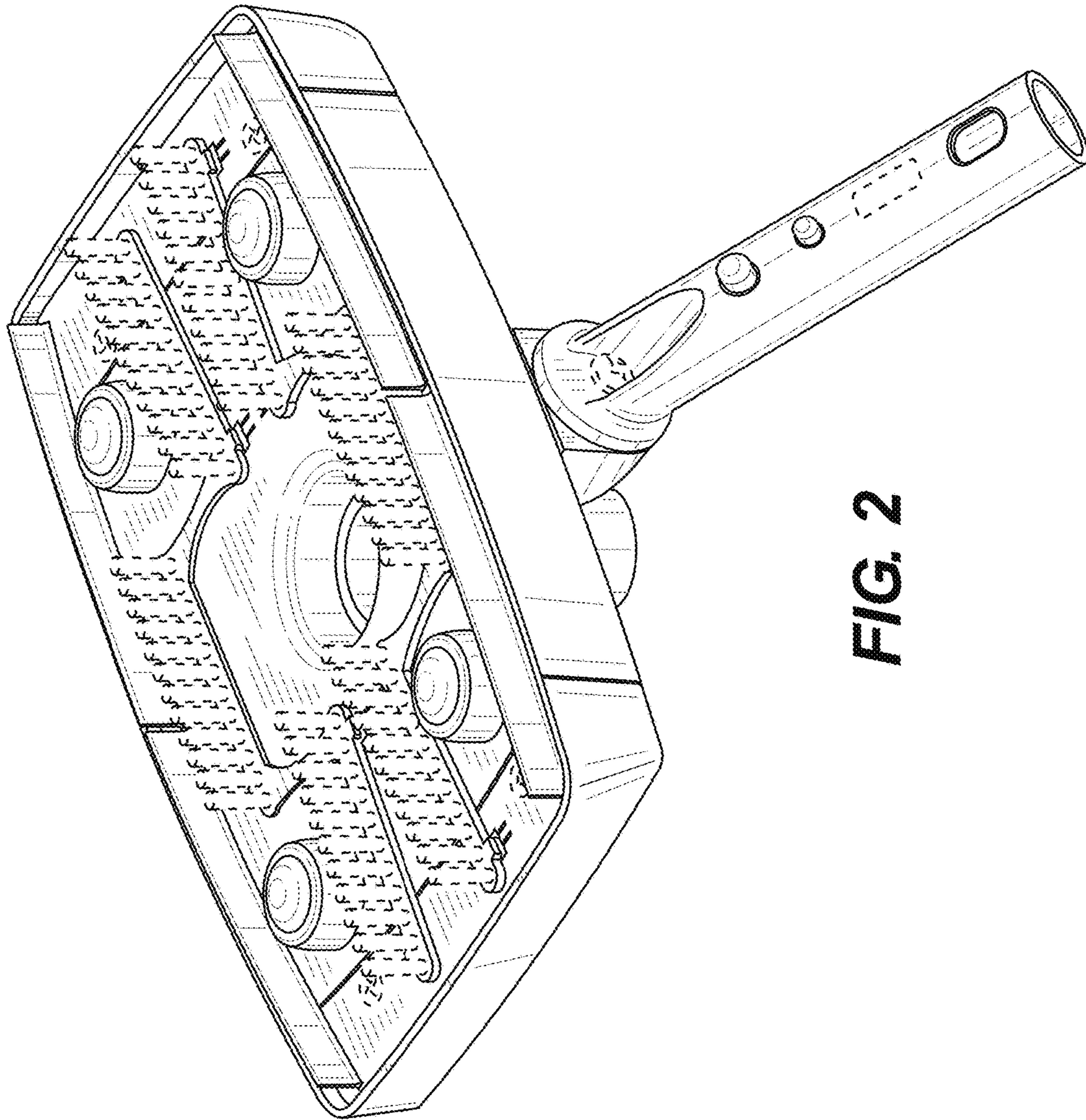


FIG. 2

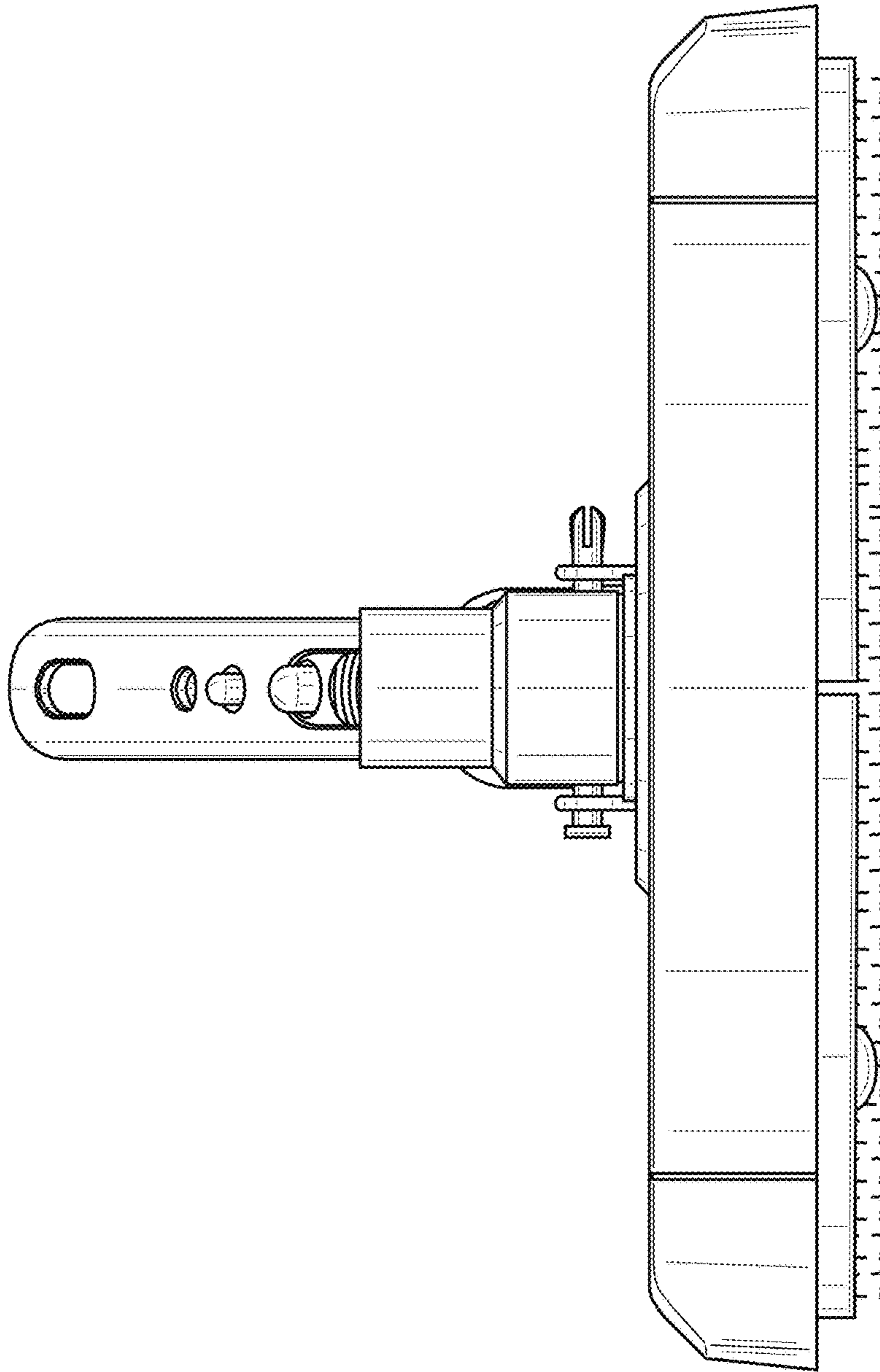


FIG. 3

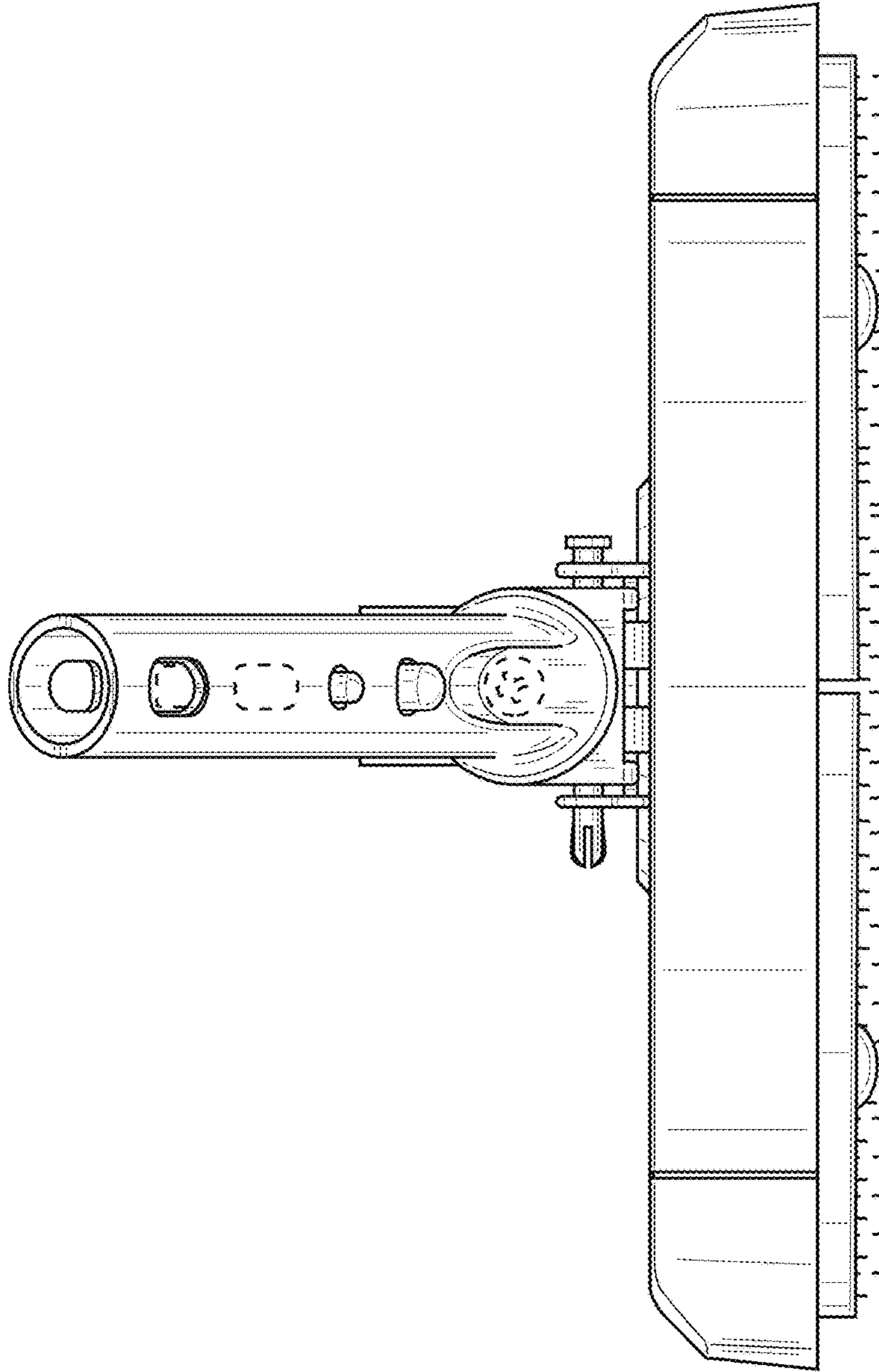


FIG. 4

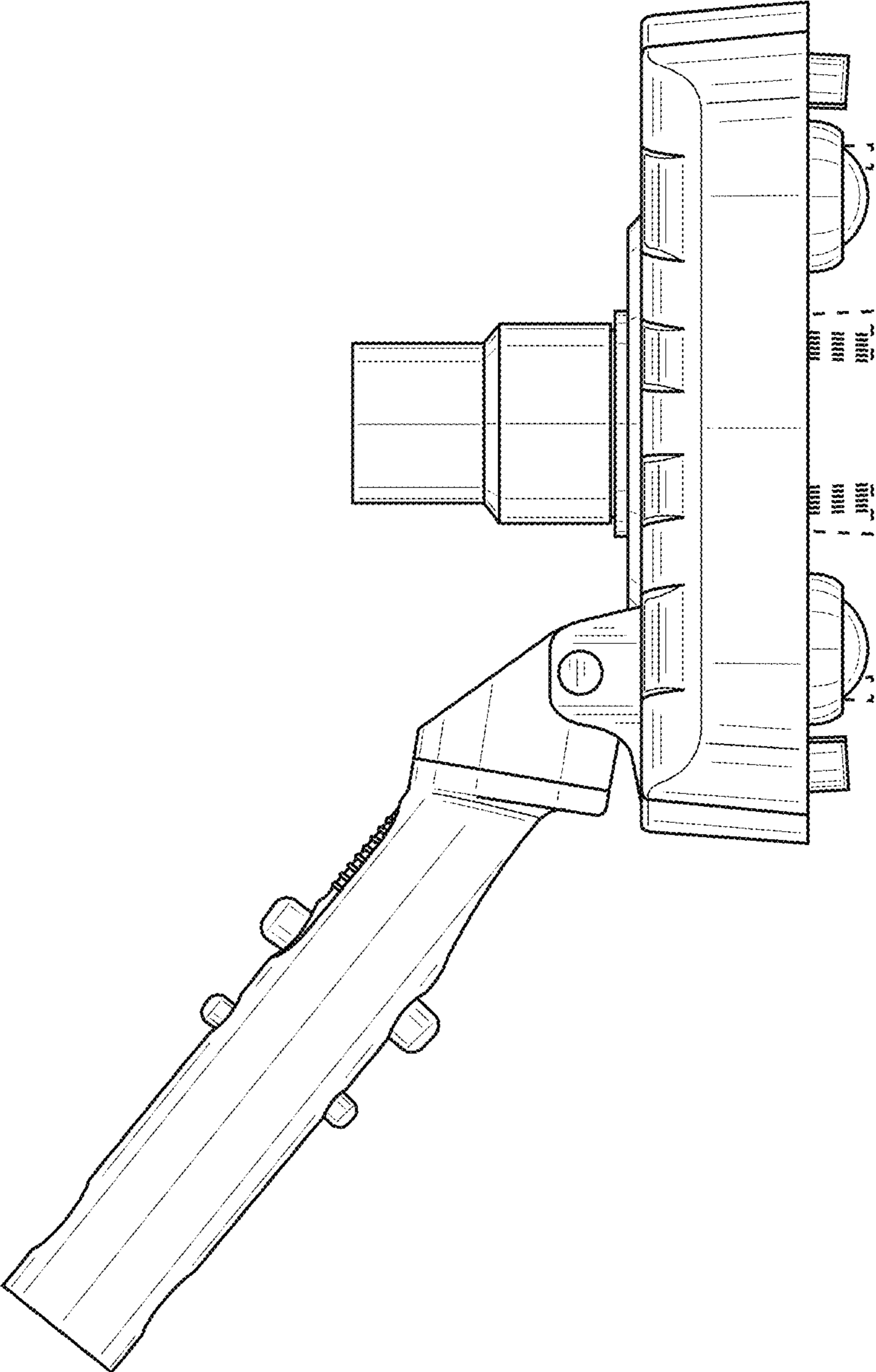


FIG. 5

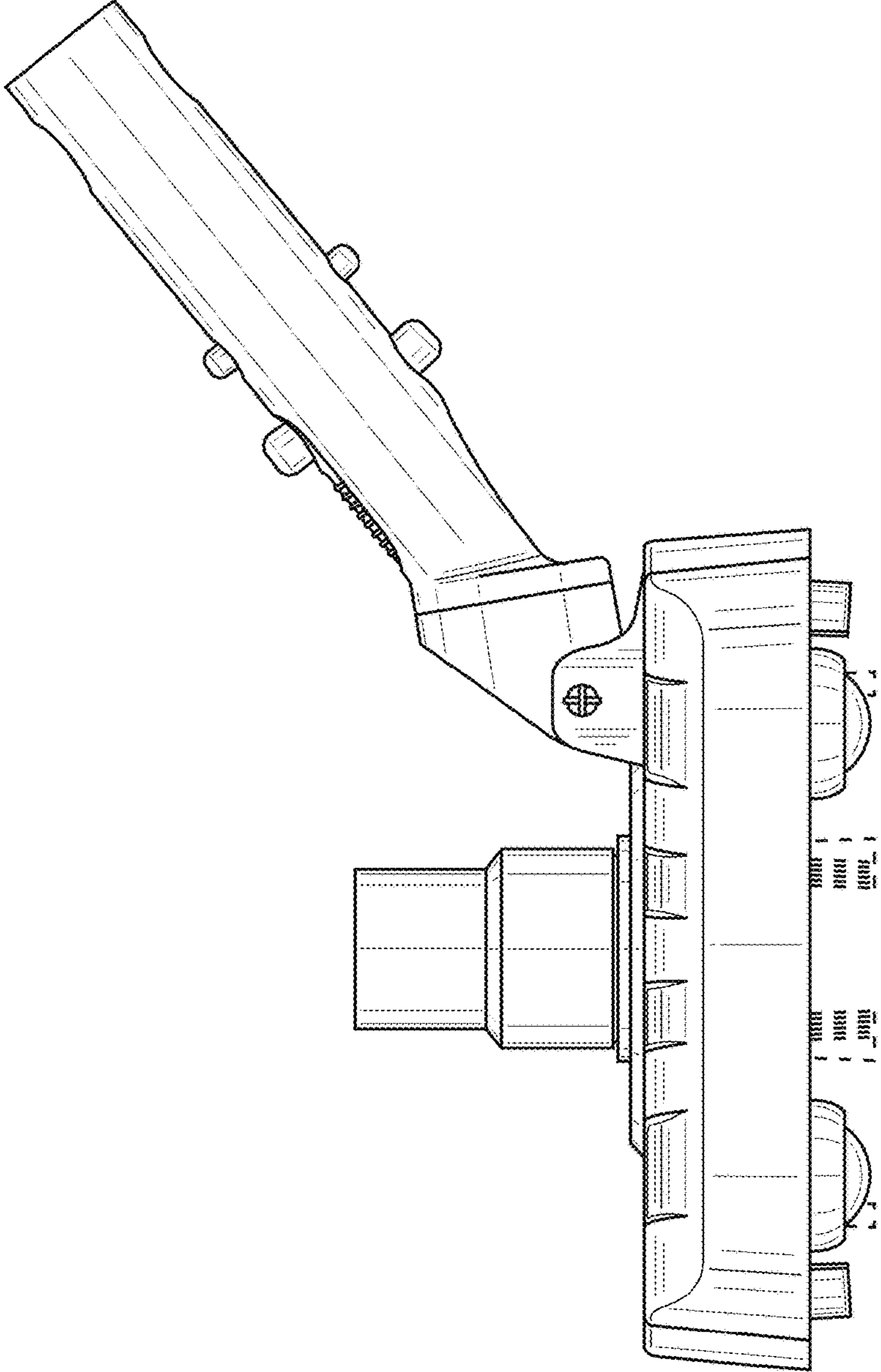


FIG. 6

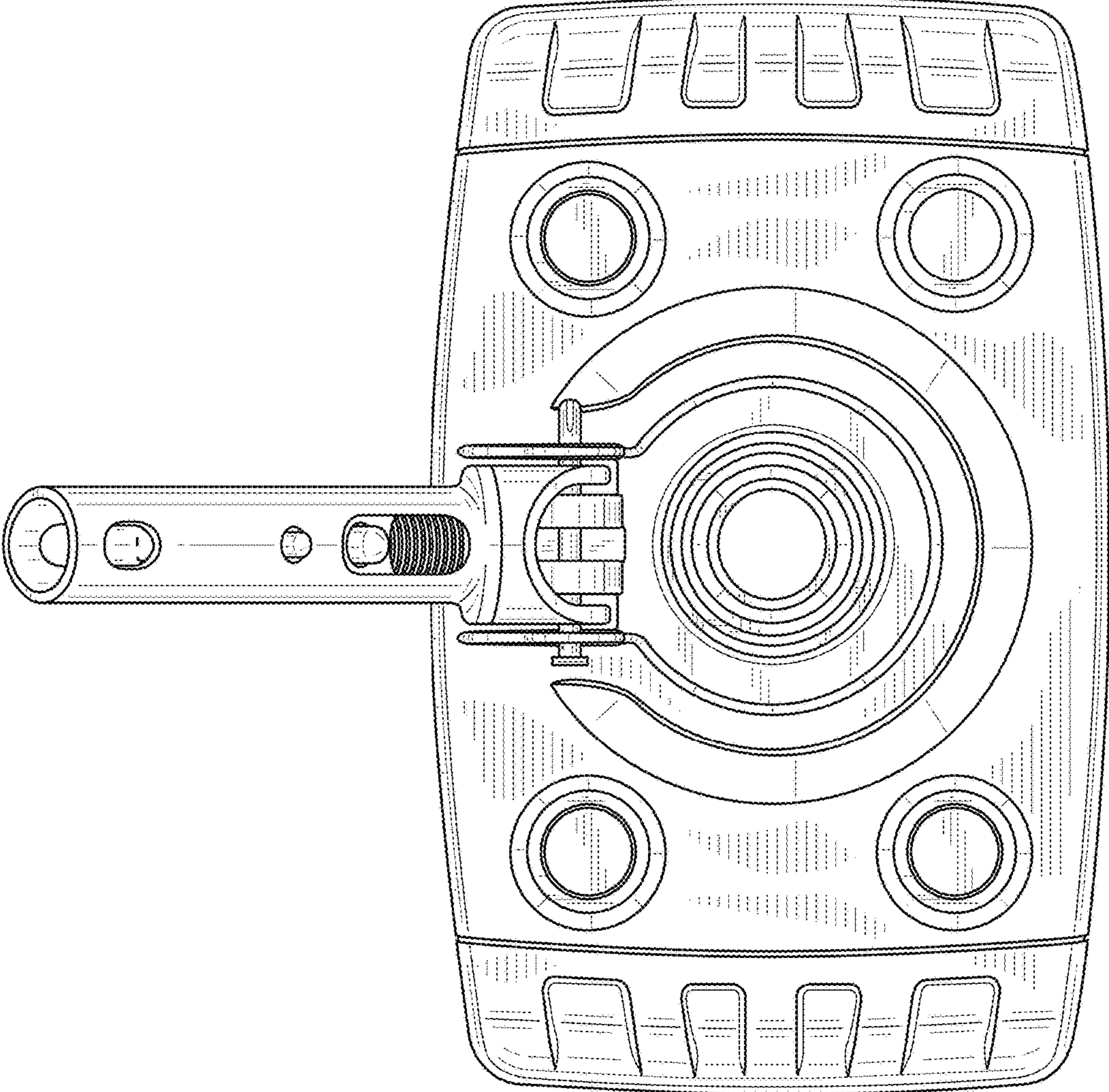


FIG. 7

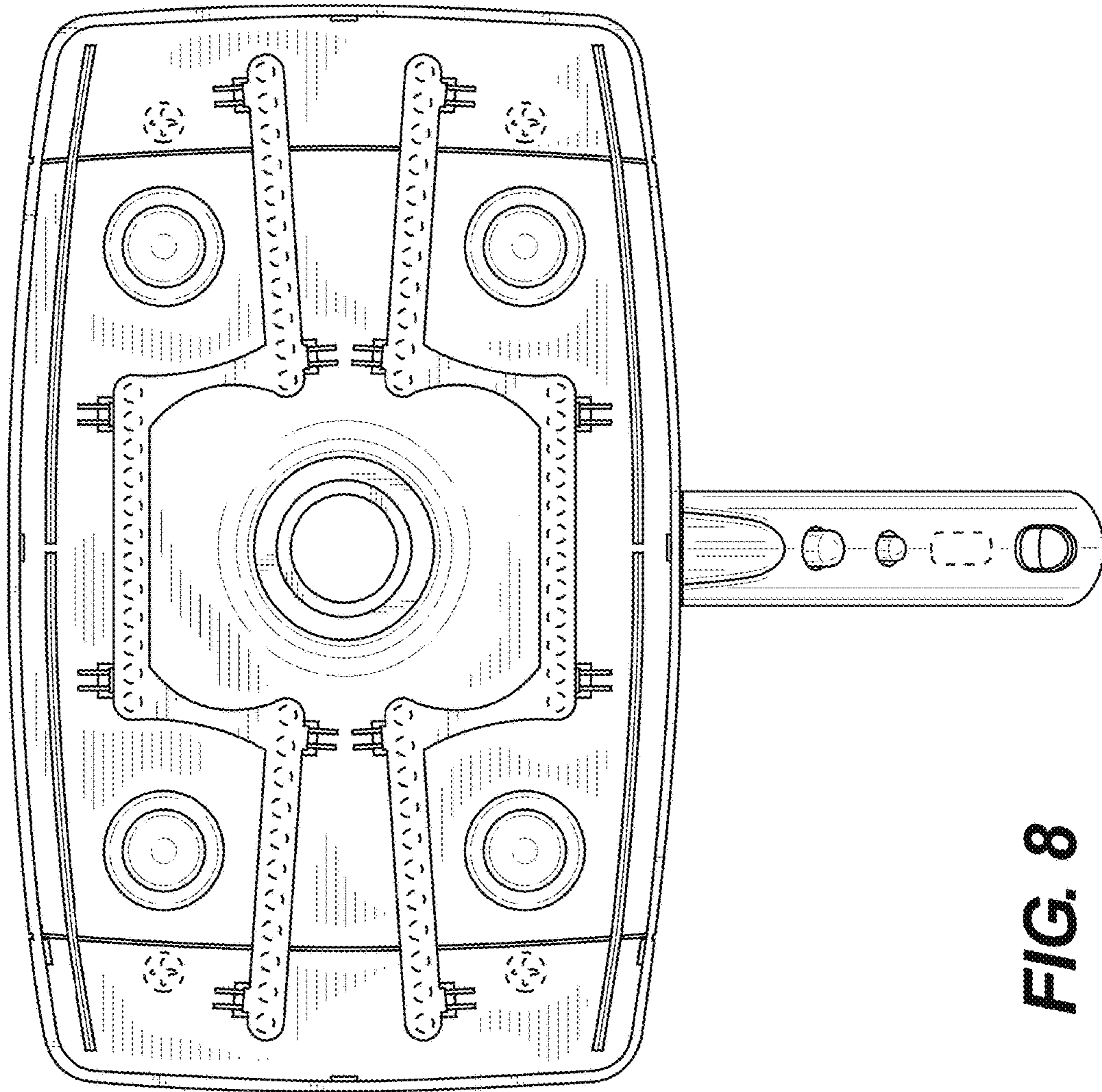


FIG. 8