

US00D796760S

(12) **United States Design Patent**
Tucker

(10) **Patent No.:** **US D796,760 S**

(45) **Date of Patent:** **** Sep. 5, 2017**

- (54) **PART OF A VACUUM CLEANER**
- (71) Applicant: **Dyson Technology Limited**, Wiltshire (GB)
- (72) Inventor: **Matthew Adam Tucker**, Bristol (GB)
- (73) Assignee: **Dyson Technology Limited**, Malmesbury, Wiltshire (GB)
- (**) Term: **15 Years**
- (21) Appl. No.: **29/576,414**
- (22) Filed: **Sep. 2, 2016**
- (30) **Foreign Application Priority Data**
Mar. 4, 2016 (EM) 003013705-0002
- (51) **LOC (10) Cl.** **15-05**
- (52) **U.S. Cl.**
USPC **D32/31; D32/18**
- (58) **Field of Classification Search**
USPC D32/18, 21-22, 31, 34
CPC . A47L 5/24; A47L 5/362; A47L 5/365; A47L 5/28; A47L 5/225; A47L 9/322; A47L 9/325; A47L 9/28; A47L 9/32; A47L 9/327
See application file for complete search history.

- 7,877,837 B2 * 2/2011 Gammack A47L 5/362
15/323
- D640,847 S * 6/2011 Houghton D32/18
- D641,113 S * 7/2011 Choi D32/34
- D668,405 S * 10/2012 Crawley D32/18
- 8,595,895 B2 * 12/2013 Smith A47L 5/24
15/344
- D725,327 S * 3/2015 Houghton D32/18
- D725,852 S * 3/2015 Houghton D32/18
- D726,383 S * 4/2015 Milligan D32/18
- D729,470 S * 5/2015 Choi D32/18
- D730,599 S * 5/2015 Uim D32/18
- 9,055,848 B2 * 6/2015 Liu A47L 5/24
- 9,144,358 B2 * 9/2015 Smith A47L 9/102
- 9,265,395 B2 * 2/2016 Conrad A47L 5/225
- D781,011 S * 3/2017 Bu D32/18

* cited by examiner

Primary Examiner — Ruth McInroy
(74) *Attorney, Agent, or Firm* — Morrison & Foerster LLP

(57) **CLAIM**

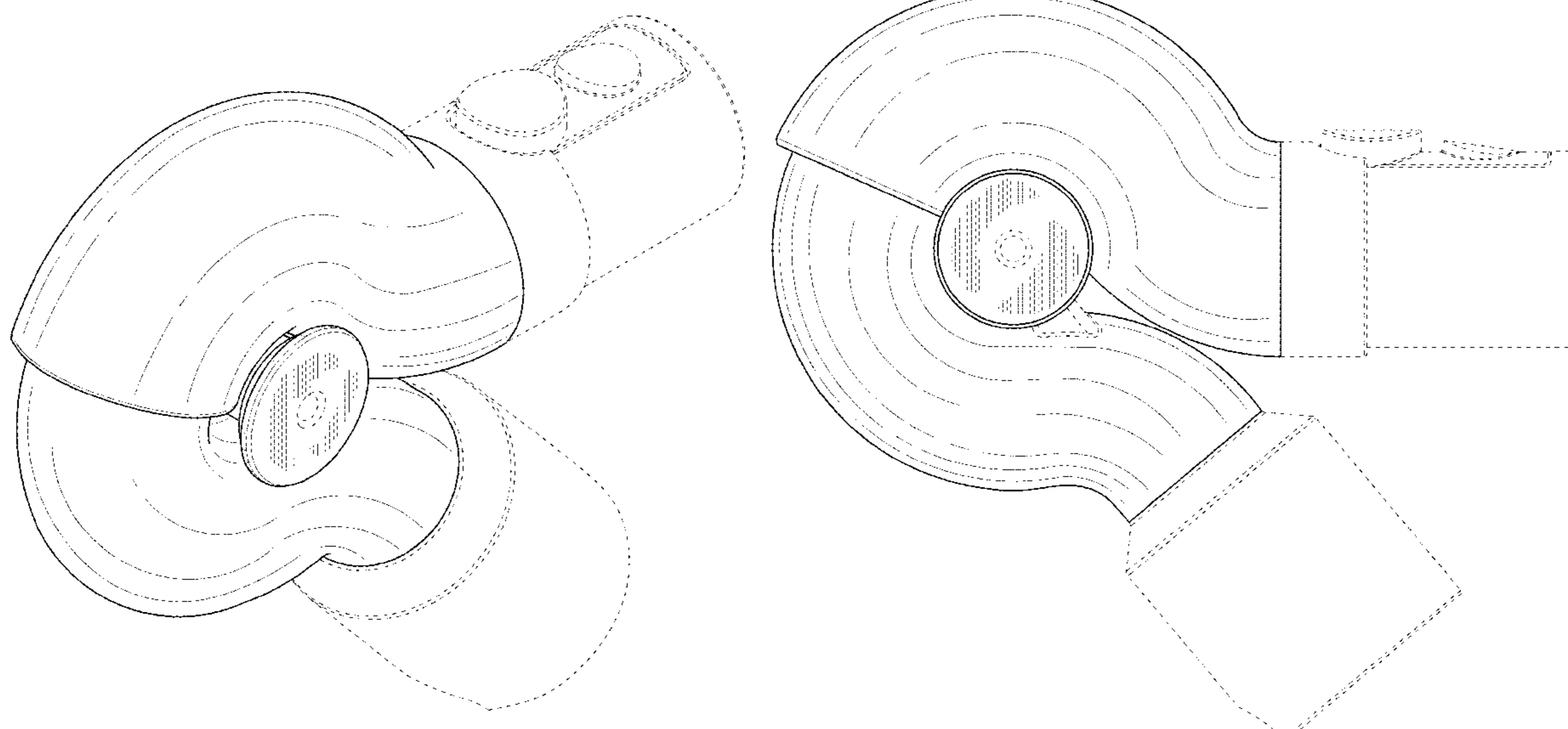
I claim the ornamental design for a part of a vacuum cleaner, as shown and described.

DESCRIPTION

FIG. 1 is a perspective view of a part of a vacuum cleaner showing our new design;
FIG. 2 is a side view thereof;
FIG. 3 is a side view of the opposite side of FIG. 2;
FIG. 4 is a top view thereof;
FIG. 5 is a bottom thereof;
FIG. 6 is a front view thereof; and,
FIG. 7 is a rear view thereof.

The details shown in broken lines form no part of the claimed design.

1 Claim, 5 Drawing Sheets



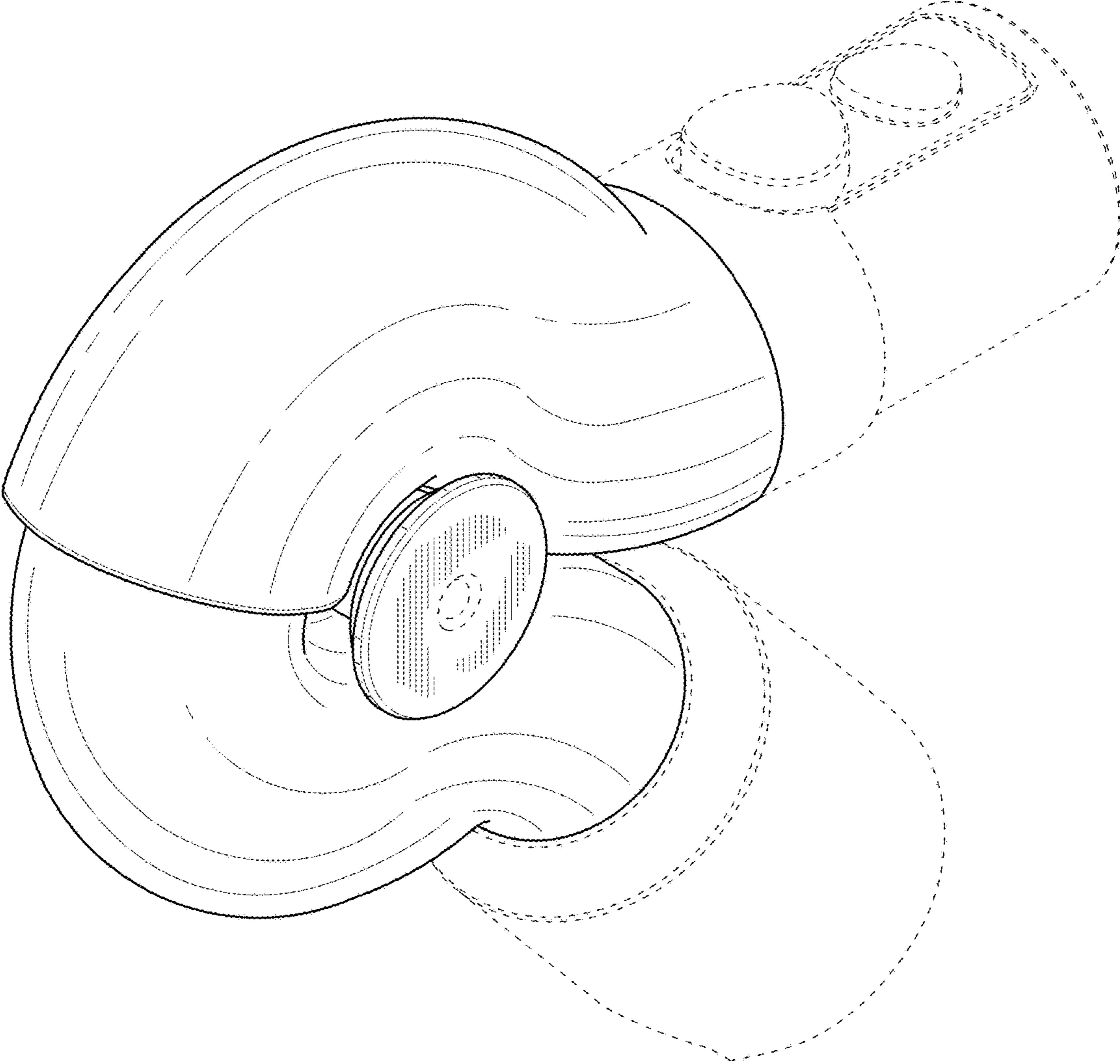


FIG. 1

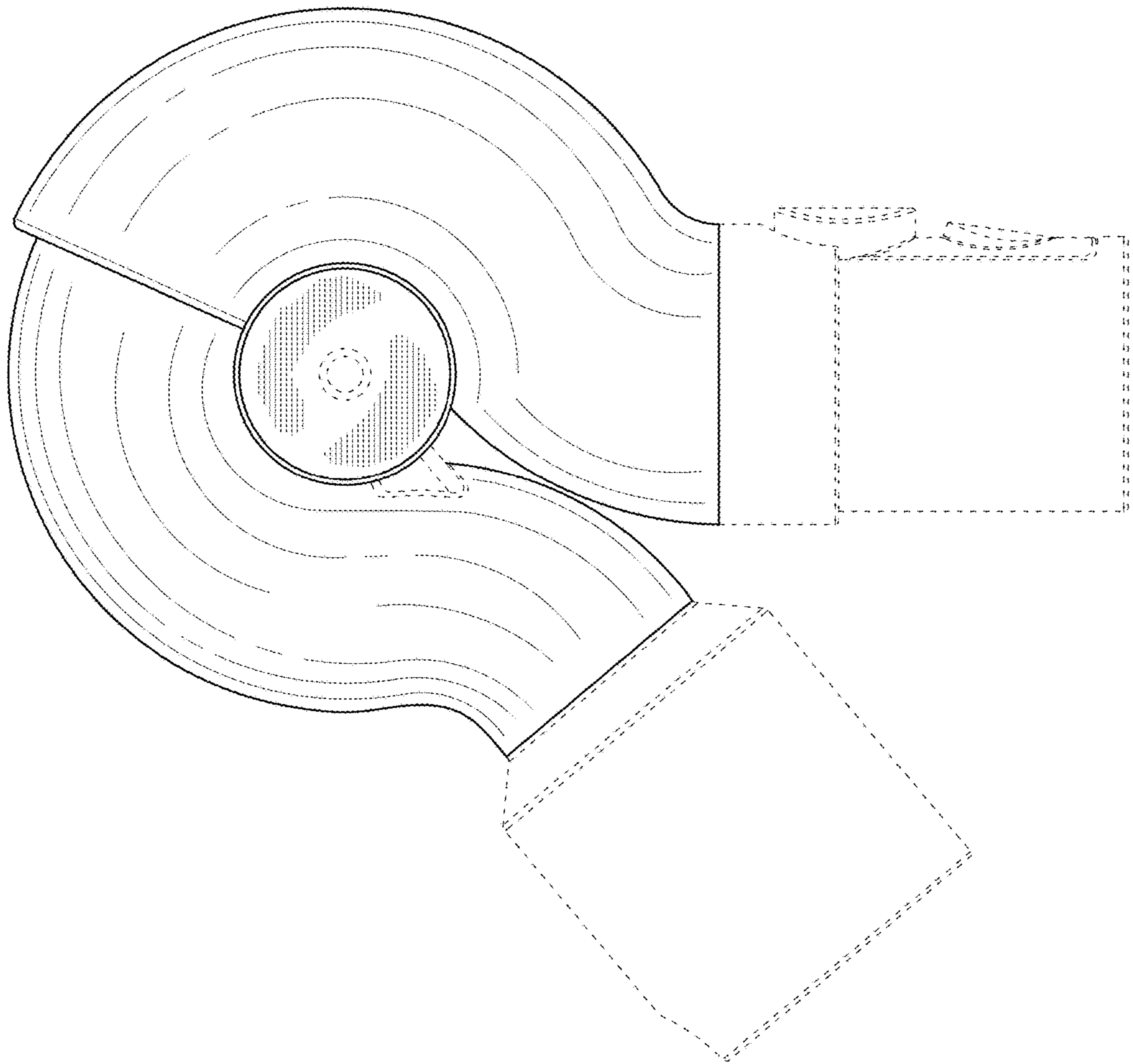


FIG. 2

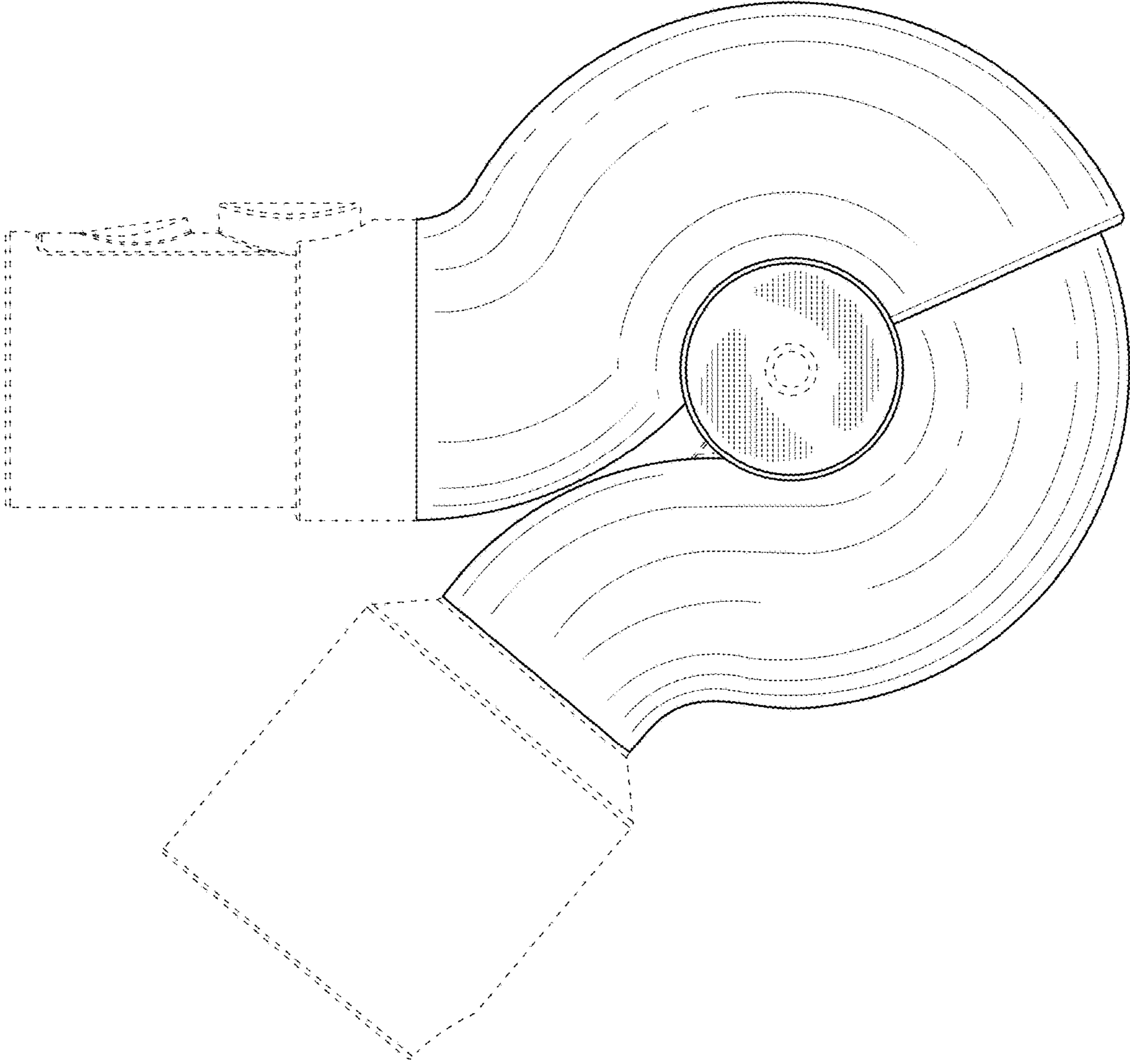


FIG. 3

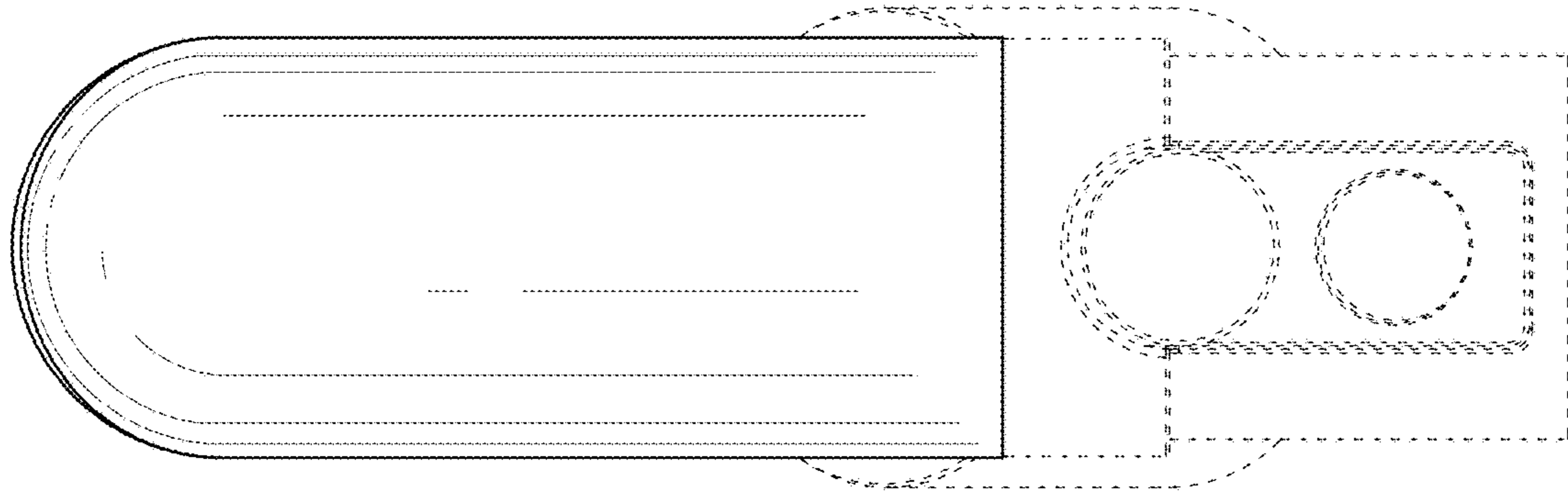


FIG. 4

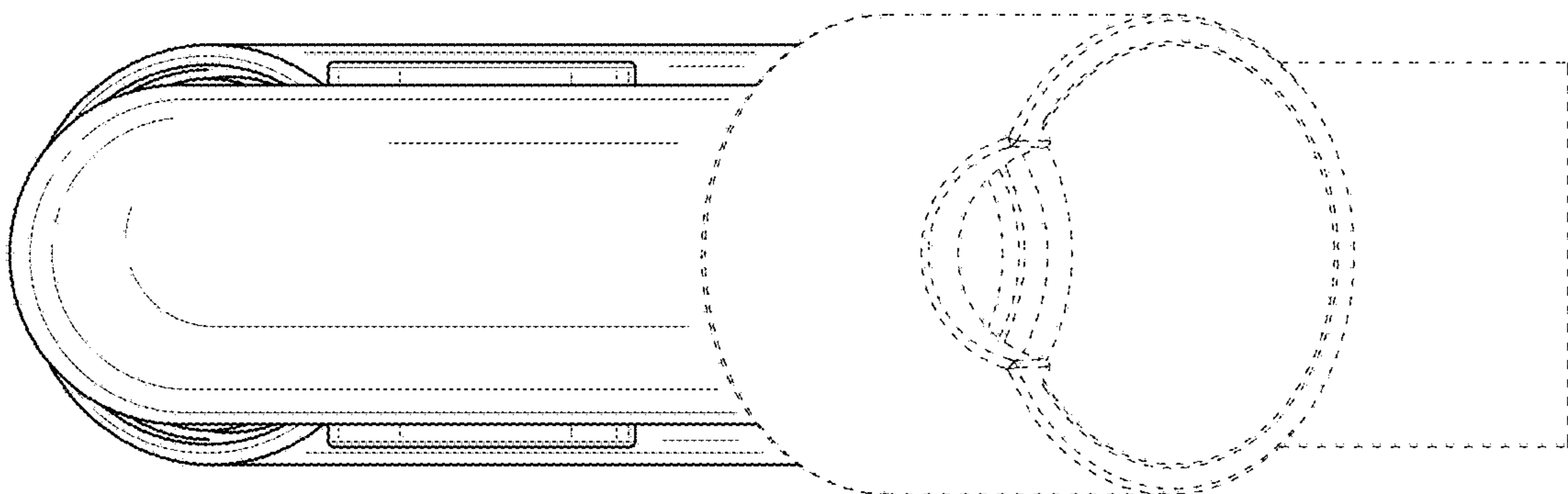


FIG. 5

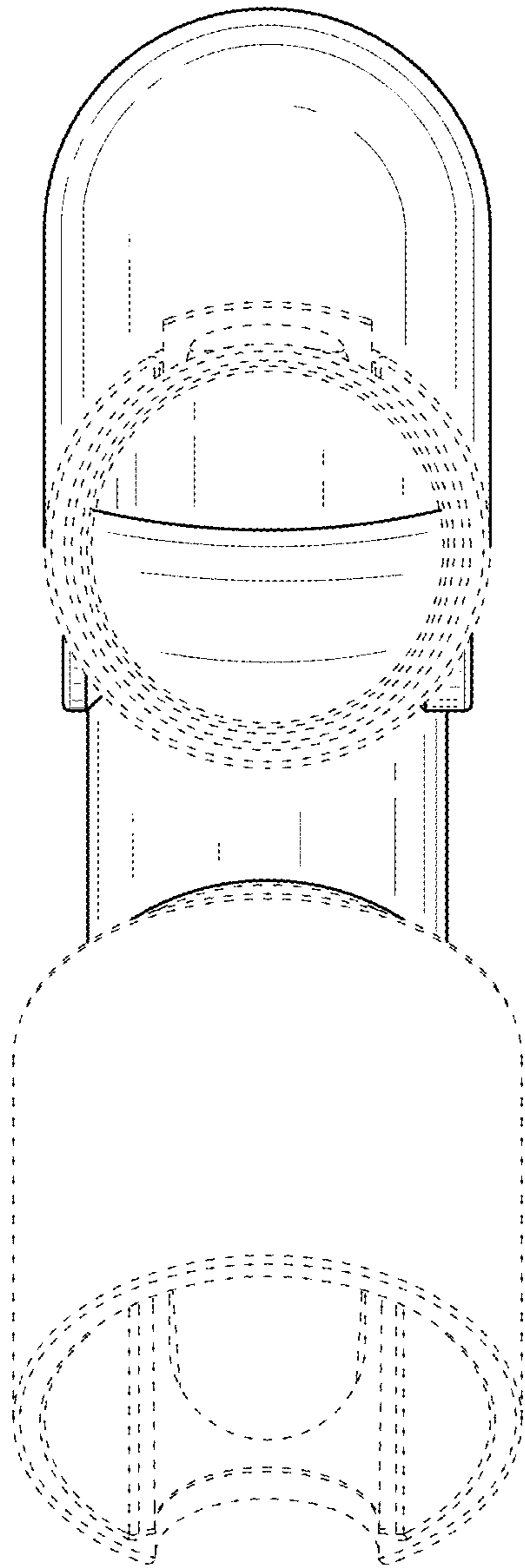


FIG. 6

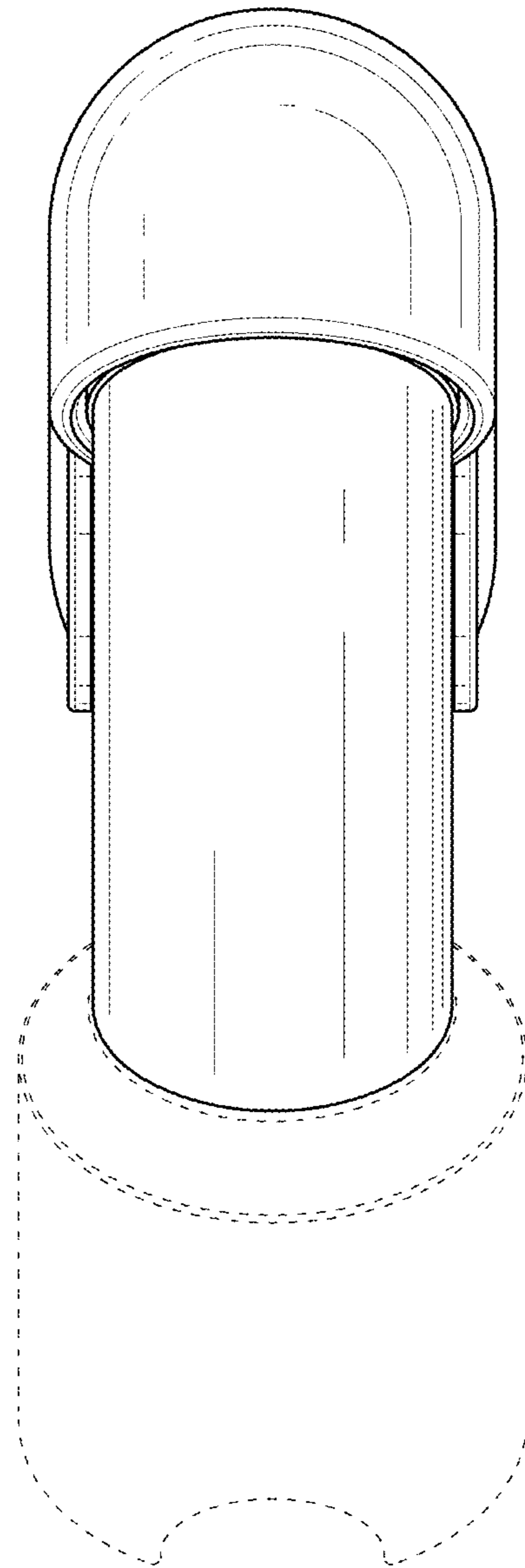


FIG. 7