



US00D796759S

(12) **United States Design Patent**
Tucker

(10) **Patent No.:** **US D796,759 S**

(45) **Date of Patent:** **** Sep. 5, 2017**

- (54) **PART OF A VACUUM CLEANER**
- (71) Applicant: **Dyson Technology Limited**, Wiltshire (GB)
- (72) Inventor: **Matthew Adam Tucker**, Bristol (GB)
- (73) Assignee: **Dyson Technology Limited**, Malmesbury, Wiltshire (GB)
- (**) Term: **15 Years**
- (21) Appl. No.: **29/576,413**
- (22) Filed: **Sep. 2, 2016**

D595,462 S *	6/2009	Crawley	D32/18
7,877,837 B2 *	2/2011	Gammack	A47L 5/362
				15/323
D640,847 S *	6/2011	Houghton	D32/18
D641,113 S *	7/2011	Choi	D32/34
D668,405 S *	10/2012	Crawley	D32/18
8,595,895 B2 *	12/2013	Smith	A47L 5/24
				15/344
D725,327 S *	3/2015	Houghton	D32/18
D725,852 S *	3/2015	Houghton	D32/18
D726,383 S *	4/2015	Milligan	D32/18
D729,470 S *	5/2015	Choi	D32/18
D730,599 S *	5/2015	Uim	D32/18
9,055,848 B2 *	6/2015	Liu	A47L 5/24
9,144,358 B2 *	9/2015	Smith	A47L 9/102
9,265,395 B2 *	2/2016	Conrad	A47L 5/225
D781,011 S *	3/2017	Bu	D32/18

(30) **Foreign Application Priority Data**

Mar. 4, 2016 (EM) 003013705-0001

(51) **LOC (10) Cl.** **15-05**

(52) **U.S. Cl.**
USPC **D32/31; D32/18**

(58) **Field of Classification Search**
USPC D32/18, 21-22, 31, 34
CPC . A47L 5/24; A47L 5/362; A47L 5/365; A47L 5/28; A47L 5/225; A47L 9/322; A47L 9/325; A47L 9/28; A47L 9/32; A47L 9/327

See application file for complete search history.

(56) **References Cited**

U.S. PATENT DOCUMENTS

D522,191 S *	5/2006	Erlich	D32/18
D552,309 S *	10/2007	Houghton	D32/18
7,370,387 B2 *	5/2008	Walker	A47L 5/24
				15/344

* cited by examiner

Primary Examiner — Ruth McInroy

(74) *Attorney, Agent, or Firm* — Morrison & Foerster LLP

(57) **CLAIM**

I claim the ornamental design for a part of a vacuum cleaner, as shown and described.

DESCRIPTION

FIG. 1 is a perspective view of a part of a vacuum cleaner showing our new design;

FIG. 2 is a side view thereof;

FIG. 3 is a side view of the opposite side of FIG. 2;

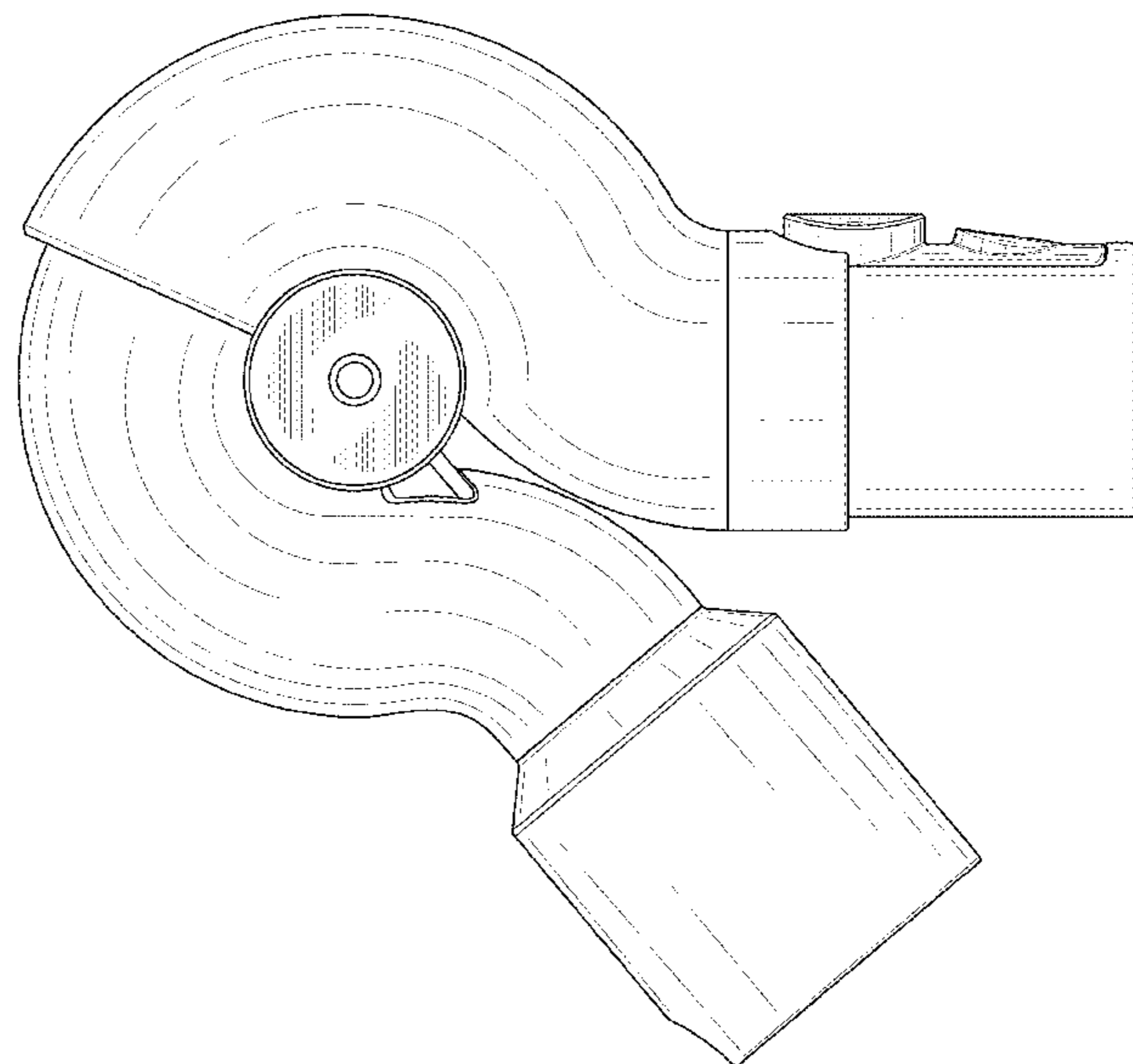
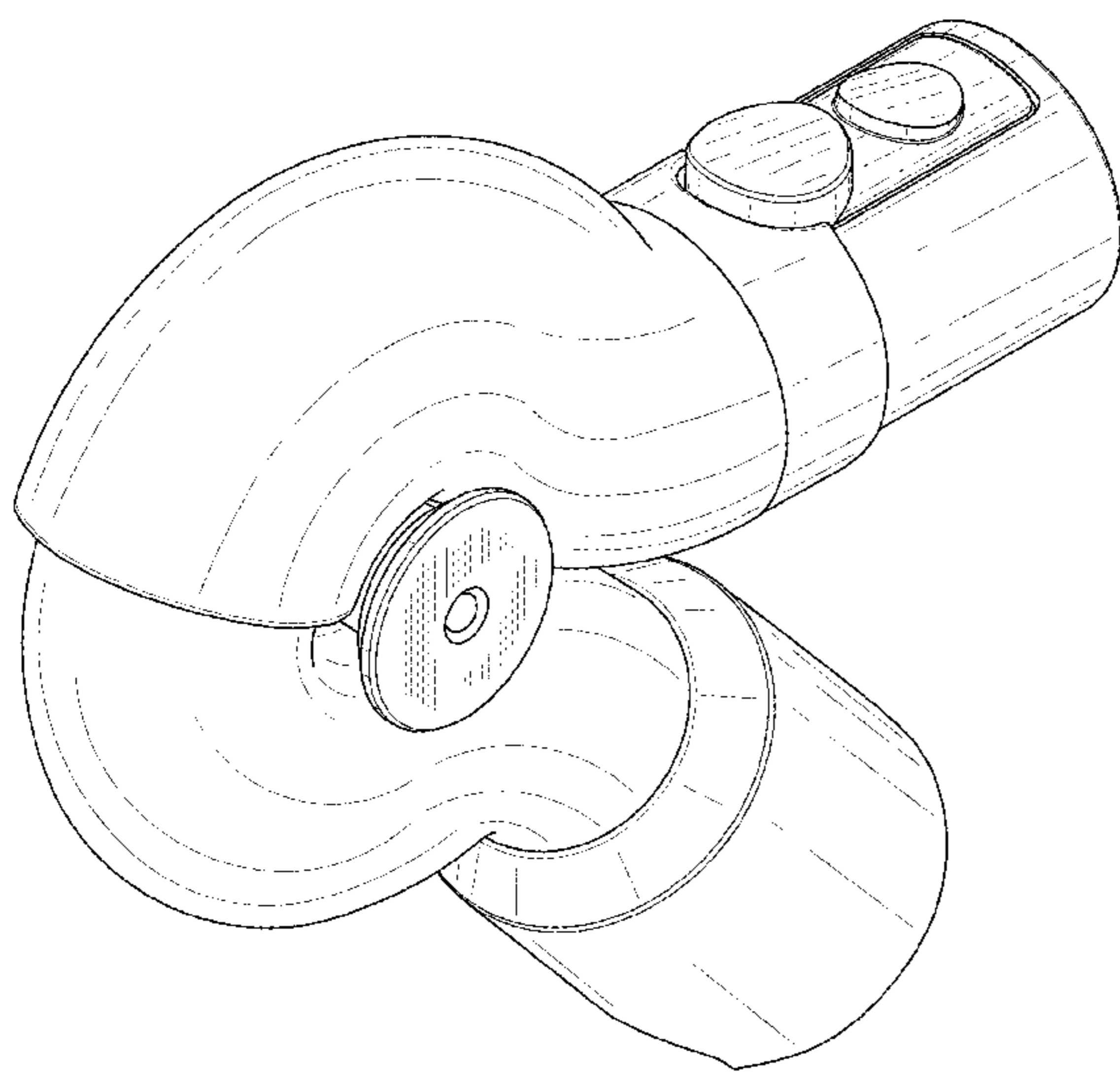
FIG. 4 is a top view thereof;

FIG. 5 is a bottom thereof;

FIG. 6 is a front view thereof; and,

FIG. 7 is a rear view thereof.

1 Claim, 5 Drawing Sheets



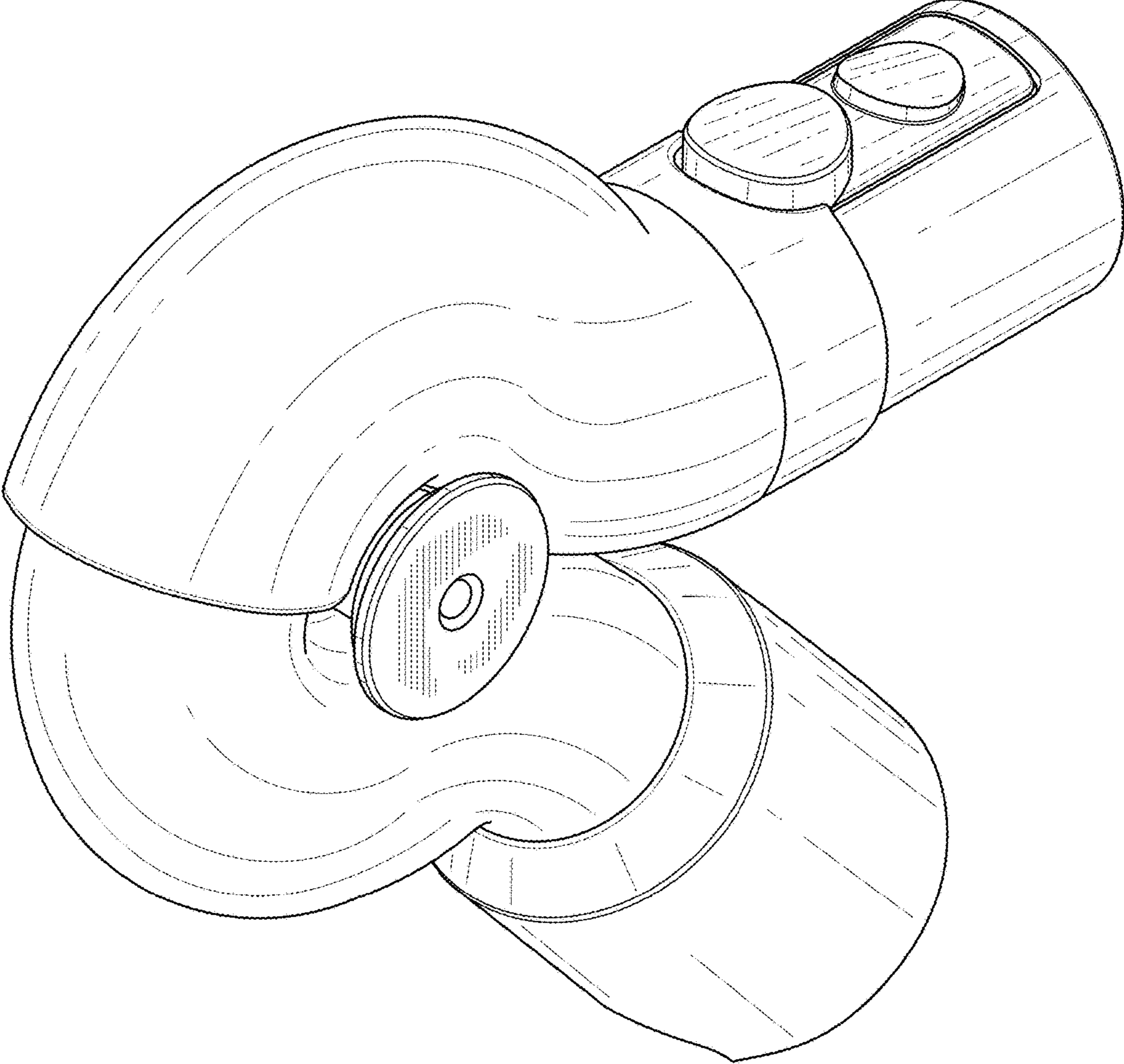


FIG. 1

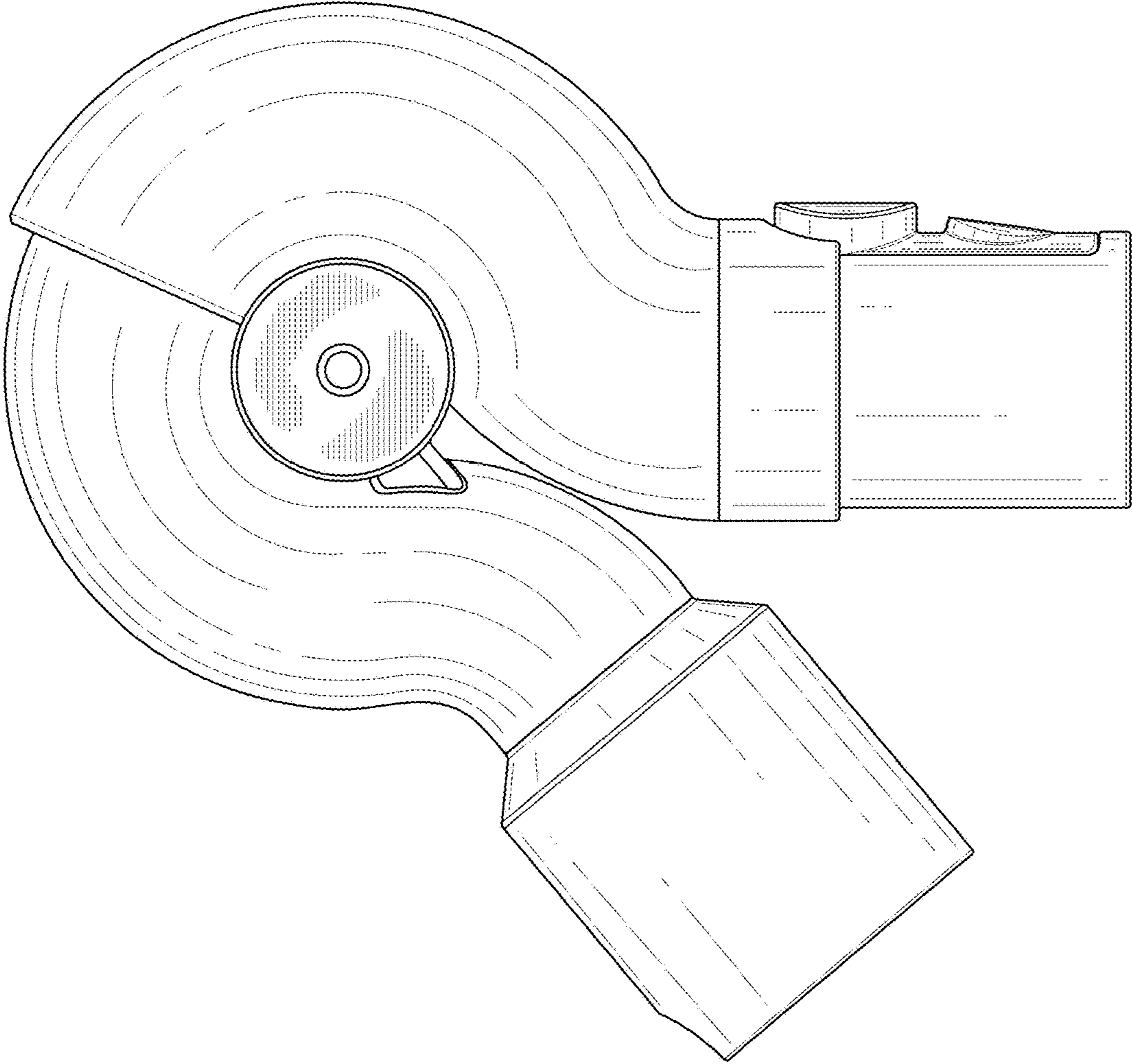


FIG. 2

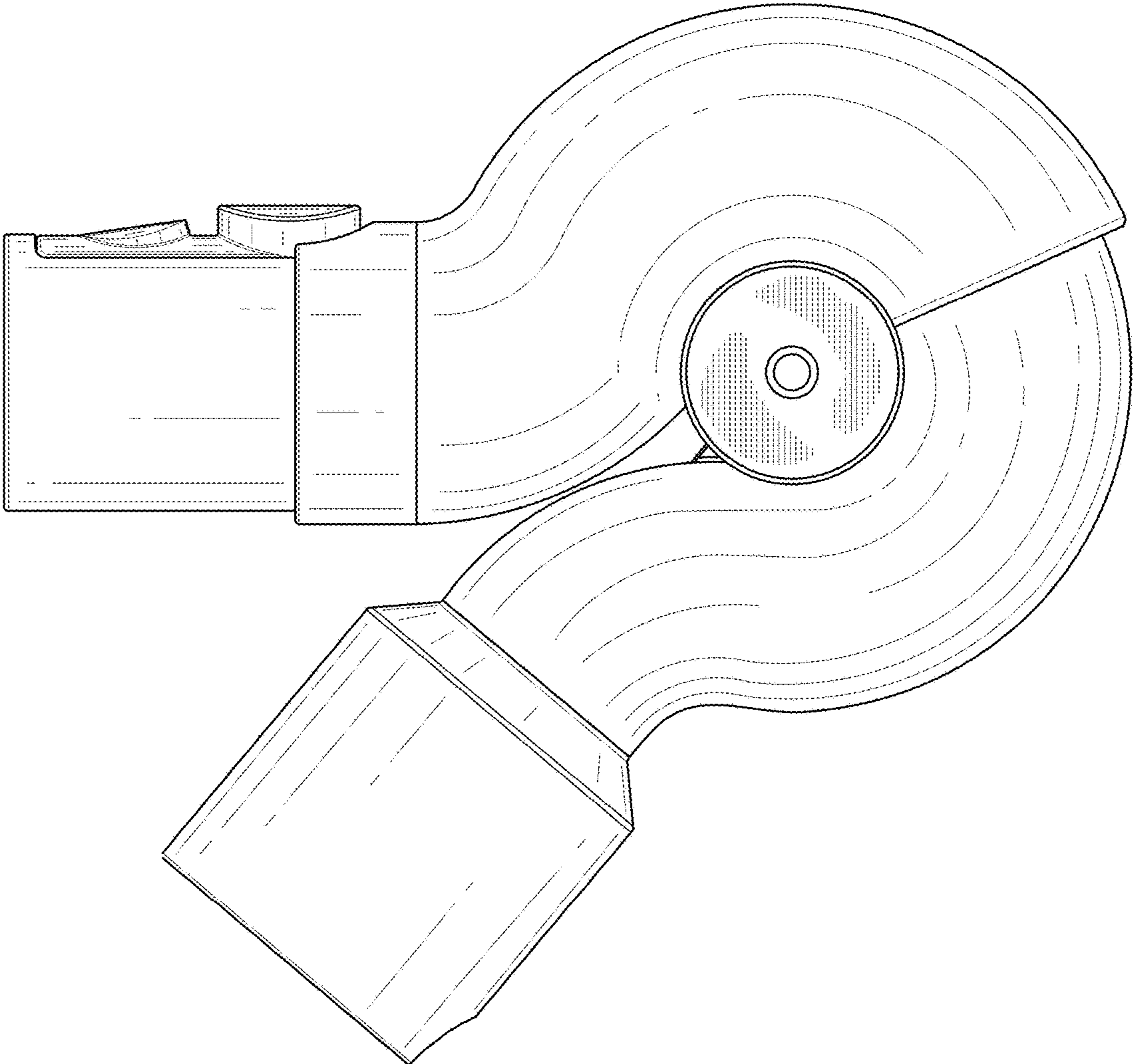


FIG. 3

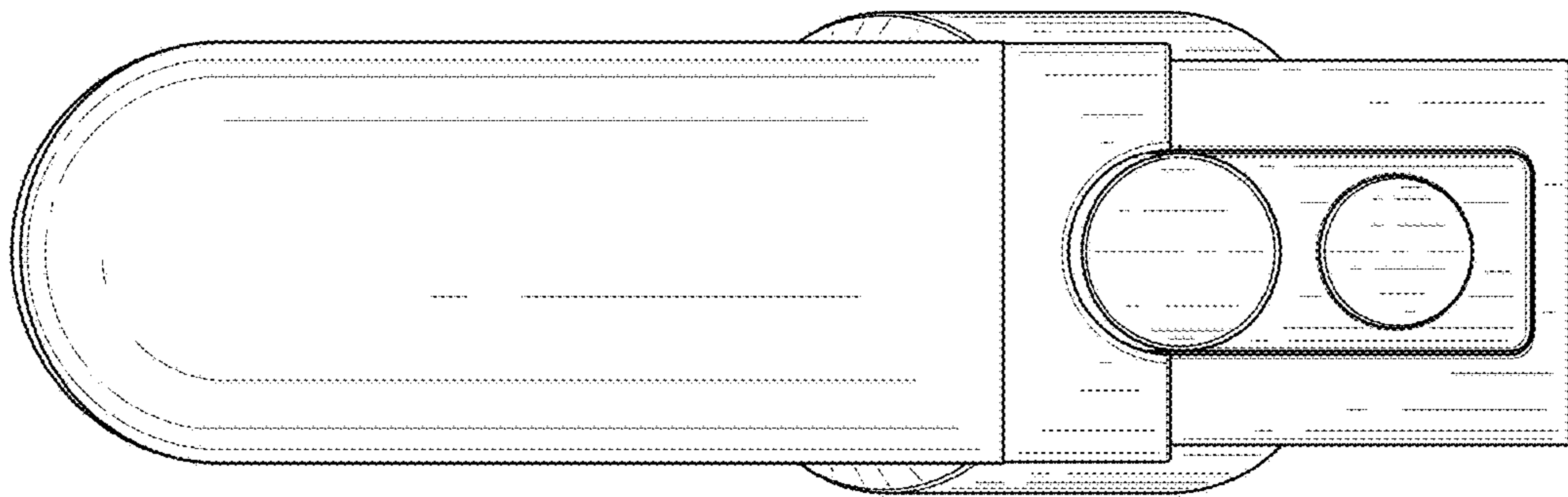


FIG. 4

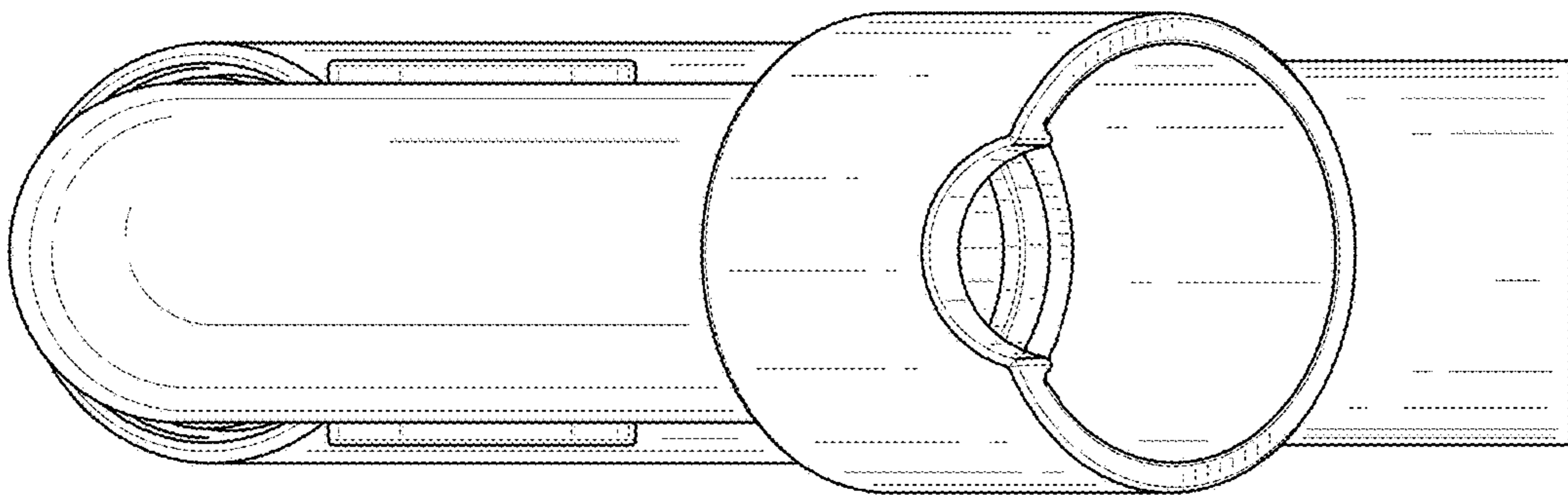


FIG. 5

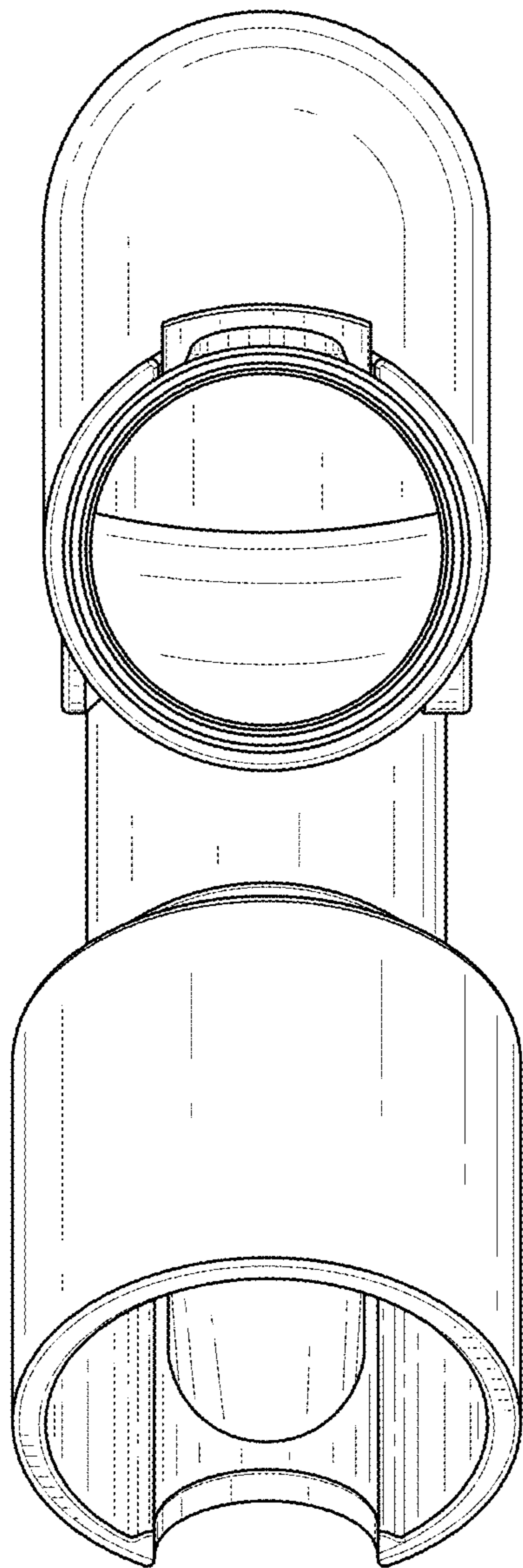


FIG. 6

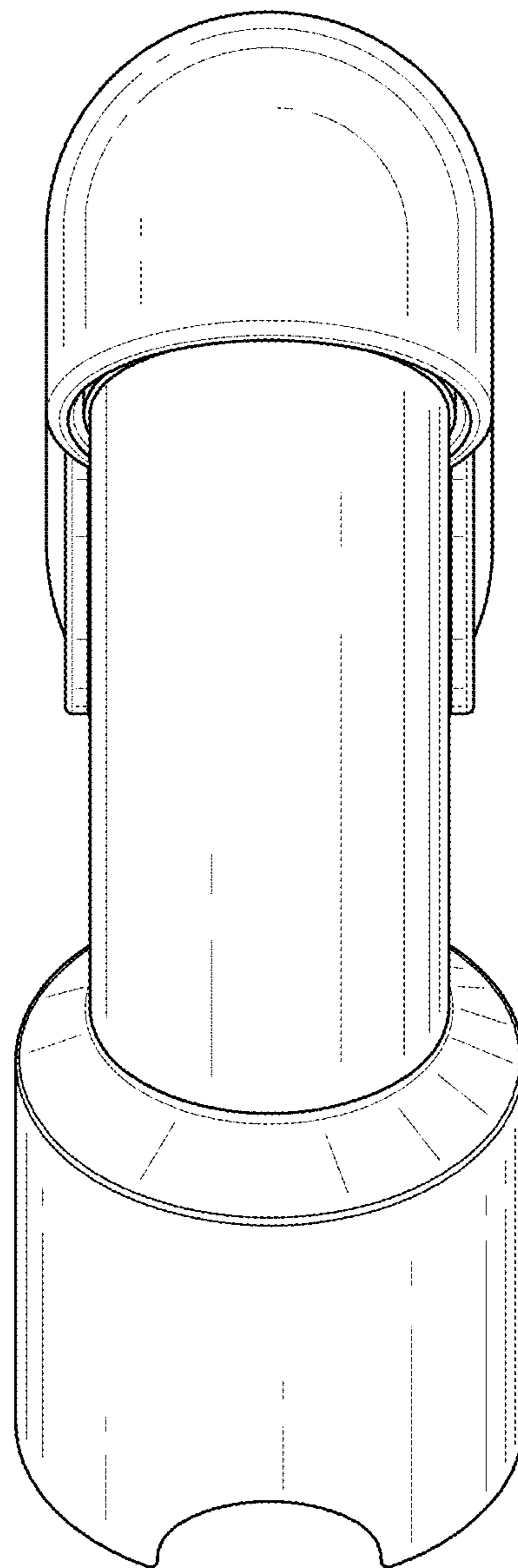


FIG. 7