



US00D796756S

(12) **United States Design Patent**  
**Niedzwecki et al.**

(10) **Patent No.:** **US D796,756 S**

(45) **Date of Patent:** **\*\* Sep. 5, 2017**

(54) **STEAM APPARATUS**

(71) Applicant: **SharkNinja Operating LLC**, Newton, MA (US)

(72) Inventors: **Scott Benjamin Niedzwecki**, Walpole, MA (US); **Junghwan Chei**, Chestnut Hill, MA (US); **Dan Innes**, Newton Center, MA (US)

(73) Assignee: **SHARKNINJA OPERATING LLC**, Newton, ME (US)

(\*\*) Term: **15 Years**

(21) Appl. No.: **29/566,097**

(22) Filed: **May 26, 2016**

(51) **LOC (10) Cl.** ..... **15-05**

(52) **U.S. Cl.**  
USPC ..... **D32/22**

(58) **Field of Classification Search**  
USPC ..... D32/17–18, 22, 31, 34, 45, 50–51;  
D8/374, 323, 325  
CPC ..... A47L 5/24; A47L 5/28; A47L 5/34; A47L  
7/0038; A47L 9/325; A47L 9/02; A47L  
11/34; A47L 11/4086; A47L 13/26; A47L  
13/225; A47L 13/22; B08B 9/0323; A23C  
3/031

See application file for complete search history.

(56) **References Cited**

U.S. PATENT DOCUMENTS

D307,656 S \* 5/1990 Yuen ..... D32/22  
D608,962 S \* 1/2010 Reese ..... D32/22  
D656,283 S \* 3/2012 Lavy ..... D32/45

(Continued)

*Primary Examiner* — Ruth McInroy

(74) *Attorney, Agent, or Firm* — Ntellect Law, P.C.

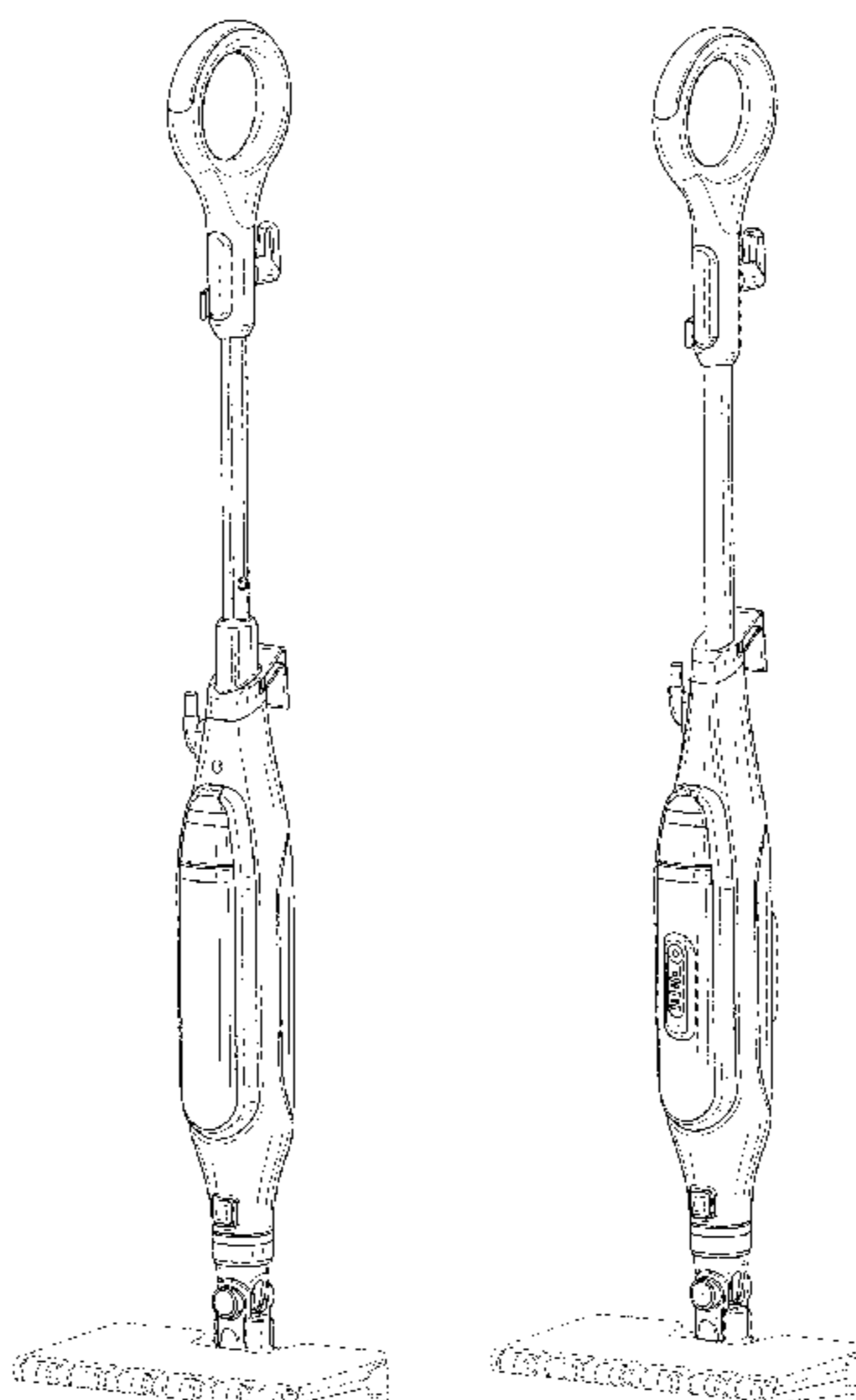
(57) **CLAIM**

The ornamental design for a steam apparatus, as shown and described.

**DESCRIPTION**

FIG. 1 is a perspective view of a first embodiment of a steam apparatus in accordance with our design; FIG. 2 is a front view of the first embodiment of the steam apparatus in accordance with our design; FIG. 3 is a back view of the first embodiment of the steam apparatus in accordance with our design; FIG. 4 is a first side view of the first embodiment of the steam apparatus in accordance with our design; FIG. 5 is a second side view of the first embodiment of the steam apparatus in accordance with our design; FIG. 6 is a top view of the first embodiment of the steam apparatus in accordance with our design; and FIG. 7 is a perspective view of a second embodiment of a steam apparatus in accordance with our design; FIG. 8 is a front view of the second embodiment of the steam apparatus in accordance with our design; FIG. 9 is a back view of the second embodiment of the steam apparatus in accordance with our design; FIG. 10 is a first side view of the second embodiment of the steam apparatus in accordance with our design; FIG. 11 is a second side view of the second embodiment of the steam apparatus in accordance with our design; FIG. 12 is a top view of the second embodiment of the steam apparatus in accordance with our design; and FIG. 13 is a perspective view of a third embodiment of a steam apparatus in accordance with our design; FIG. 14 is a front view of the third embodiment of the steam apparatus in accordance with our design; FIG. 15 is a back view of the third embodiment of the steam apparatus in accordance with our design; FIG. 16 is a first side view of the third embodiment of the steam apparatus in accordance with our design; FIG. 17 is a second side view of the third embodiment of the steam apparatus in accordance with our design; and FIG. 18 is a top view of the third embodiment of the steam apparatus in accordance with our design.

**1 Claim, 18 Drawing Sheets**



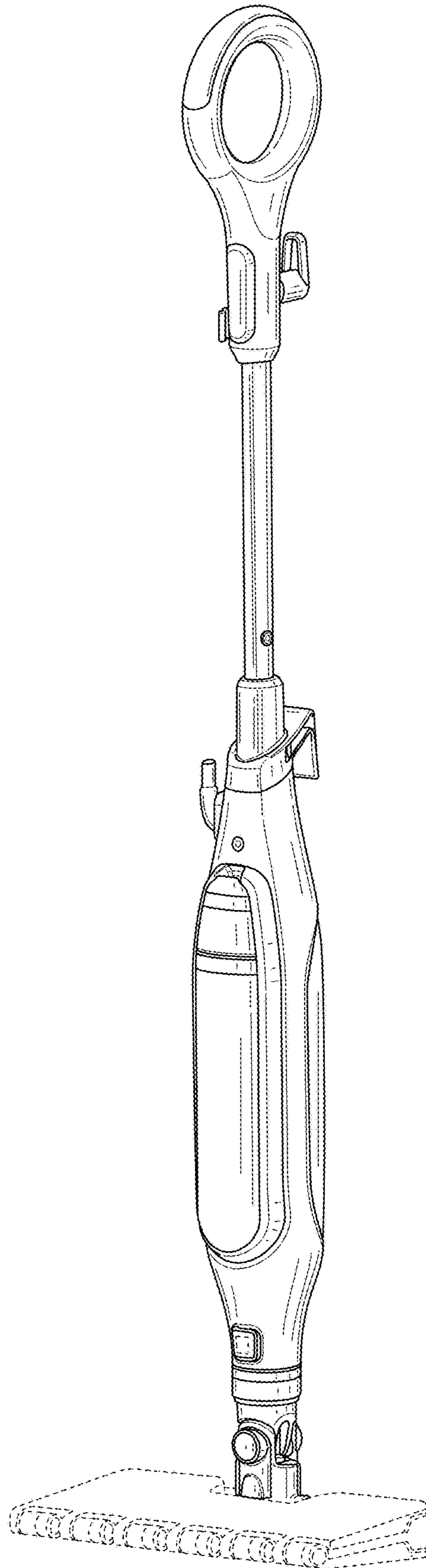
(56)

**References Cited**

U.S. PATENT DOCUMENTS

|                   |         |                  |             |
|-------------------|---------|------------------|-------------|
| D664,314 S *      | 7/2012  | Li .....         | D32/17      |
| D673,337 S *      | 12/2012 | Chow .....       | D32/45      |
| D711,058 S *      | 8/2014  | Crawley .....    | D32/45      |
| D764,732 S *      | 8/2016  | Chei .....       | D32/45      |
| D765,332 S *      | 8/2016  | Niedzwecki ..... | D32/45      |
| D766,527 S *      | 9/2016  | Niedzwecki ..... | D32/45      |
| 2014/0076368 A1 * | 3/2014  | Hansen .....     | A47L 13/16  |
|                   |         |                  | 134/105     |
| 2015/0230683 A1 * | 8/2015  | Pears .....      | A47L 13/225 |
|                   |         |                  | 15/320      |
| 2016/0374533 A1 * | 12/2016 | Innes .....      | A47L 13/22  |
|                   |         |                  | 15/319      |

\* cited by examiner



**FIG. 1**

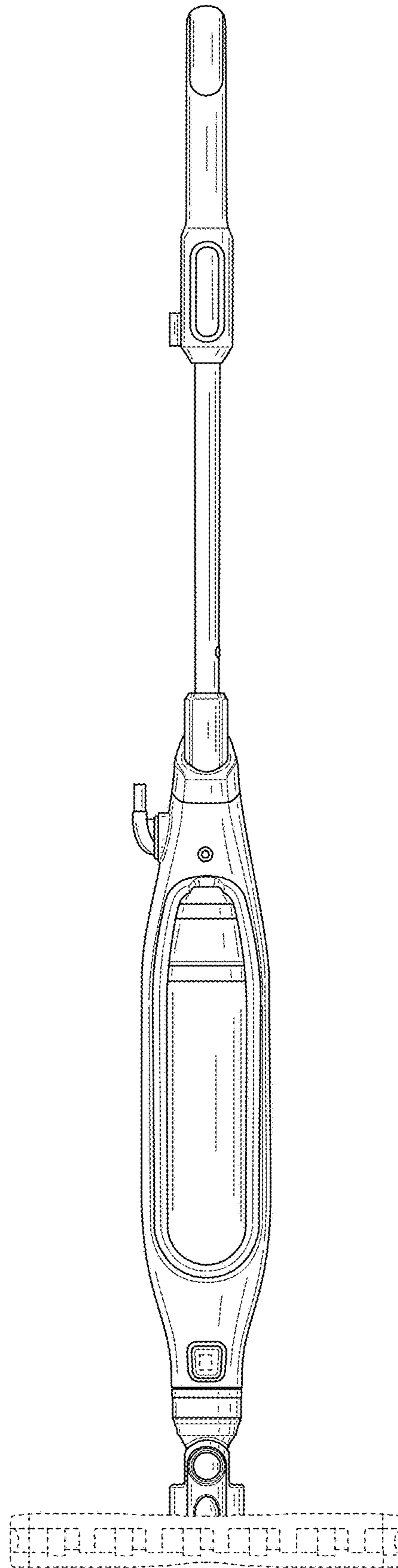
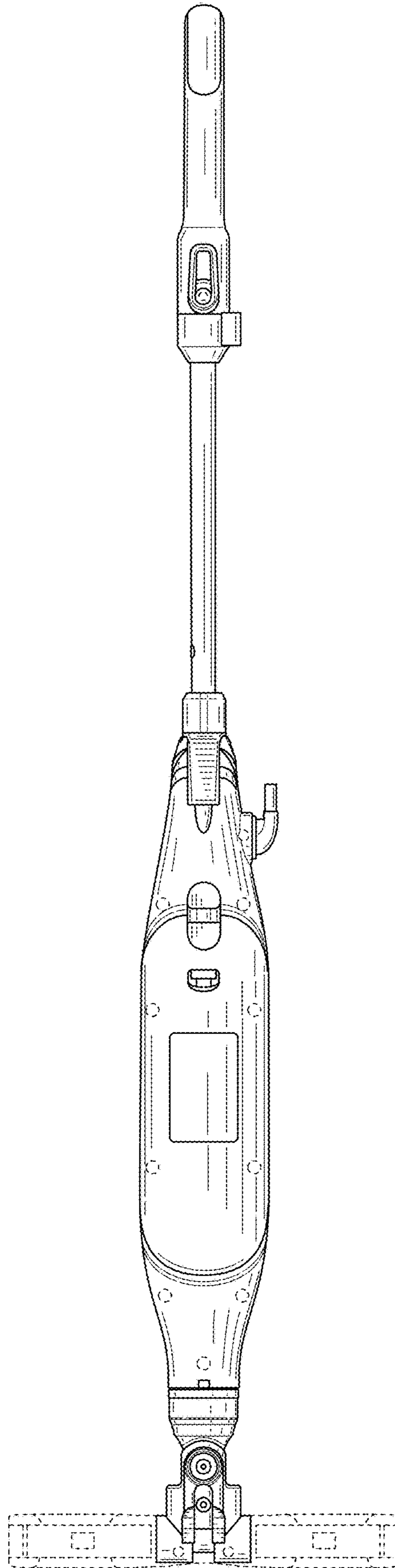
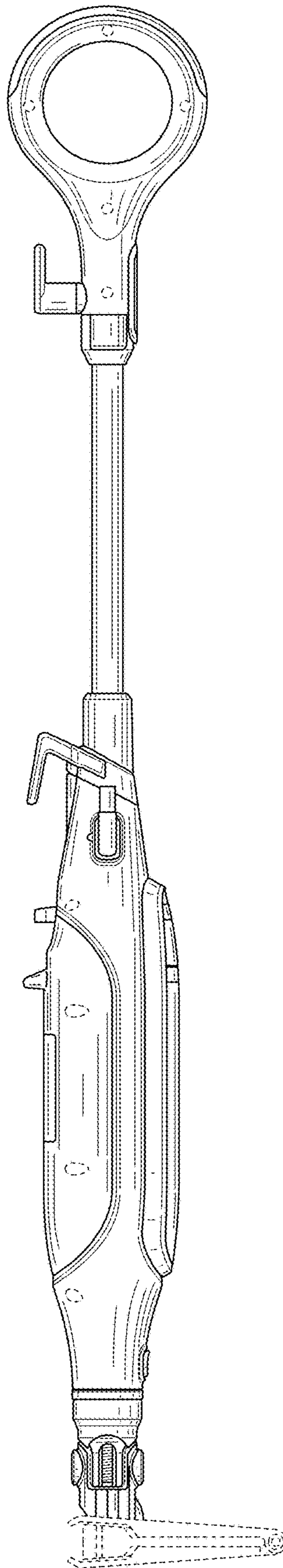


FIG. 2



**FIG. 3**



**FIG. 4**

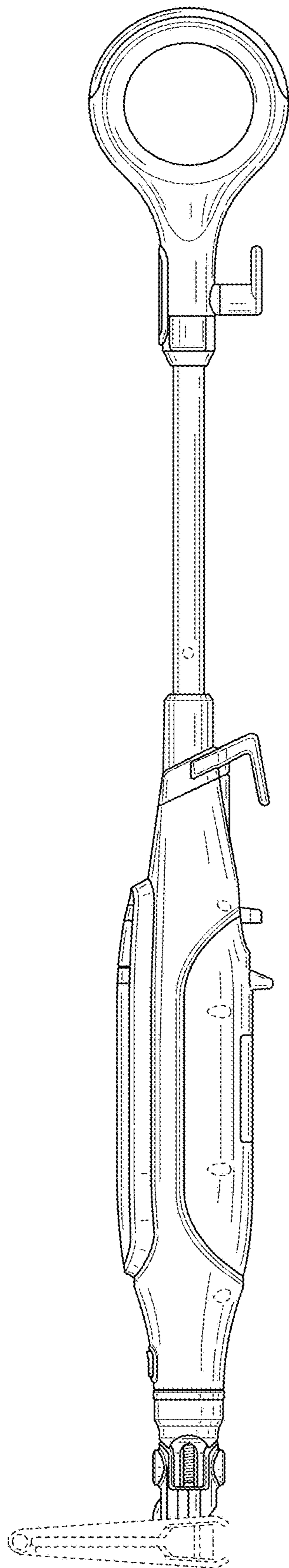
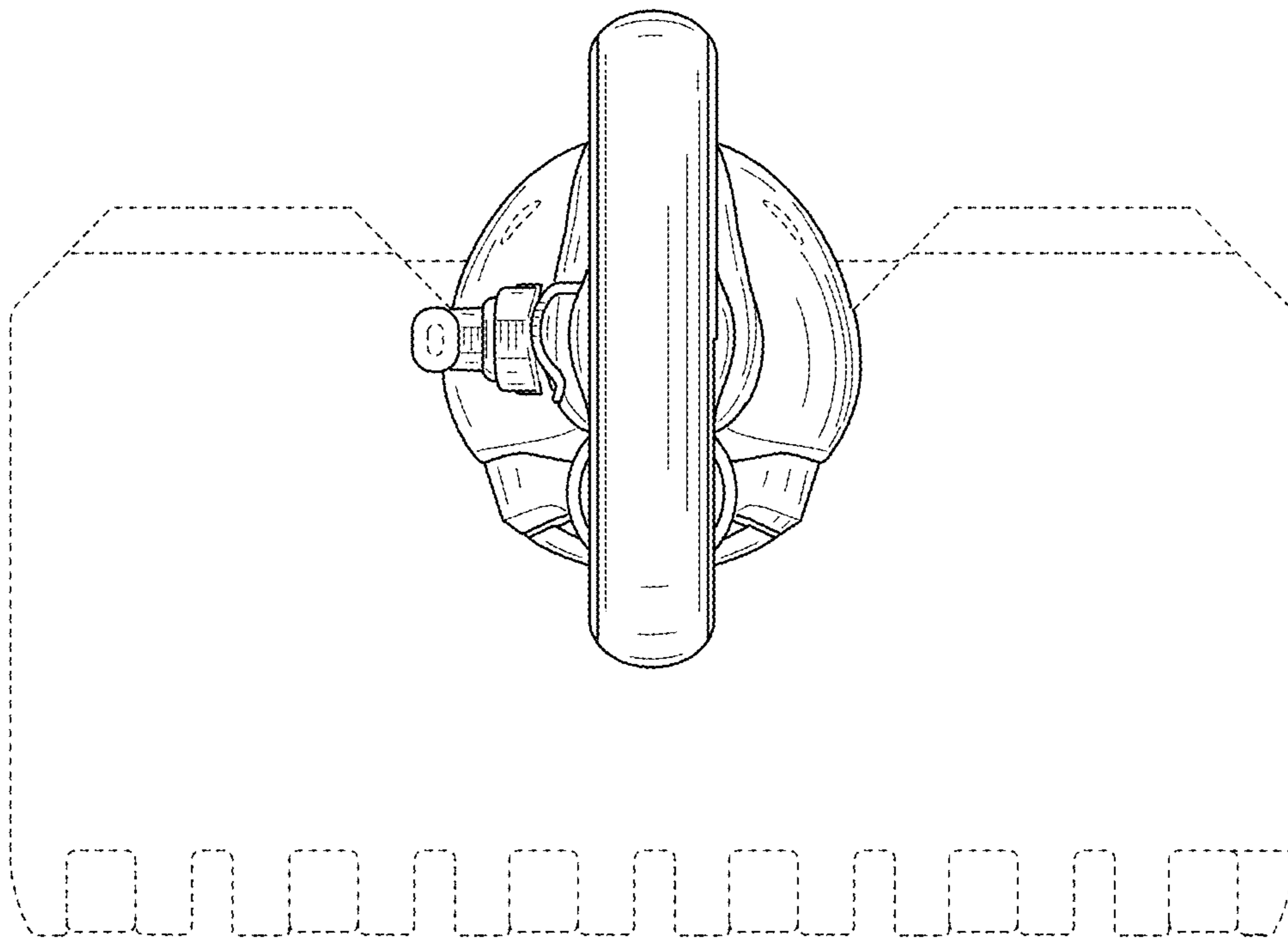
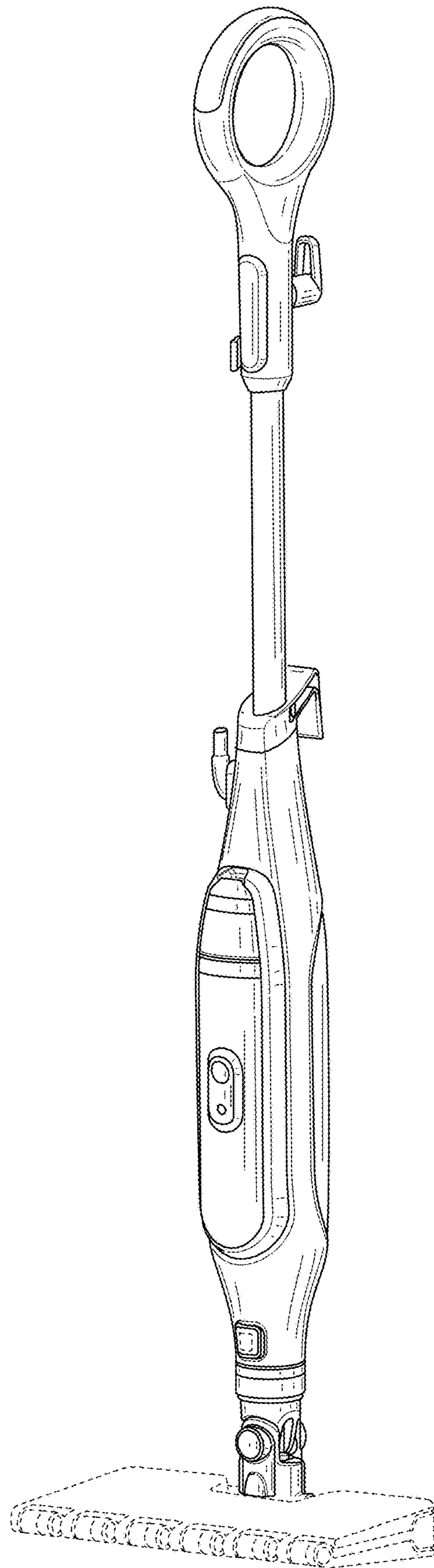


FIG. 5



**FIG. 6**





**FIG. 7**

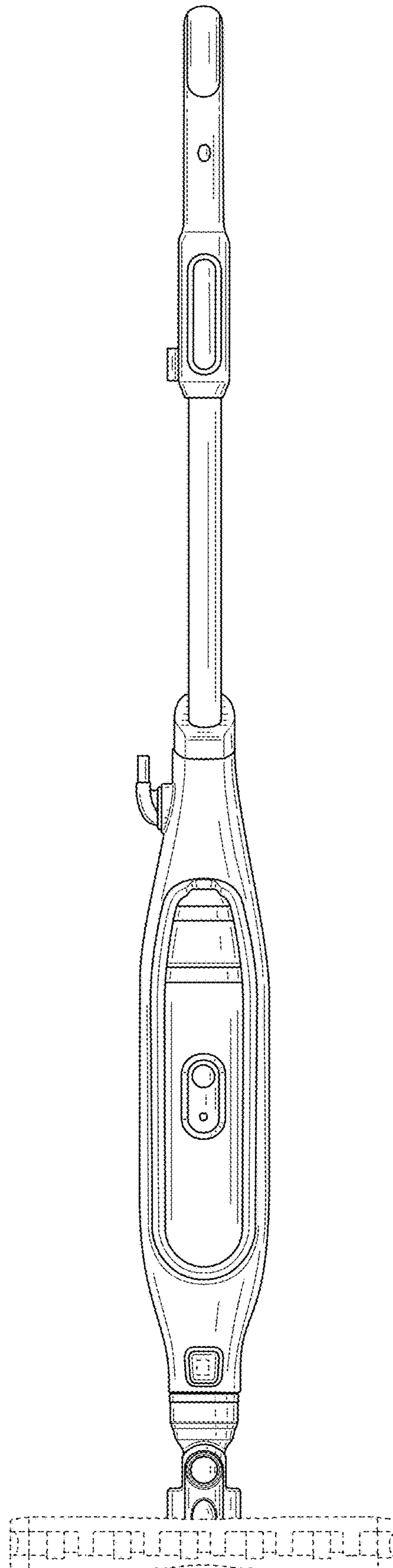


FIG. 8

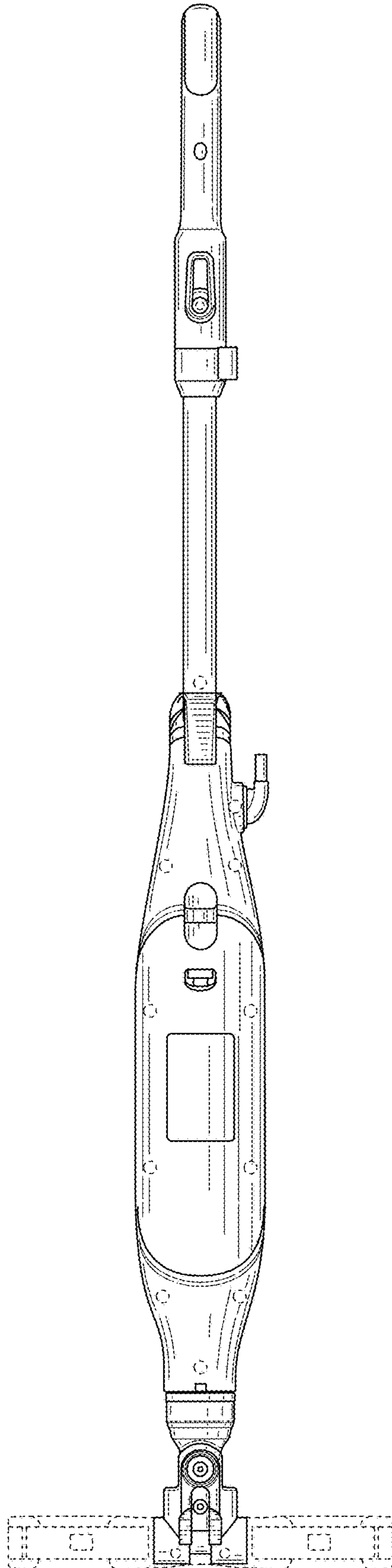
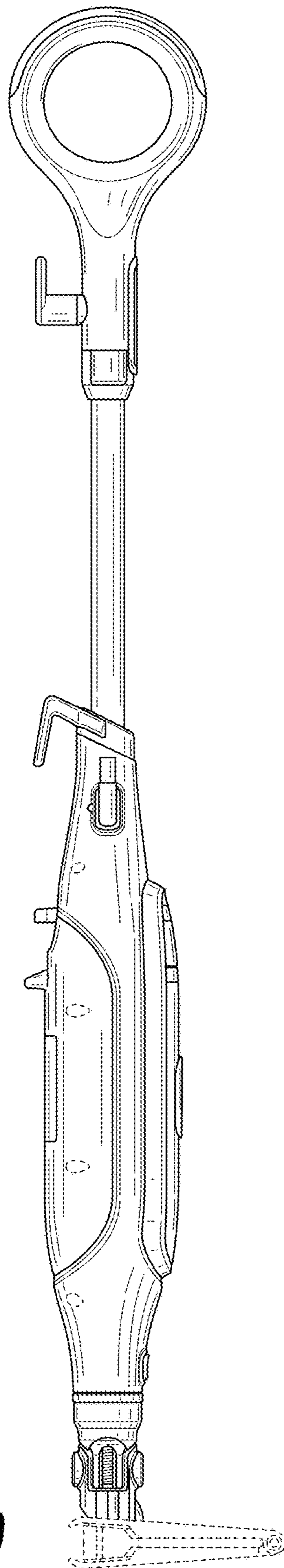


FIG. 9



**FIG. 10**

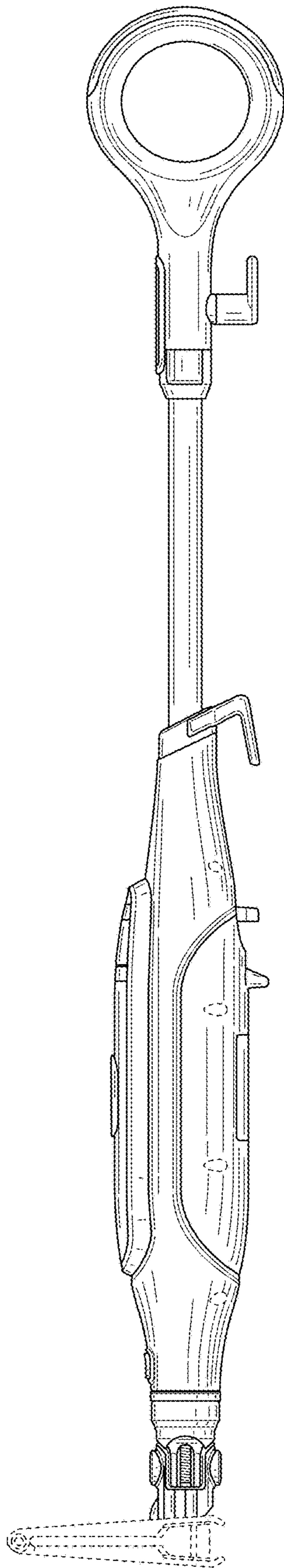
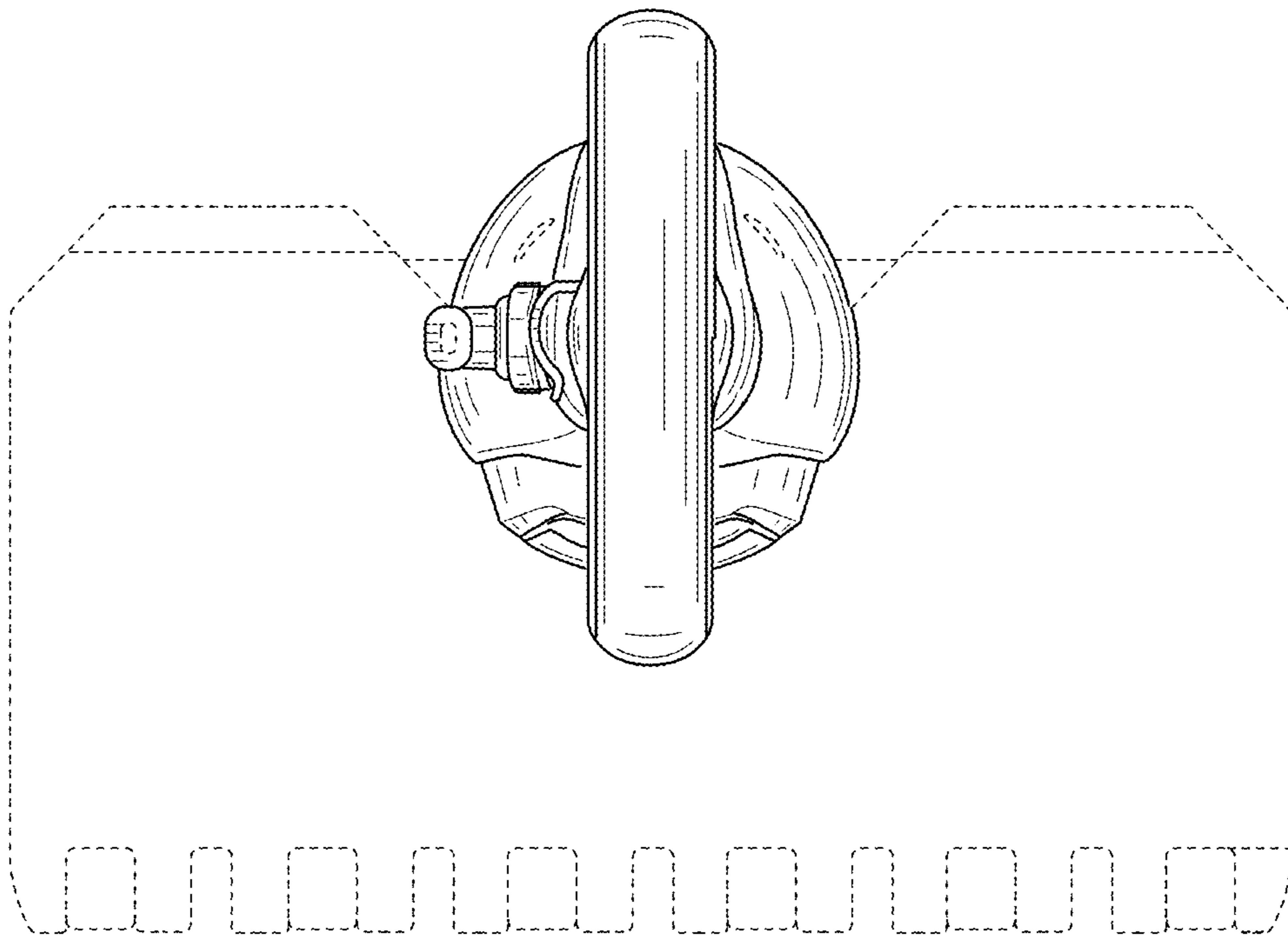
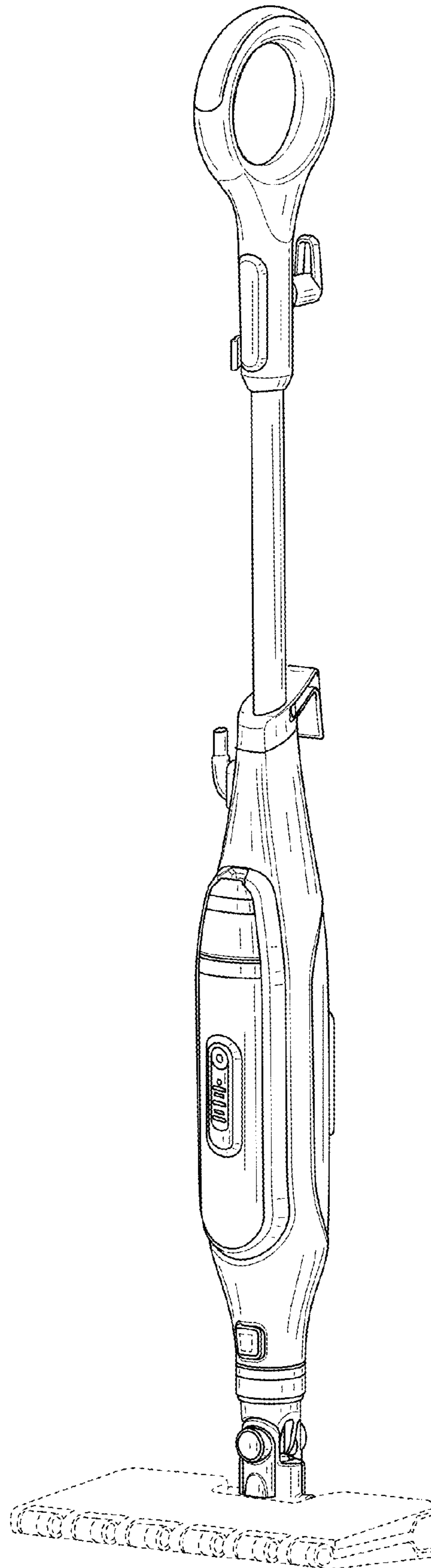


FIG. 11



**FIG. 12**



**FIG. 13**

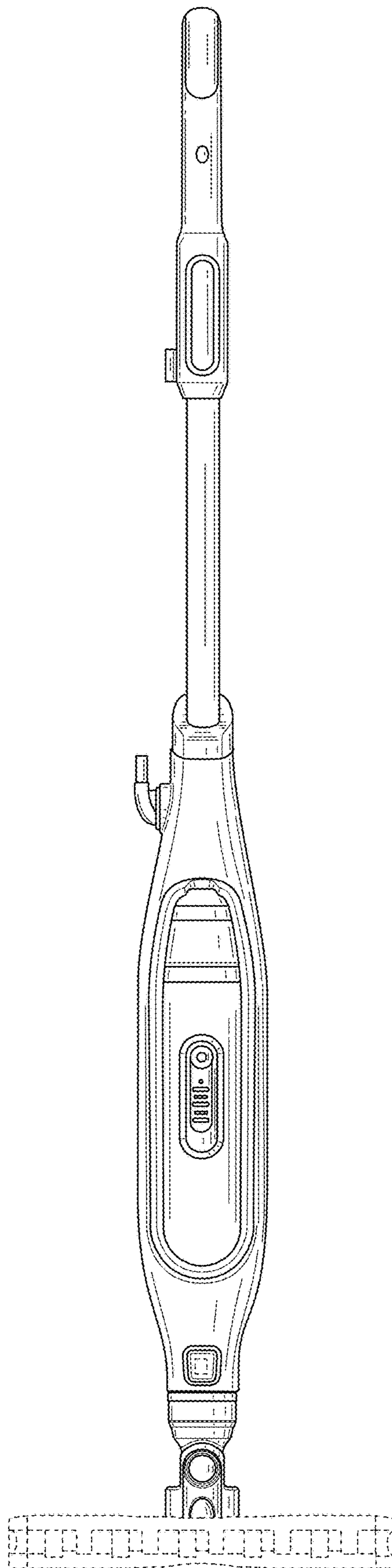


FIG. 14



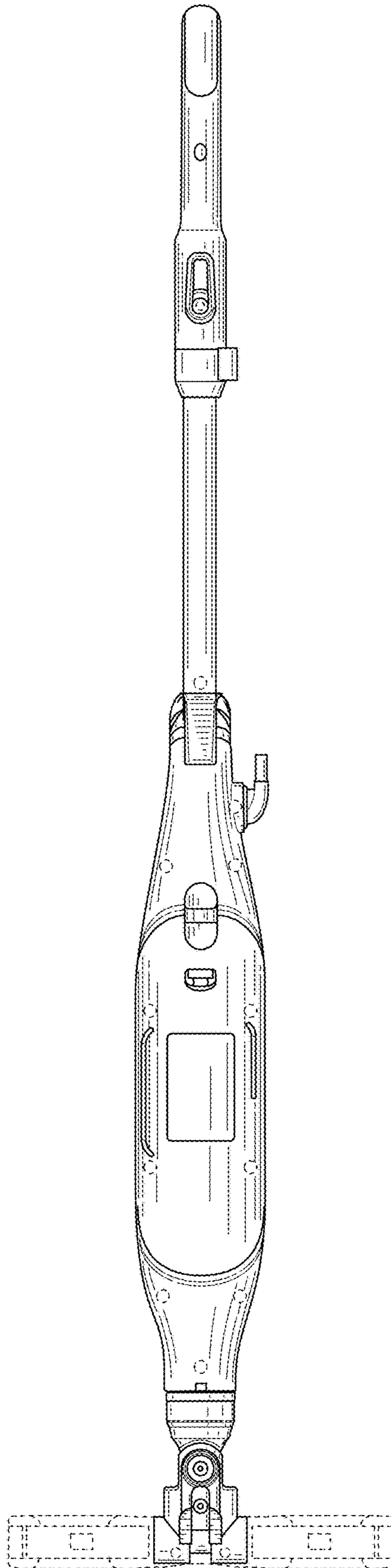


FIG. 15

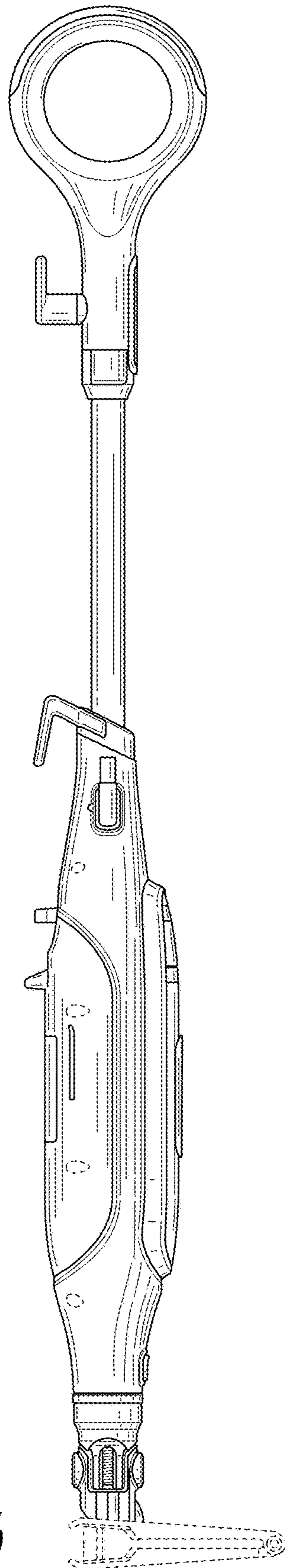


FIG. 16

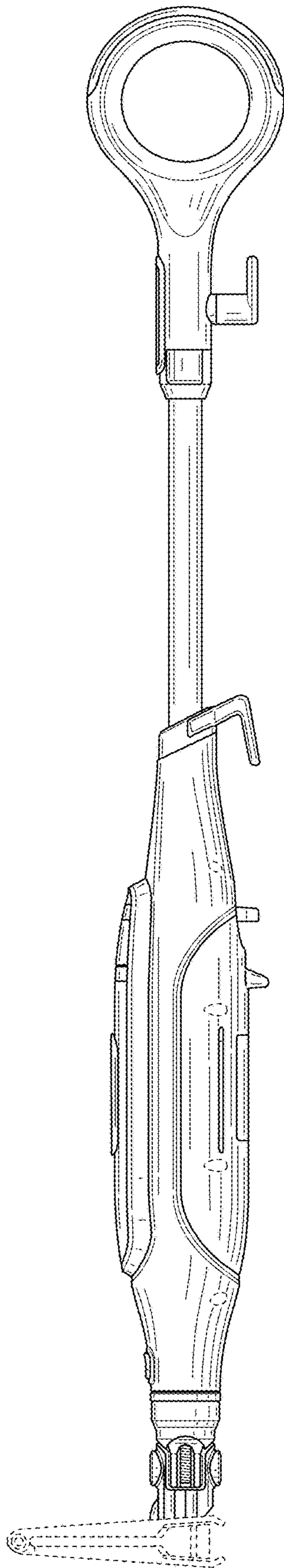
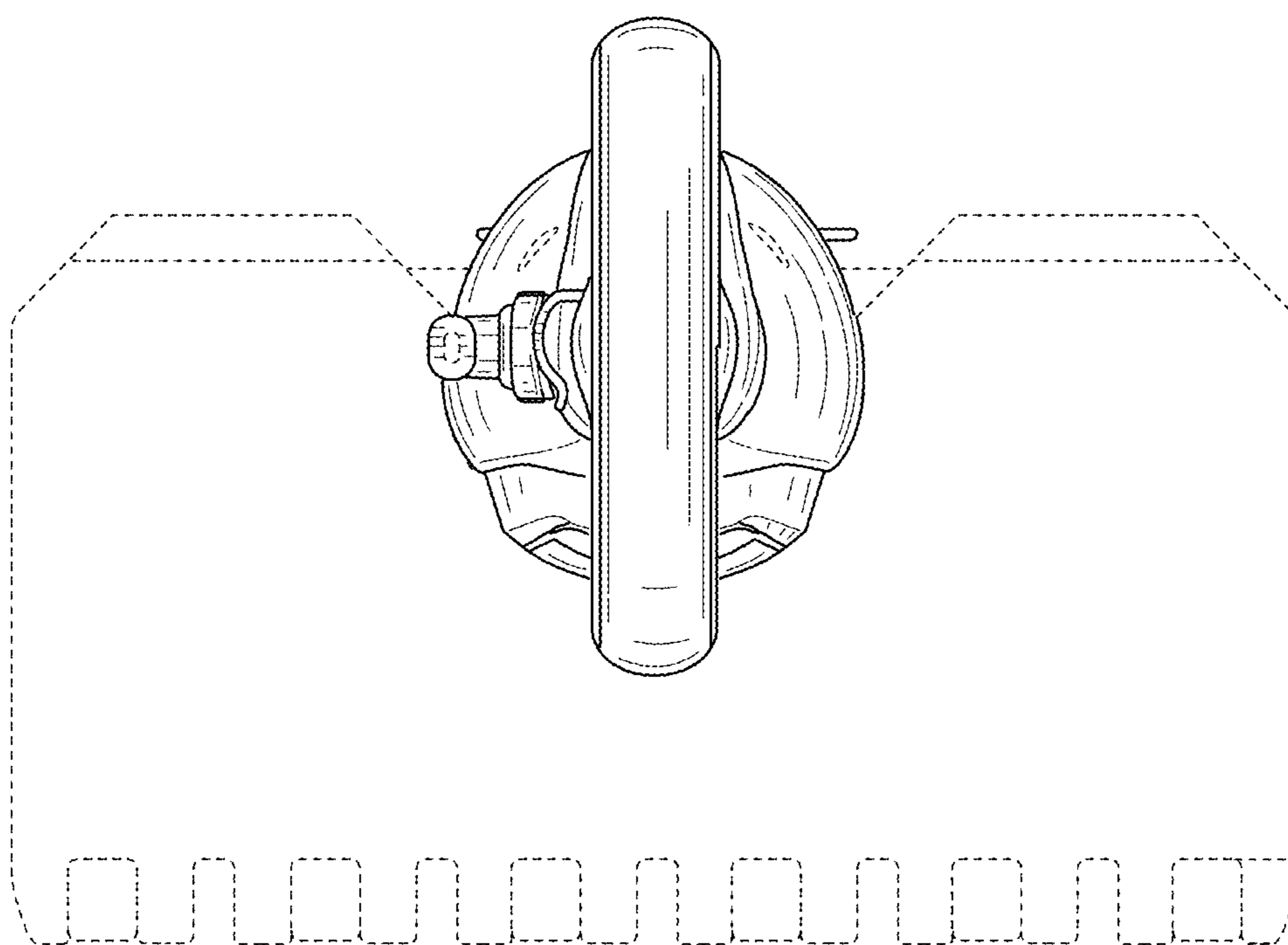


FIG. 17



**FIG. 18**