



US00D796755S

(12) **United States Design Patent**  
**Gidwell et al.**

(10) **Patent No.:** **US D796,755 S**

(45) **Date of Patent:** **\*\* \*Sep. 5, 2017**

(54) **CADDY WITH POD**

(71) Applicant: **SharkNinja Operating LLC**, Newton, MA (US)

(72) Inventors: **Christopher Tidwell**, Sherborn, MA (US); **James R. Varney**, Bolton, MA (US); **James M. Ormond**, Belmont, MA (US)

(73) Assignee: **SharkNinja Operating LLC**, Newton, MA (US)

(\*) Notice: This patent is subject to a terminal disclaimer.

(\*\*) Term: **14 Years**

(21) Appl. No.: **29/487,525**

(22) Filed: **Apr. 9, 2014**

(51) **LOC (10) Cl.** ..... **15-05**

(52) **U.S. Cl.**  
USPC ..... **D32/21**

(58) **Field of Classification Search**  
USPC ..... D32/21, 23-24, 31  
CPC . A47L 5/362; A47L 5/365; A47L 5/28; A47L 9/26; A47L 11/34; A47L 7/0038; B65H 75/18

See application file for complete search history.

(56) **References Cited**

U.S. PATENT DOCUMENTS

D709,253 S *	7/2014	Lim et al. ....	D32/21
D714,001 S *	9/2014	Yun et al. ....	D32/21
D718,504 S *	11/2014	Carter et al. ....	D32/21
D723,754 S *	3/2015	Yun et al. ....	D32/21
D724,281 S *	3/2015	Irfan et al. ....	D32/21
D724,799 S *	3/2015	Yun et al. ....	D32/21
D724,800 S *	3/2015	Irfan et al. ....	D32/21
D724,801 S *	3/2015	Yoon et al. ....	D32/21

D728,175 S *	4/2015	Park et al. ....	D32/21
D728,873 S *	5/2015	Renaud et al. ....	D32/21
D730,600 S *	5/2015	Springell et al. ....	D32/21

FOREIGN PATENT DOCUMENTS

JP 1475821 S 7/2013

OTHER PUBLICATIONS

Examiner Notice from Japanese Design No. 2014-022720 dated Jul. 7, 2015.

<http://www.irisplaza.co.jp/Index.asp?KB=SHOSAI&SID=H880886>.

Australian Design Application No. 201415169 filed Oct. 9, 2014. Australian Office Action dated Feb. 2, 2015, for Australian Design Application No. 201415169.

Youtube video dated Apr. 3, 2014 at <https://www.youtube.com/watch?v=QijVNOxKA-E>.

\* cited by examiner

*Primary Examiner* — Ruth McInroy

(74) *Attorney, Agent, or Firm* — Grossman Tucker Perreault & Pfeleger, PLLC

(57) **CLAIM**

The ornamental design for a caddy with pod, as shown and described.

**DESCRIPTION**

FIG. 1 is a perspective view of a caddy with pod showing our new design;

FIG. 2 is a left side view thereof;

FIG. 3 is a right side view thereof;

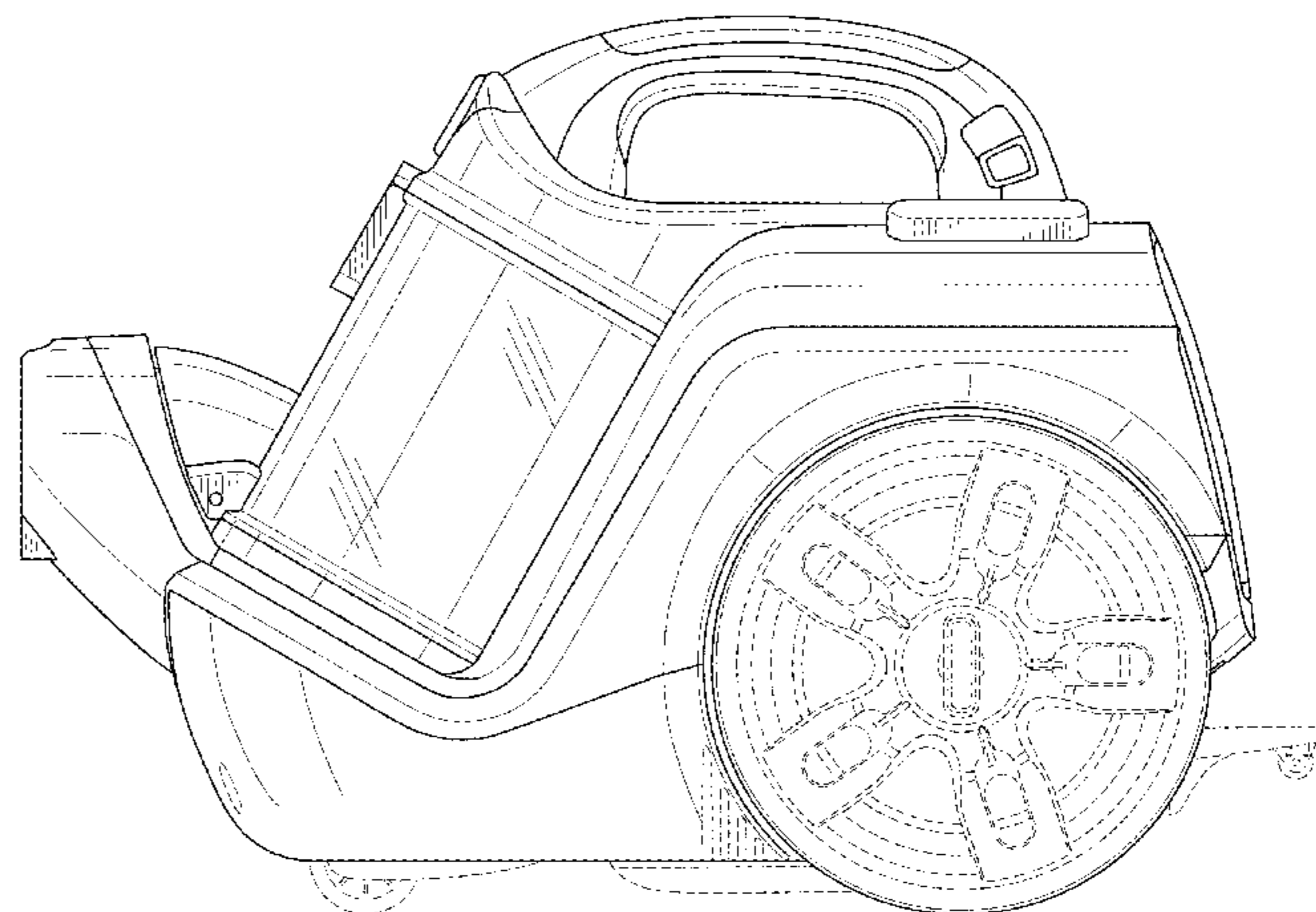
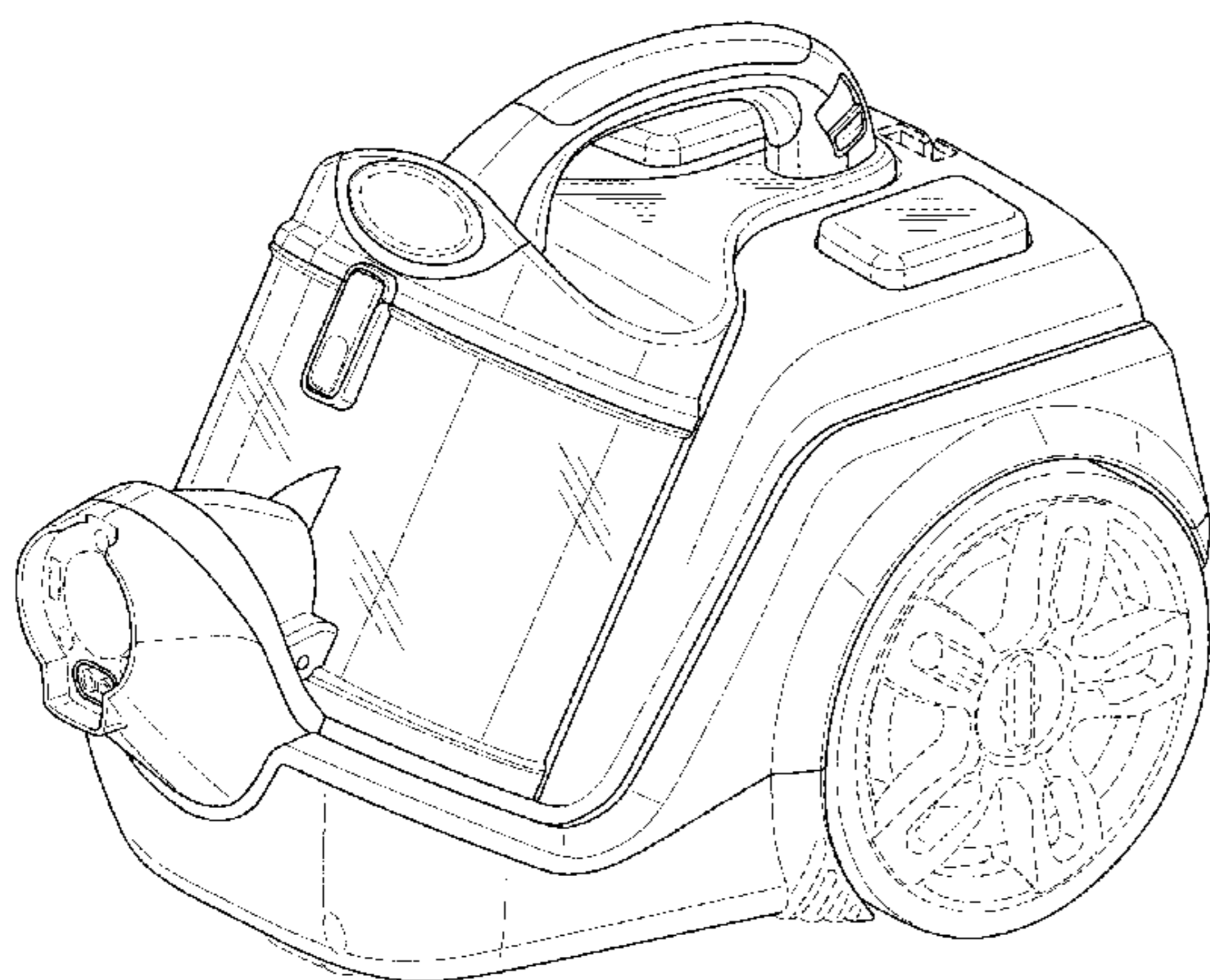
FIG. 4 is a front view thereof;

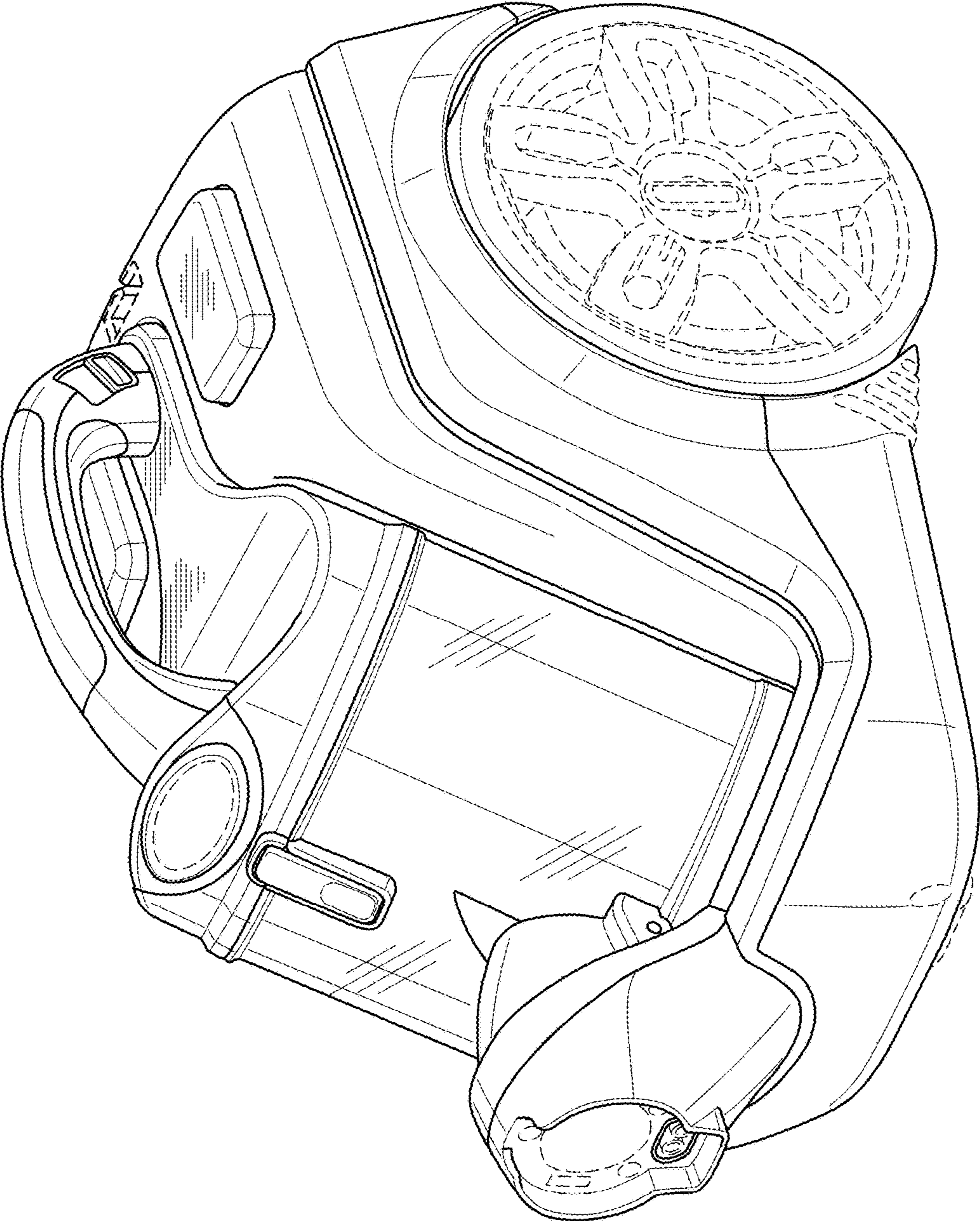
FIG. 5 is a rear view thereof; and,

FIG. 6 is a top view thereof.

The details shown in broken lines form no part of the claimed design.

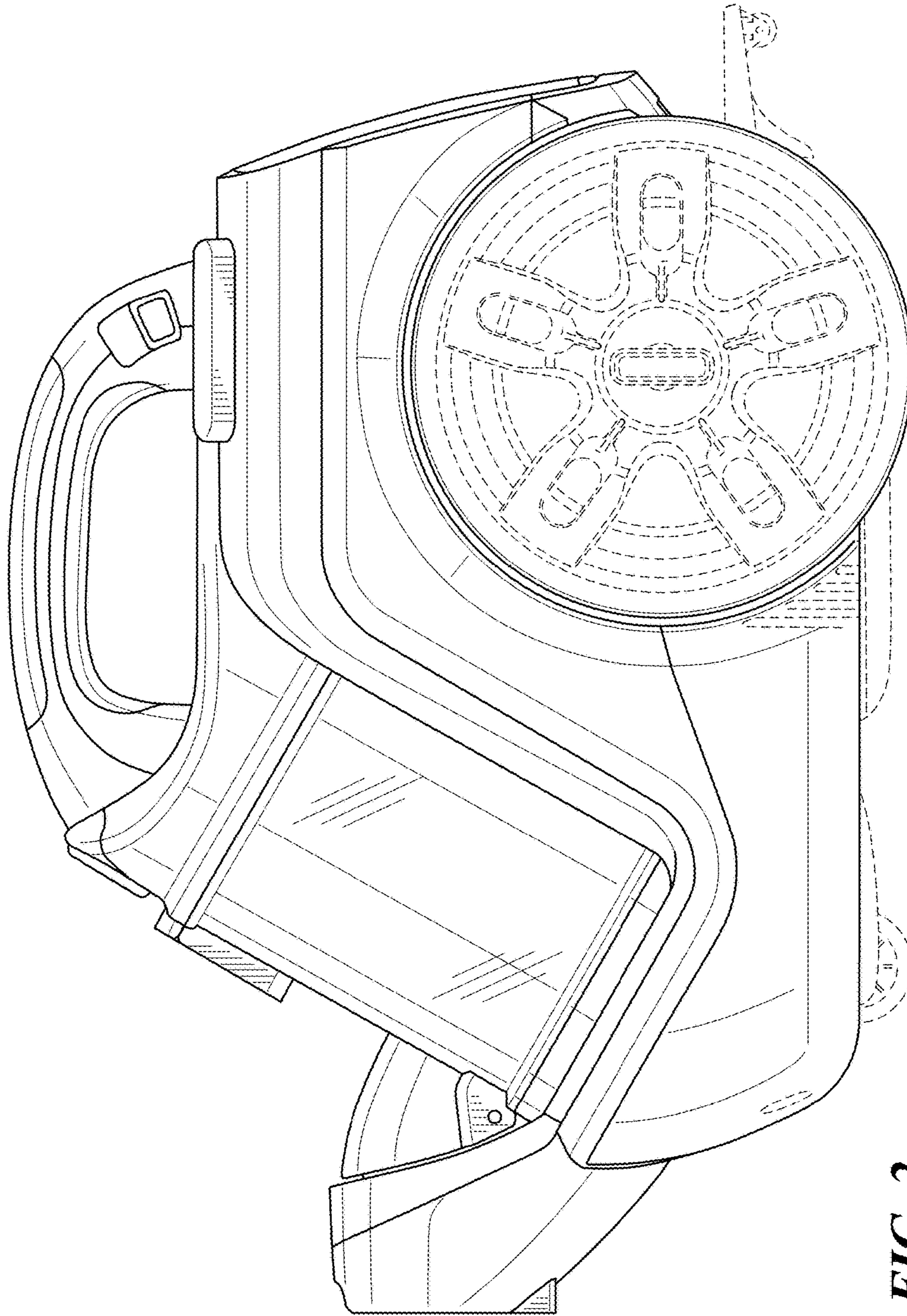
**1 Claim, 6 Drawing Sheets**



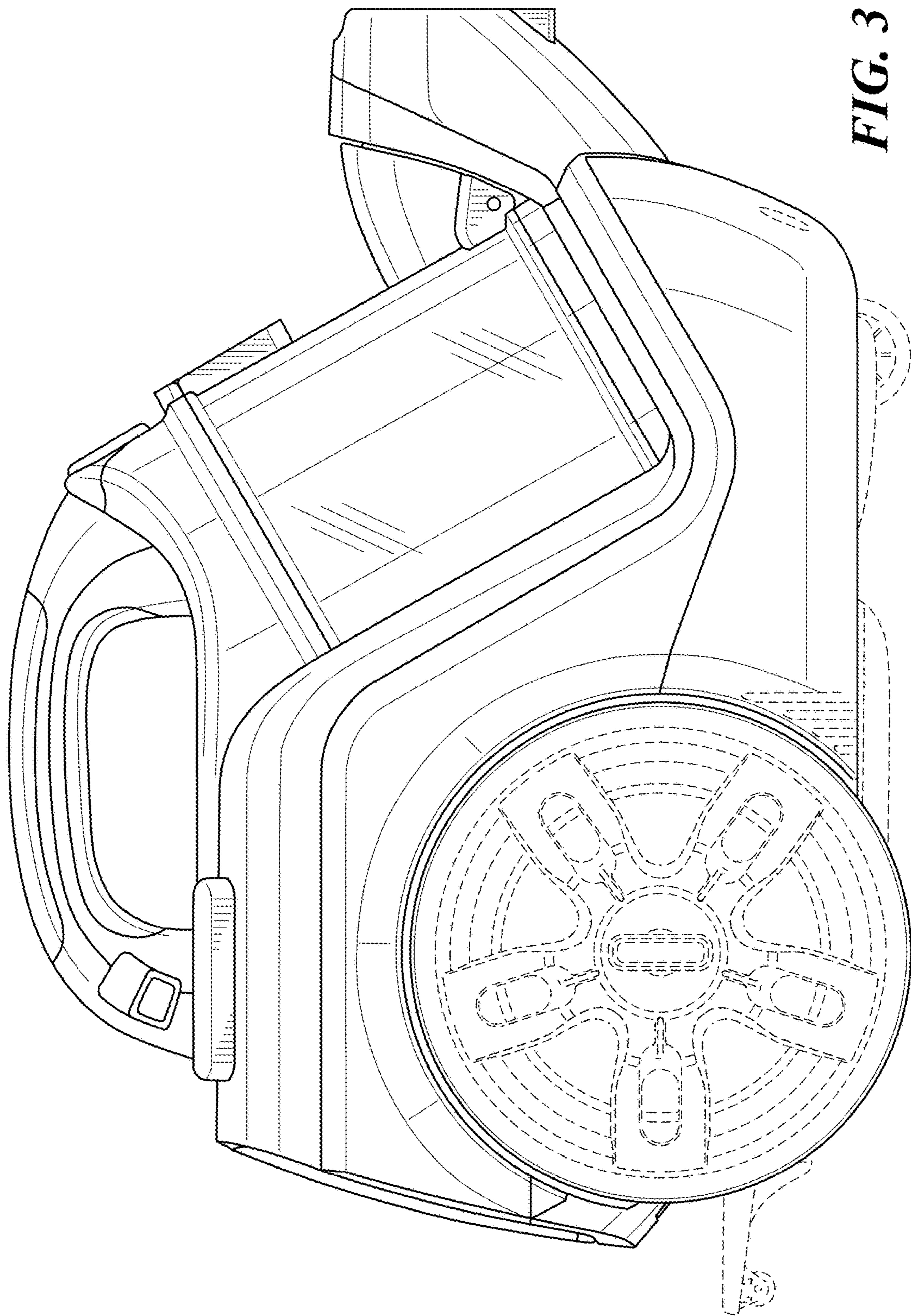


**FIG. 1**

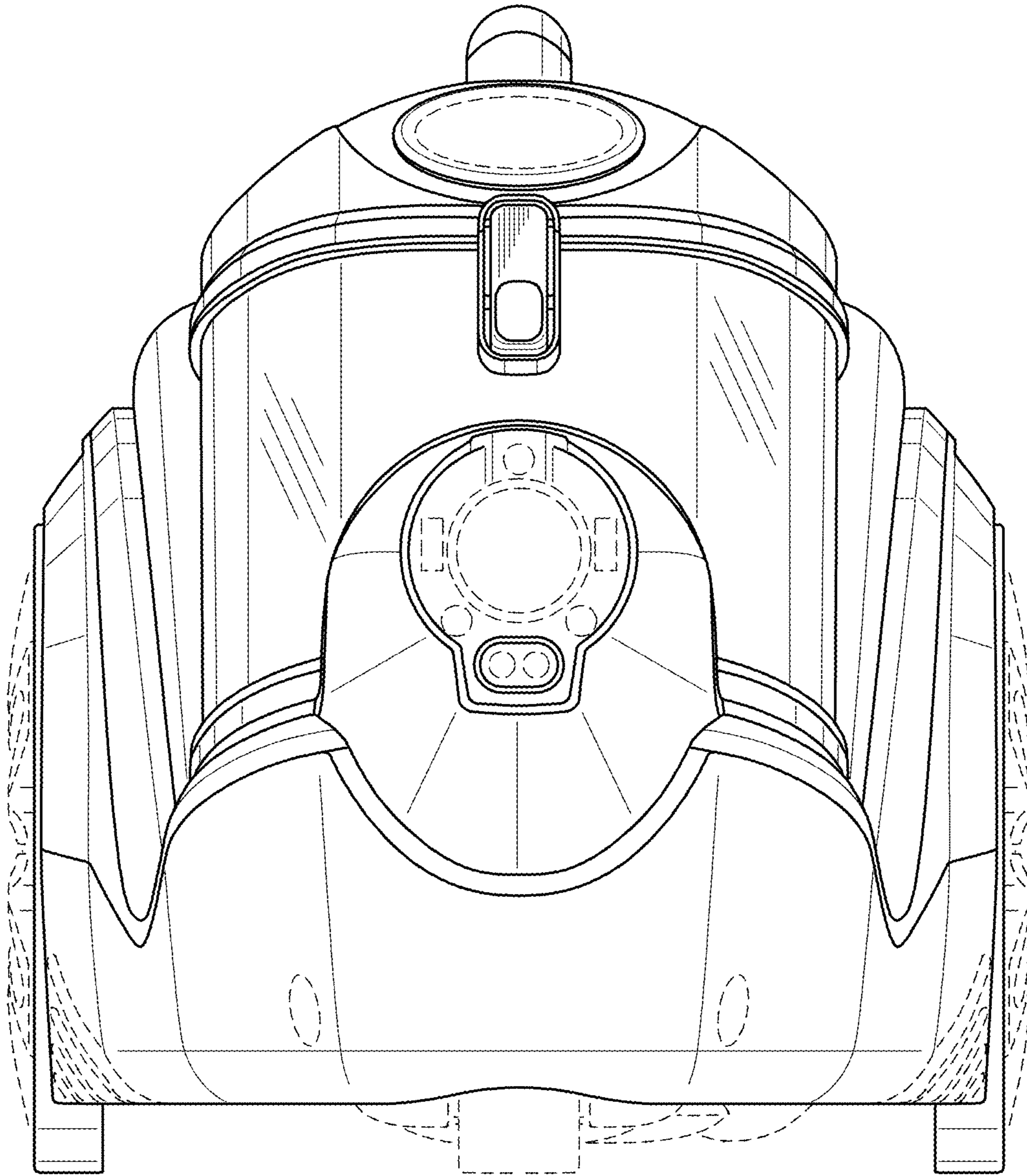




**FIG. 2**

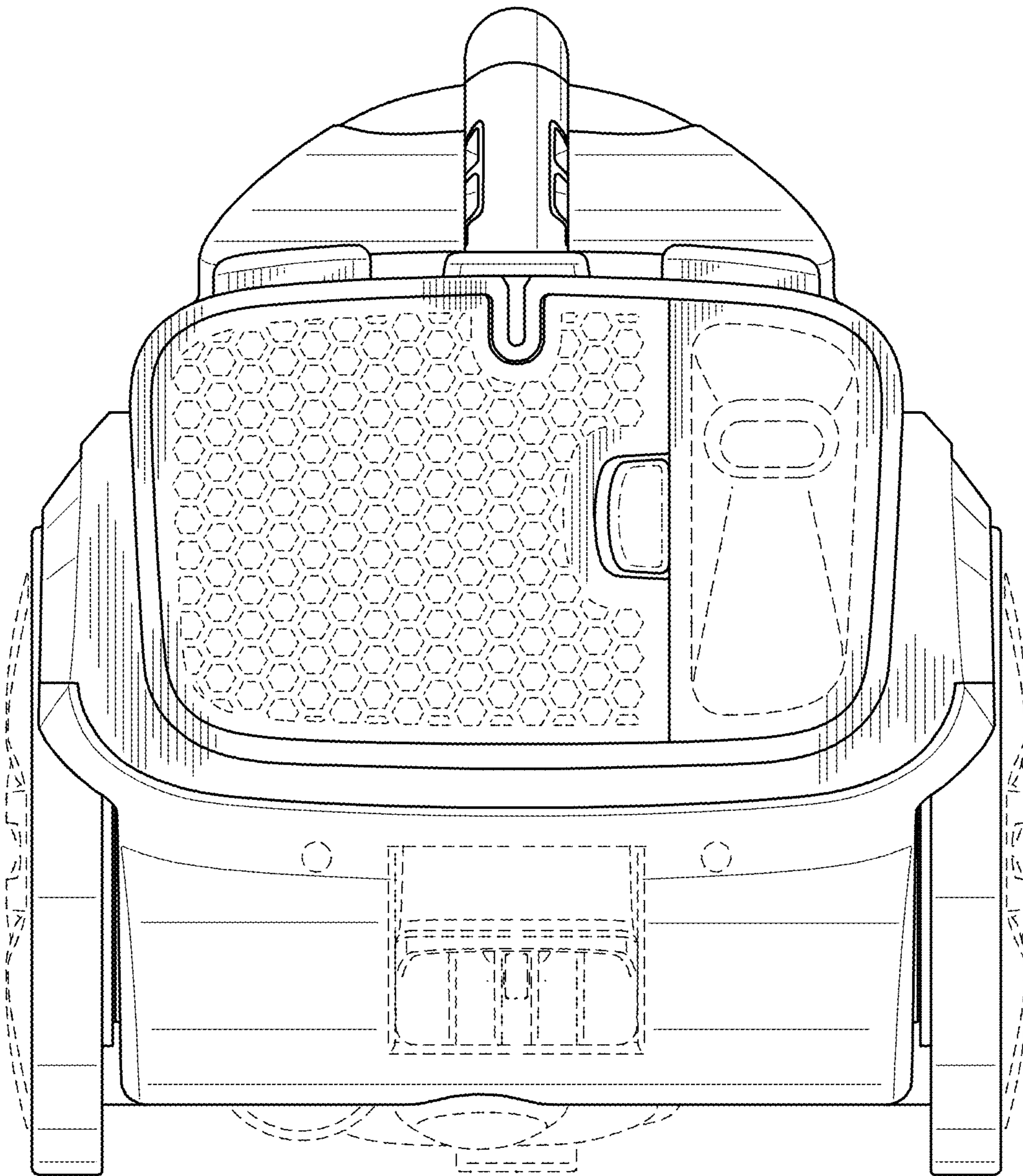


**FIG. 3**

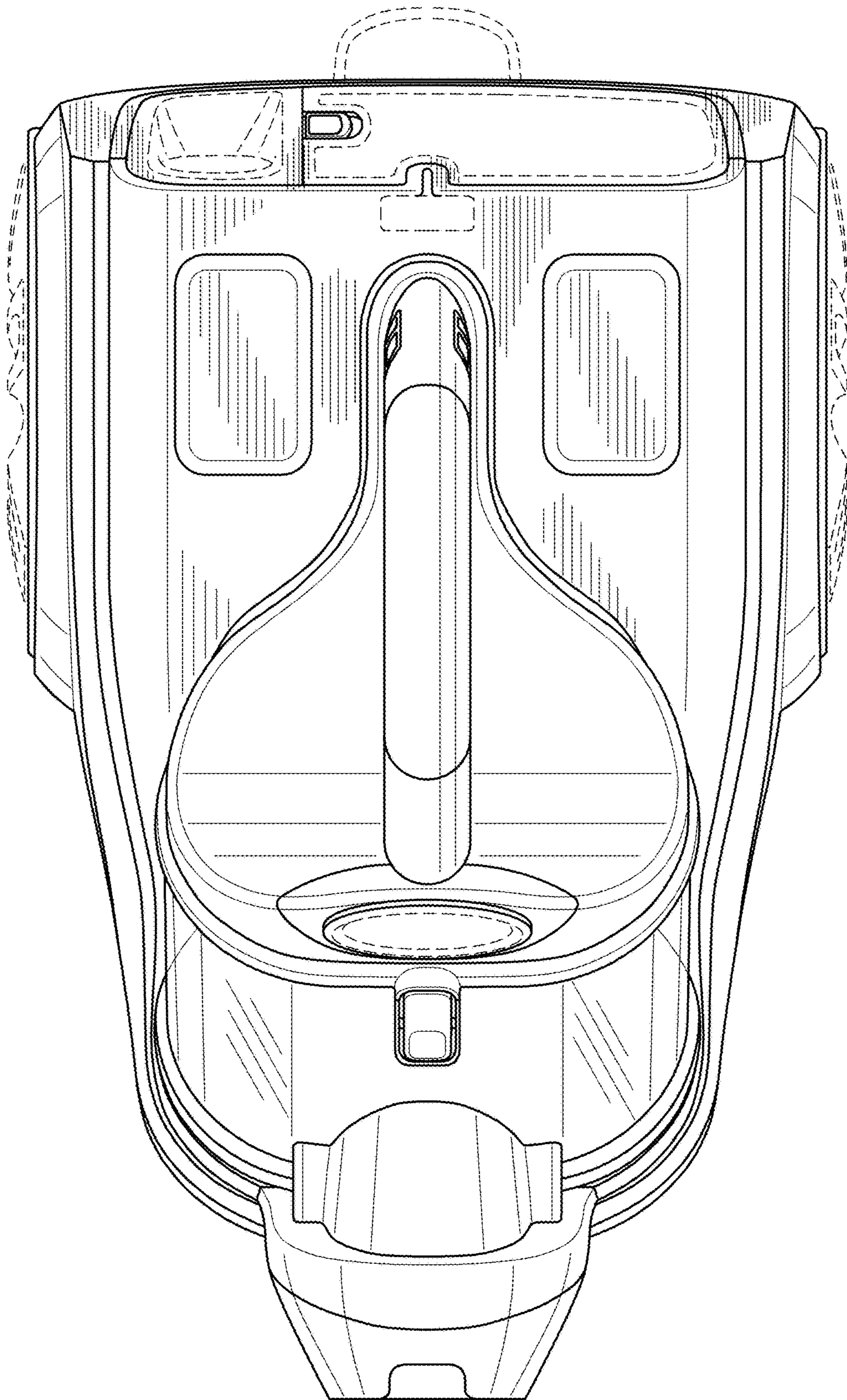


**FIG. 4**





**FIG. 5**



**FIG. 6**