



US00D796754S

(12) **United States Design Patent**
Hu

(10) **Patent No.:** **US D796,754 S**

(45) **Date of Patent:** **** Sep. 5, 2017**

- (54) **BLOWER**
- (71) Applicant: **CHANGZHOU GLOBE CO., LTD.,**
Changzhou, Jiangsu (CN)
- (72) Inventor: **Yeqing Hu,** Jiangsu (CN)
- (73) Assignee: **CHANGZHOU GLOBE CO., LTD.,**
Changzhou (CN)
- (**) Term: **15 Years**
- (21) Appl. No.: **29/575,009**
- (22) Filed: **Aug. 22, 2016**
- (30) **Foreign Application Priority Data**
Feb. 22, 2016 (CN) 2016 3 0048953
May 3, 2016 (CN) 2016 3 0163683
- (51) **LOC (10) Cl.** **15-05**
- (52) **U.S. Cl.**
USPC **D32/15**
- (58) **Field of Classification Search**
USPC D34/21, 25, 18; D15/12; D23/213, 355;
D32/15, 1, 16, 25, 21; 15/410, 300.1,
15/344, 327.5, 405, 303
CPC .. A45F 3/08; B25F 5/02; A01G 1/125; A01G
1/12; E01H 1/0809; A47L 5/36; A47L
5/14
See application file for complete search history.

- (56) **References Cited**
U.S. PATENT DOCUMENTS
D285,848 S * 9/1986 Iida D32/15
5,195,208 A * 3/1993 Yamami A47L 5/36
15/326
5,813,088 A * 9/1998 Wagner A47L 5/36
15/327.5
D427,394 S * 6/2000 Yamane D32/15

- 6,253,415 B1 * 7/2001 Honda A47L 5/14
15/339
- 6,305,048 B1 * 10/2001 Salisian A01G 1/125
15/326
- D481,497 S * 10/2003 Malmqvist D32/15
- D481,839 S * 11/2003 Almquist D32/15
- 6,928,693 B1 * 8/2005 Ericson A01G 1/125
134/42
- D533,266 S * 12/2006 Yoshida D23/383
- 7,600,290 B1 * 10/2009 Peters A01G 1/125
15/327.5
- D604,917 S * 11/2009 Tinius D32/15
- 7,673,813 B2 * 3/2010 Raffenberg A01M 7/0021
137/595
- D640,846 S * 6/2011 Tinius D32/15
- 8,262,370 B2 * 9/2012 Kageback F04D 25/02
417/234
- 8,539,637 B2 * 9/2013 Basenberg, Jr. A45F 3/14
15/327.5
- 8,671,516 B1 * 3/2014 Mendez A01G 1/125
15/327.5

(Continued)

Primary Examiner — Mark Goodwin

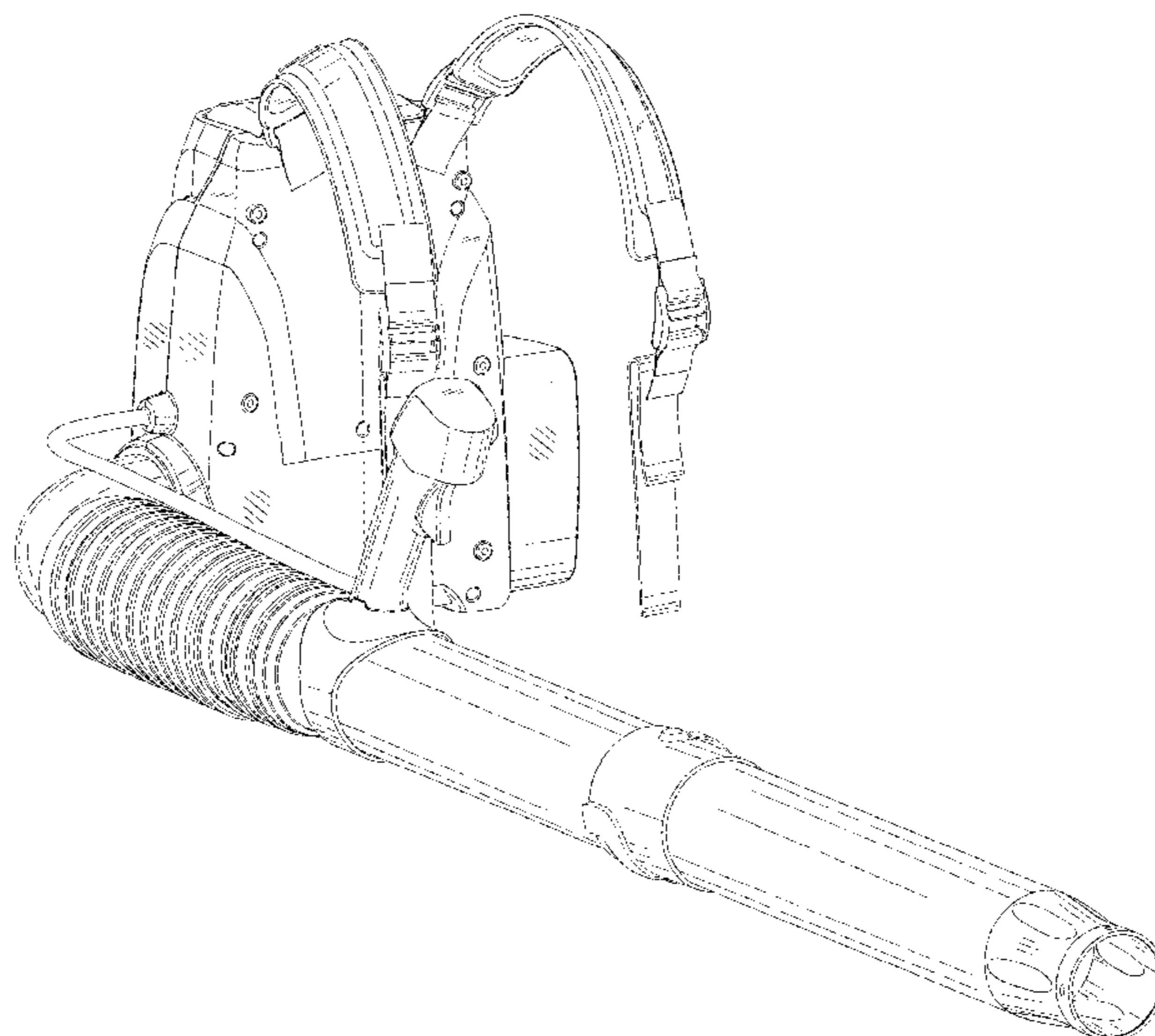
(57) **CLAIM**

The ornamental design for a blower, as shown and described.

DESCRIPTION

FIG. 1 is a front elevational view of a blower showing my new design;
 FIG. 2 is a rear elevational view thereof;
 FIG. 3 is a top plan view thereof;
 FIG. 4 is a bottom plan view thereof;
 FIG. 5 is a first perspective view thereof;
 FIG. 6 is a second perspective view thereof;
 FIG. 7 is a third perspective view thereof;
 FIG. 8 is a fourth perspective view thereof; and,
 FIG. 9 is a fifth perspective view thereof.
 The broken lines in the drawings illustrate portions of the blower which form no part of the claimed design.

1 Claim, 9 Drawing Sheets



(56)

References Cited

U.S. PATENT DOCUMENTS

D719,307 S * 12/2014 Carl D15/12
9,167,751 B2 * 10/2015 Thackery A01G 1/125
D742,603 S * 11/2015 Tschopp D15/12
9,192,222 B2 * 11/2015 Nashimoto B25F 5/02
2015/0113758 A1 * 4/2015 Nashimoto B25F 5/02
15/327.5

* cited by examiner

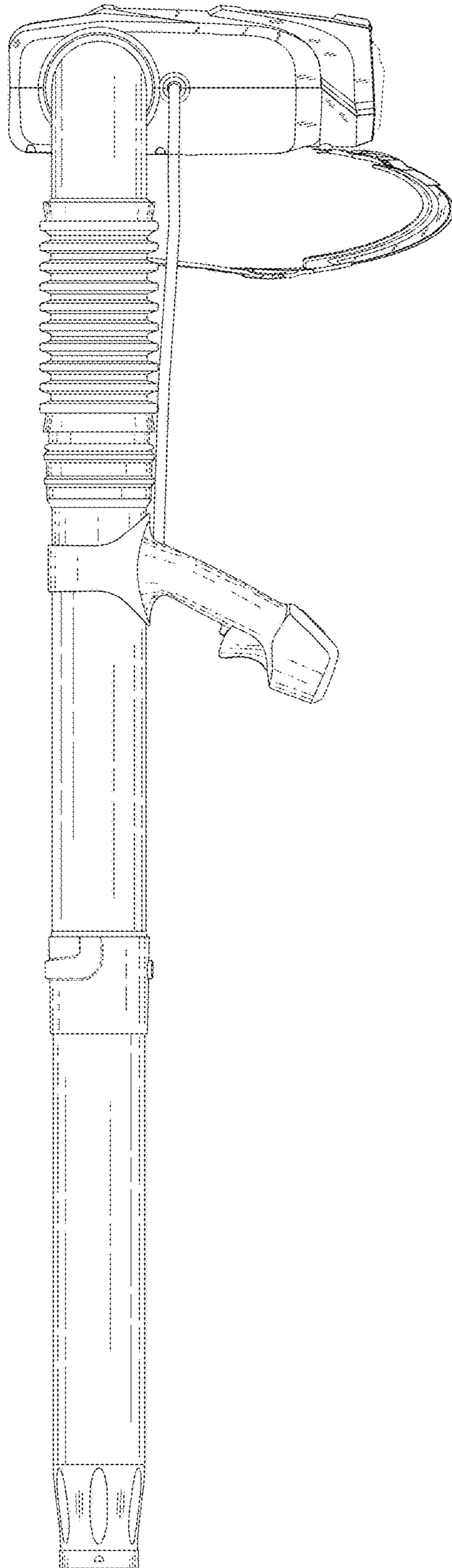


Fig. 1

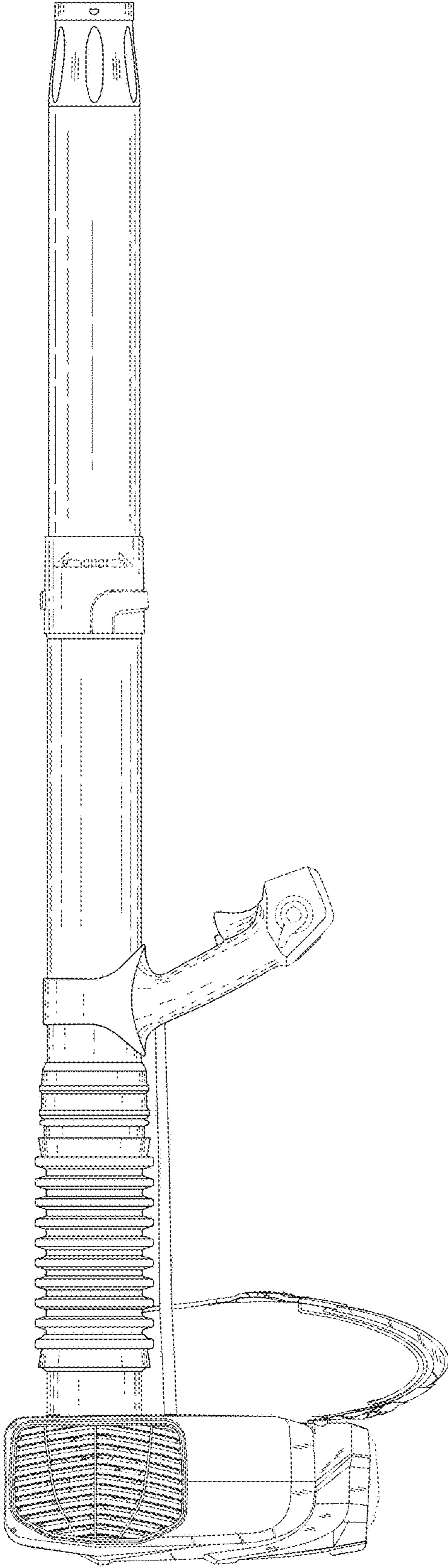


Fig. 2

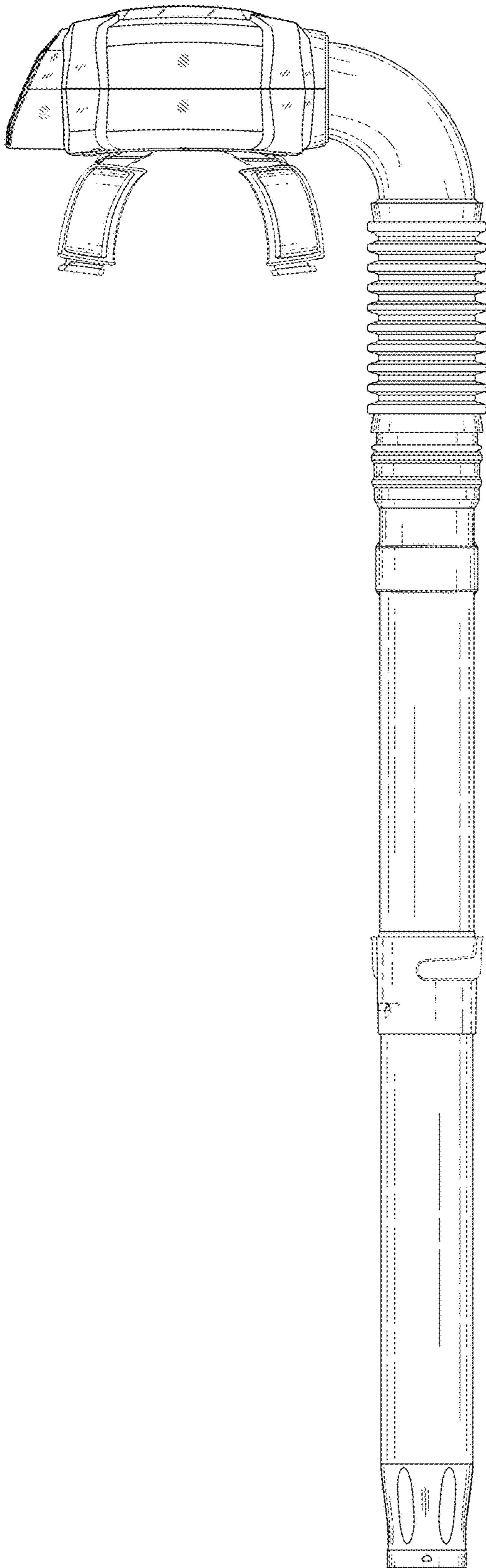


Fig. 3

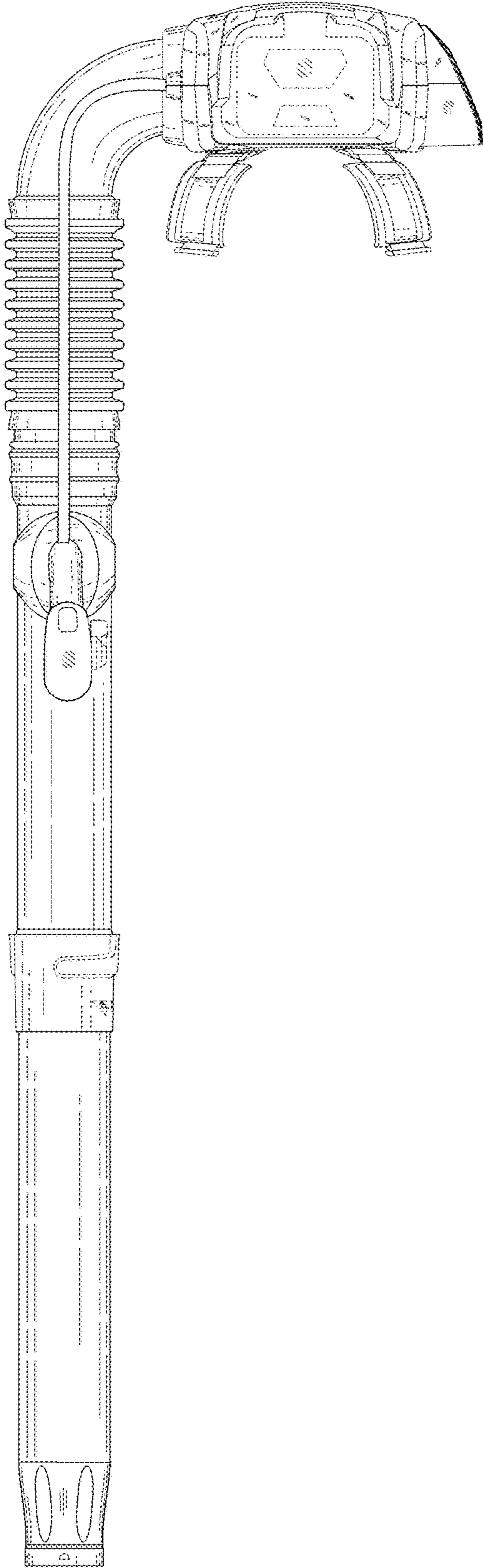


Fig. 4

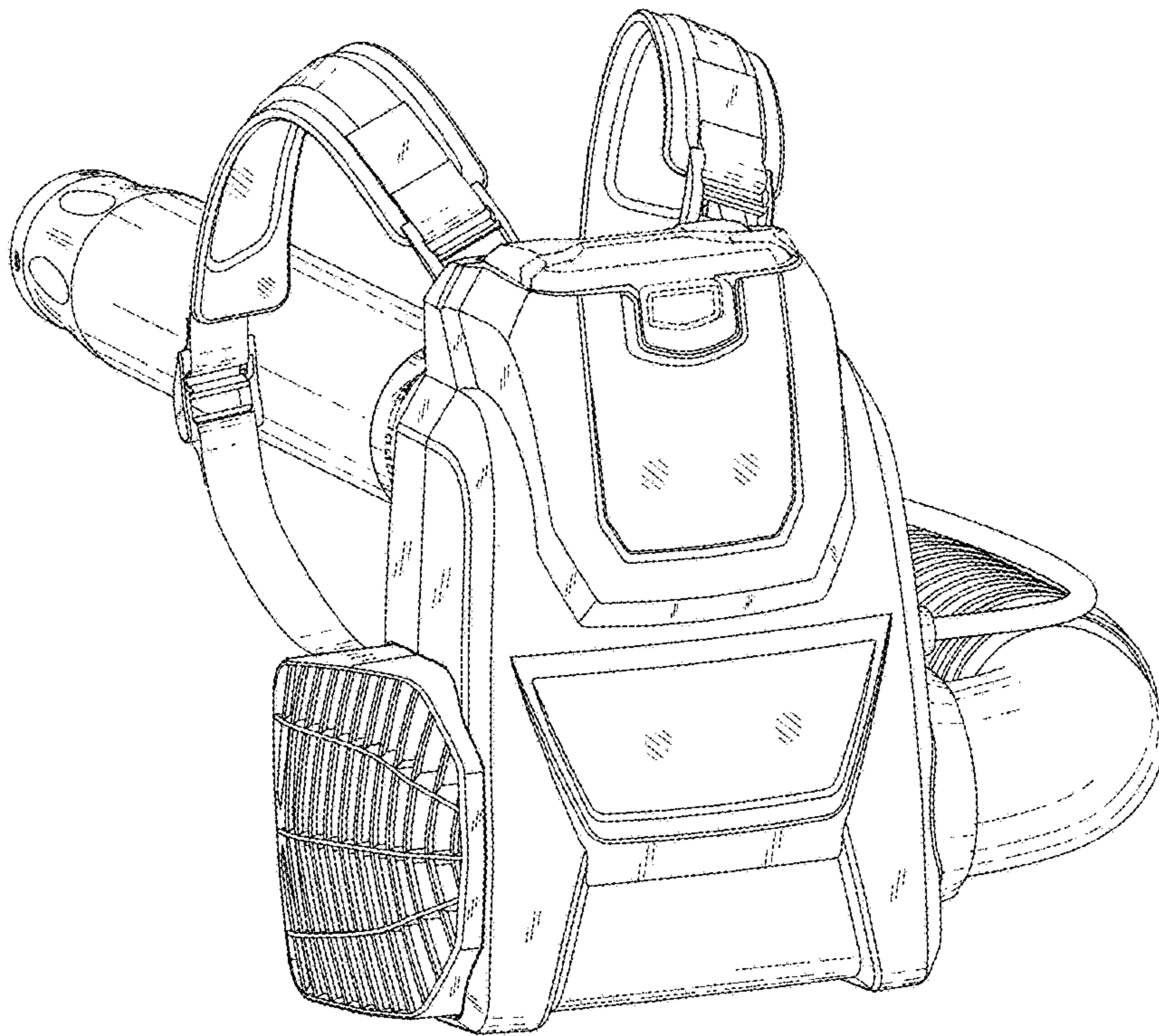


Fig. 5

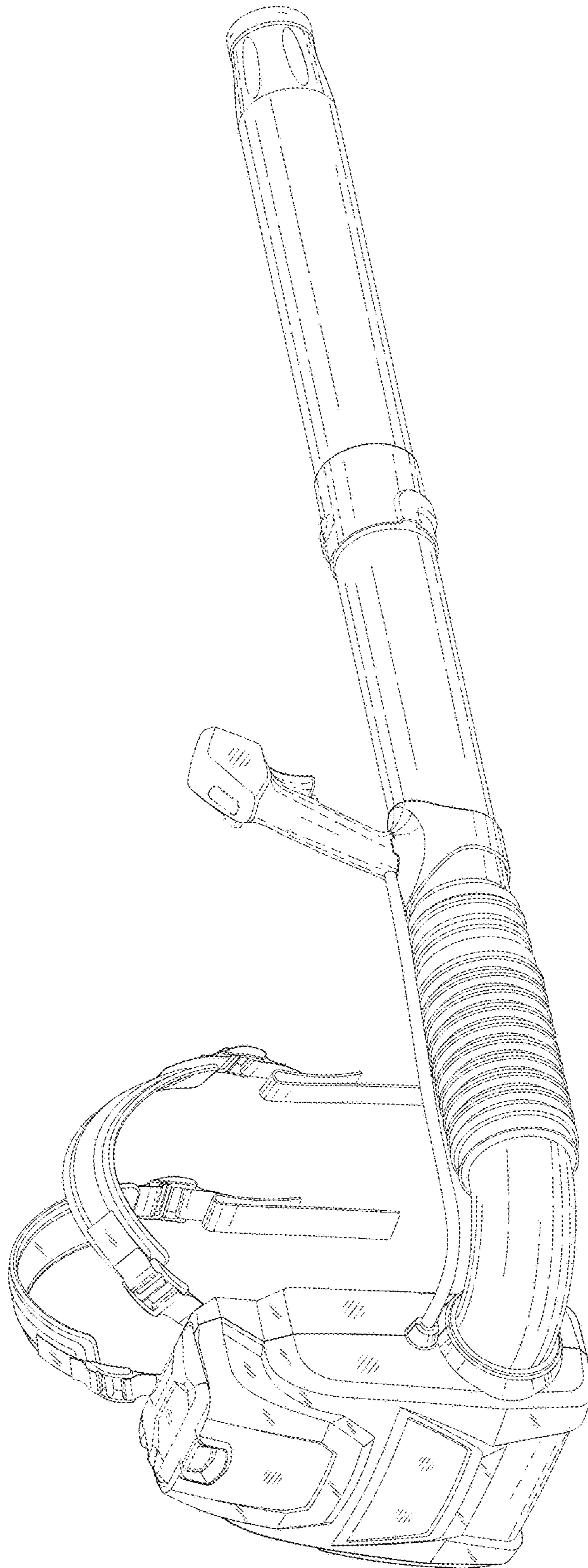


Fig. 6

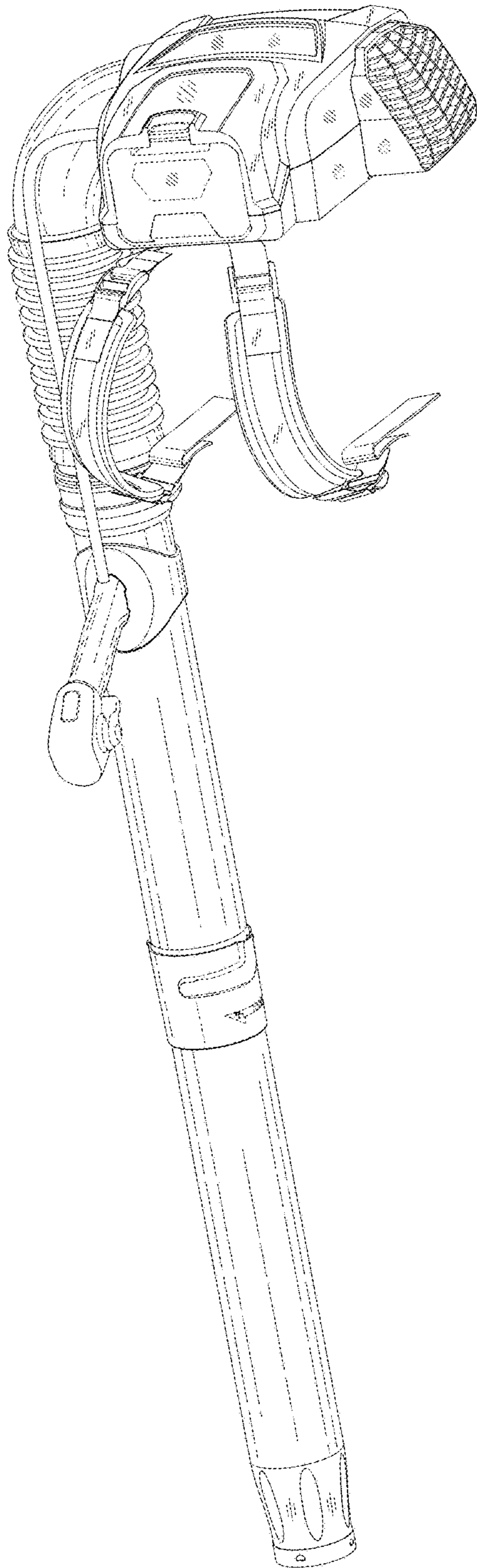


Fig. 7

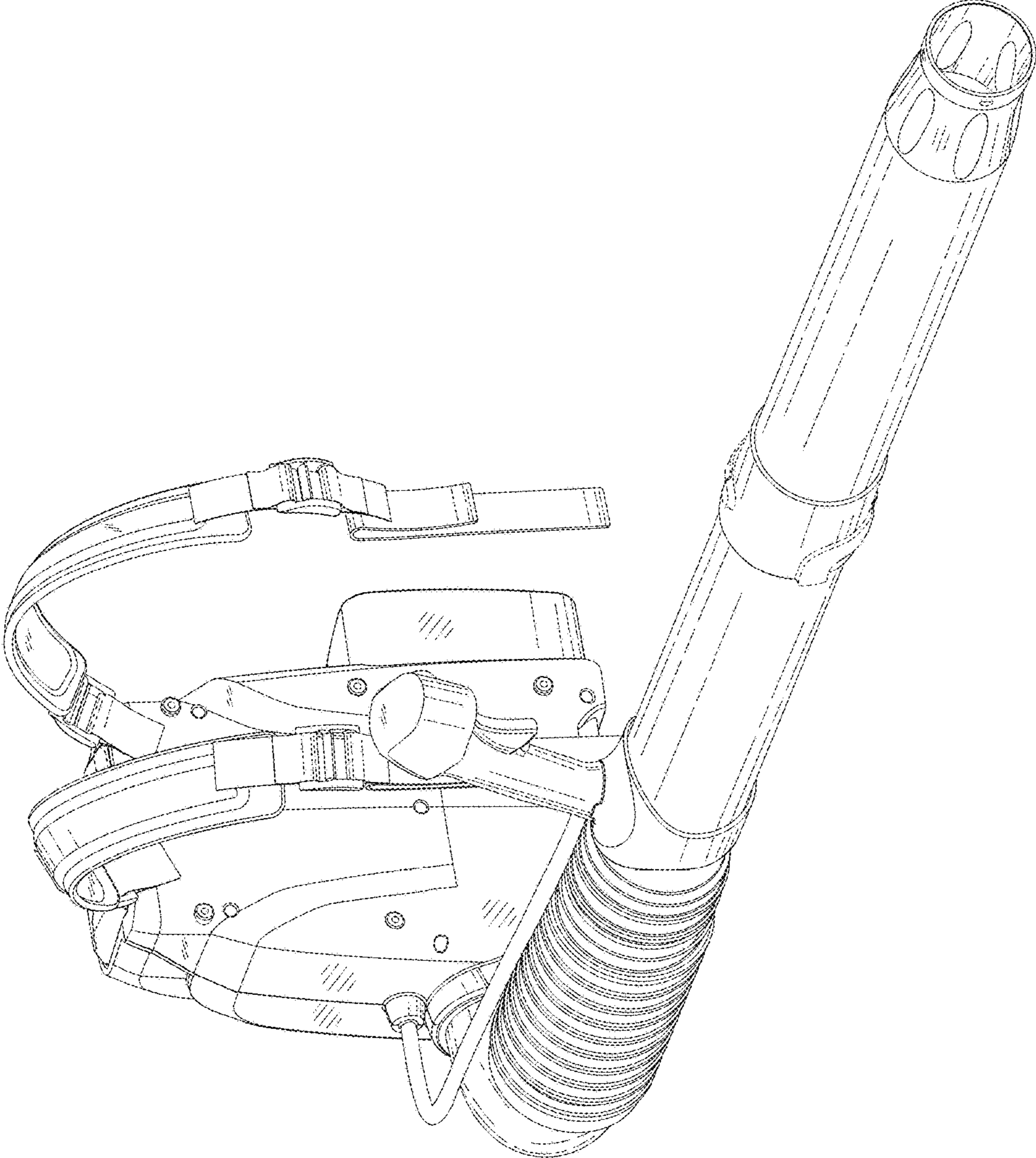


Fig. 8

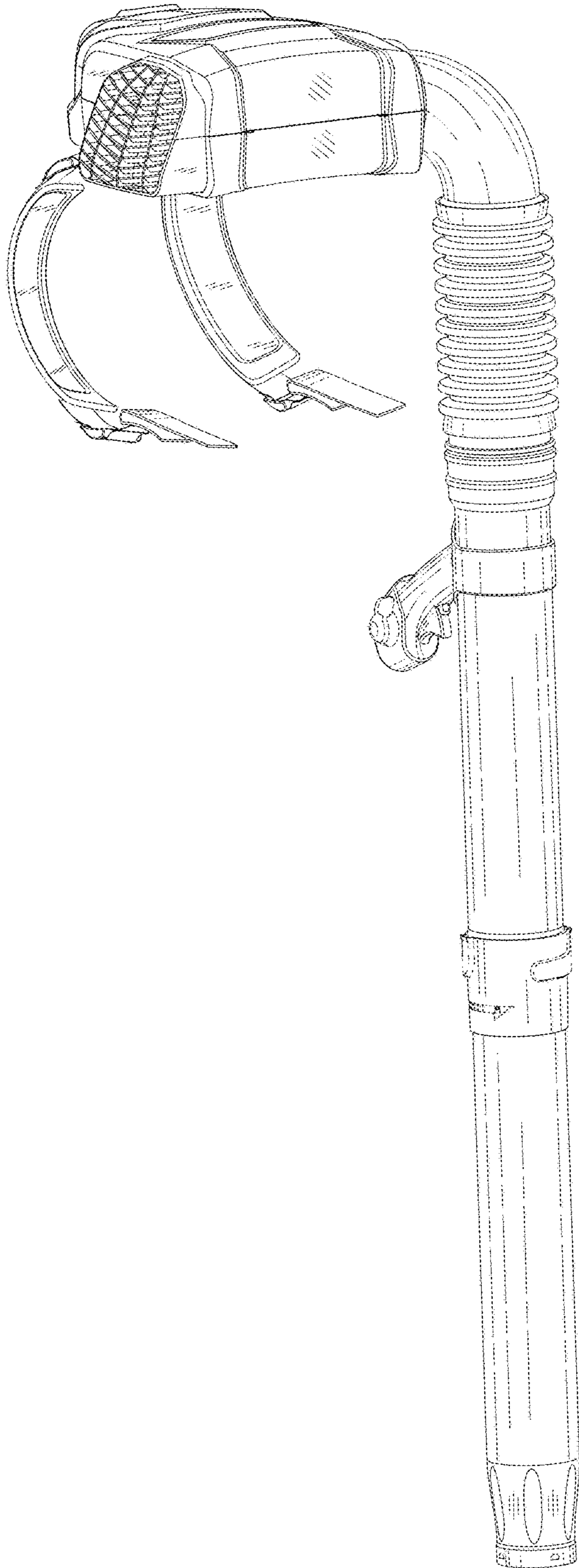


Fig. 9