



US00D796753S

(12) **United States Design Patent**
Prado Costa

(10) **Patent No.:** **US D796,753 S**
(45) **Date of Patent:** **** Sep. 5, 2017**

- (54) **DRY CLEANING EQUIPMENT**
- (71) Applicant: **SERVI SECO SA**, Barcelona (ES)
- (72) Inventor: **Román Prado Costa**, Barcelona (ES)
- (73) Assignee: **SERVI SECO SA**, Cerdanyola del Vallès (ES)
- (**) Term: **15 Years**
- (21) Appl. No.: **29/538,357**
- (22) Filed: **Sep. 2, 2015**
- (51) **LOC (10) Cl.** **15-05**
- (52) **U.S. Cl.**
USPC **D32/10**
- (58) **Field of Classification Search**
USPC D32/1, 5-6, 8, 25, 28, 29, 10
CPC D06F 33/02; D06F 2204/065; D06F 25/00;
D06F 35/006; D06F 37/28; D06F 39/14;
D06F 58/00; D06F 58/02; D06F 58/04;
D06F 58/20; D06F 19/042; D06F 23/04
See application file for complete search history.

(56) **References Cited**

U.S. PATENT DOCUMENTS

- 2,741,113 A * 4/1956 Norkus D06F 43/06
68/205 R
- 3,049,903 A * 8/1962 Sussman D06F 73/02
68/12.12
- 3,102,796 A * 9/1963 Erickson D06F 58/02
198/699.1
- 3,426,555 A * 2/1969 McCutcheon, Jr. D06F 43/08
68/12.08
- 3,739,496 A * 6/1973 Buckley D06F 73/02
312/271
- 4,180,919 A * 1/1980 Baltes D06F 57/12
34/449
- 4,682,424 A * 7/1987 Irving D06F 58/10
211/123
- D320,877 S * 10/1991 Renzacci D32/6

- 5,555,640 A * 9/1996 Ou A47L 19/00
211/133.6
- 5,755,040 A * 5/1998 Ou A47L 23/205
34/202
- 5,815,961 A * 10/1998 Estes D06F 73/02
223/67

(Continued)

Primary Examiner — Michael A. Pratt
Assistant Examiner — Michelle E Wilson
(74) *Attorney, Agent, or Firm* — Im IP Law; C. Andrew Im

(57) **CLAIM**

The ornamental design for a dry cleaning equipment, as shown and described.

DESCRIPTION

FIG. 1 is a front view of a dry cleaning equipment in accordance with an exemplary embodiment of the claimed invention;

FIG. 2 is a front-right side perspective view of the dry cleaning equipment of FIG. 1 in accordance with an exemplary embodiment of the claimed invention;

FIG. 3 is a front-left side perspective view of the dry cleaning equipment of FIG. 1 in accordance with an exemplary embodiment of the claimed invention;

FIG. 4 is a right side view of the dry cleaning equipment of FIG. 1 in accordance with an exemplary embodiment of the claimed invention;

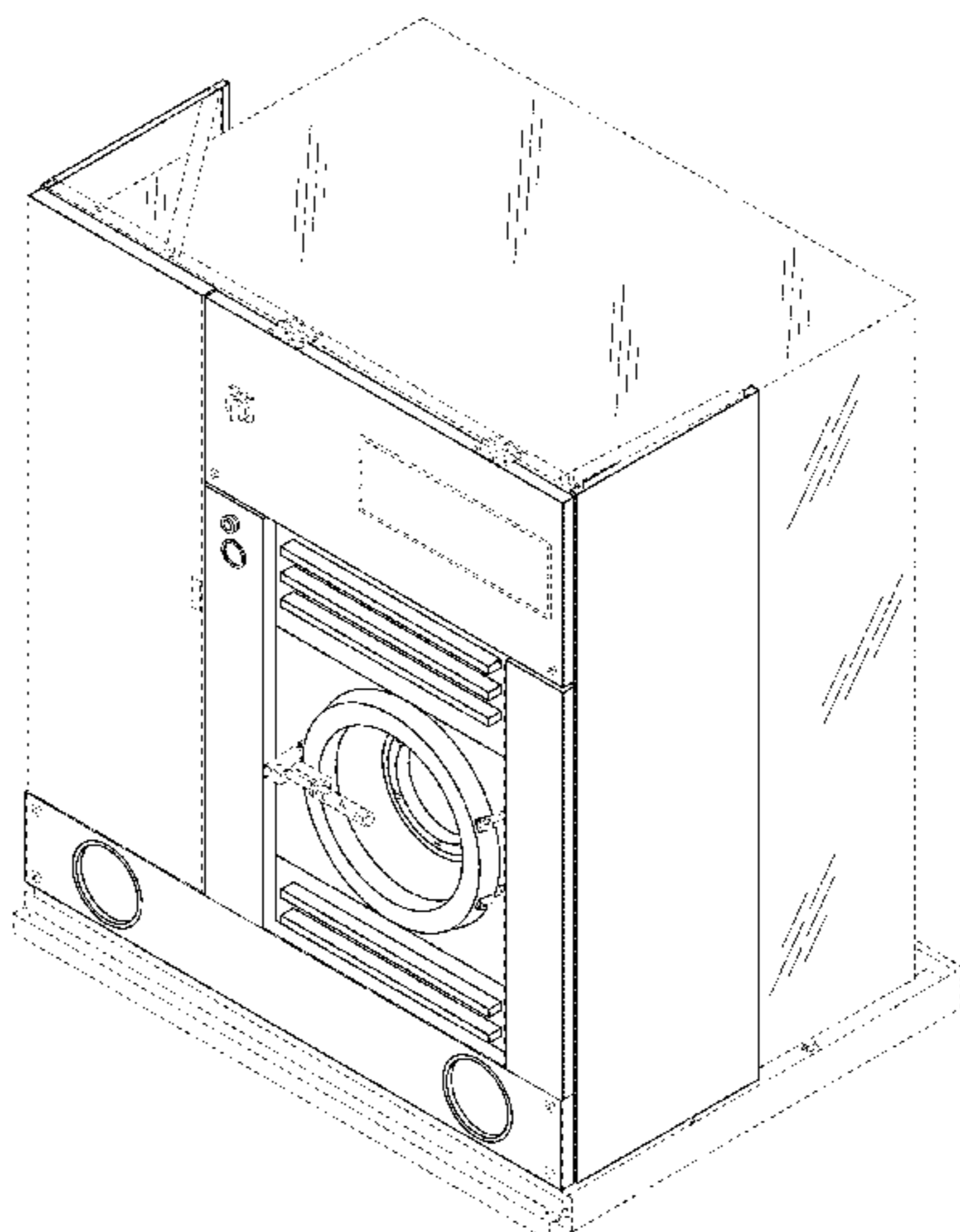
FIG. 5 is a left side view of the dry cleaning equipment of FIG. 1 in accordance with an exemplary embodiment of the claimed invention;

FIG. 6 is a top view of the dry cleaning equipment of FIG. 1 in accordance with an exemplary embodiment of the claimed invention; and,

FIG. 7 is a bottom view of the dry cleaning equipment of FIG. 1 in accordance with an exemplary embodiment of the claimed invention.

All broken lines depict unclaimed environment and form no part of the claimed design.

1 Claim, 7 Drawing Sheets



(56)

References Cited

U.S. PATENT DOCUMENTS

6,018,885 A * 2/2000 Hill D06F 58/10
34/202
6,427,365 B2 * 8/2002 MacGregor D06F 73/02
38/1 A
D476,782 S * 7/2003 Huddleston D32/6
D532,563 S * 11/2006 Kim D32/6
7,367,137 B2 * 5/2008 Jonsson D06F 58/10
34/265
D622,456 S * 8/2010 Kim D32/8
D638,592 S * 5/2011 Suh D32/8
D640,430 S * 6/2011 Jee D32/6
D643,165 S * 8/2011 Song D32/8
D659,917 S * 5/2012 Jeon D32/10
D671,282 S * 11/2012 Jeon D32/10
D728,174 S * 4/2015 Hedegaard D32/1
2004/0134087 A1 * 7/2004 Meyer D06F 58/10
34/90
2007/0151302 A1 * 7/2007 Kendall D06F 29/00
68/3 R
2008/0136295 A1 * 6/2008 Aizpuru Borda D06F 58/10
312/31

* cited by examiner

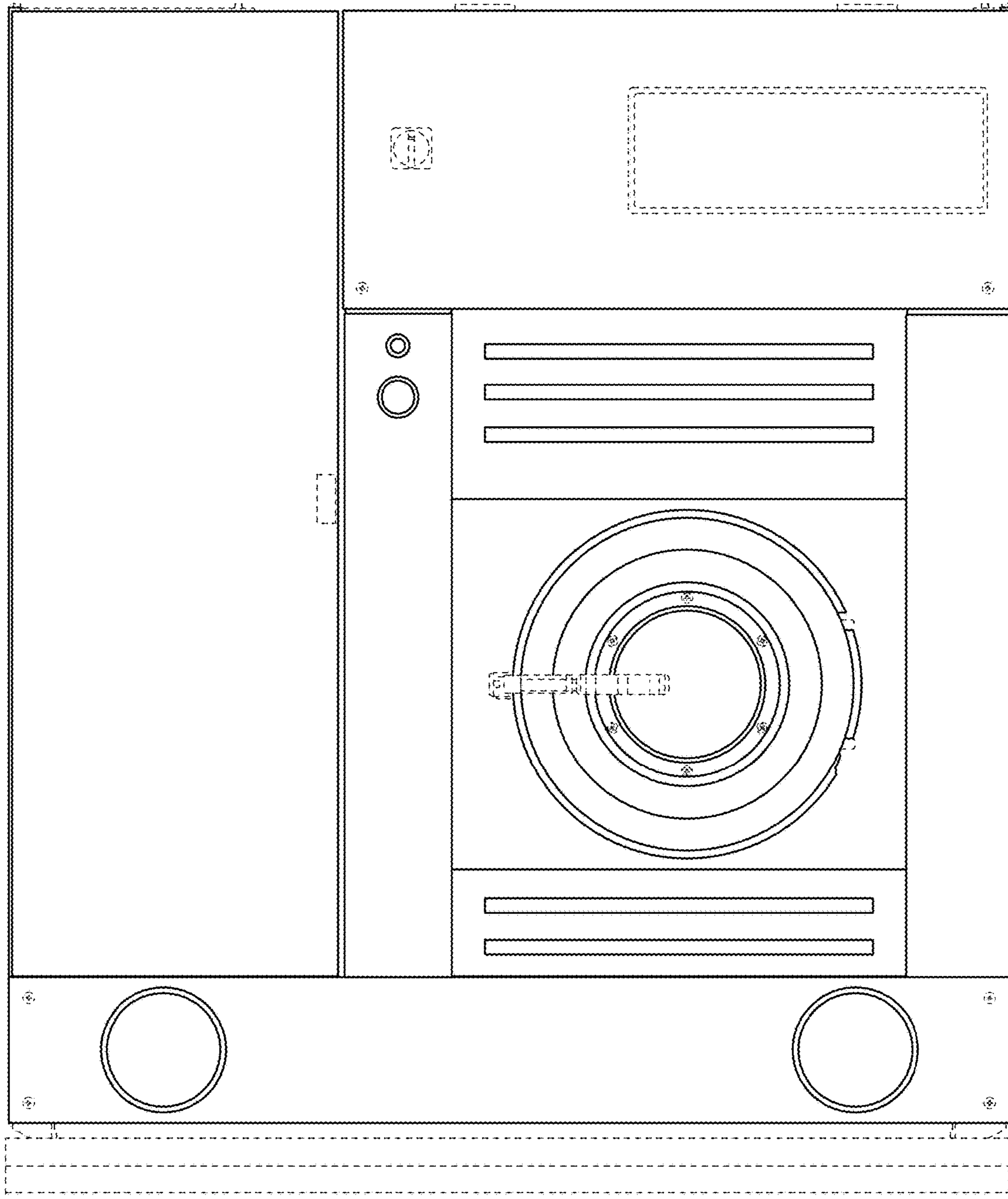


FIG. 1

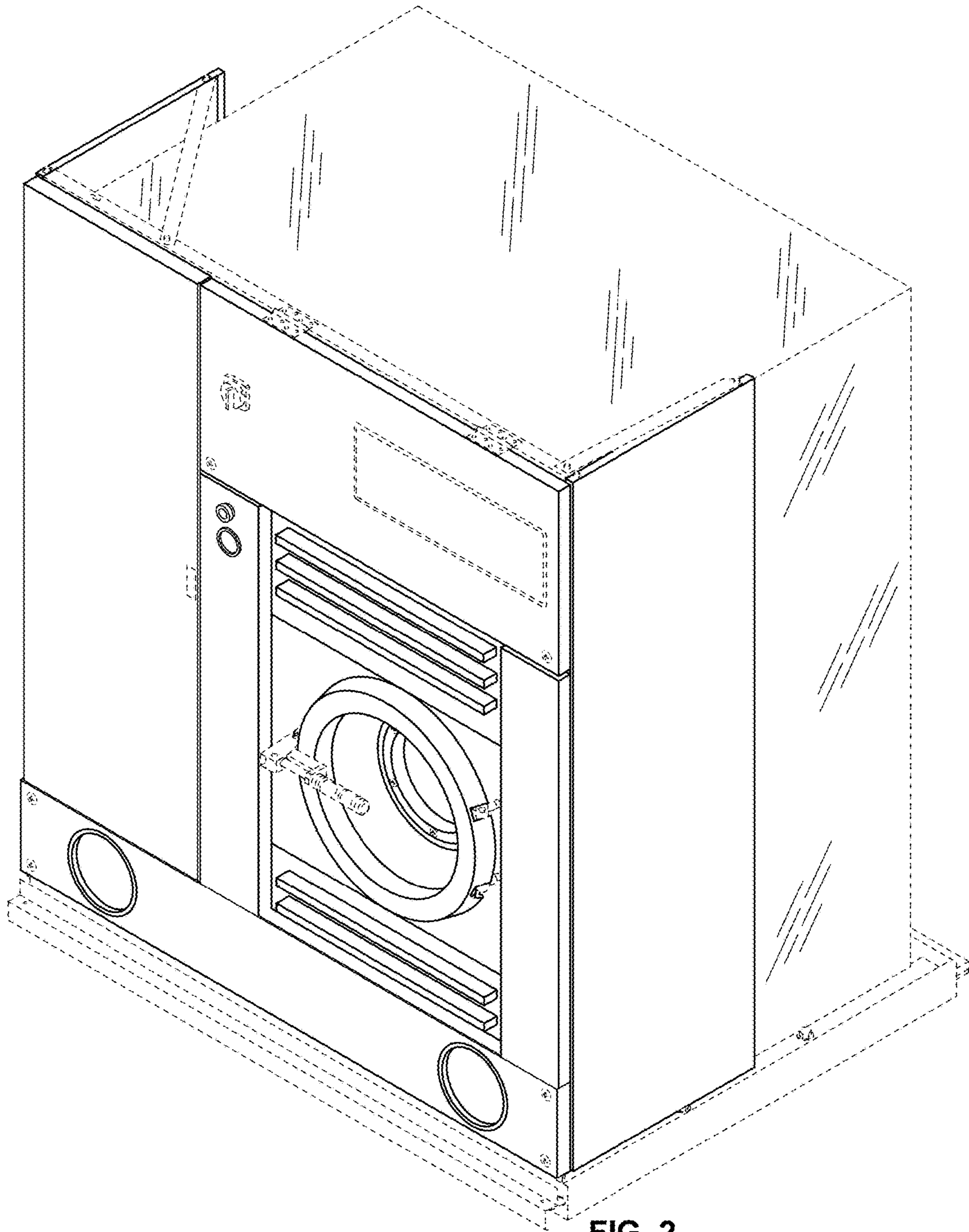


FIG. 2

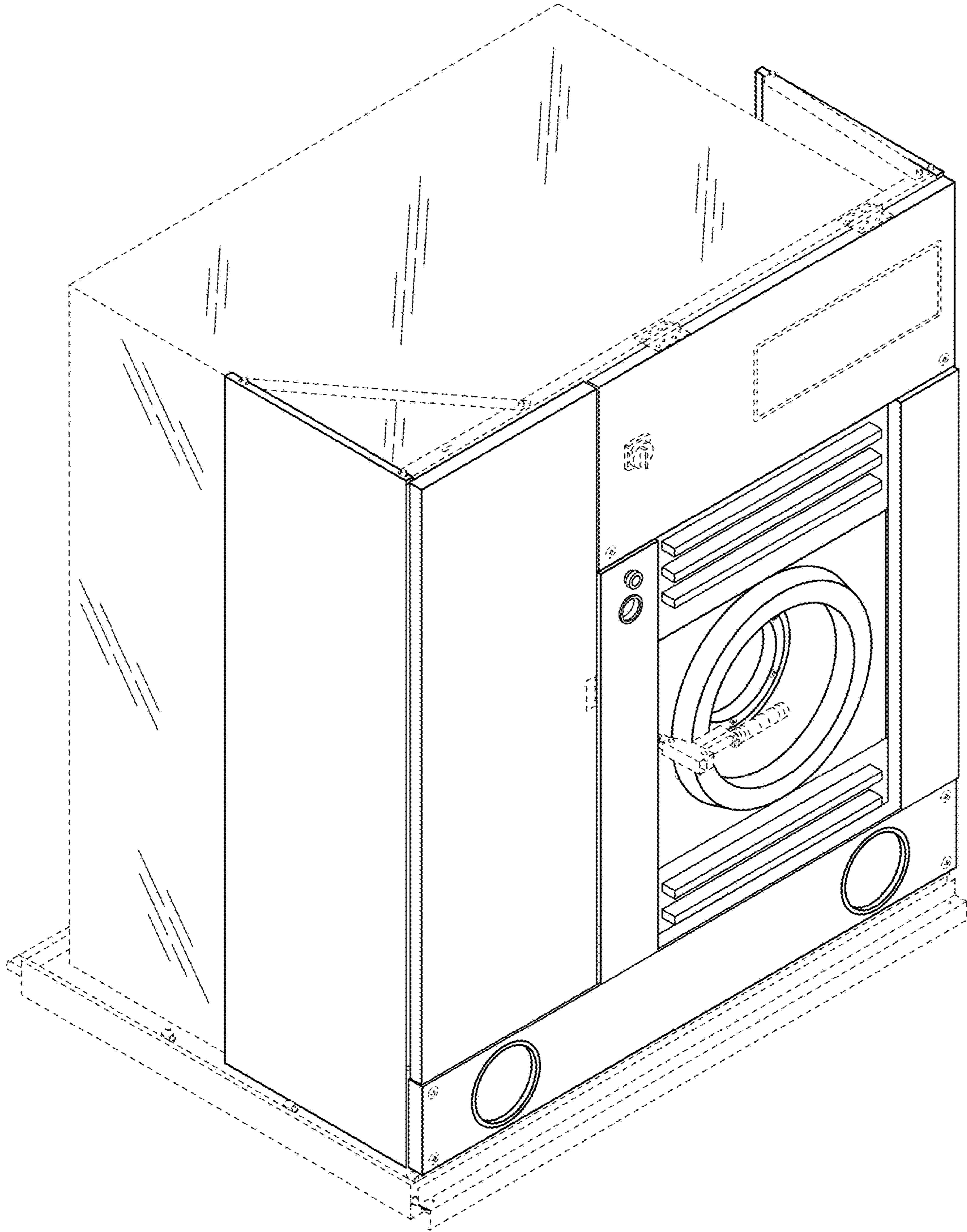


FIG. 3

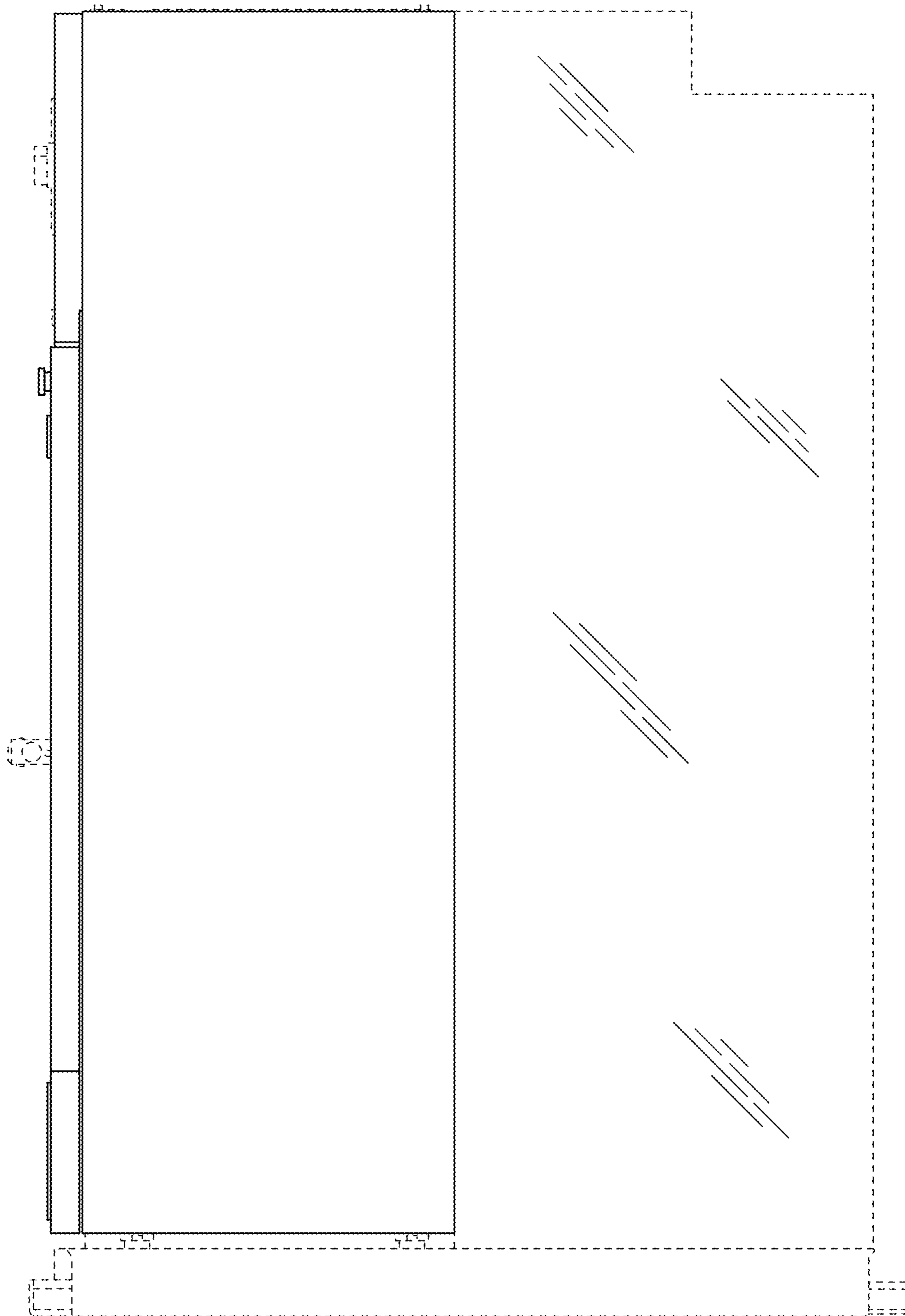


FIG. 4

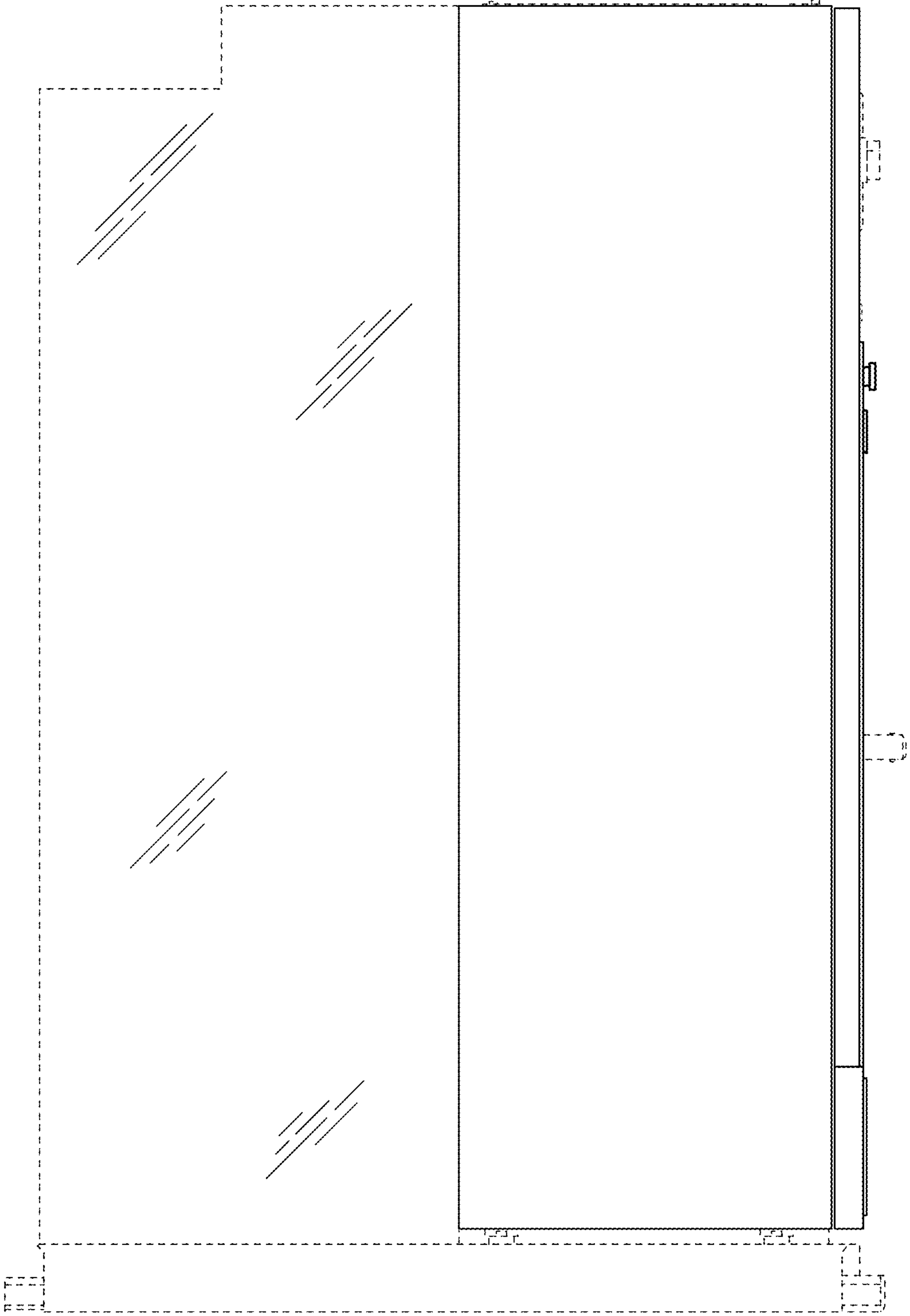


FIG. 5

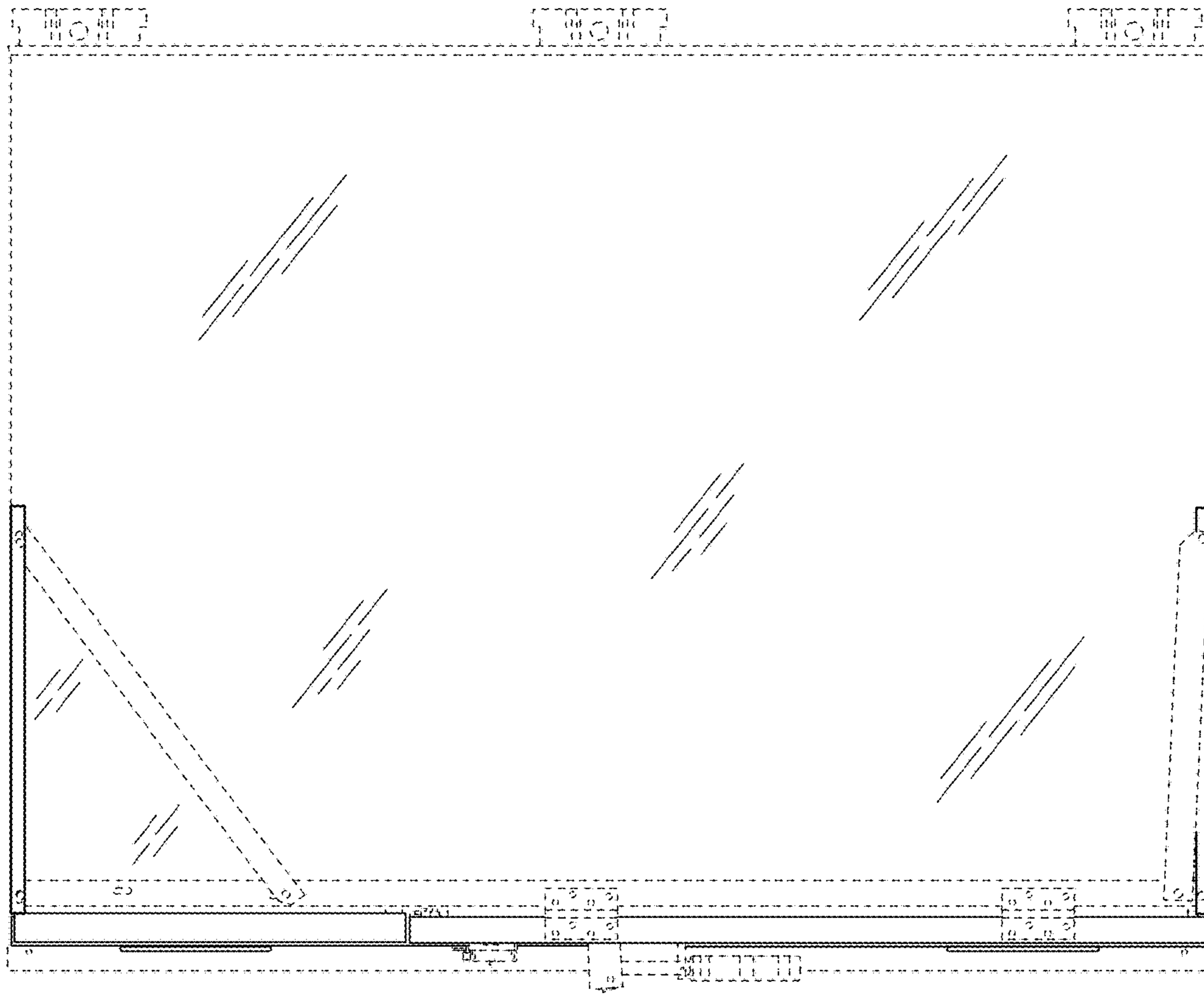


FIG. 6

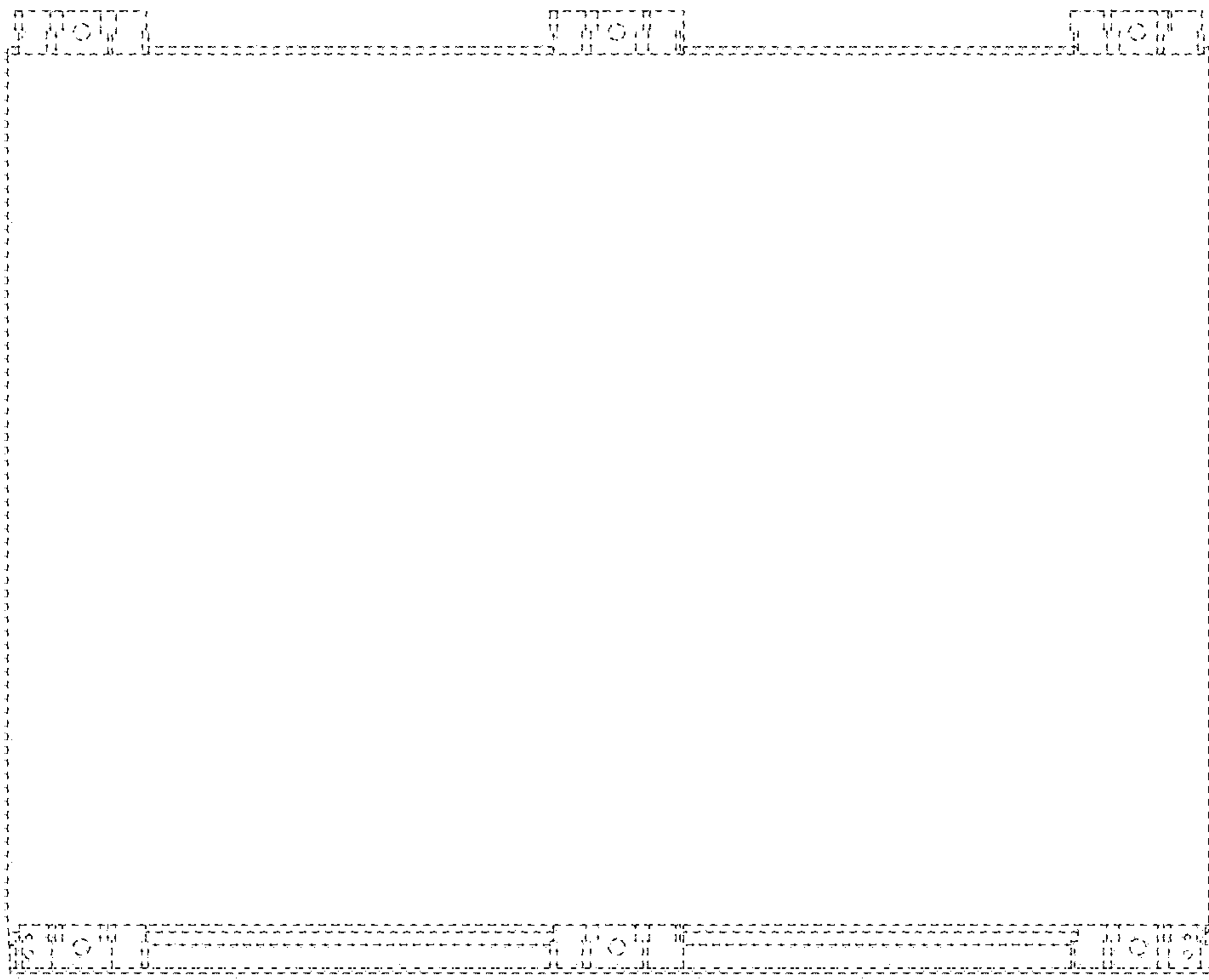


FIG. 7