



US00D796751S

(12) **United States Design Patent** (10) **Patent No.:** **US D796,751 S**  
**Grobleben et al.** (45) **Date of Patent:** **\*\* Sep. 5, 2017**

(54) **DISPLAY FOR DISHWASHER**

(56) **References Cited**

(71) Applicant: **BSH Bosch und Siemens Hausgeräte GmbH**, Munich (DE)

U.S. PATENT DOCUMENTS

(72) Inventors: **Ralf Grobleben**, Bretten (DE); **Thomas Knöller**, Neusäß (DE); **Elena Leinmüller**, Ottobrunn (RU); **Gerhard Nüssler**, München (DE)

|              |         |             |       |        |
|--------------|---------|-------------|-------|--------|
| D493,581 S * | 7/2004  | Ott         | ..... | D32/3  |
| D495,104 S * | 8/2004  | Kaczmarek   | ..... | D32/3  |
| D511,031 S * | 10/2005 | Ott         | ..... | D32/3  |
| D511,272 S * | 11/2005 | Grutzke     | ..... | D7/405 |
| D530,048 S * | 10/2006 | Knochner    | ..... | D32/3  |
| D533,691 S * | 12/2006 | Knochner    | ..... | D32/3  |
| D539,992 S * | 4/2007  | Yamamoto    | ..... | D32/2  |
| D545,009 S * | 6/2007  | Jung        | ..... | D32/2  |
| D561,956 S * | 2/2008  | Baldwin     | ..... | D32/3  |
| D568,563 S * | 5/2008  | Stephens    | ..... | D32/28 |
| D620,648 S * | 7/2010  | Grobleben   | ..... | D32/3  |
| D622,914 S * | 8/2010  | Crookshanks | ..... | D32/3  |
| D625,475 S * | 10/2010 | Kim         | ..... | D32/3  |
| D629,574 S * | 12/2010 | Kaczmarek   | ..... | D32/3  |
| D629,979 S * | 12/2010 | Kaczmarek   | ..... | D32/3  |
| D630,804 S * | 1/2011  | Ott         | ..... | D32/3  |
| D630,805 S * | 1/2011  | Ott         | ..... | D32/3  |
| D630,806 S * | 1/2011  | Kaczmarek   | ..... | D32/3  |
| D633,664 S * | 3/2011  | Jenkins     | ..... | D32/3  |
| D635,312 S * | 3/2011  | Kaczmarek   | ..... | D32/3  |
| D640,429 S * | 6/2011  | Grobleben   | ..... | D32/3  |

(73) Assignee: **BSH Hausgeräte GmbH**, Munich (DE)

(\*\*) Term: **14 Years**

(21) Appl. No.: **29/526,050**

(22) Filed: **May 6, 2015**

**Related U.S. Application Data**

(62) Division of application No. 29/467,293, filed on Sep. 18, 2013, now Pat. No. Des. 733,980, which is a division of application No. 29/405,398, filed on Nov. 2, 2011, now Pat. No. Des. 693,069, which is a division of application No. 29/385,097, filed on Feb. 9, 2011, now Pat. No. Des. 653,821, which is a division of application No. 29/359,268, filed on Apr. 8, 2010, now Pat. No. Des. 640,429, which is a division of application No. 29/312,250, filed on Oct. 8, 2008, now Pat. No. Des. 620,648.

(Continued)

*Primary Examiner* — Eric Goodman

*Assistant Examiner* — Amy Wierenga

(74) *Attorney, Agent, or Firm* — Michael E. Tschupp; Andre Pallapias

(30) **Foreign Application Priority Data**

Apr. 15, 2008 (EM) ..... 000927512

(51) **LOC (10) Cl.** ..... **15-05**

(52) **U.S. Cl.**  
USPC ..... **D32/3**

(58) **Field of Classification Search**  
USPC ..... D7/340, 348–350, 405; D32/1–3, 25, 28  
CPC ..... A47L 15/4221; A47L 15/4225; A47L 15/4246; A47L 15/4257; A47L 15/4259; A47L 15/4265

See application file for complete search history.

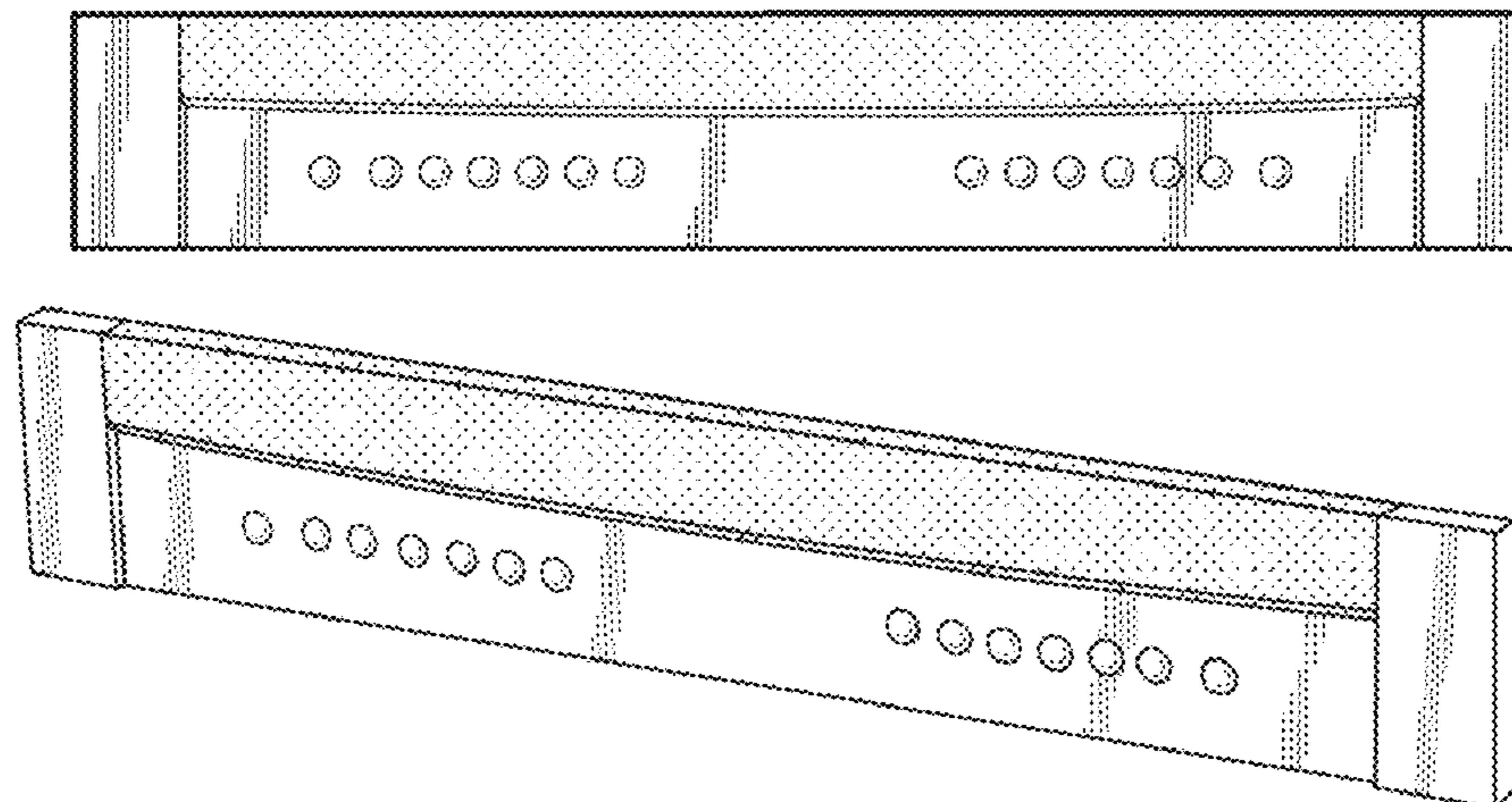
(57) **CLAIM**

The ornamental design for a display for dishwasher, as shown and described.

**DESCRIPTION**

FIG. 1 is a front view of a display for dishwasher showing our new ornamental design; and, FIG. 2 is a perspective view thereof.

**1 Claim, 1 Drawing Sheet**



(56)

**References Cited**

U.S. PATENT DOCUMENTS

|          |   |   |         |           |       |        |
|----------|---|---|---------|-----------|-------|--------|
| D640,843 | S | * | 6/2011  | Benold    | ..... | D32/3  |
| D640,844 | S | * | 6/2011  | Benold    | ..... | D32/3  |
| D641,939 | S | * | 7/2011  | Ott       | ..... | D32/3  |
| D642,751 | S | * | 8/2011  | Jenkins   | ..... | D32/3  |
| D645,621 | S | * | 9/2011  | Jenkins   | ..... | D32/3  |
| D653,821 | S | * | 2/2012  | Grobleben | ..... | D32/3  |
| D693,069 | S | * | 11/2013 | Grobleben | ..... | D32/3  |
| D701,415 | S | * | 3/2014  | Sin       | ..... | D7/349 |
| D733,980 | S | * | 7/2015  | Grobleben | ..... | D32/3  |
| D743,118 | S | * | 11/2015 | Lee       | ..... | D32/2  |
| D746,003 | S | * | 12/2015 | Shin      | ..... | D32/2  |

\* cited by examiner

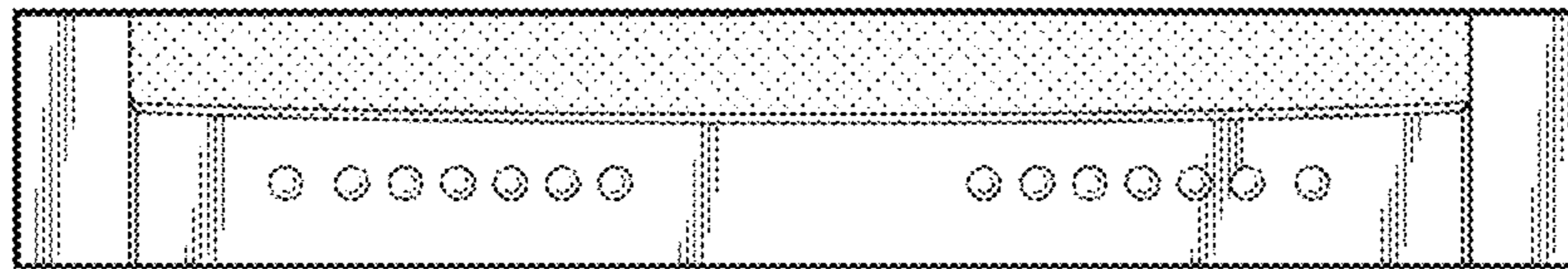


FIG. 1

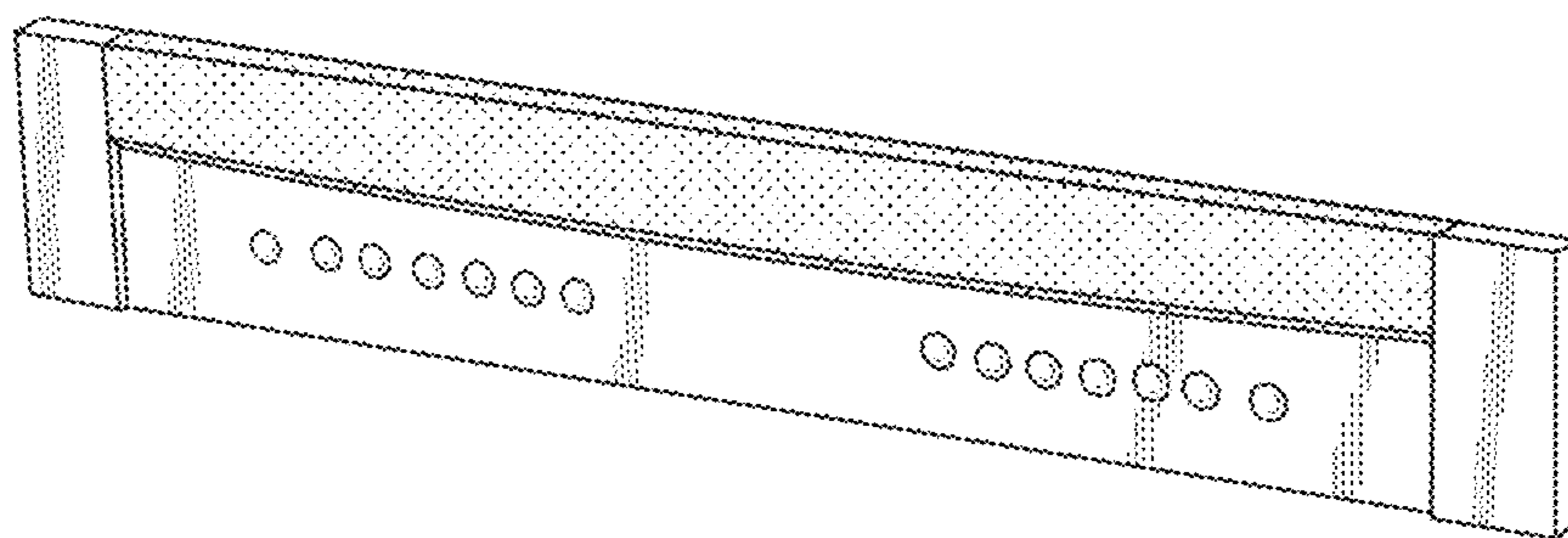


FIG. 2