



US00D796749S

(12) **United States Design Patent** (10) **Patent No.:** **US D796,749 S**  
**Kessler et al.** (45) **Date of Patent:** **\*\* Sep. 5, 2017**

(54) **ULTRASONIC CLEANER**  
 (71) Applicant: **Sy Kessler Sales, Inc.**, Dallas, TX (US)  
 (72) Inventors: **Daniel L. Kessler**, Dallas, TX (US);  
**Henry M. Kessler**, Dallas, TX (US)  
 (73) Assignee: **Sy Kessler Sales, Inc.**, Dallas, TX (US)  
 (\*\*) Term: **15 Years**  
 (21) Appl. No.: **29/566,993**

D307,654 S 5/1990 Weirsman et al.  
 D315,039 S \* 2/1991 Wortham ..... D32/1  
 D315,040 S 2/1991 Miller  
 D322,337 S \* 12/1991 Padgett ..... D32/1  
 D330,086 S 10/1992 Chen  
 D341,233 S 11/1993 Muller  
 D343,704 S 1/1994 Bucher  
 D386,847 S 11/1997 Petrie  
 D406,416 S 3/1999 Chan  
 D410,091 S 5/1999 Rehmeyer et al.  
 D463,076 S 9/2002 Nottingham et al.  
 D477,442 S 7/2003 Christianson  
 D510,464 S 10/2005 Christianson

(Continued)

(22) Filed: **Jun. 3, 2016**  
 (51) **LOC (10) Cl.** ..... **15-05**  
 (52) **U.S. Cl.**  
 USPC ..... **D32/1**  
 (58) **Field of Classification Search**  
 USPC ..... D32/1, 15, 16; D28/9, 73-78; D24/107,  
 D24/117, 167, 186, 217; 451/64, 65;  
 134/84, 85, 6, 11, 137, 159, 184  
 CPC ..... A47L 11/125  
 See application file for complete search history.

*Primary Examiner* — Susan Bennett Hattan  
*Assistant Examiner* — Rebecca Tsehaye  
 (74) *Attorney, Agent, or Firm* — Scott T. Griggs; Griggs  
 Bergen LLP

(57) **CLAIM**

The ornamental design for an ultrasonic cleaner, as shown and described.

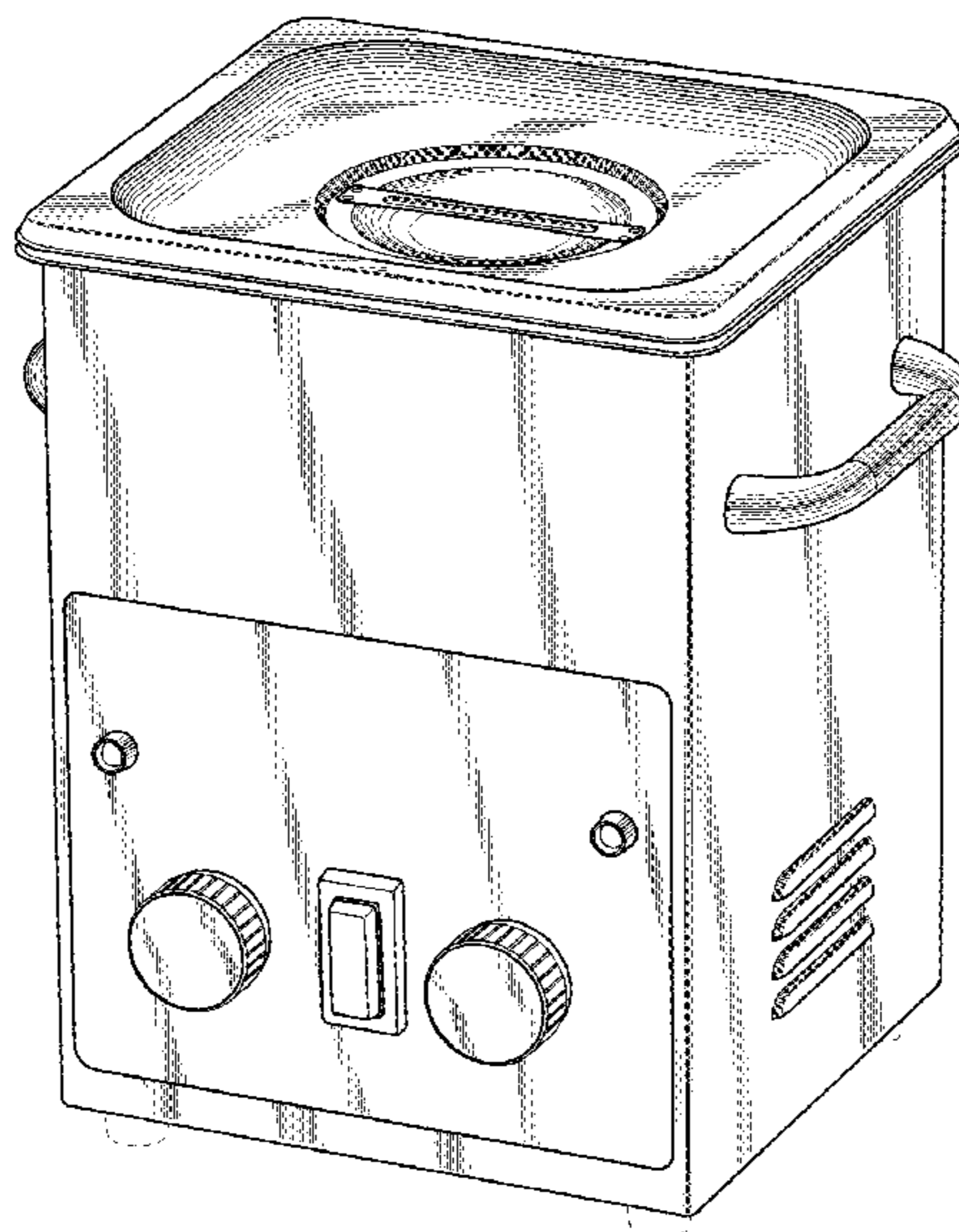
**DESCRIPTION**

(56) **References Cited**  
 U.S. PATENT DOCUMENTS

2,362,251	A	11/1944	Eggleton	
2,627,276	A	2/1953	Eggleton	
3,135,987	A	6/1964	Huch	
D204,306	S	4/1966	Hamm	
3,291,458	A	12/1966	Hamm	
3,640,295	A *	2/1972	Peterson	..... B08B 3/12 134/1
D243,556	S	3/1977	Thomas	
D259,425	S	6/1981	Doyel	
D261,423	S *	10/1981	Geissler	..... D24/217
D266,794	S	11/1982	Puskas et al.	
D300,677	S	4/1989	Van Hoyo	
4,852,594	A	8/1989	Chen	
D303,442	S	9/1989	Harrison	
D307,653	S *	5/1990	Weirsman	..... D32/1

FIG. 1 is a front top perspective view of an ultrasonic cleaner;  
 FIG. 2 is a top plan view of the ultrasonic cleaner as shown in FIG. 1;  
 FIG. 3 is a bottom plan view of the ultrasonic cleaner as shown in FIG. 1;  
 FIG. 4 is a front elevation view of the ultrasonic cleaner as shown in FIG. 1;  
 FIG. 5 is a left side elevation view of the ultrasonic cleaner as shown in FIG. 1, which includes left-right symmetry; and,  
 FIG. 6 is a rear elevation view of the ultrasonic cleaner as shown in FIG. 1.  
 The dashed lines in the drawings depict portions of the ultrasonic cleaner that form no part of the claimed design.

**1 Claim, 2 Drawing Sheets**



(56)

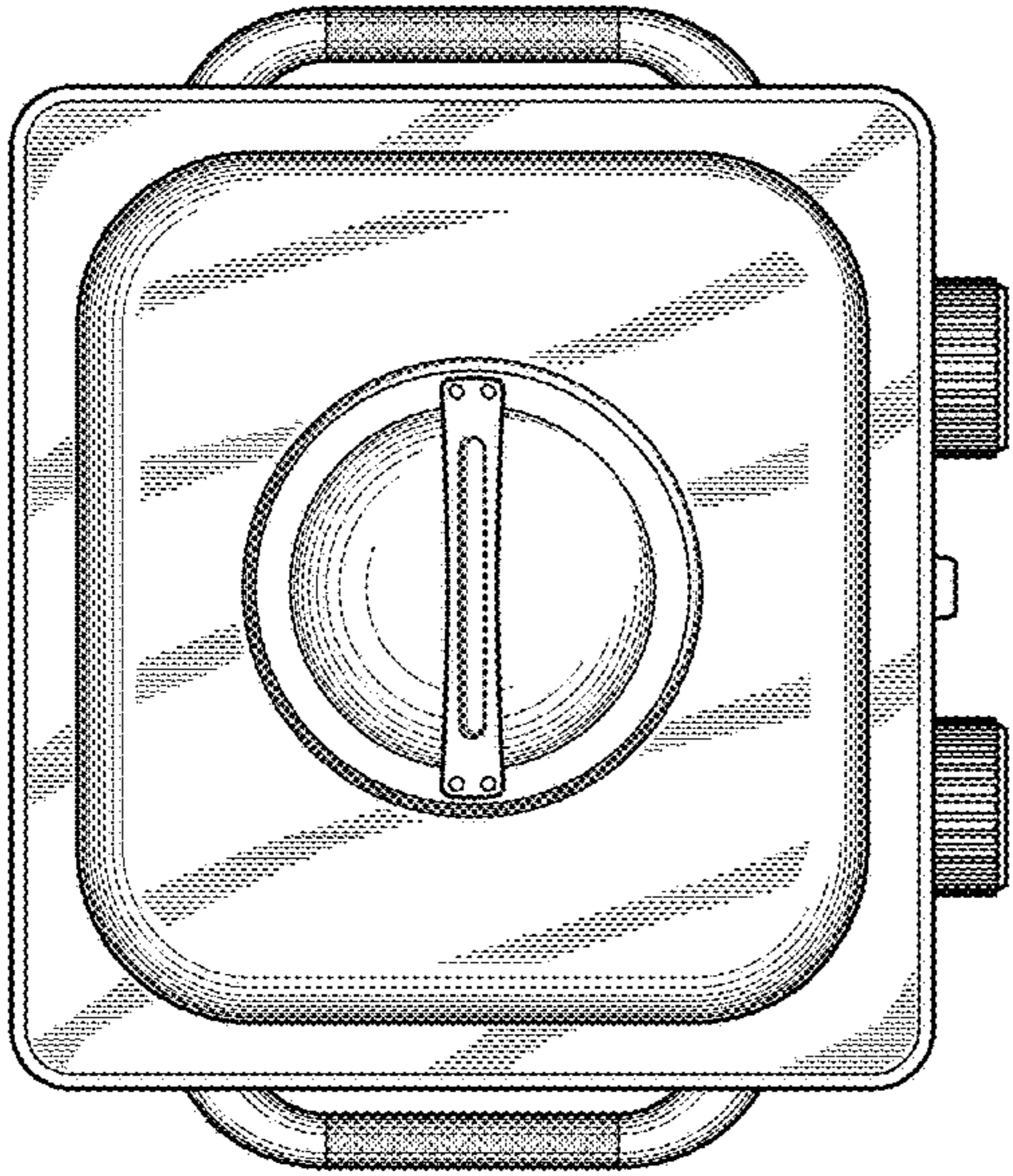
**References Cited**

U.S. PATENT DOCUMENTS

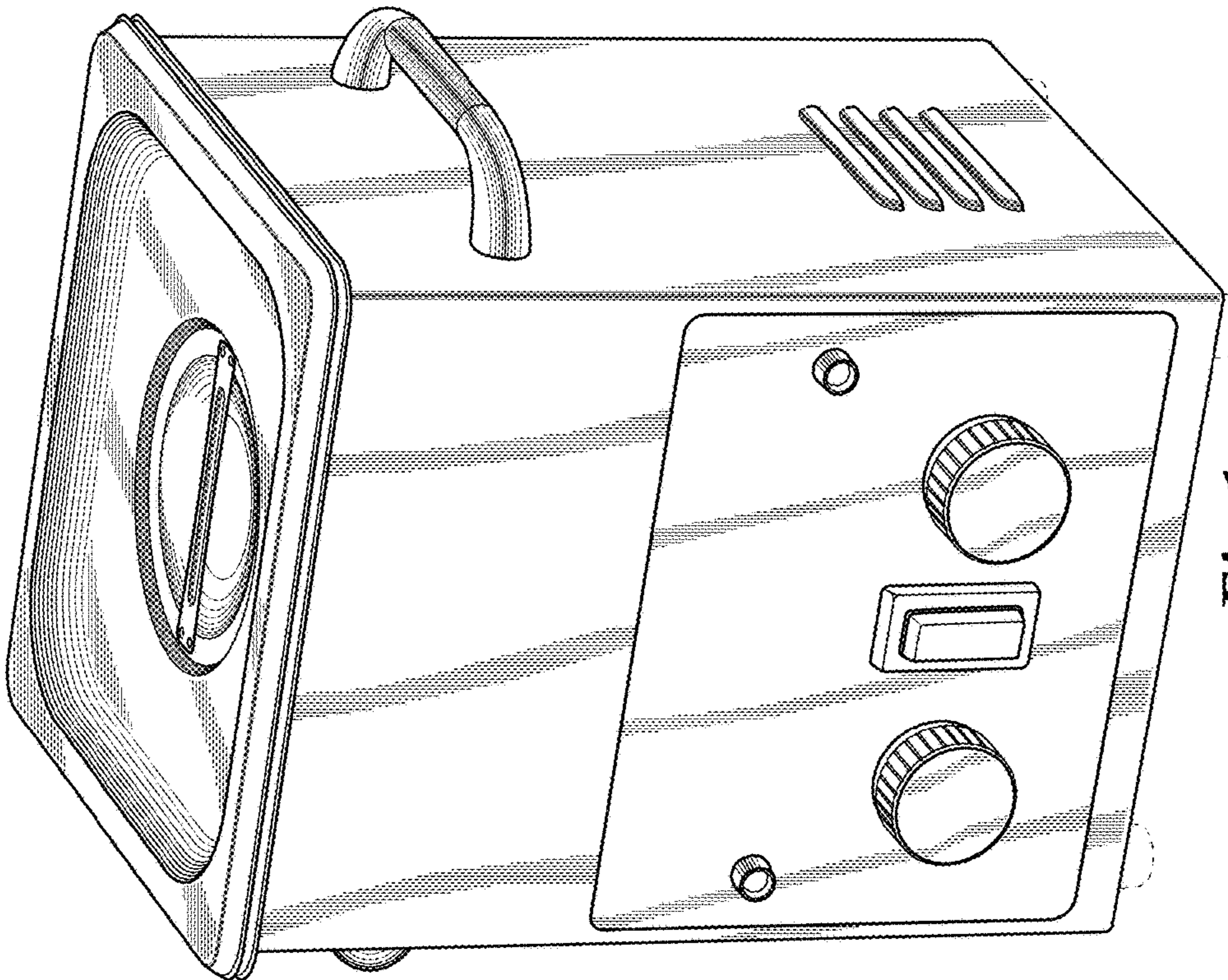
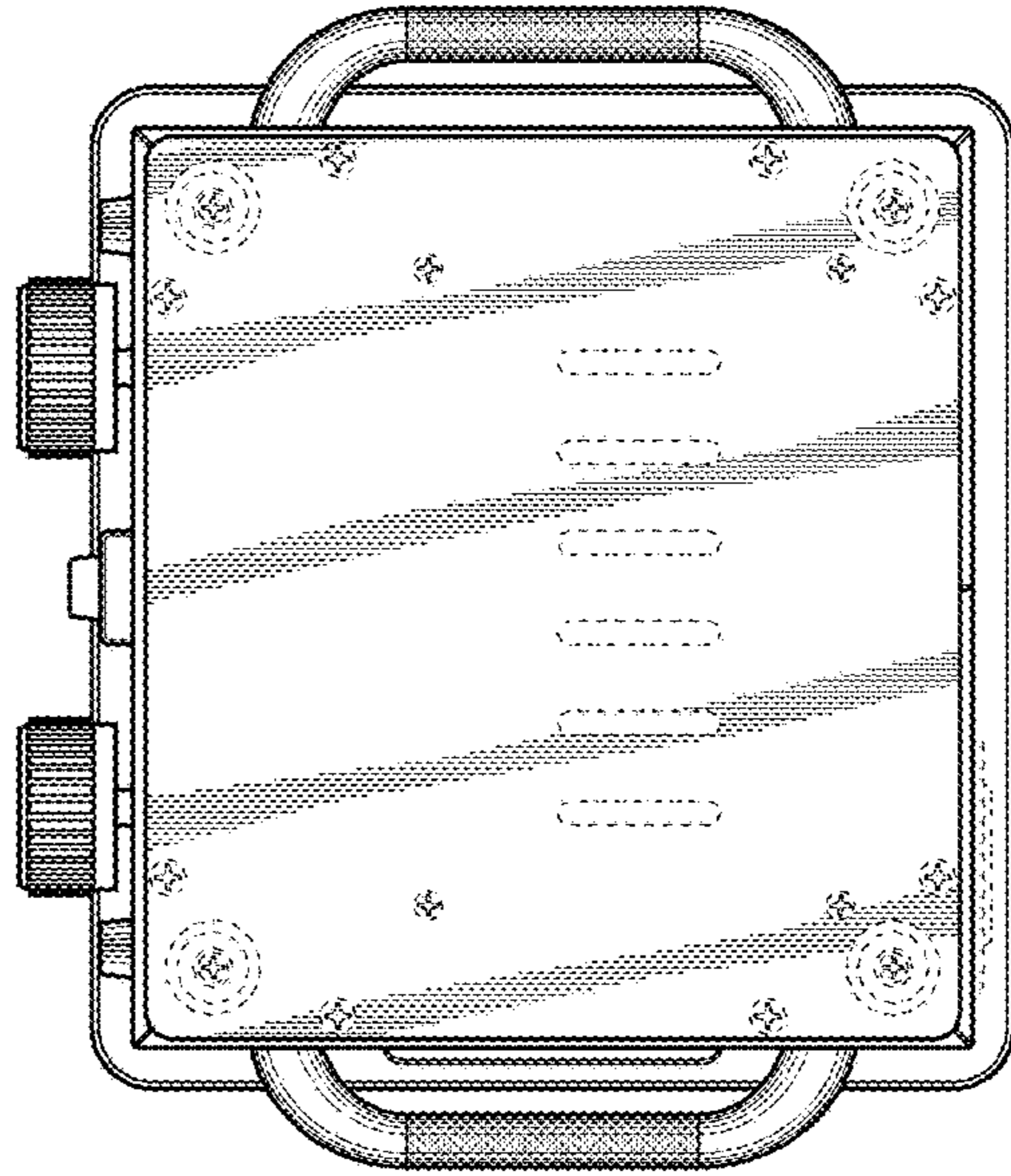
D516,257 S	2/2006	Brackett et al.	
D524,998 S	7/2006	Nickerson et al.	
D532,562 S	11/2006	Ifejika	
D536,491 S	2/2007	Schumaier	
D575,912 S	8/2008	Mangano	
7,448,398 B2	11/2008	Glucksman	
7,451,772 B2	11/2008	Gilbert et al.	
D593,262 S	5/2009	Gong	
D633,663 S *	3/2011	Choi .....	D32/1
D678,634 S *	3/2013	Liao .....	D32/1
D685,540 S *	7/2013	Yao .....	D32/1
D704,349 S *	5/2014	Williams .....	D24/217
D748,872 S *	2/2016	Yao .....	D32/1
D763,521 S *	8/2016	Yao .....	D32/1
D778,004 S *	1/2017	Yao .....	D32/1

\* cited by examiner

*Fig.2*



*Fig.3*



*Fig.1*

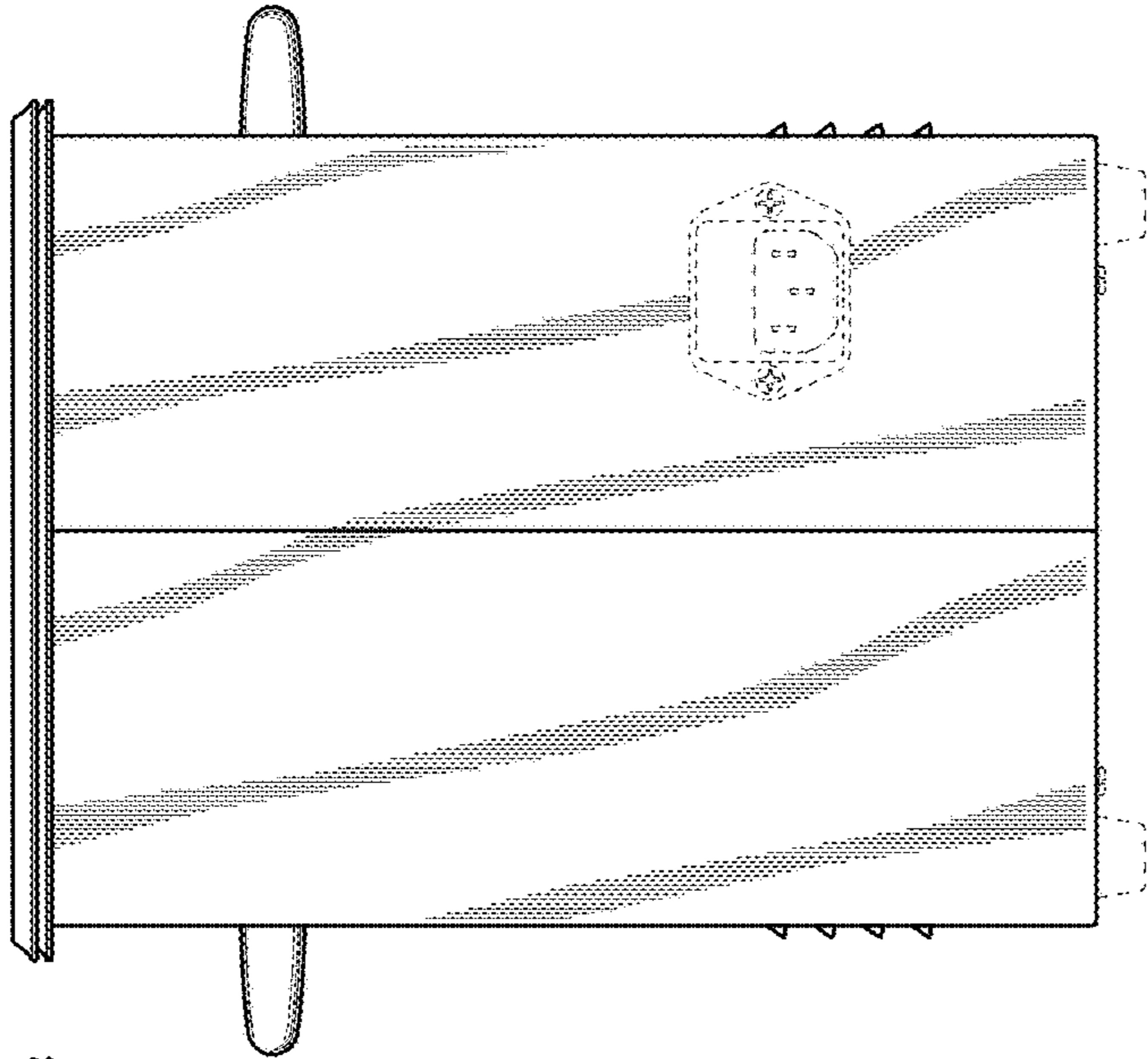


Fig.4

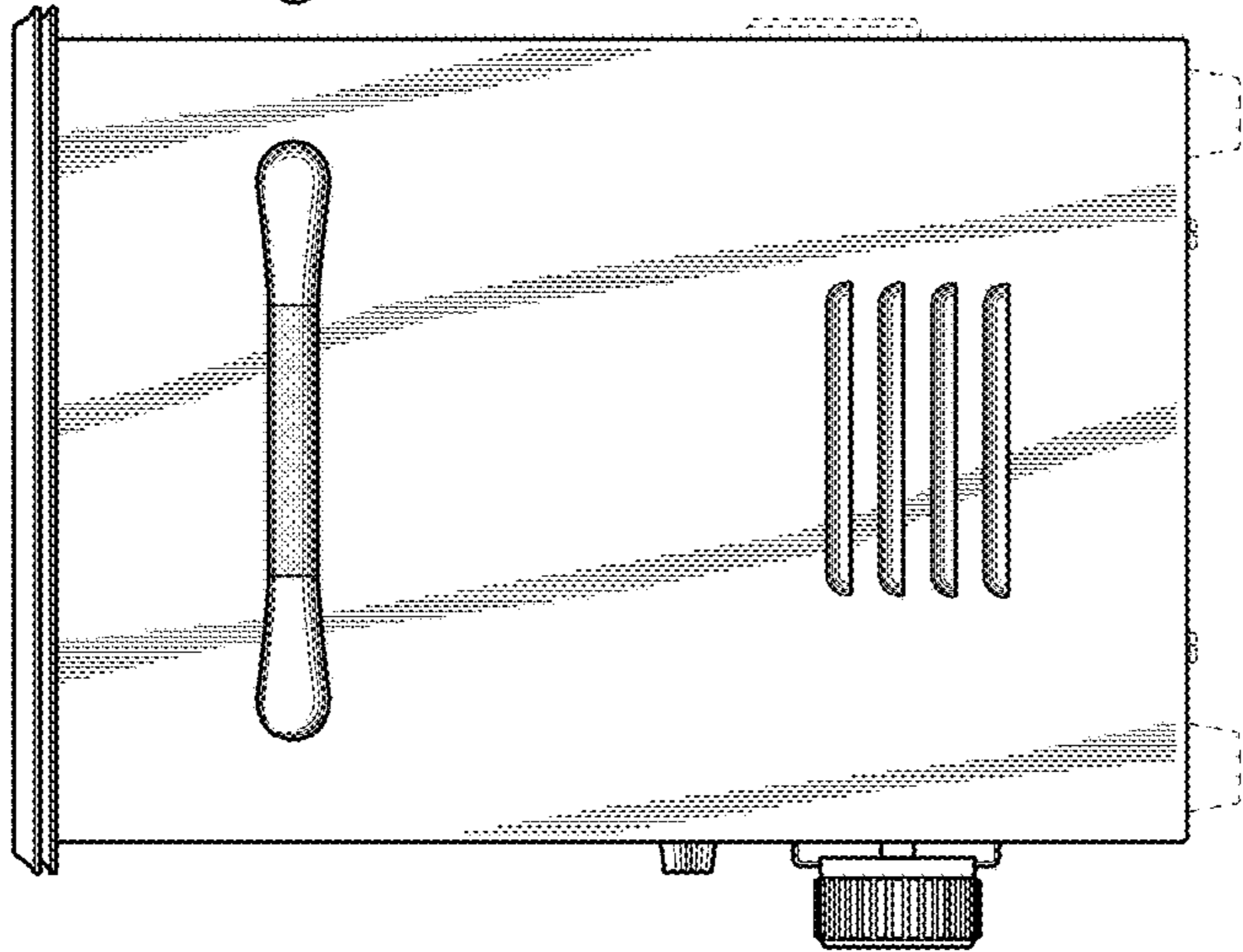


Fig.5

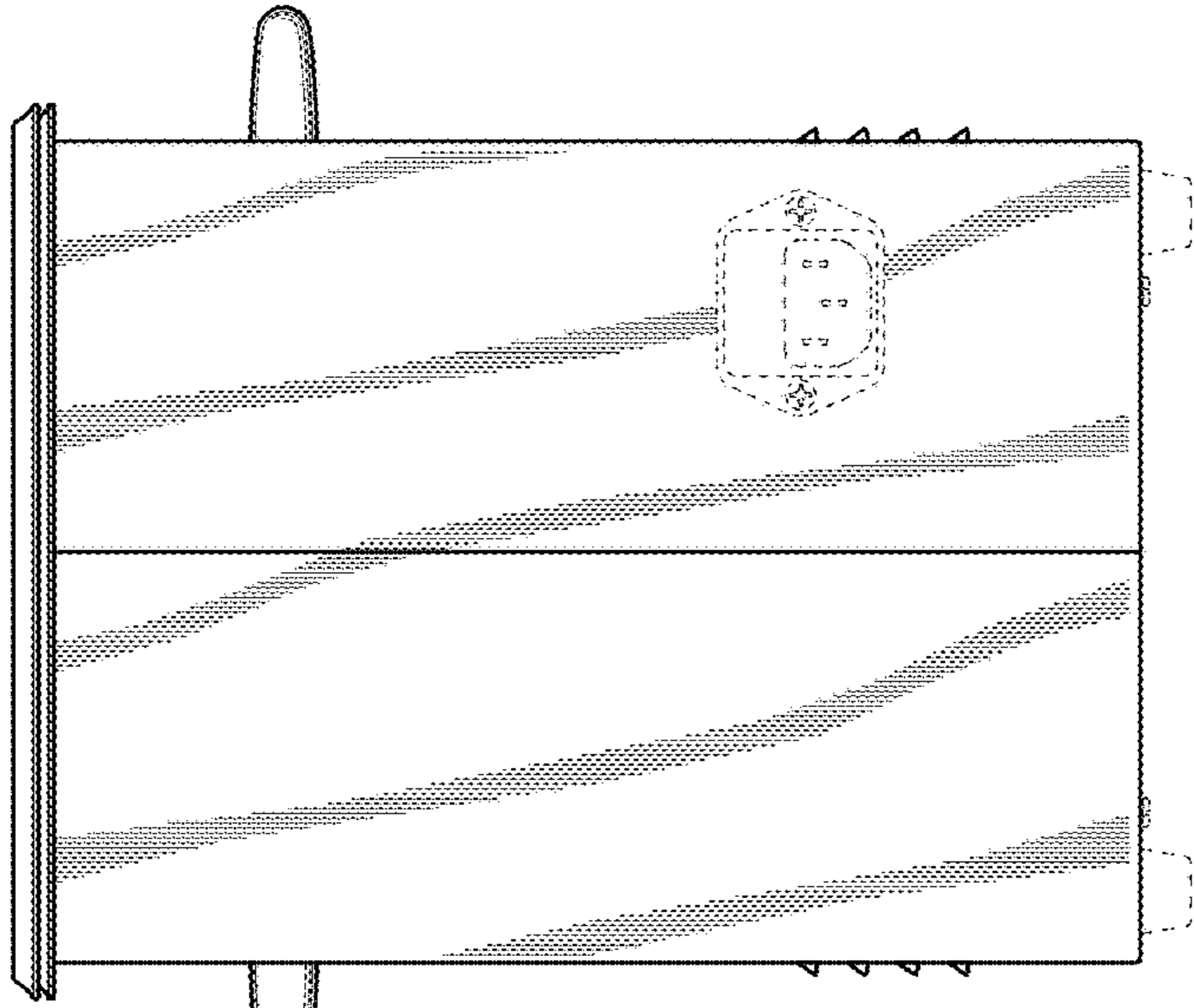


Fig.6