



US00D796747S

(12) **United States Design Patent** (10) **Patent No.:** **US D796,747 S**
Hansen (45) **Date of Patent:** **** Sep. 5, 2017**

(54) **COSMETIC BOX**

D779,736 S * 2/2017 Hansen D28/83

* cited by examiner

(71) Applicant: **Hal J Hansen**, Toms River, NJ (US)

Primary Examiner — Jennifer Rivard

(72) Inventor: **Hal J Hansen**, Toms River, NJ (US)

(74) *Attorney, Agent, or Firm* — Franklin & Associates International Inc; Matthew Lambrinos

(**) Term: **15 Years**

(57) **CLAIM**

(21) Appl. No.: **29/592,261**

The ornamental design for a cosmetic box, as shown and described.

(22) Filed: **Jan. 27, 2017**

DESCRIPTION

Related U.S. Application Data

(63) Continuation of application No. 29/522,573, filed on Mar. 31, 2015, now Pat. No. Des. 779,736.

(51) **LOC (10) Cl.** **28-03**

(52) **U.S. Cl.**

USPC **D28/84**

(58) **Field of Classification Search**

USPC D28/76–84

CPC A45D 33/00–33/003; A45D 33/006; A45D

33/008; A45D 33/02; A45D 33/025;

A45D 33/06–33/10; A45D 33/16; A45D

33/18; A45D 33/20; A45D 33/22; A45D

33/24; A45D 33/26; A45D 33/28; A45D

40/00; A45D 40/22–40/24; A45D 40/0075

See application file for complete search history.

FIG. 1 is a perspective from above of a cosmetic box showing my new design according to one embodiment;

FIG. 2 is a front view of the cosmetic box of FIG. 1;

FIG. 3 is a right side view of the cosmetic box of FIG. 1;

FIG. 4 is a left side view of the cosmetic box of FIG. 1;

FIG. 5 is a rear view of the cosmetic box of FIG. 1;

FIG. 6 is a top view of the cosmetic box of FIG. 1;

FIG. 7 is rear perspective from above the cosmetic box of FIG. 1;

FIG. 8 is a perspective view from above of a cosmetic box showing my new design according to another embodiment;

FIG. 9 is a front view of the cosmetic box of FIG. 8;

FIG. 10 is a right side view of the cosmetic box of FIG. 8;

FIG. 11 is a left side view of the cosmetic box of FIG. 8;

FIG. 12 is a rear view of the cosmetic box of FIG. 8;

FIG. 13 is a top view of the cosmetic box of FIG. 8; and,

FIG. 14 is rear perspective from above the cosmetic box of FIG. 8.

The broken line showing of portions of the cosmetic box of each embodiment is for illustrative purposes only and forms no part of the claimed design.

The bottom view of the cosmetic box forms not part of the claimed design.

In the embodiment shown in FIGS. 8-14, the cosmetic box is shown with a symbolic break in length. The appearance of any portion of the article between the break lines forms no part of the claimed design.

(56) **References Cited**

U.S. PATENT DOCUMENTS

D314,448 S * 2/1991 Bakic D28/78

D428,209 S * 7/2000 Kudo D28/78

D471,323 S * 3/2003 Lai D28/83

D496,761 S * 9/2004 Rodriguez D28/83

D539,481 S * 3/2007 Lui D28/83

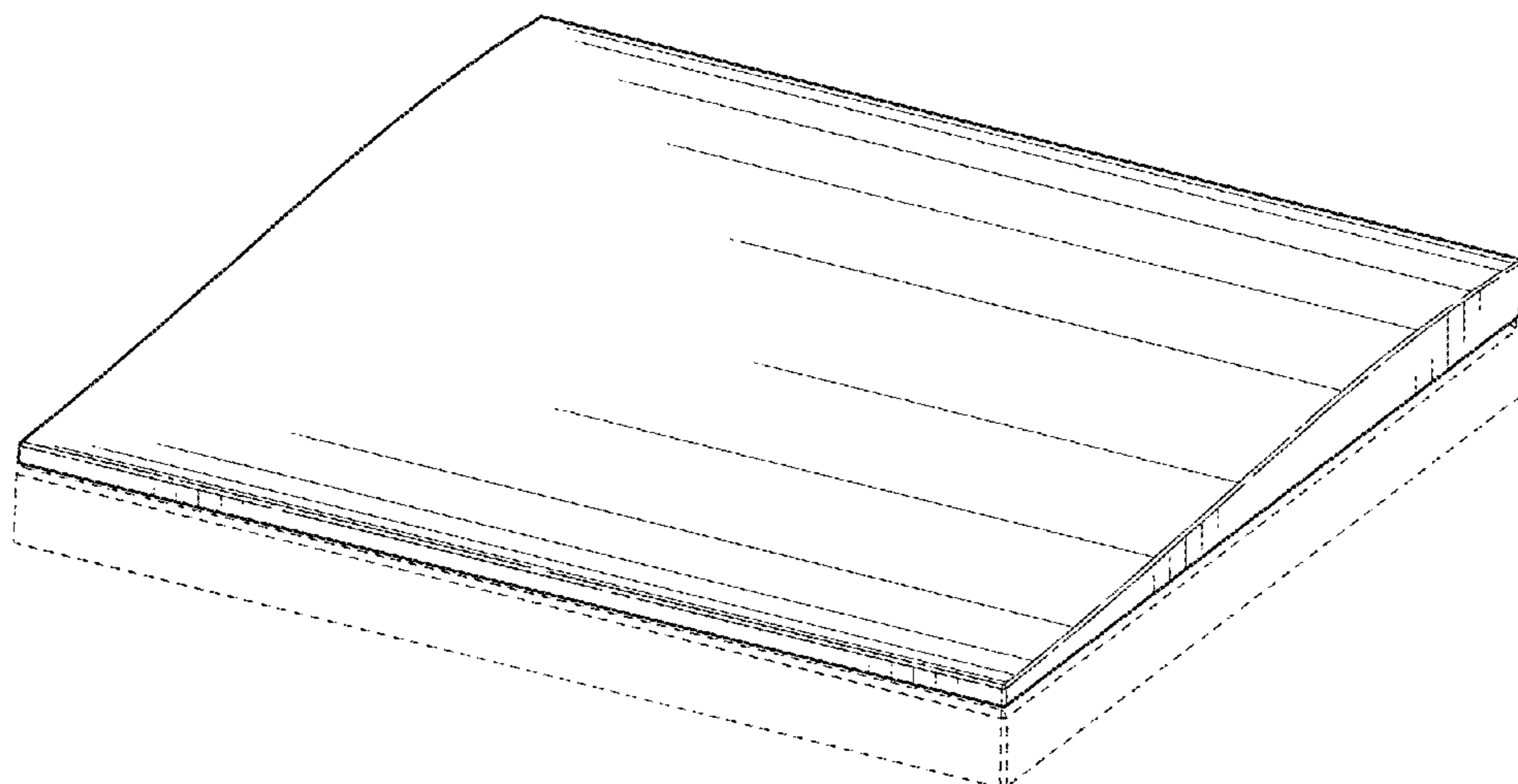
D555,288 S * 11/2007 Hirst D28/83

D629,201 S * 12/2010 Demarco D28/83

D683,903 S * 6/2013 DeMarco D28/81

D723,219 S * 2/2015 Goswell D28/83

1 Claim, 8 Drawing Sheets



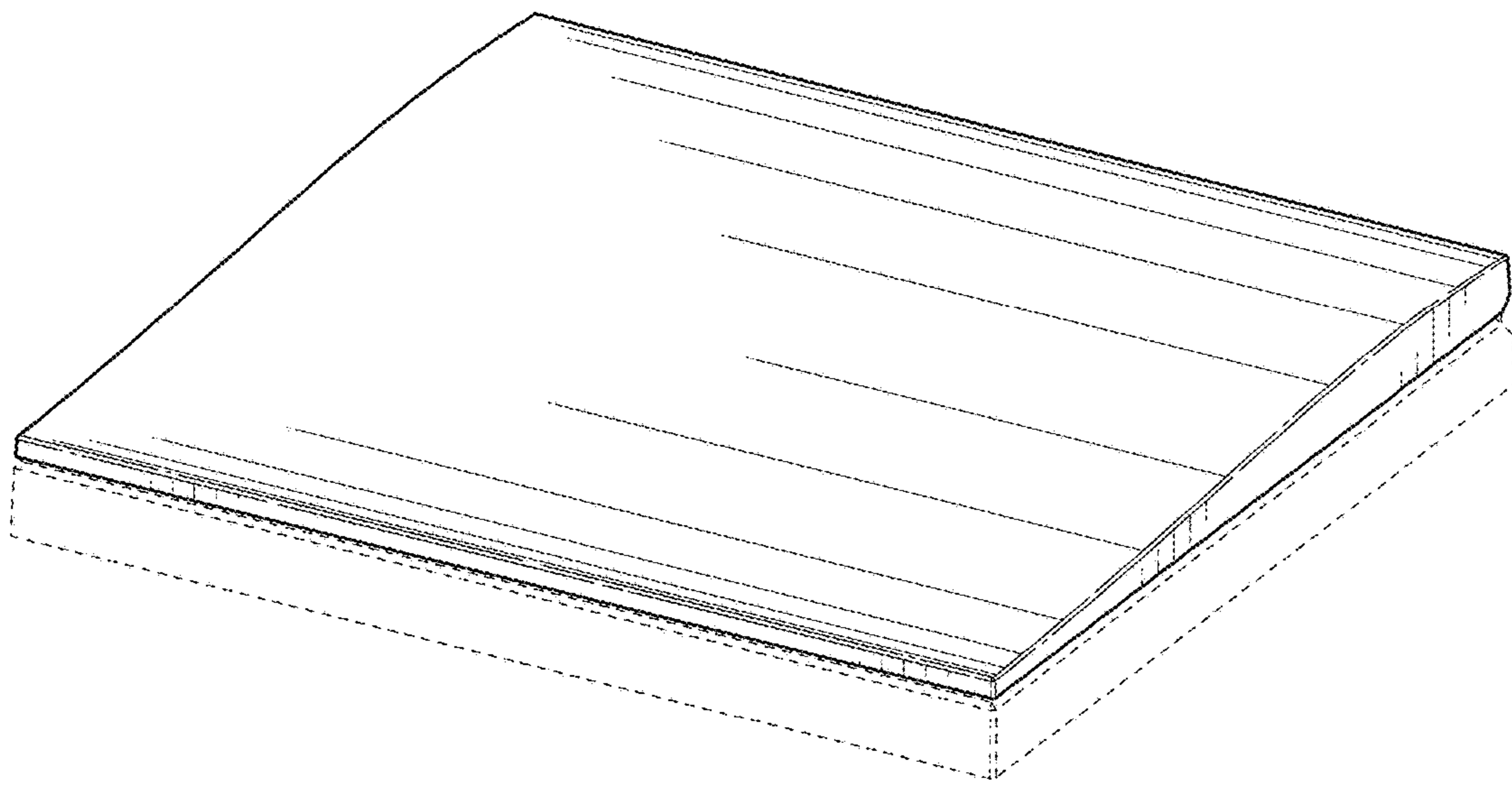


FIG. 1

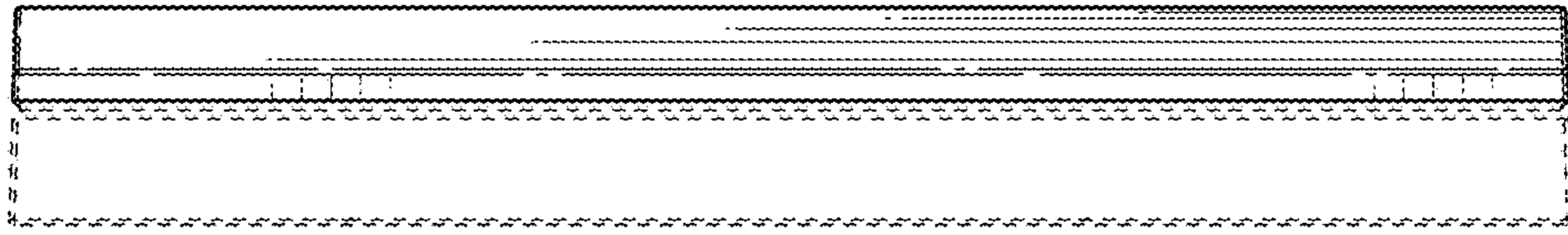


FIG. 2

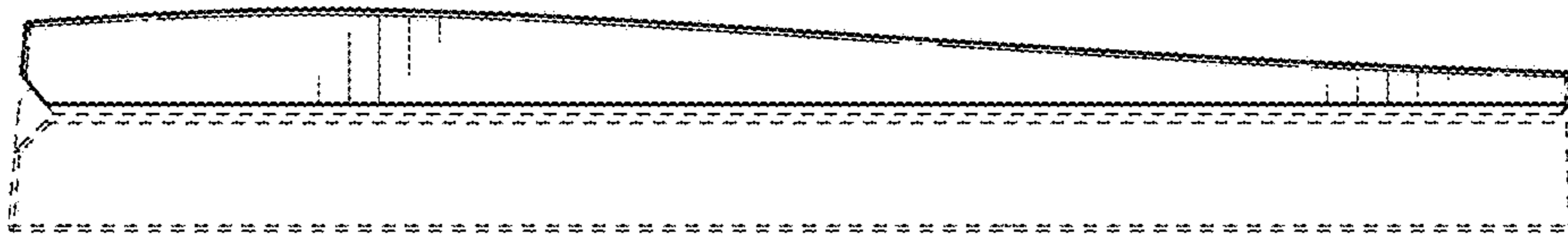


FIG. 3

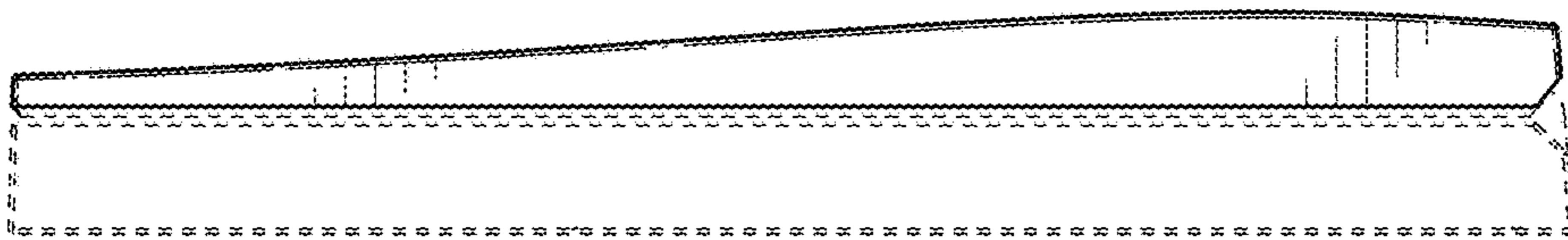


FIG. 4

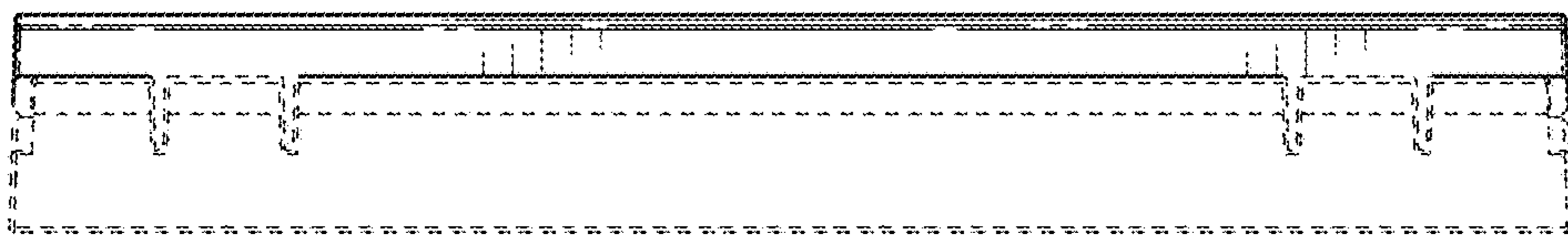


FIG. 5

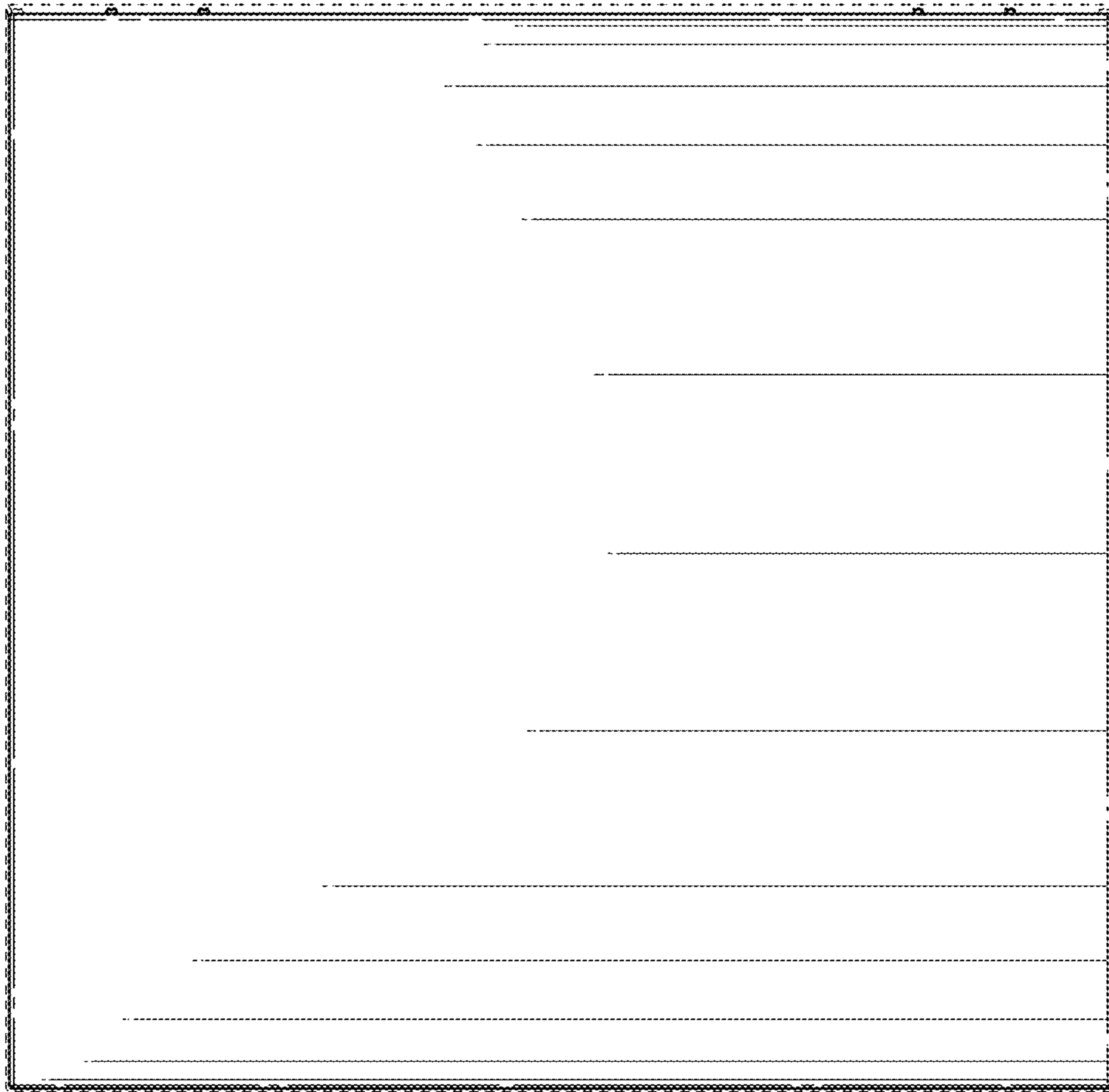


FIG. 6

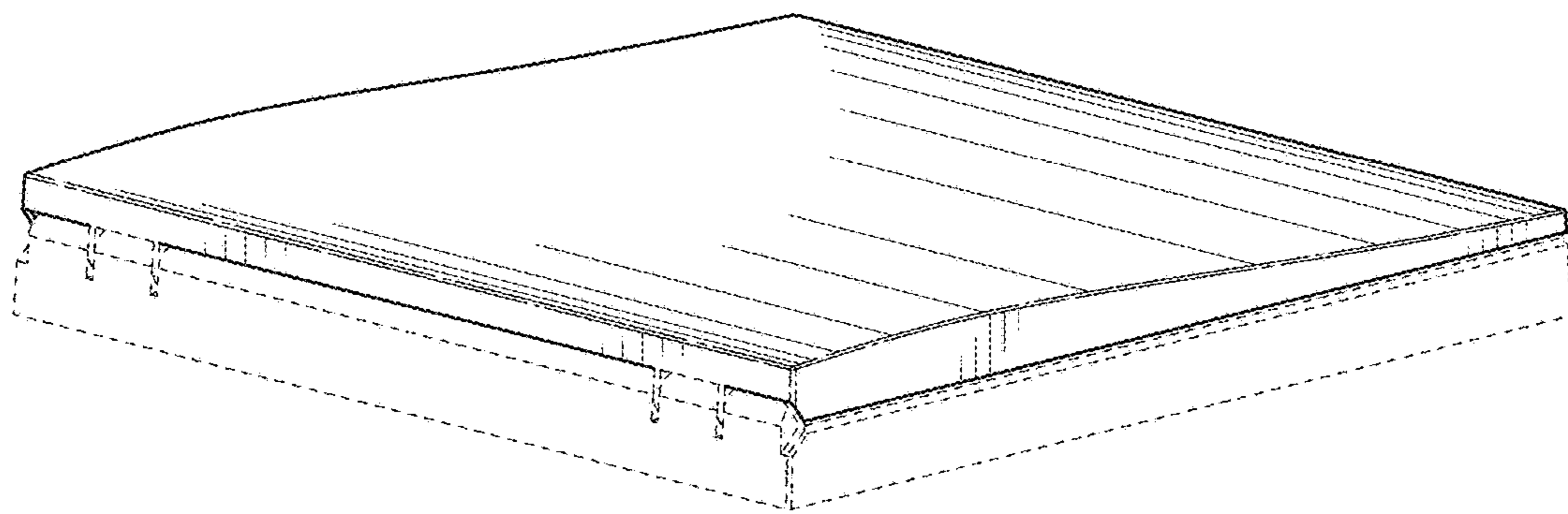


FIG. 7

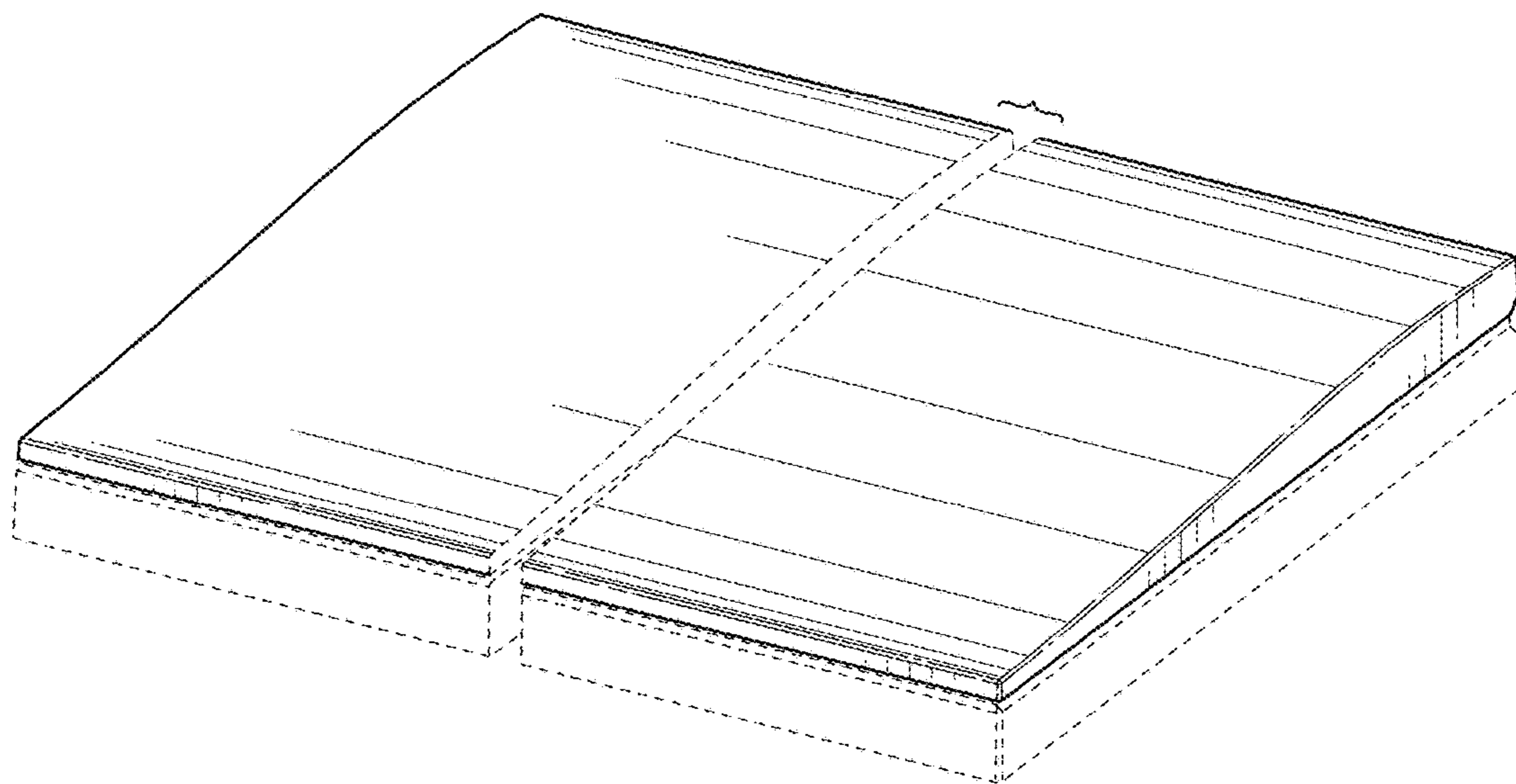


FIG. 8

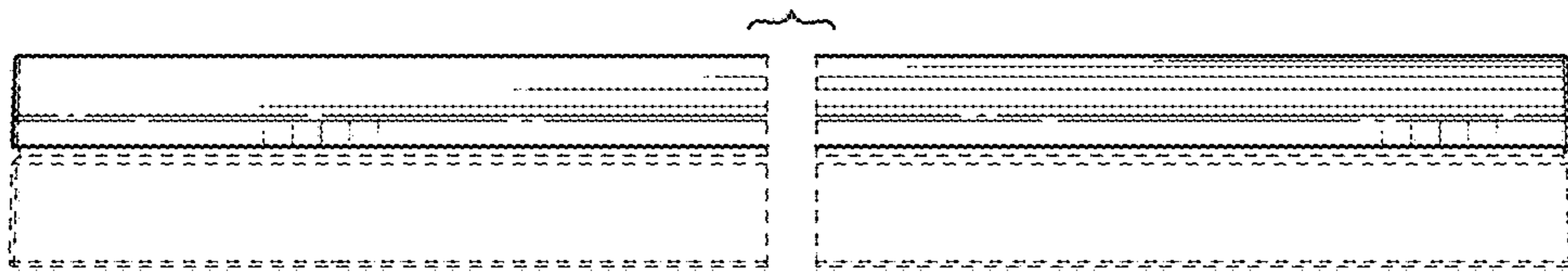


FIG. 9

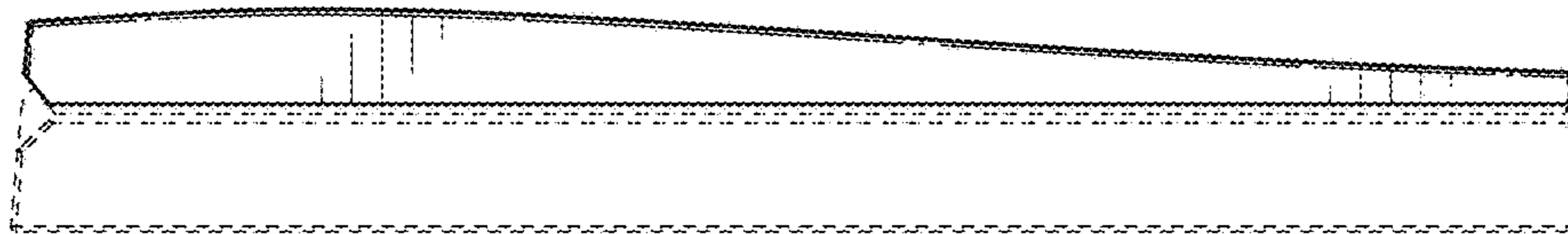


FIG. 10

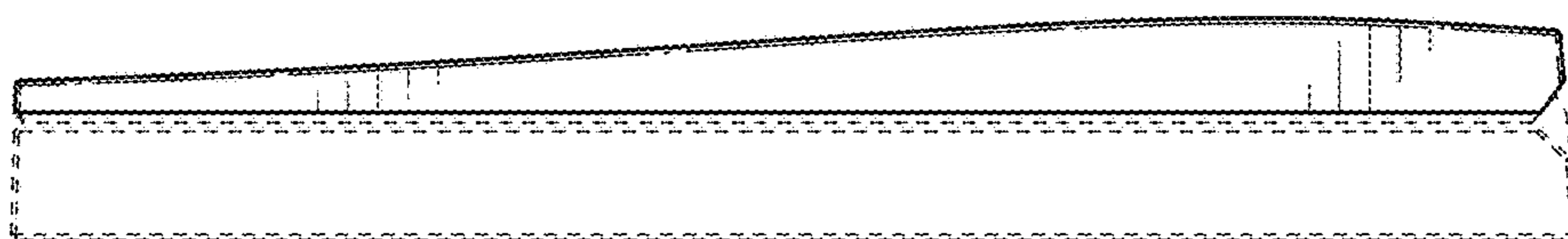


FIG. 11

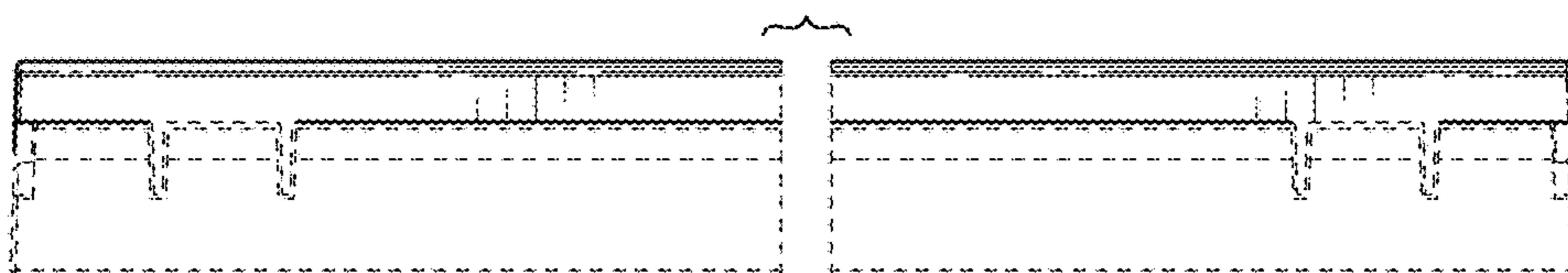


FIG. 12

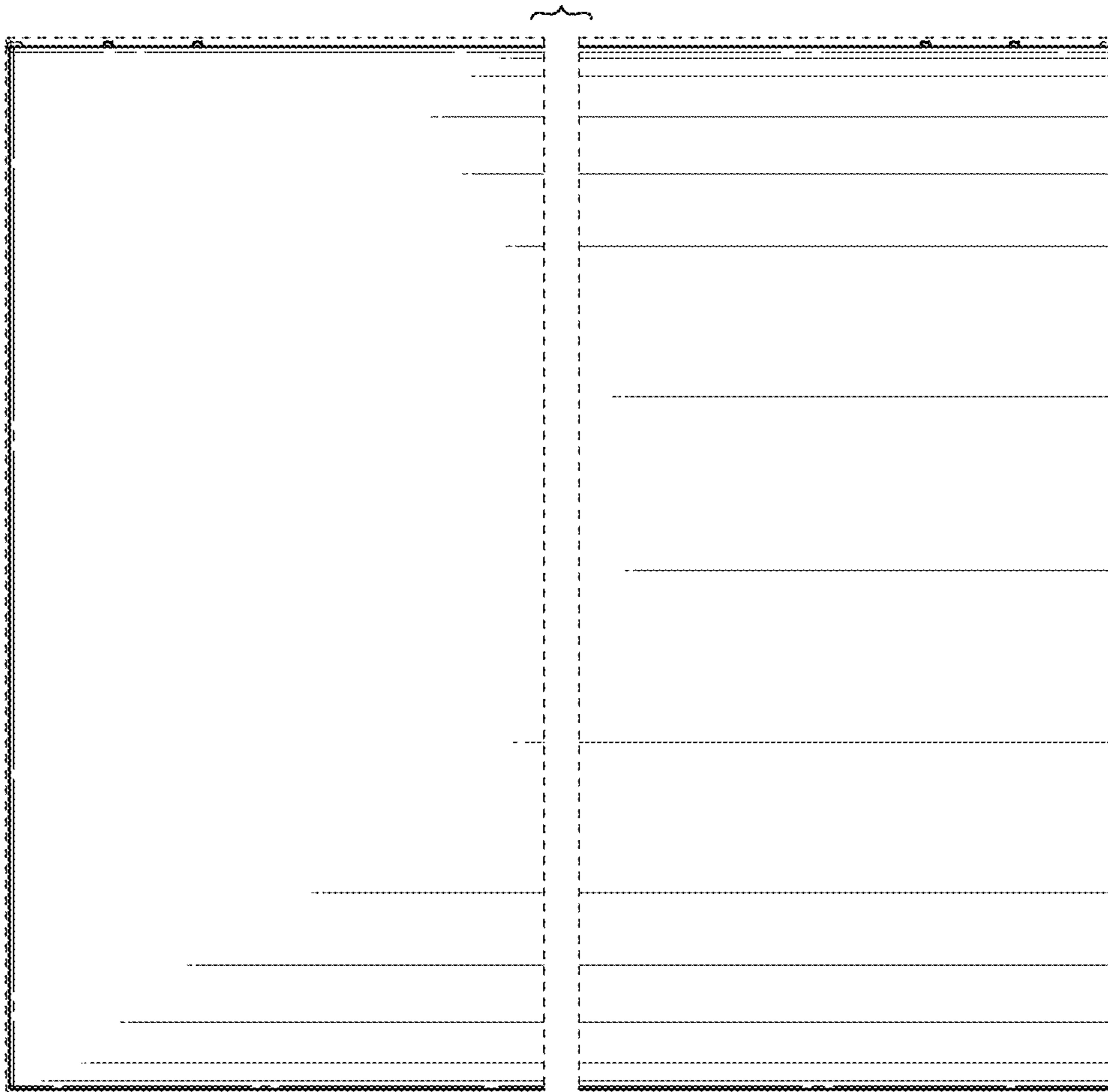


FIG. 13

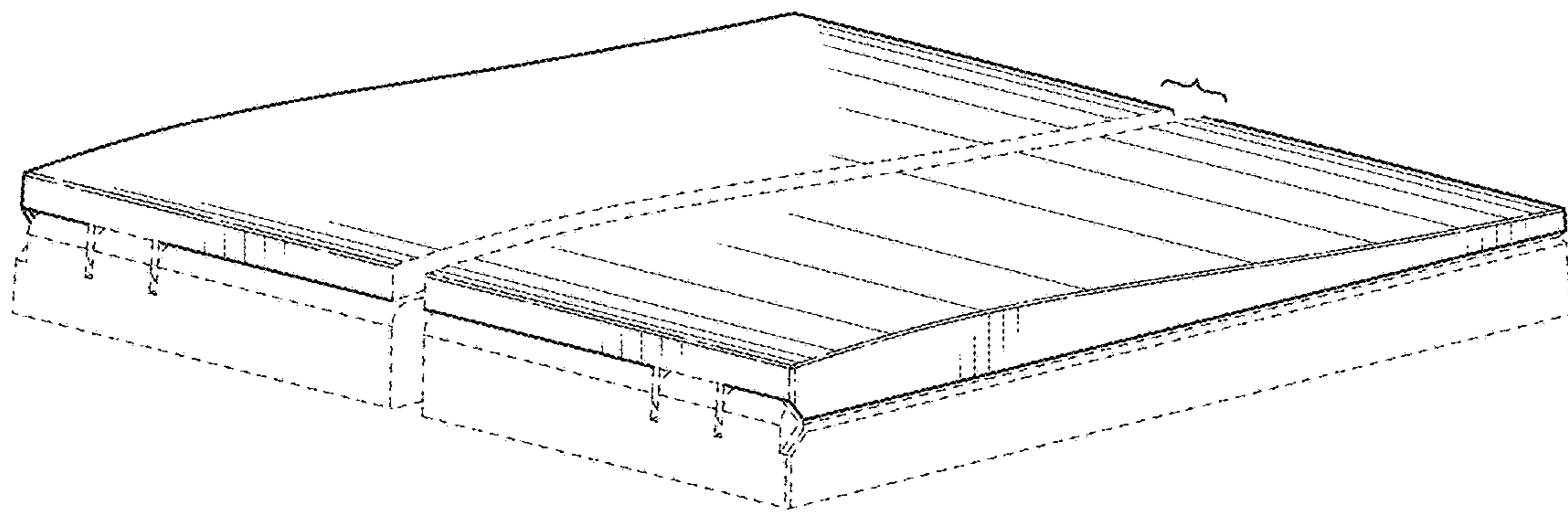


FIG. 14