



US00D796745S

(12) **United States Design Patent**
Burton

(10) **Patent No.:** **US D796,745 S**

(45) **Date of Patent:** **** Sep. 5, 2017**

- (54) **BEARD COMB**
- (71) Applicant: **Jason Burton**, Detroit, MI (US)
- (72) Inventor: **Jason Burton**, Detroit, MI (US)
- (**) Term: **14 Years**
- (21) Appl. No.: **29/507,255**
- (22) Filed: **Oct. 24, 2014**
- (51) **LOC (10) Cl.** **28-03**
- (52) **U.S. Cl.**
USPC **D28/30**
- (58) **Field of Classification Search**
USPC D28/7, 20-34; 132/53, 112, 126, 150,
132/208, 219.216; D32/49; 15/142,
15/143.1; D30/158, 159
CPC A45D 24/00; A45D 24/02; A45D 24/04;
A45D 24/06; A45D 24/08; A45D 24/10;
A45D 24/12; A45D 24/14; A45D 24/16;
A45D 24/18; A45D 24/20; A45D 24/22;
A45D 24/24; A45D 24/26; A45D 24/28;
A45D 24/30; A45D 24/032
See application file for complete search history.

- 6,098,633 A * 8/2000 Pabari A45D 24/30
132/137
- D574,110 S * 7/2008 Griffith D28/21
- D601,751 S * 10/2009 Day D28/21
- D713,992 S * 9/2014 Lolani A45D 24/22
D28/30

* cited by examiner

Primary Examiner — Zenia Bennett
(74) *Attorney, Agent, or Firm* — The Dobrusin Law Firm, PC

(57) **CLAIM**

The ornamental design for a beard comb, as shown and described.

DESCRIPTION

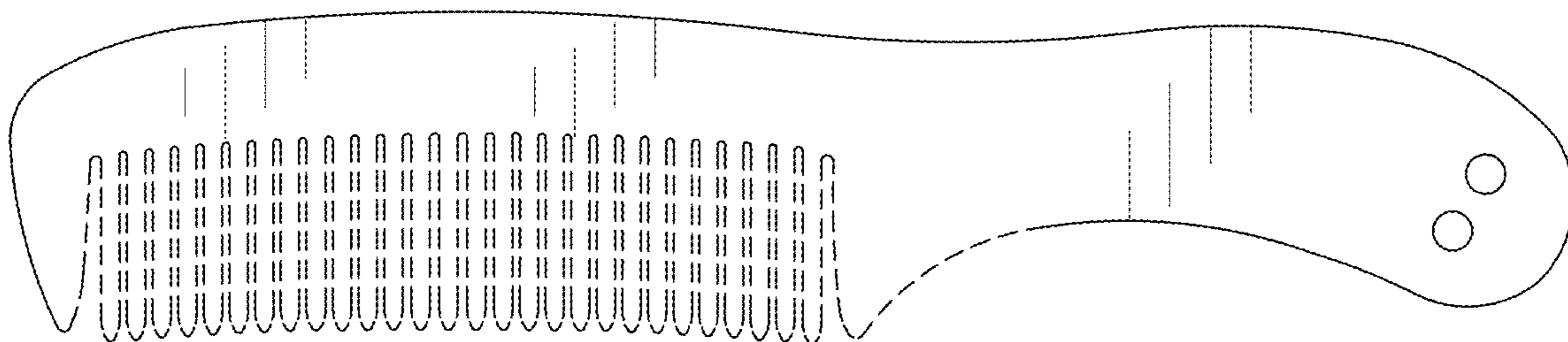
FIG. 1 is a top perspective view of the present invention.
FIG. 2 is a top plan view thereof.
FIG. 3 is a bottom plan view thereof.
FIG. 4 is a left side elevational view thereof.
FIG. 5 is a right side elevational view thereof.
FIG. 6 is a rear elevational view thereof.
FIG. 7 is a front elevational view thereof.
FIG. 8 is a top perspective view thereof; and,
FIG. 9 is a bottom perspective view thereof.
The broken lines showing environment in the drawings are for illustrative purposes only and form no part of the claimed design.

(56) **References Cited**

U.S. PATENT DOCUMENTS

- D334,996 S * 4/1993 Ward D28/30
- D428,669 S * 7/2000 Lucero D28/25

1 Claim, 3 Drawing Sheets



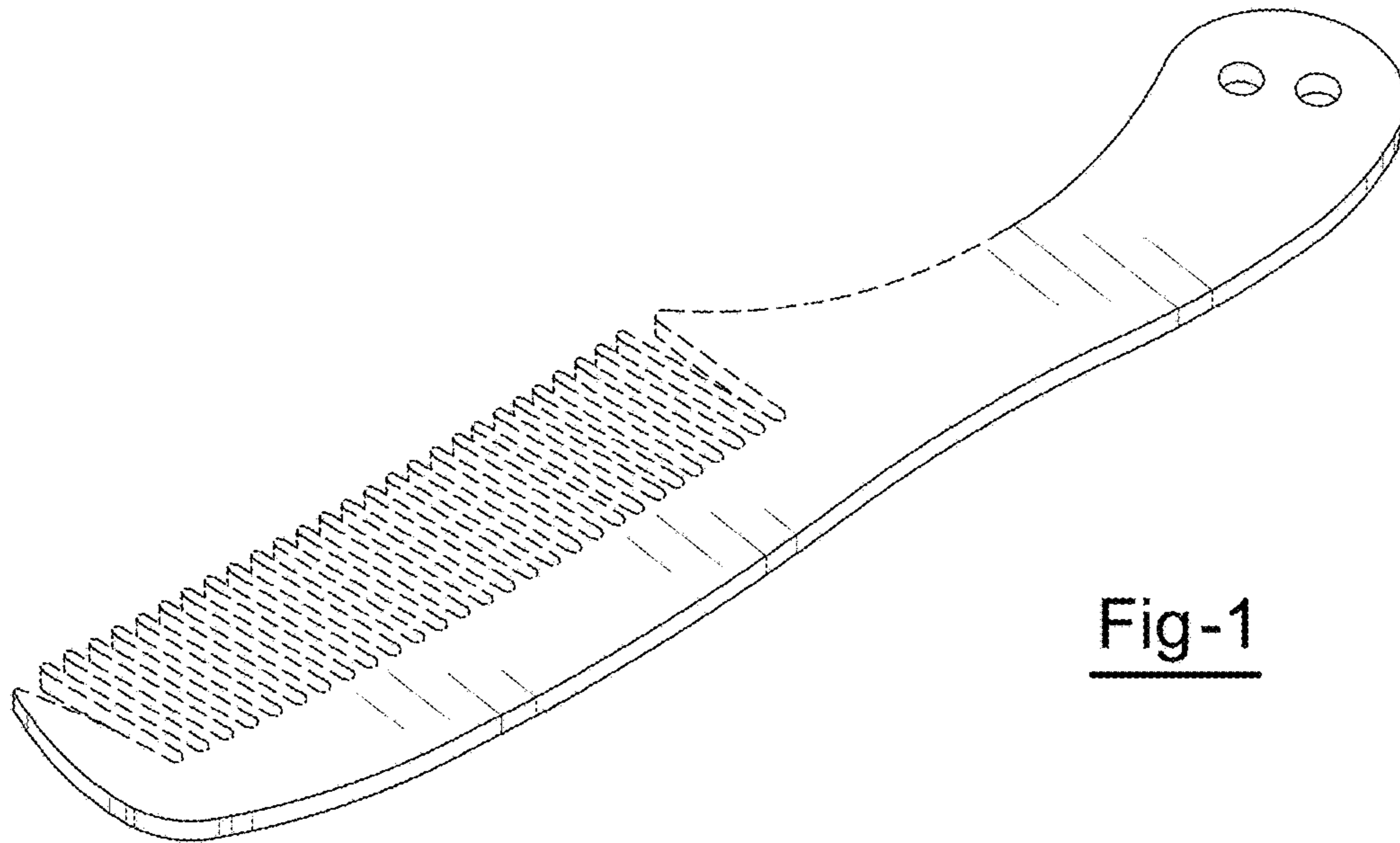


Fig-1

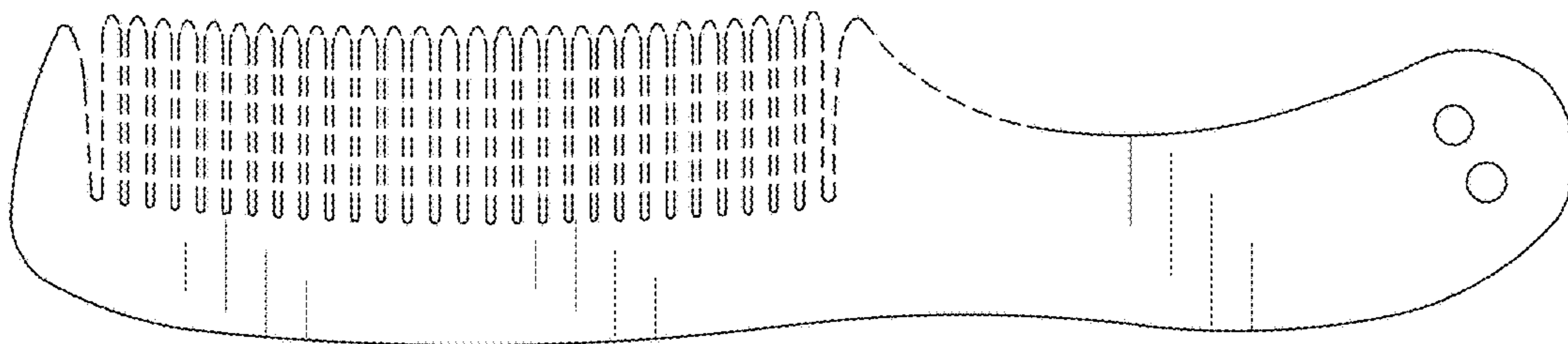


Fig-2

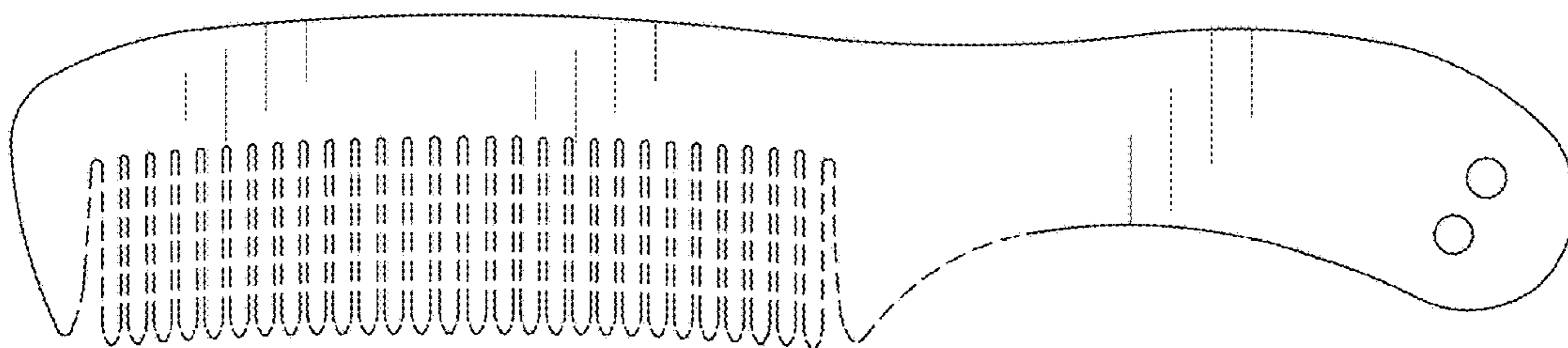


Fig-3

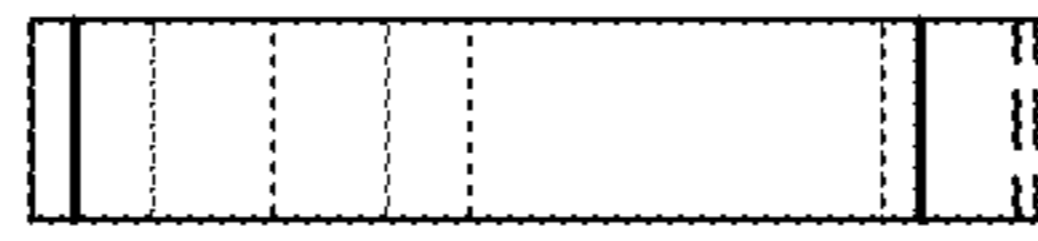


Fig-6

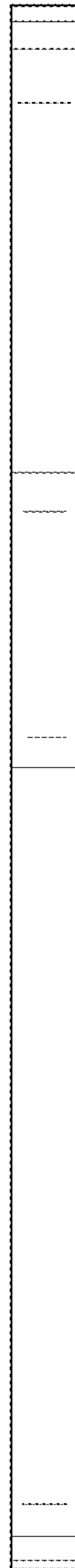


Fig-4

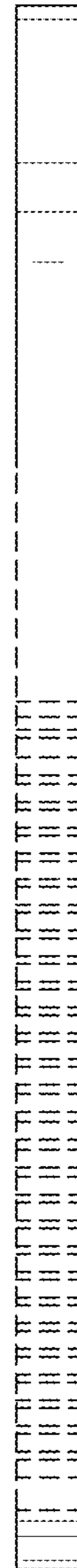
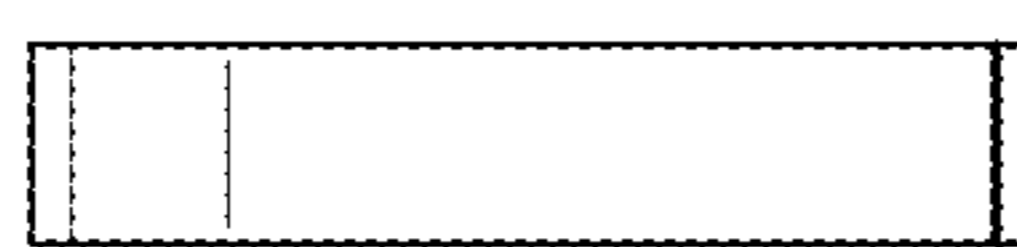


Fig-5

Fig-7



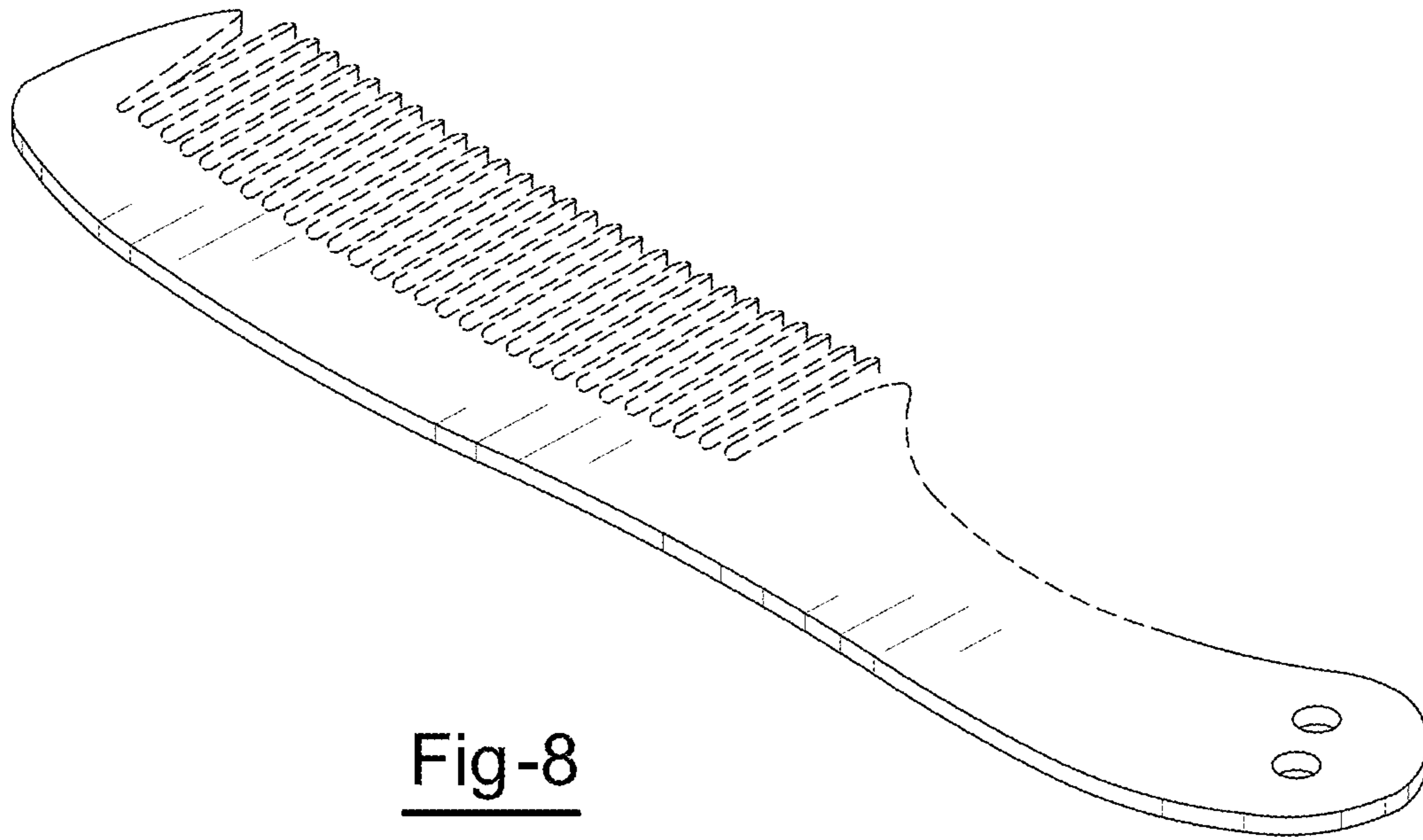


Fig-8

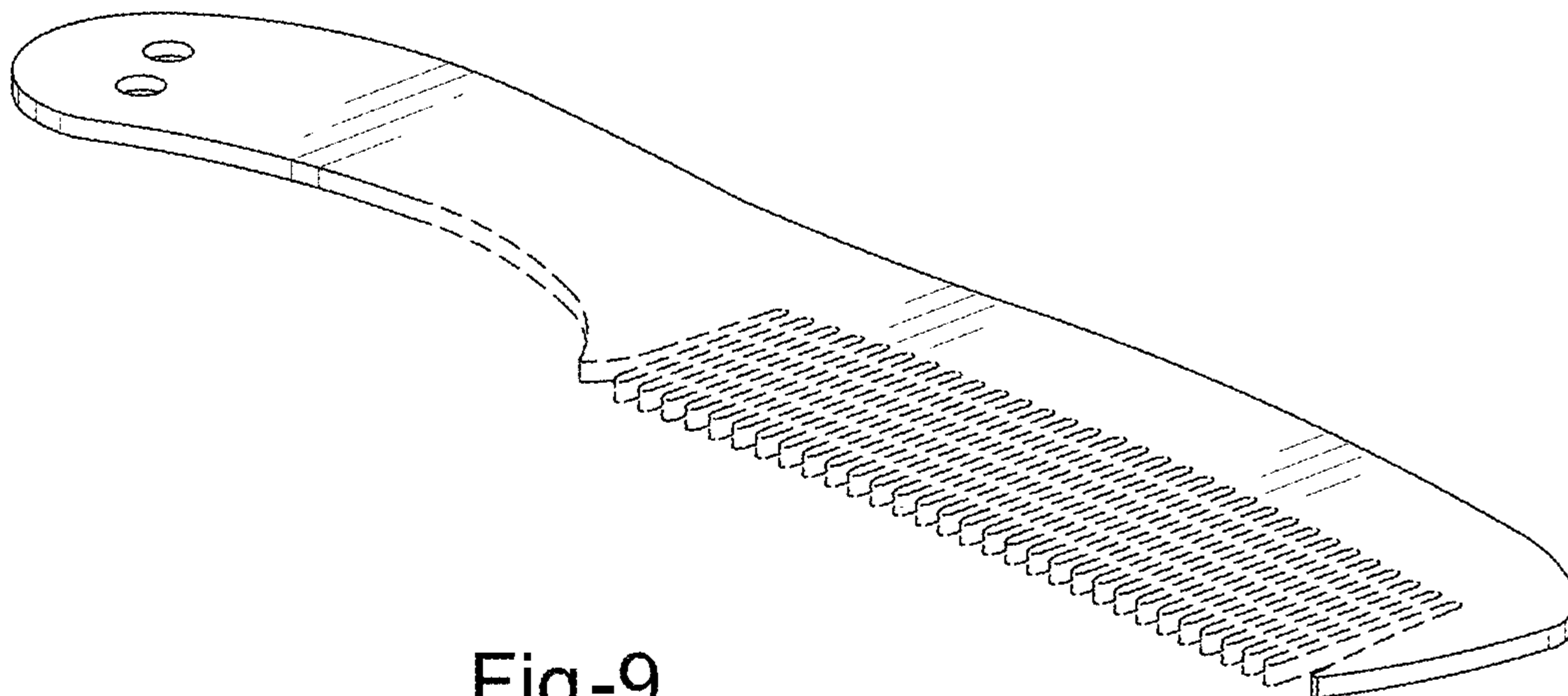


Fig-9