

US00D796741S

(12) **United States Design Patent**
Burton

(10) **Patent No.:** **US D796,741 S**

(45) **Date of Patent:** **** Sep. 5, 2017**

- (54) **BEARD COMB**
- (71) Applicant: **Jason Burton**, Detroit, MI (US)
- (72) Inventor: **Jason Burton**, Detroit, MI (US)
- (**) Term: **14 Years**
- (21) Appl. No.: **29/517,828**
- (22) Filed: **Feb. 17, 2015**
- (51) **LOC (10) Cl.** **28-03**
- (52) **U.S. Cl.**
USPC **D28/21**
- (58) **Field of Classification Search**
USPC D28/7, 20-34; 132/53, 112, 126, 150,
132/208, 219.216; D32/49; 15/142,
15/143.1; D30/158, 159
CPC A45D 24/00; A45D 24/04; A45D 24/10;
A45D 8/12
See application file for complete search history.

- 2,474,212 A * 6/1949 Benco A45D 24/04
132/137
- D157,695 S * 3/1950 Morroni D28/21
- D159,697 S * 8/1950 Utley D28/21
- 2,571,701 A * 10/1951 Forrester A45D 24/10
132/122
- D251,073 S * 2/1979 Whiteman D28/25
- D367,728 S * 3/1996 Bozak D28/21
- D434,539 S * 11/2000 Brodbeck D28/25

* cited by examiner

Primary Examiner — Zenia Bennett

(74) *Attorney, Agent, or Firm* — The Dobrusin Law Firm, PC

(57) **CLAIM**

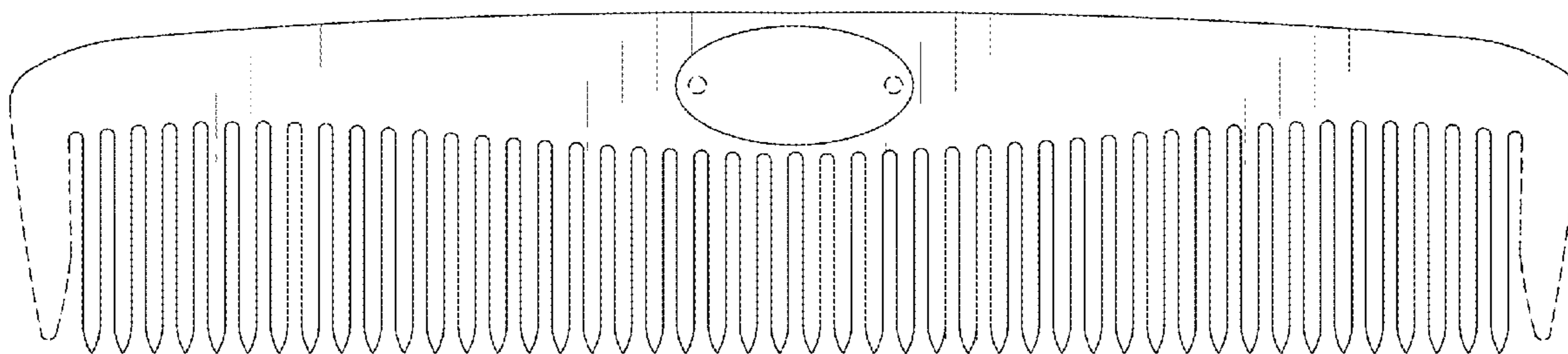
The ornamental design for a beard comb, as shown and described.

DESCRIPTION

- FIG. 1 is a top perspective view of the present invention.
- FIG. 2 is a top plan view thereof.
- FIG. 3 is a bottom plan view thereof.
- FIG. 4 is a left side elevational view thereof.
- FIG. 5 is a right side elevational view thereof.
- FIG. 6 is a rear elevational view thereof.
- FIG. 7 is a front elevational view thereof; and,
- FIG. 8 is a bottom perspective view thereof.

1 Claim, 4 Drawing Sheets

- (56) **References Cited**
U.S. PATENT DOCUMENTS
565,389 A * 8/1896 Noyes A45D 8/12
132/126
- 1,088,588 A * 2/1914 Karr A45D 24/02
132/125
- D108,347 S * 2/1938 Schelhammer D28/21
- D108,348 S * 2/1938 Schelhammer 132/219
- D143,949 S * 2/1946 Brunetti D28/21



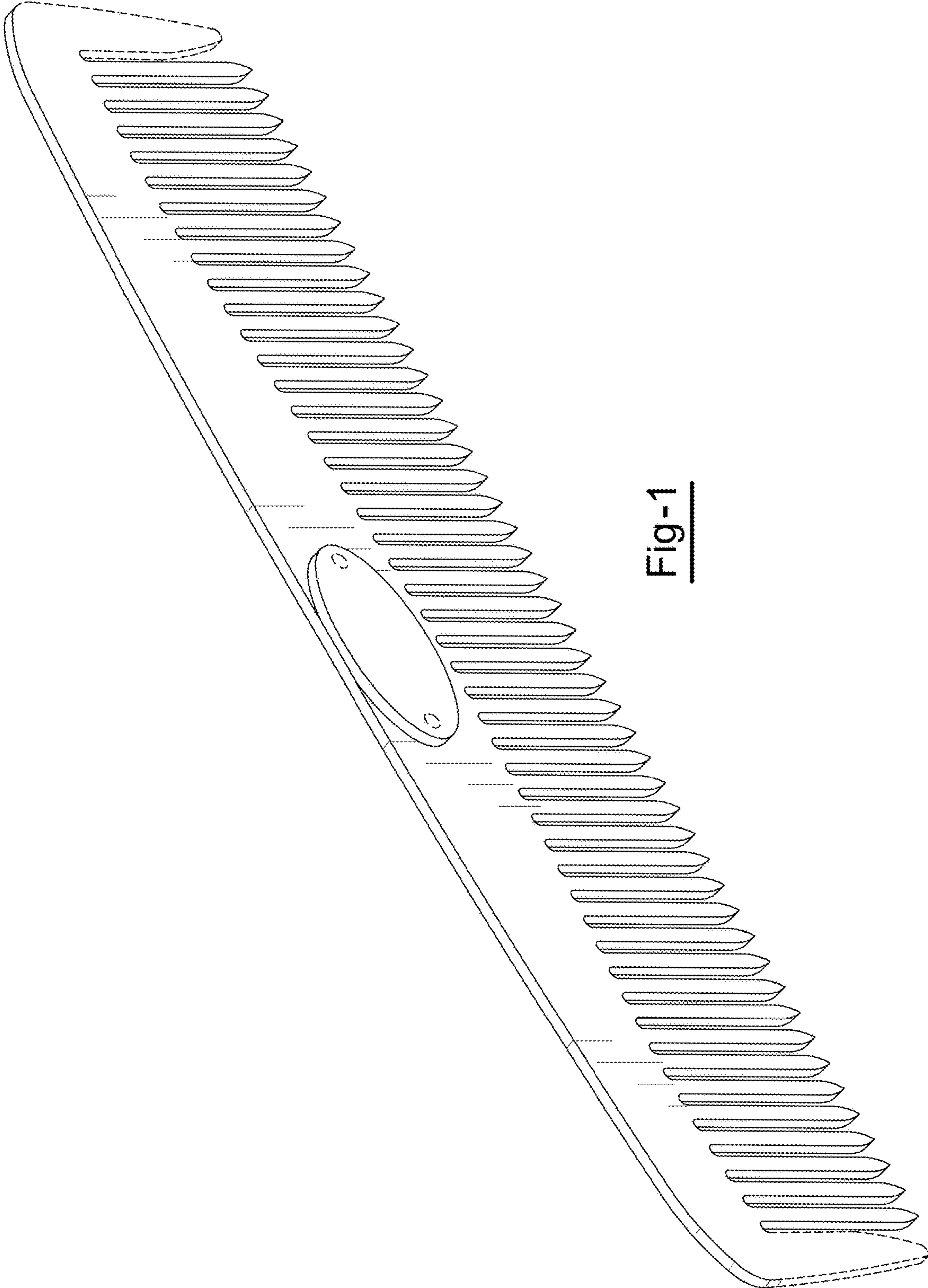


Fig-1

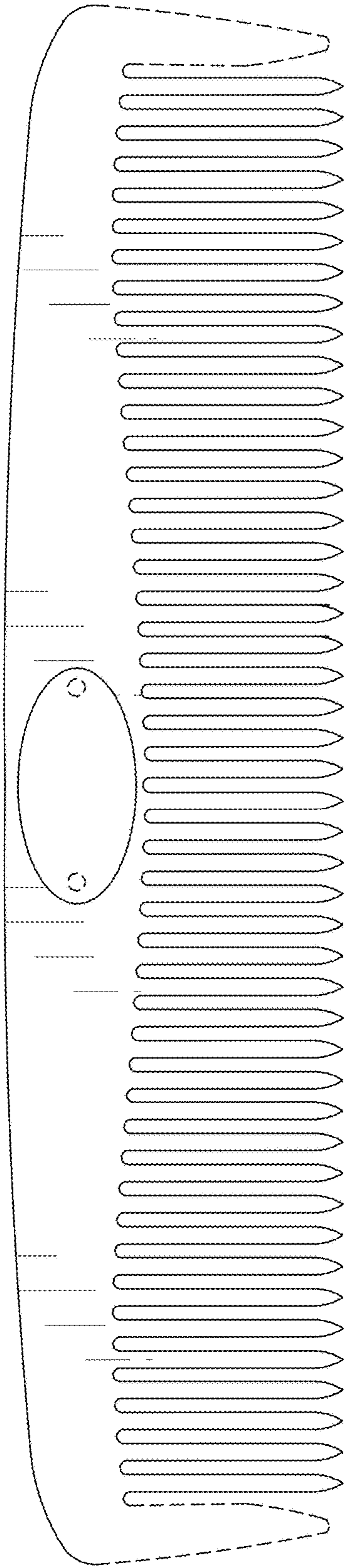


Fig-2

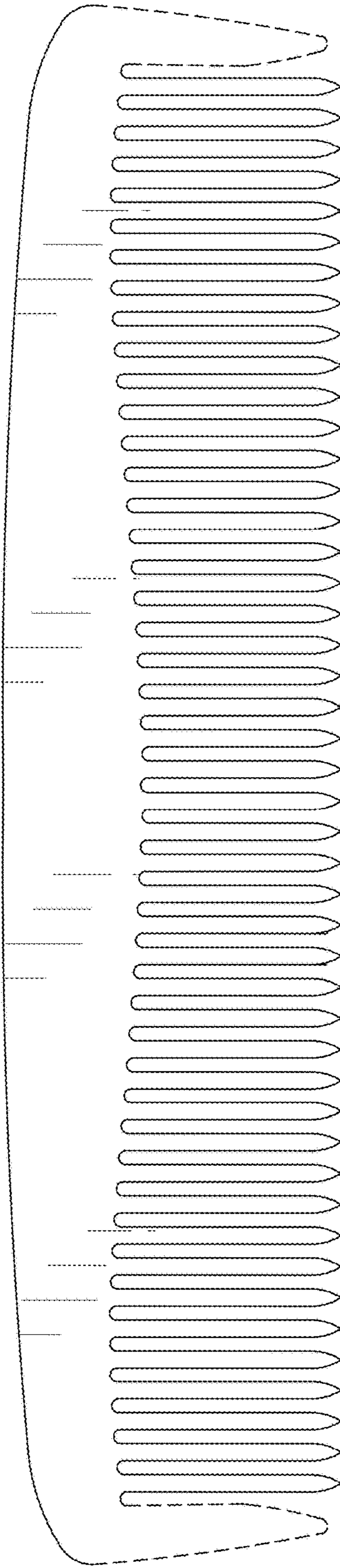


Fig-3



Fig-4

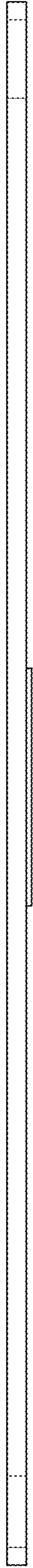


Fig-5

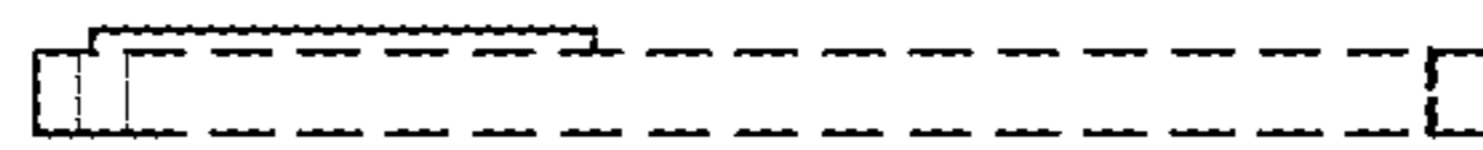


Fig-6

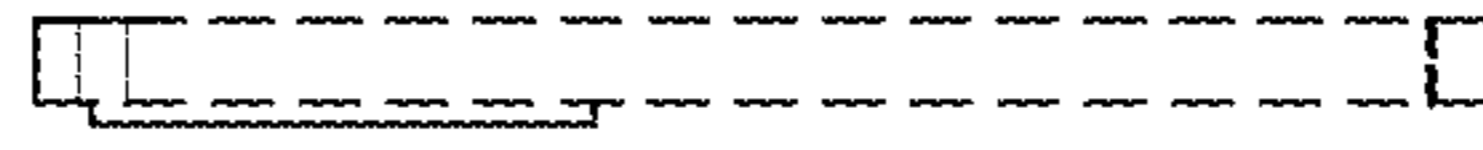


Fig-7

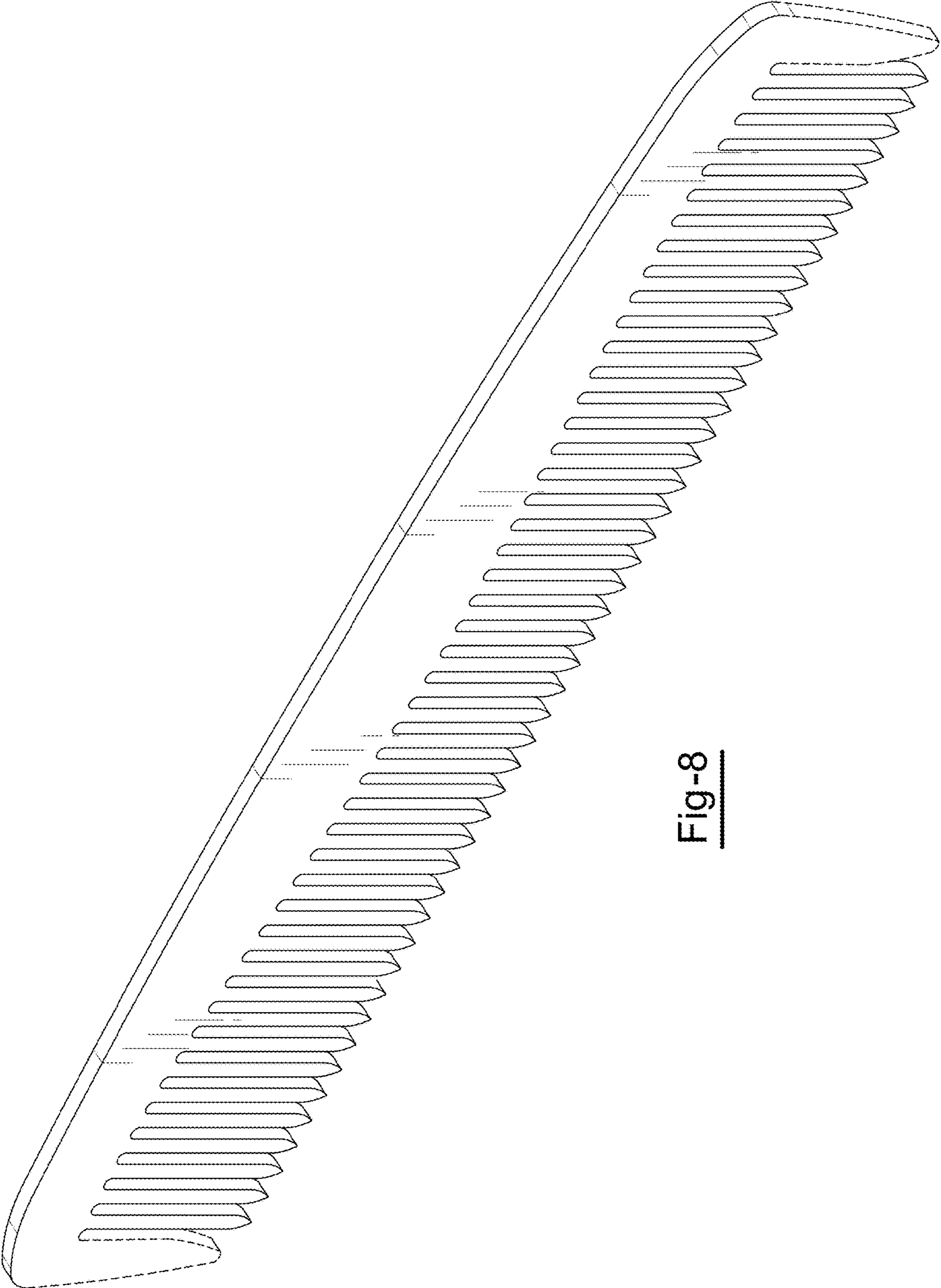


Fig-8