



US00D796739S

(12) **United States Design Patent** (10) **Patent No.:** **US D796,739 S**  
**Burton** (45) **Date of Patent:** **\*\* Sep. 5, 2017**

(54) **BEARD COMB**  
(71) Applicant: **Jason Burton**, Detroit, MI (US)  
(72) Inventor: **Jason Burton**, Detroit, MI (US)  
(\*\*) Term: **14 Years**  
(21) Appl. No.: **29/517,823**  
(22) Filed: **Feb. 17, 2015**  
(51) **LOC (10) Cl.** ..... **28-03**  
(52) **U.S. Cl.**  
USPC ..... **D28/21**  
(58) **Field of Classification Search**  
USPC ..... D28/7, 20-34; 132/53, 112, 126, 150,  
132/208, 219.216; D32/49; 15/142,  
15/143.1; D30/158, 159  
CPC ..... A45D 24/00; A45D 24/04; A45D 24/10;  
A45D 8/12  
See application file for complete search history.

(56) **References Cited**  
U.S. PATENT DOCUMENTS  
D162,430 S \* 3/1951 Moore ..... D28/21  
D212,660 S \* 11/1968 Kress ..... D28/21

D234,163 S \* 1/1975 Metall ..... D28/21  
D478,395 S \* 8/2003 Cheung ..... D28/21  
D496,128 S \* 9/2004 Antonopoulos ..... D28/21  
2014/0251358 A1\* 9/2014 Temple ..... A45D 24/14  
132/149

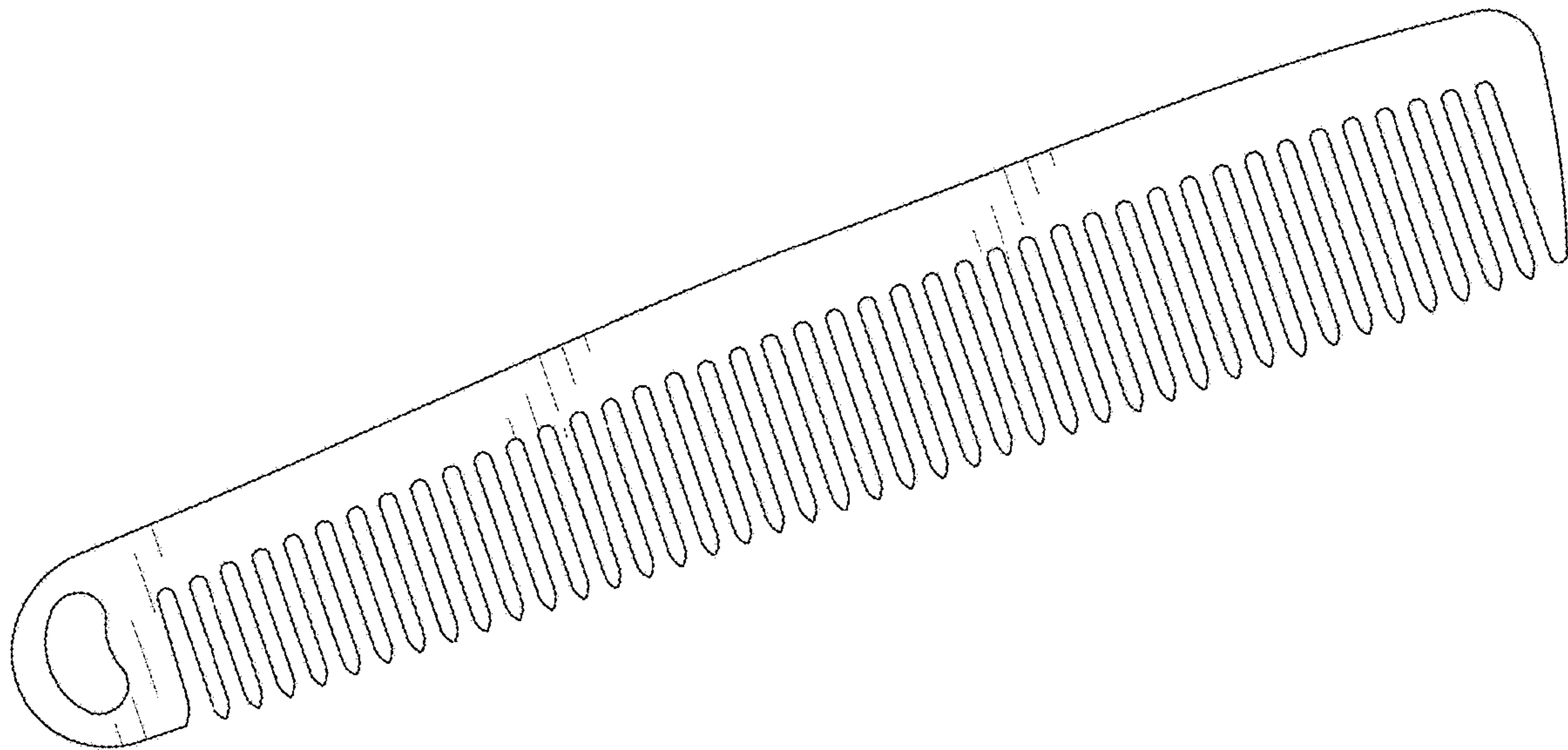
\* cited by examiner

*Primary Examiner* — Zenia Bennett  
(74) *Attorney, Agent, or Firm* — The Dobrusin Law Firm, PC

(57) **CLAIM**  
The ornamental design for a beard comb, as shown and described.

**DESCRIPTION**  
FIG. 1 is a top perspective view of the present invention.  
FIG. 2 is a top plan view thereof.  
FIG. 3 is a bottom plan view thereof.  
FIG. 4 is a left side elevational view thereof.  
FIG. 5 is a right side elevational view thereof.  
FIG. 6 is a rear elevational view thereof.  
FIG. 7 is a front elevational view thereof; and,  
FIG. 8 is a bottom perspective view thereof.

**1 Claim, 2 Drawing Sheets**



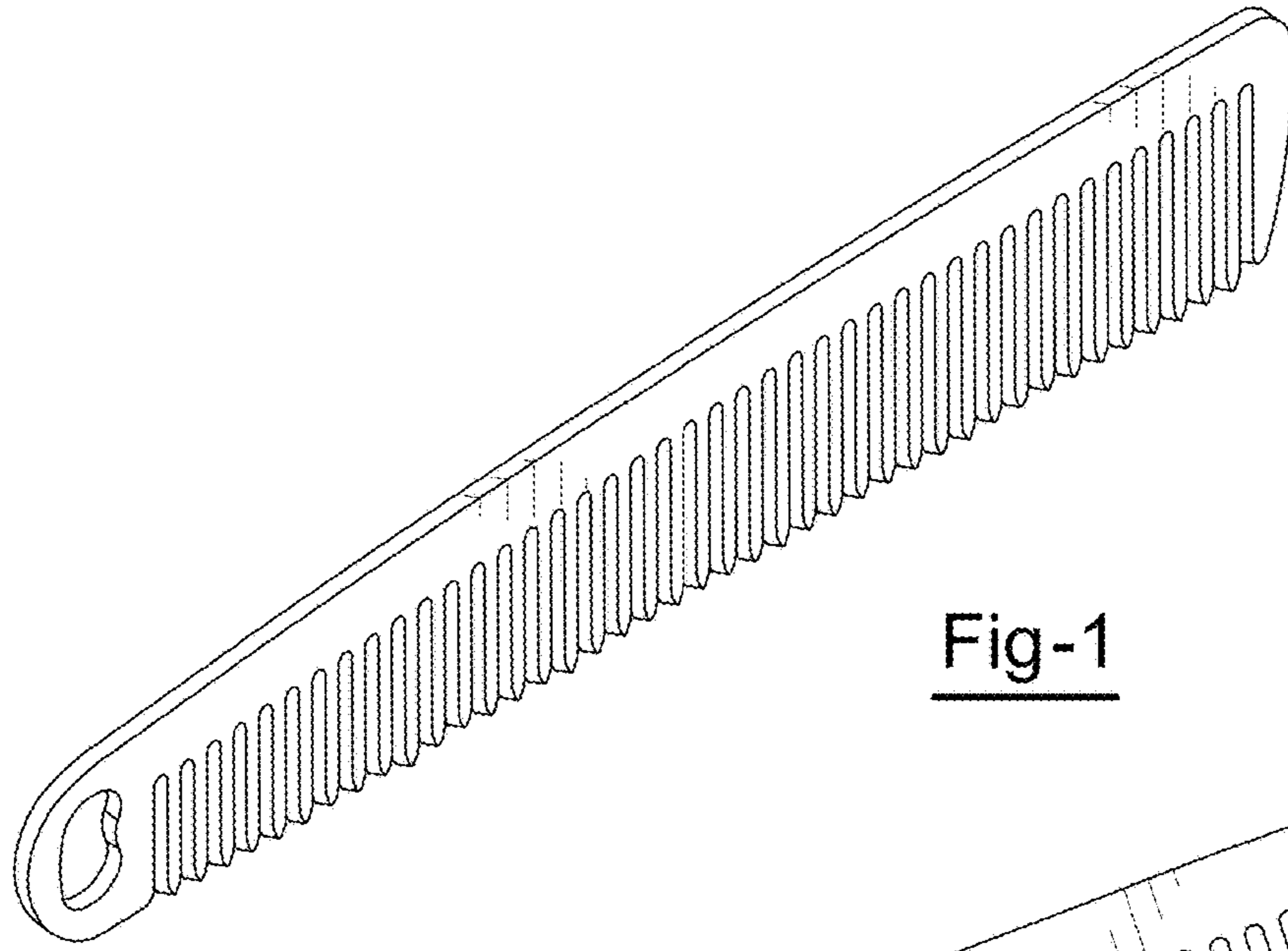


Fig-1

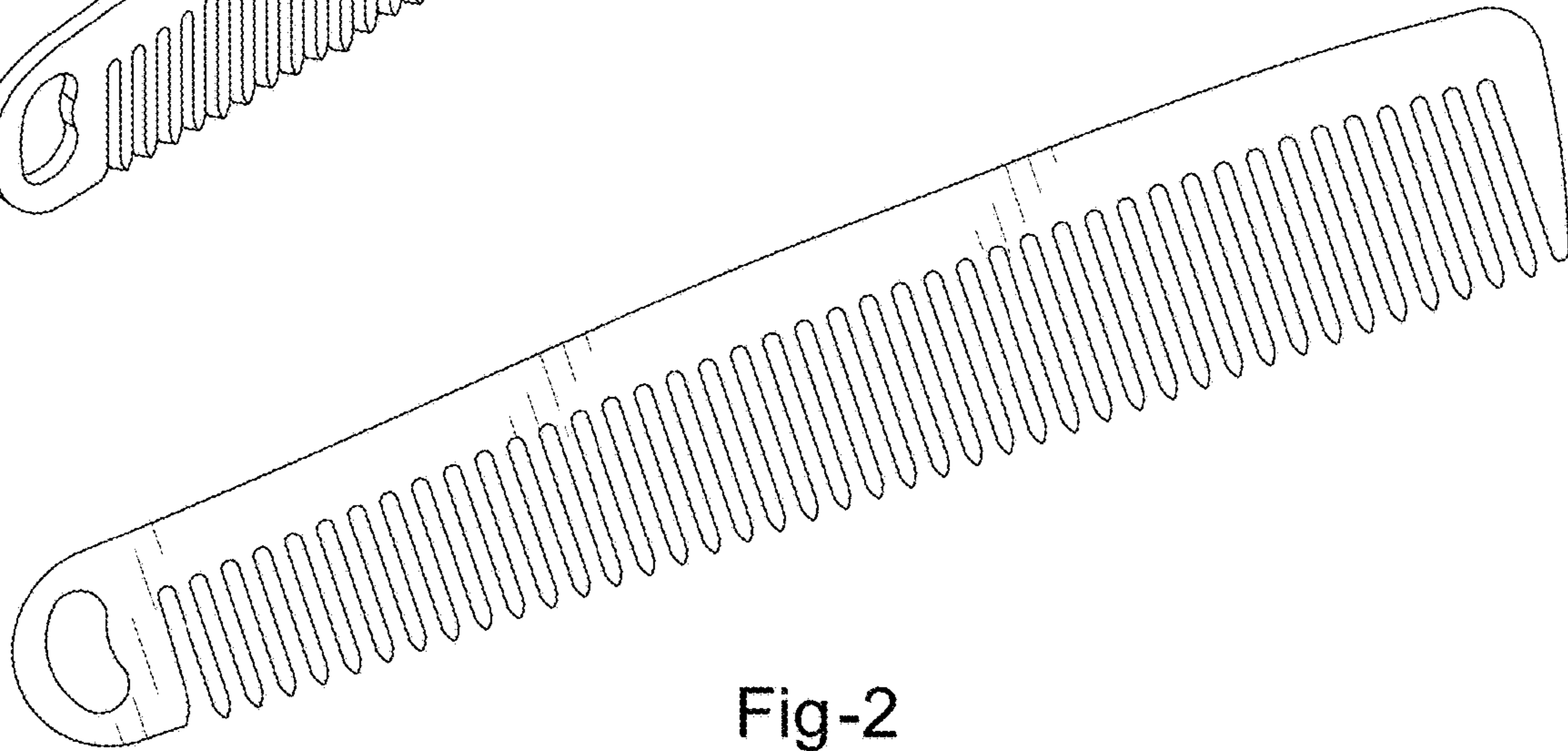


Fig-2

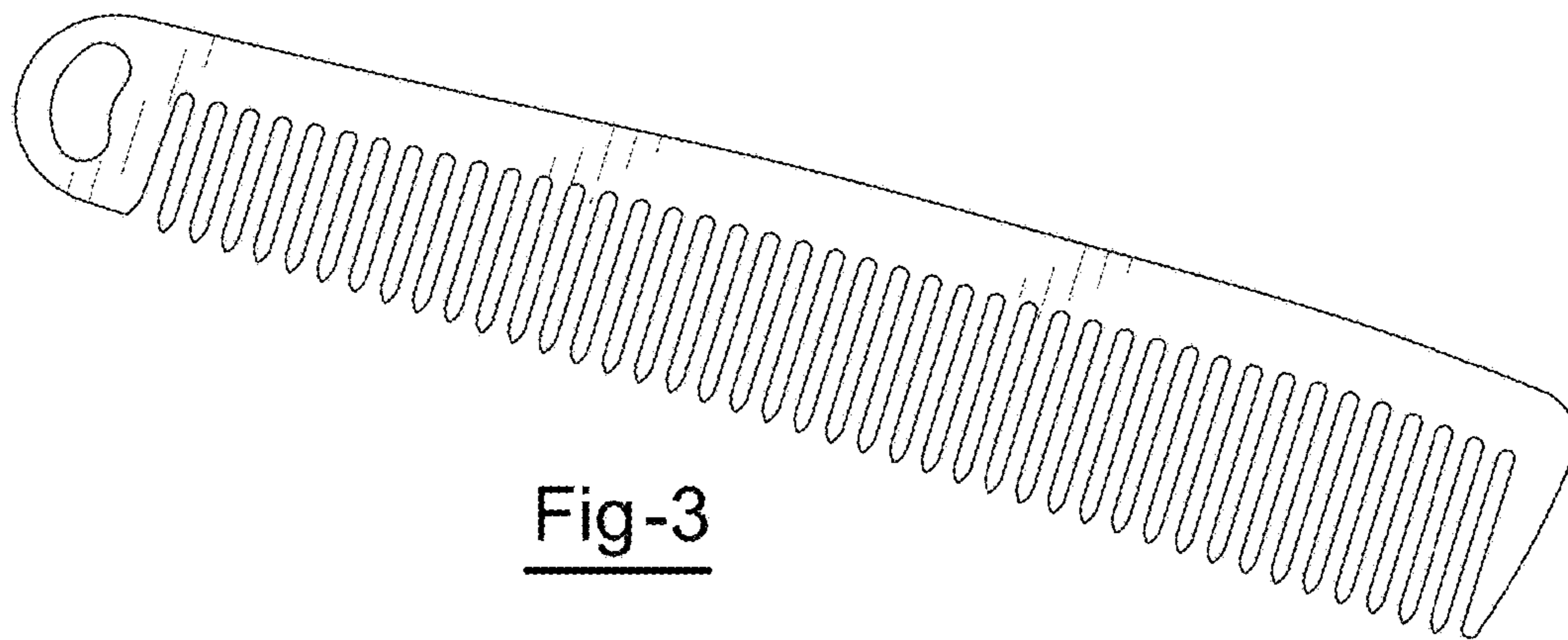


Fig-3

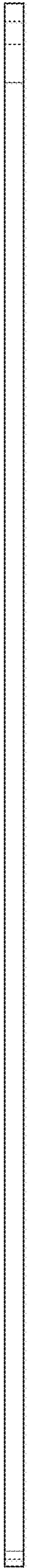


Fig-4



Fig-5

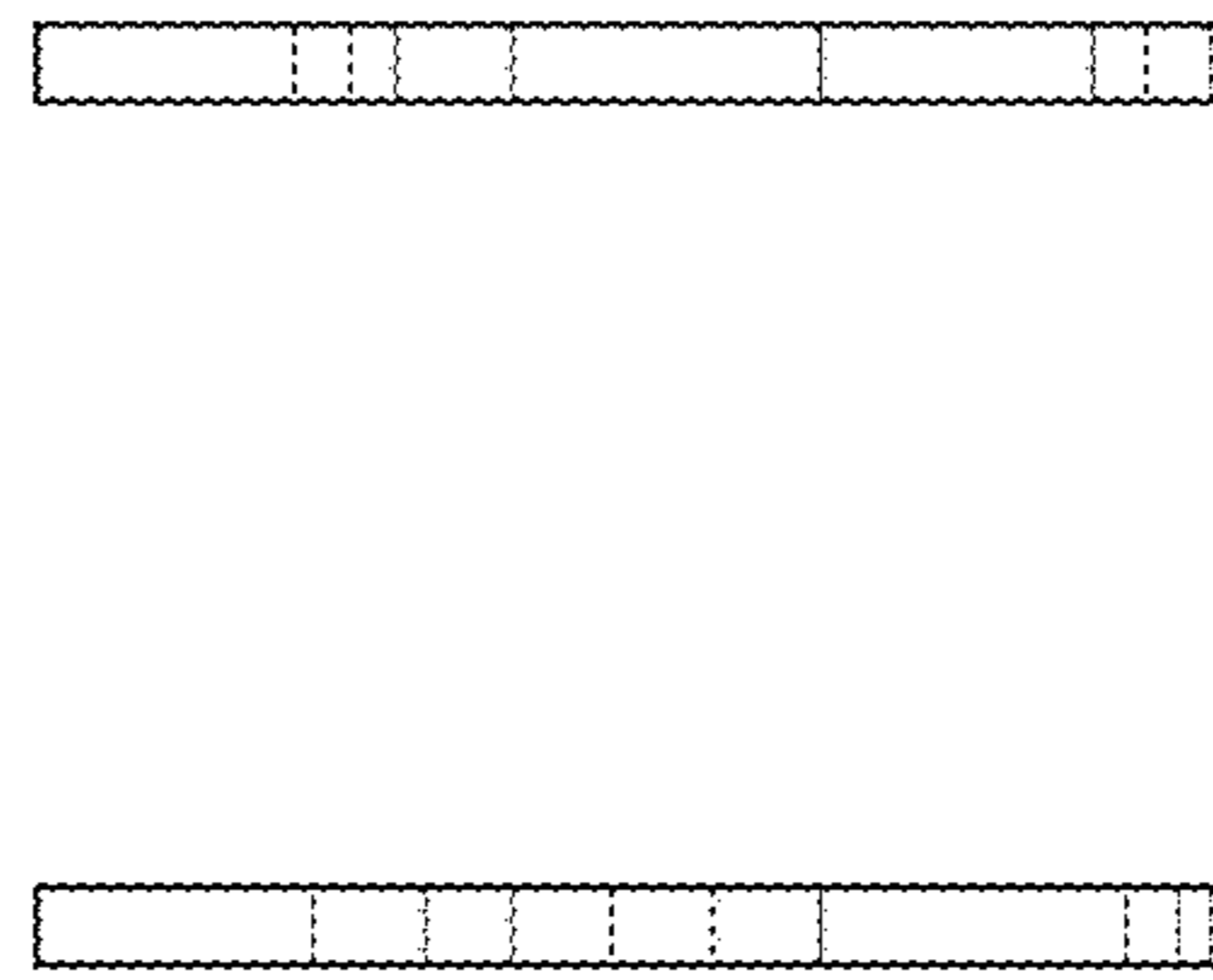


Fig-6

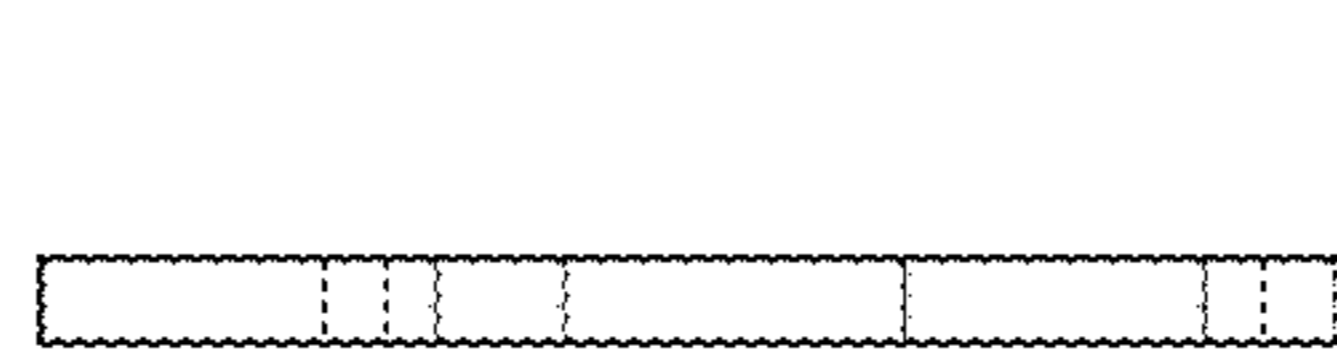


Fig-7

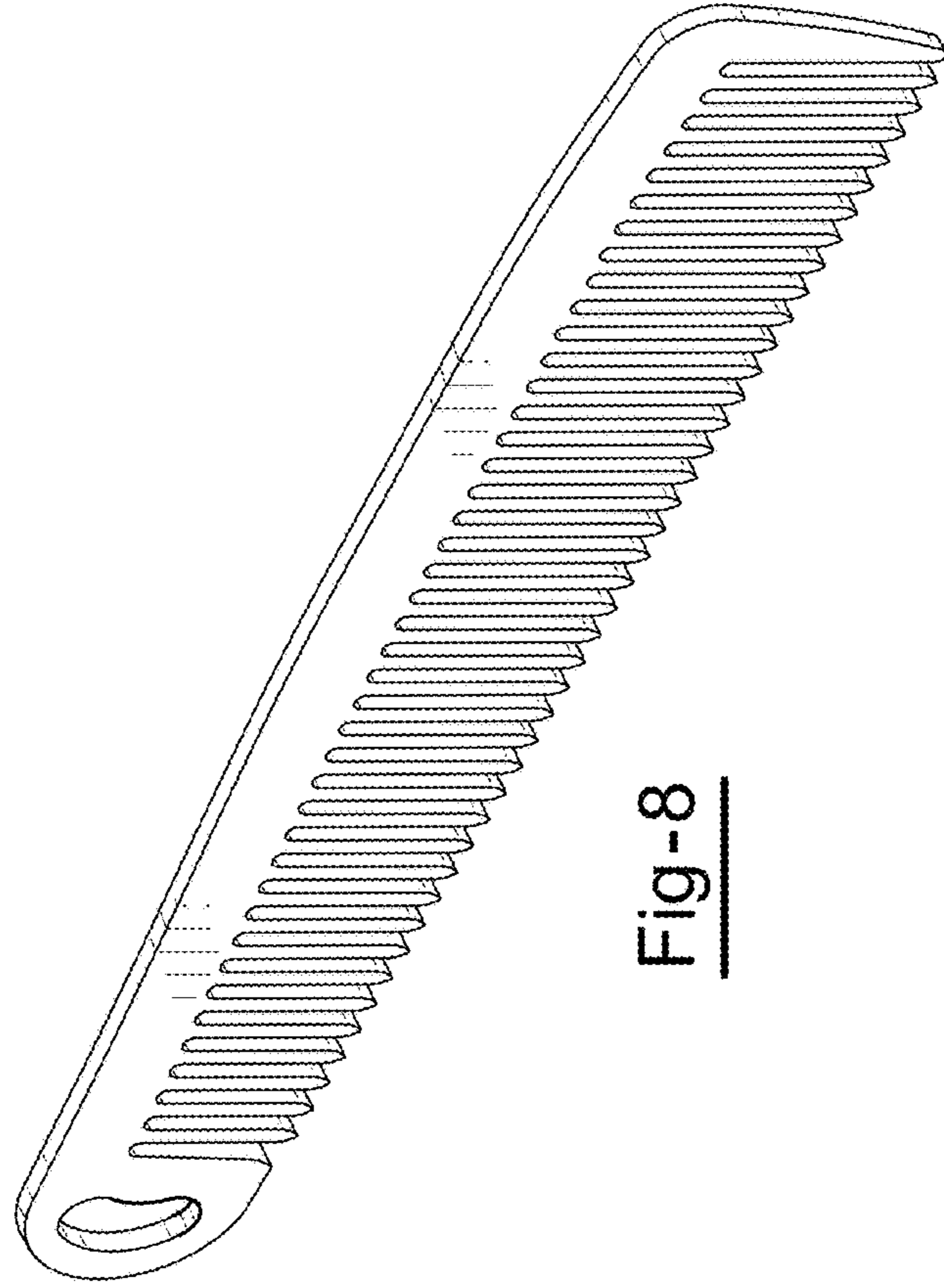


Fig-8