



US00D796736S

(12) **United States Design Patent** (10) **Patent No.:** **US D796,736 S**
Burdeos Andreu (45) **Date of Patent:** **** Sep. 5, 2017**

(54) **CAPSULE**
(71) Applicant: **SUAVIZANTES Y PLASTIFICANTES BITUMINOSOS, S.L.**, Cheste (Valencia) (ES)
(72) Inventor: **Gracia Burdeos Andreu**, Cheste (ES)
(73) Assignee: **Suavizantes Y Plastificantes Bituminosos, S.L.**, Cheste (Valencia) (ES)

D689,240 S * 9/2013 Sunder D28/8.1
D728,157 S * 4/2015 Sarb D28/8.1
D735,408 S * 7/2015 Meier D28/8.1
D735,409 S * 7/2015 Sunder D28/8.1
D744,162 S * 11/2015 Sunder D28/8.1
D748,330 S * 1/2016 Gerhards D28/8.1
D754,925 S * 4/2016 Toh D28/8.1
D759,891 S * 6/2016 Sarb D28/8.1
D760,436 S * 6/2016 Schmaelzle D28/8.1
2015/0071572 A1 * 3/2015 Dreher B31B 29/74
383/105

* cited by examiner

(**) Term: **14 Years**

Primary Examiner — Rosemary K Tarcza

(21) Appl. No.: **29/512,637**

Assistant Examiner — Yolanda Robinson

(22) Filed: **Dec. 22, 2014**

(74) *Attorney, Agent, or Firm* — Wenderoth, Lind & Ponack, L.L.P.

(30) **Foreign Application Priority Data**

Jun. 25, 2014 (WO) 822311001

(51) **LOC (10) Cl.** **28-02**

(52) **U.S. Cl.**
USPC **D28/8.1**

(58) **Field of Classification Search**

USPC D32/29.1; D28/8.1, 8.2, 4; D9/418, 425,
D9/428, 702, 707

CPC C11D 17/00; C11D 17/04; C11D 17/045;
C11D 17/047; C11D 17/048

See application file for complete search history.

(56) **References Cited**

U.S. PATENT DOCUMENTS

D490,567 S * 5/2004 McLeish D28/8.1
D565,244 S * 3/2008 Schwartz D28/8.1

(57) **CLAIM**

The ornamental design for a capsule, as shown and described.

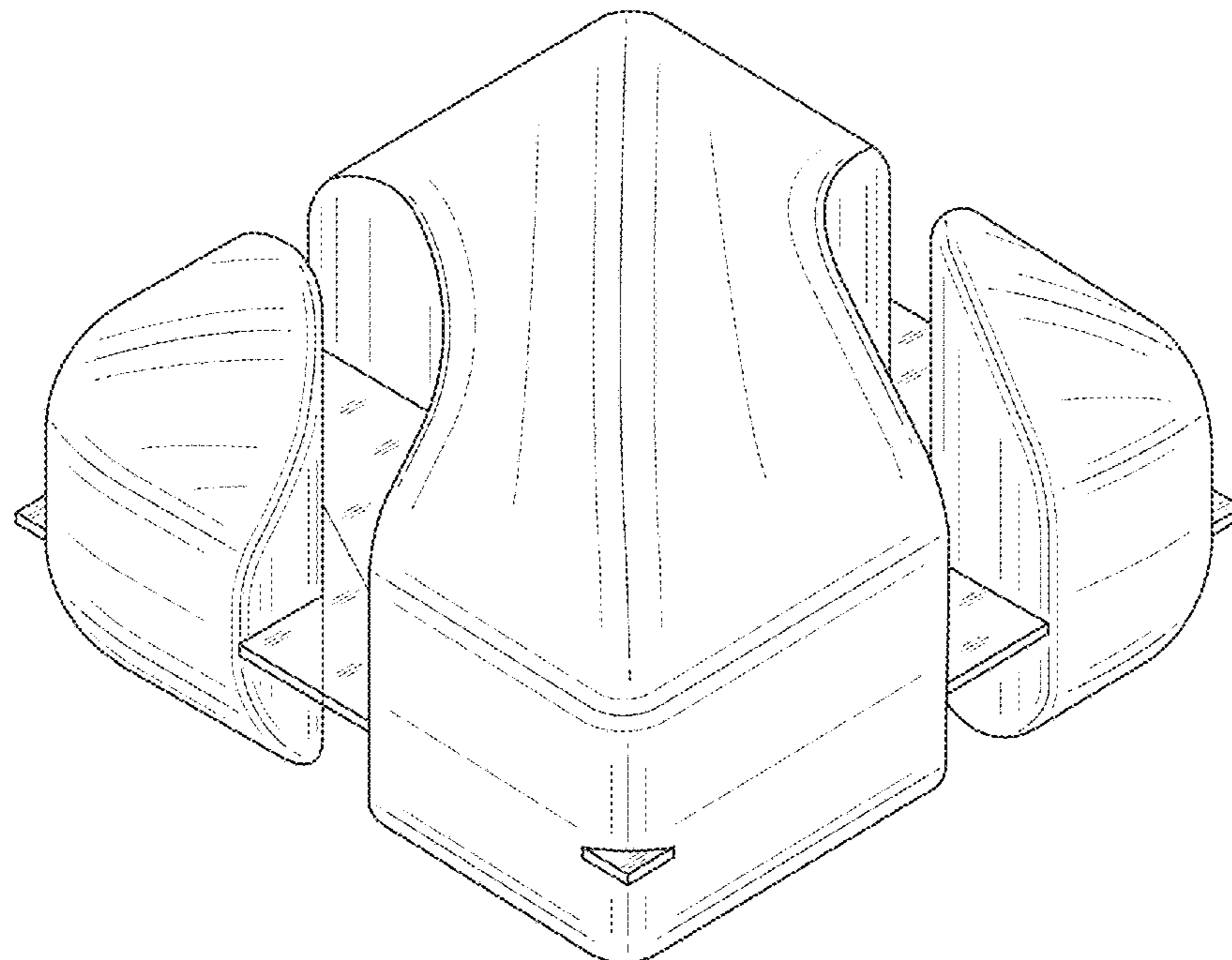
DESCRIPTION

FIG. 1 is a top, right, front perspective view of a capsule, showing my new design;

FIG. 2 is a left side view thereof, the right side view being identical; and,

FIG. 3 is a top plan view thereof, the bottom plan view being a mirror image thereof.

1 Claim, 2 Drawing Sheets



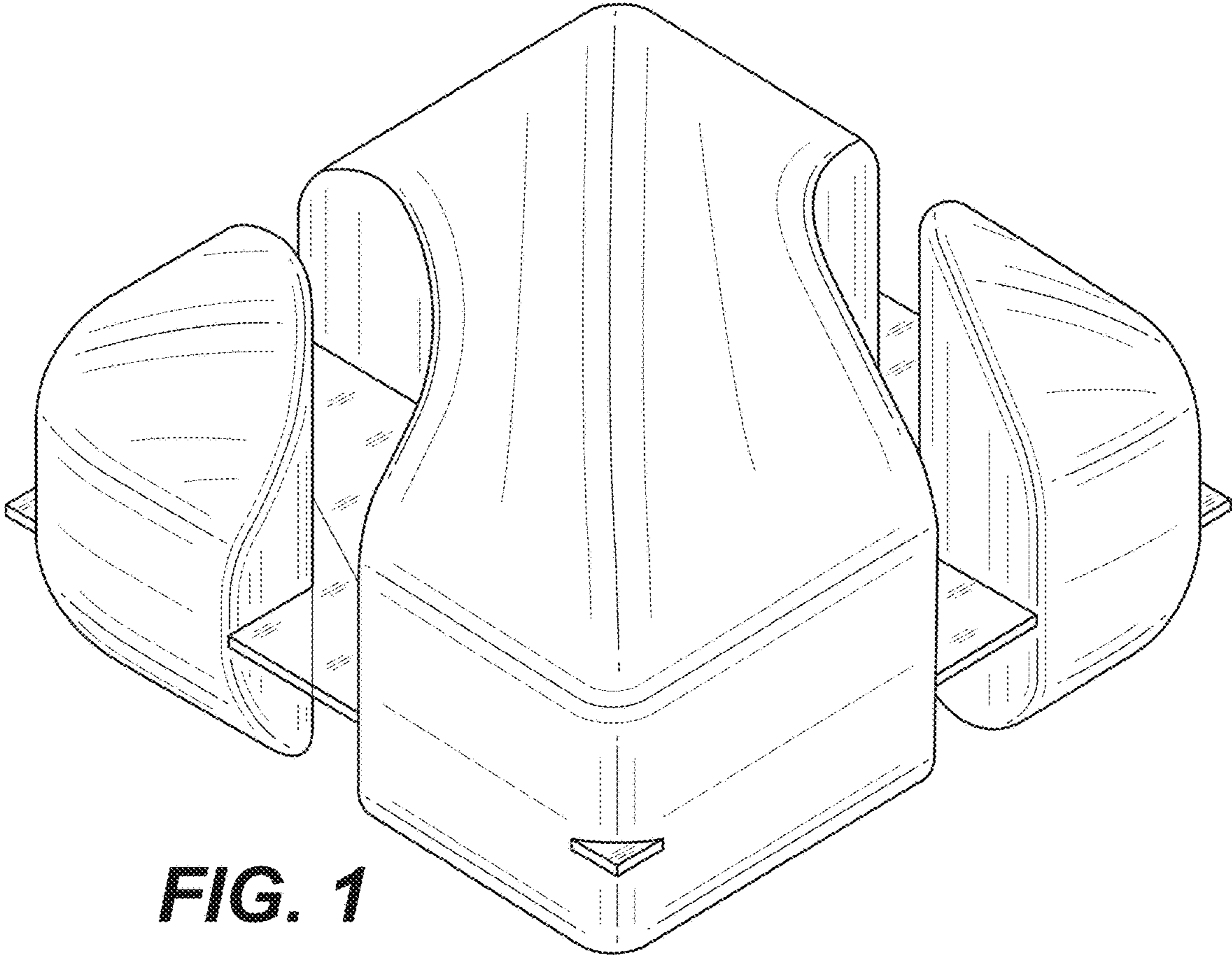


FIG. 1

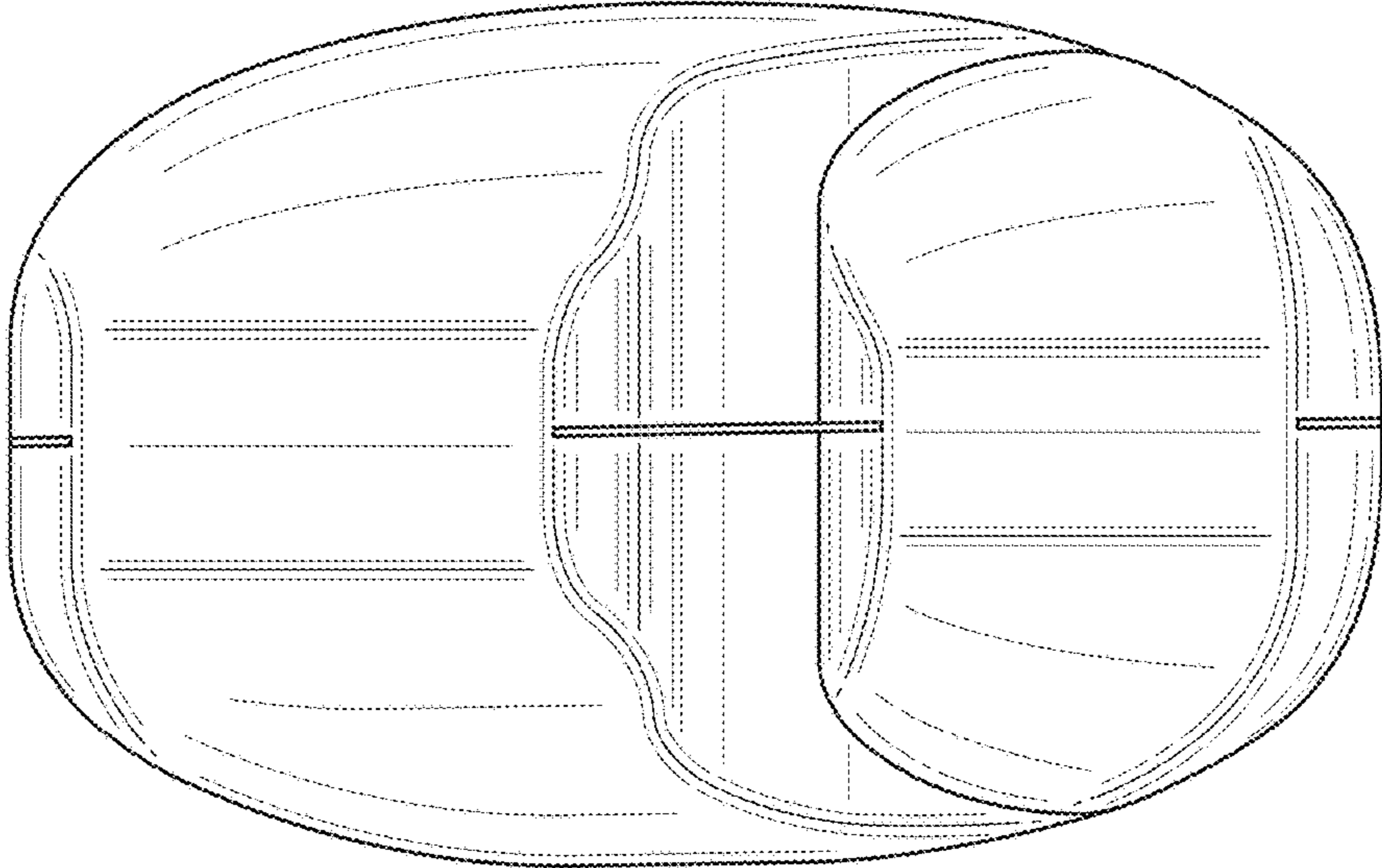


FIG. 2

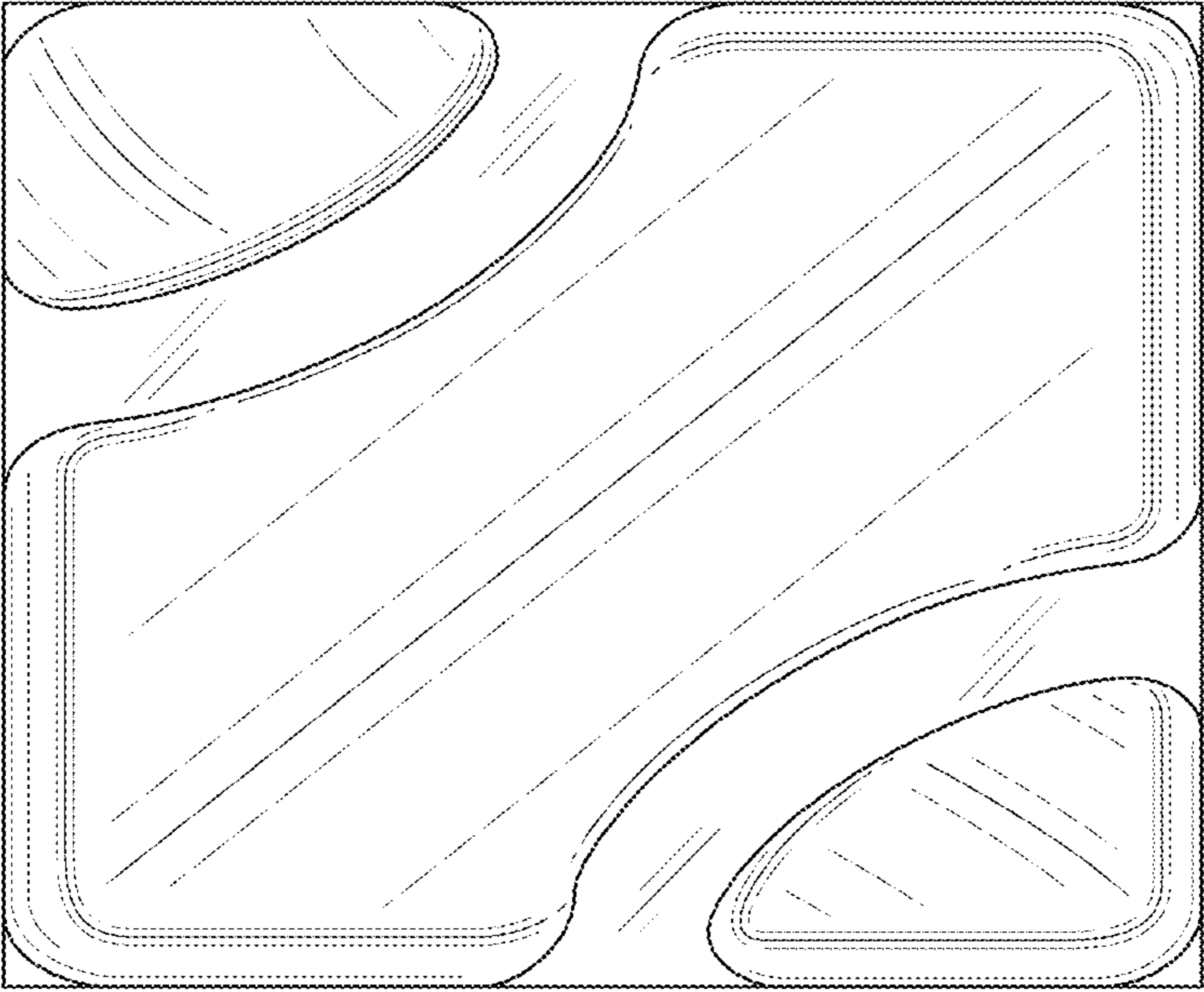


FIG. 3