



US00D796734S

(12) **United States Design Patent** (10) **Patent No.:** **US D796,734 S**
Sonneman (45) **Date of Patent:** **** Sep. 5, 2017**

(54) **POWER BAR FOR SCONCE**
(71) Applicant: **Robert A. Sonneman**, Mamaroneck, NY (US)
(72) Inventor: **Robert A. Sonneman**, Mamaroneck, NY (US)
(**) Term: **15 Years**
(21) Appl. No.: **29/580,014**
(22) Filed: **Oct. 5, 2016**
(51) **LOC (10) Cl.** **26-99**
(52) **U.S. Cl.**
USPC **D26/138**
(58) **Field of Classification Search**
USPC D26/76, 78, 79, 80, 81, 82, 83, 85, 86, D26/88, 90, 113, 118, 119, 120, 121, 122, D26/138, 139, 140, 141, 142
CPC F21S 2/00; F21S 4/00; F21S 4/003; F21S 4/005; F21S 4/006; F21S 4/007; F21S 4/008; F21S 6/00; F21S 8/00; F21S 8/024; F21S 8/026; F21S 8/031; F21S 8/033; F21S 8/035-8/037; F21S 8/04; F21S 8/043; F21S 8/063
See application file for complete search history.

D611,645 S * 3/2010 Copeland D26/76
D642,726 S * 8/2011 Khubani D26/80
D706,516 S * 6/2014 Caglia D1/105
D712,089 S * 8/2014 Rogers D26/142
D756,028 S * 5/2016 Shipman D26/142
D779,712 S * 2/2017 Sonneman D26/138
D788,359 S * 5/2017 Sonneman D26/138
D789,590 S * 6/2017 Sonneman D26/145
D790,761 S * 6/2017 Sonneman D26/138

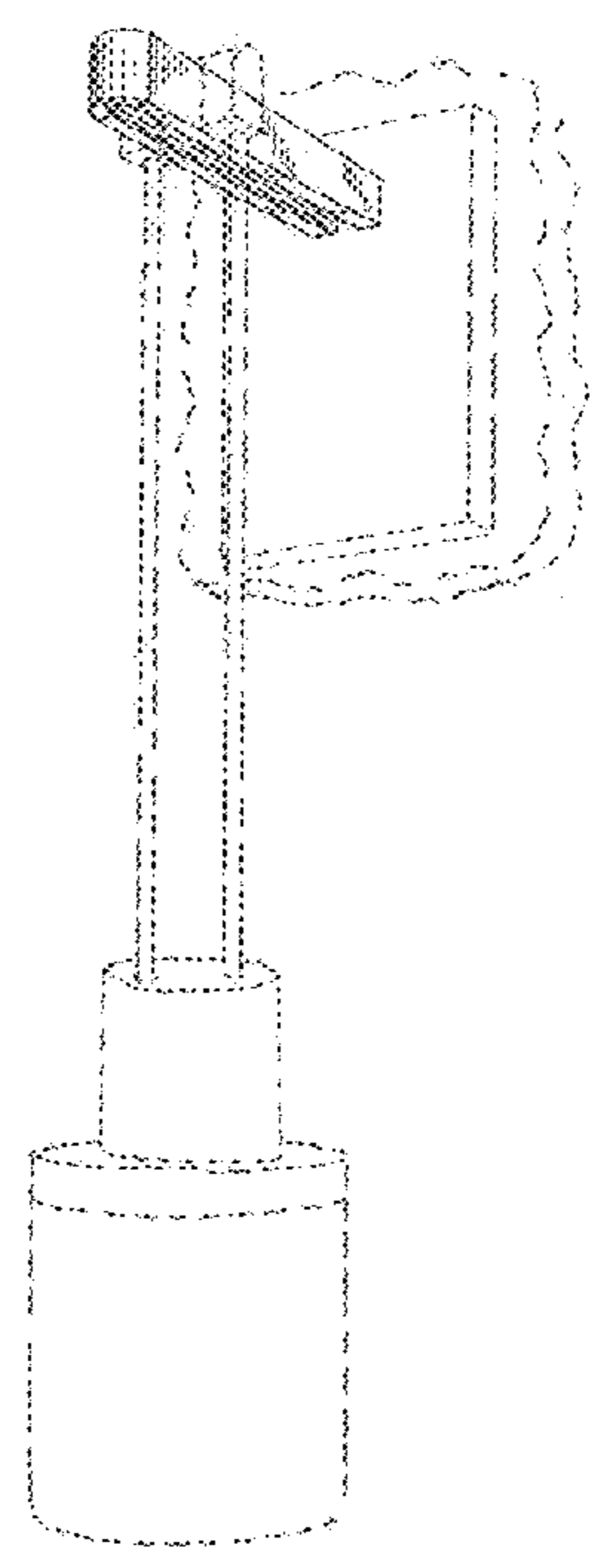
* cited by examiner
Primary Examiner — George D Kirschbaum
Assistant Examiner — Natasha Vujcic
(74) *Attorney, Agent, or Firm* — Gottlieb, Rackman & Reisman, P.C.

(56) **References Cited**
U.S. PATENT DOCUMENTS
D247,845 S * 5/1978 Palm, Jr. D8/352
D381,450 S * 7/1997 Sonneman D26/72
D468,474 S * 1/2003 Poulton D26/90
D494,081 S * 8/2004 Boilen D10/114.4
D586,029 S * 2/2009 Copeland D26/76

(57) **CLAIM**
The ornamental design for a power bar for sconce, as shown and described.

DESCRIPTION
FIG. 1 is a perspective view of the power bar for sconce showing my new design;
FIG. 2 is a top plan view thereof, the bottom plan view being a mirror image;
FIG. 3 is a front elevational view thereof, the rear elevational view being a mirror image; and,
FIG. 4 is a right side elevational view thereof, the left side elevational view being a mirror image.
The broken lines in the drawings are included for the purpose of illustrating portions of the article that form no part of the claimed design.

1 Claim, 2 Drawing Sheets



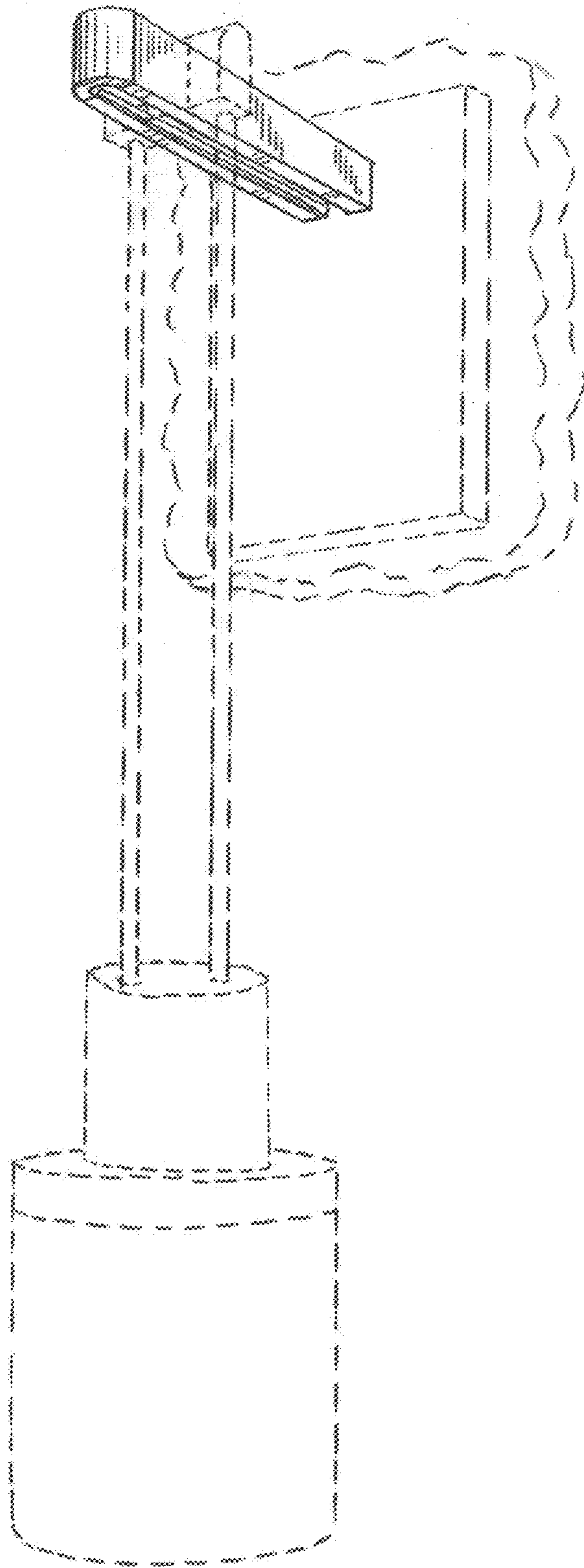


FIG. 1

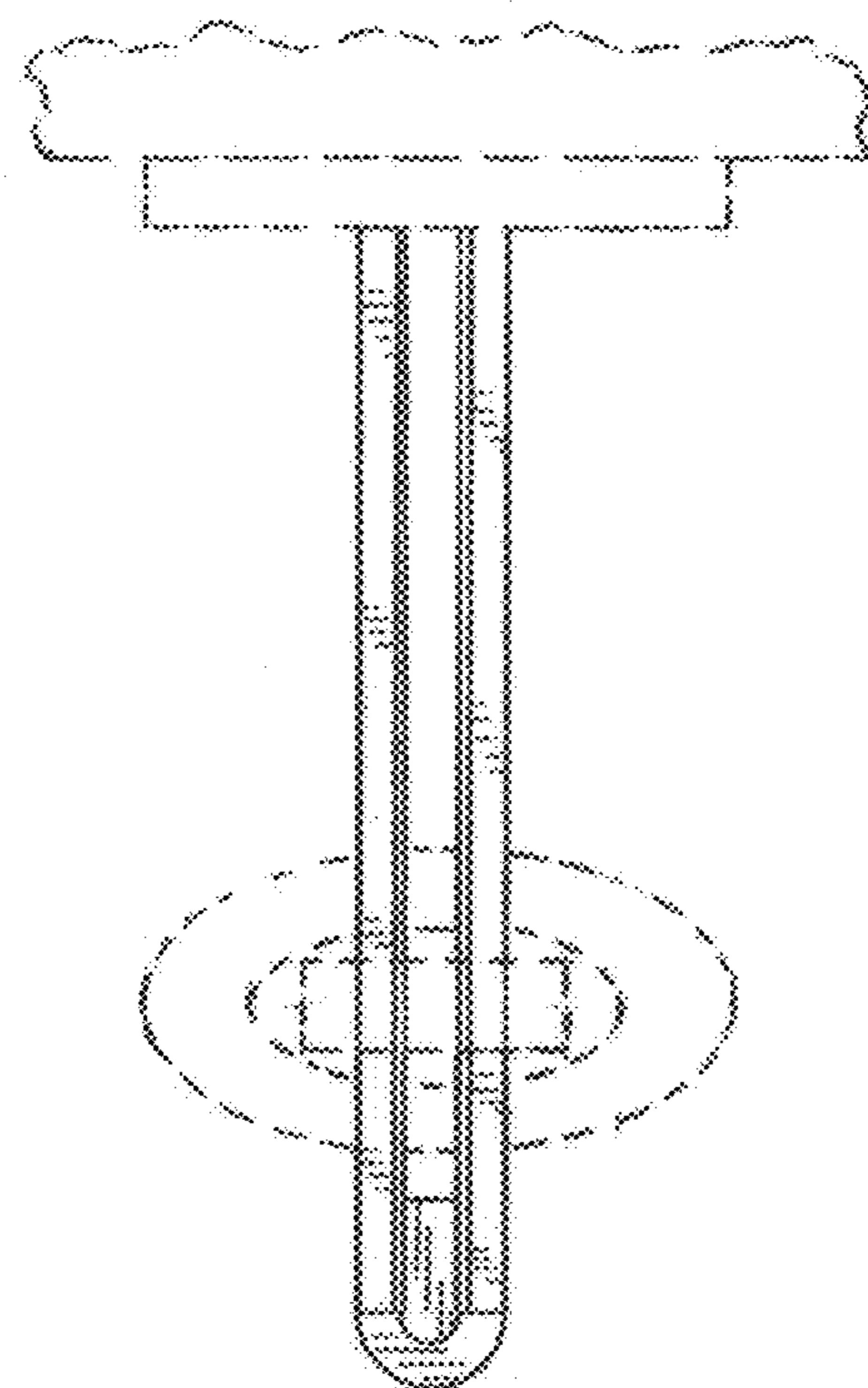


FIG. 2

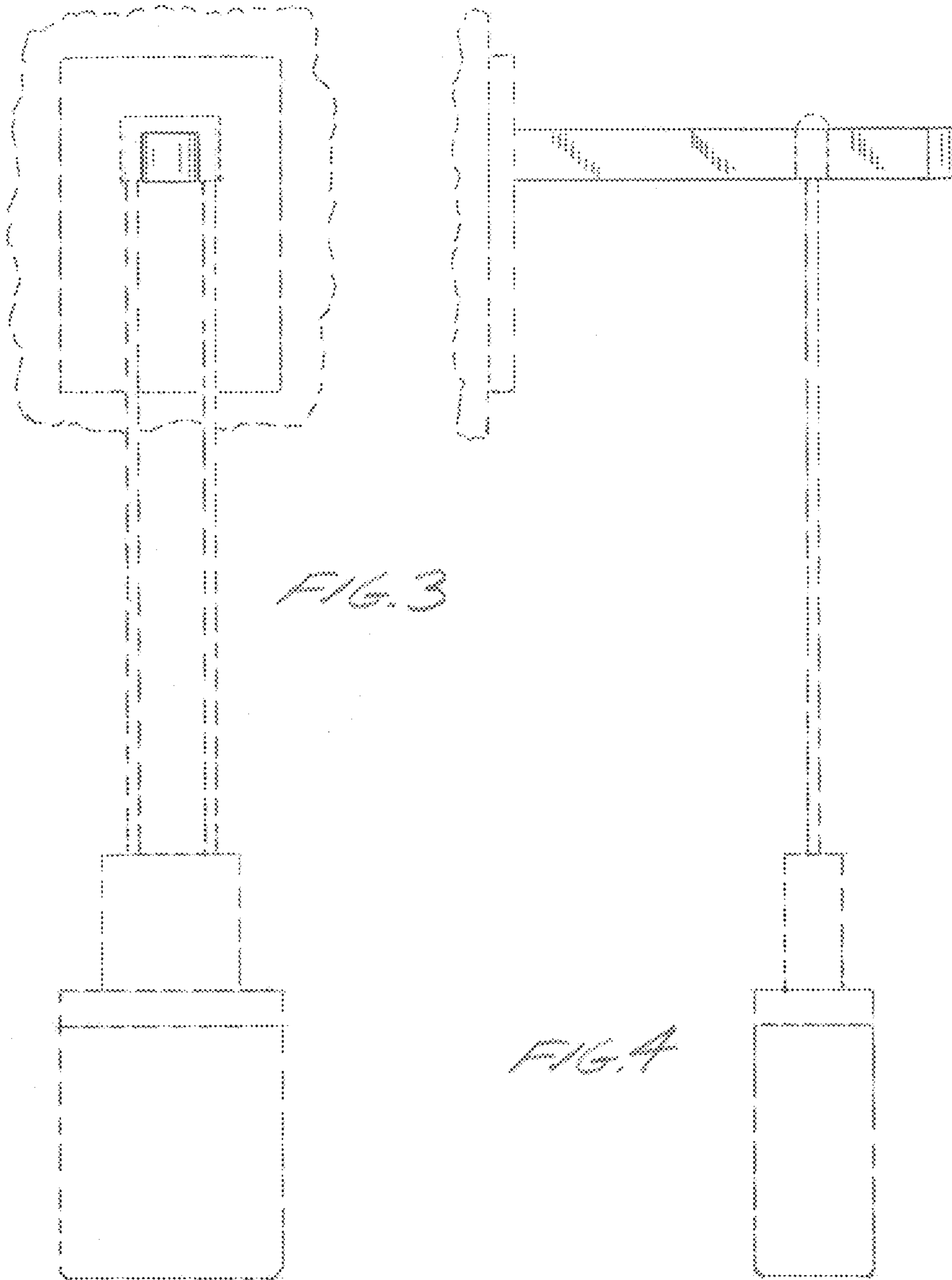


FIG. 3

FIG. 4