

US00D796731S

(12) **United States Design Patent** (10) **Patent No.:** **US D796,731 S**  
**Sonneman** (45) **Date of Patent:** **\*\* Sep. 5, 2017**

(54) **PENDANTS FOR LIGHT FIXTURES**

(71) Applicant: **Robert A. Sonneman**, Mamaroneck, NY (US)

(72) Inventor: **Robert A. Sonneman**, Mamaroneck, NY (US)

(\*\*) Term: **15 Years**

(21) Appl. No.: **29/598,233**

(22) Filed: **Mar. 23, 2017**

D567,988 S	4/2008	Lissoni	
7,354,171 B2	4/2008	Pazula	
D576,339 S	9/2008	Porter	
D588,297 S	3/2009	Rubin	
D588,301 S	3/2009	Sabernig	
D625,457 S	10/2010	Sonneman	
D627,502 S *	11/2010	Zheng	D26/72
D630,365 S	1/2011	Sabernig	
D656,664 S *	3/2012	Son	D26/118
D659,883 S	5/2012	Herremans	
D659,884 S	5/2012	Sabernig	
D660,504 S	5/2012	Martin	
D669,621 S	10/2012	Sabernig	
D671,670 S	11/2012	Sonneman	
D682,460 S *	5/2013	Wanders	D26/130
D687,986 S *	8/2013	Maxik	D26/2

(Continued)

**Related U.S. Application Data**

(62) Division of application No. 29/551,563, filed on Jan. 14, 2016, now Pat. No. Des. 787,109.

(51) **LOC (10) Cl.** ..... **26-99**

(52) **U.S. Cl.**  
USPC ..... **D26/118; D26/128**

(58) **Field of Classification Search**  
USPC ..... D26/81-91, 118, 128, 113, 120, 122, D26/123, 130, 137, 72, 80  
CPC .... F21S 8/04; F21S 8/043; F21S 8/046; F21S 8/06; F21S 8/061; F21S 8/063; F21S 8/065

See application file for complete search history.

(56) **References Cited**

**U.S. PATENT DOCUMENTS**

D89,305 S *	2/1933	Hale	D26/88
D105,531 S *	8/1937	Korengold	D26/128
D317,058 S	5/1991	Sonneman	
D320,465 S *	10/1991	Sonneman	D26/86
D392,764 S *	3/1998	Balish, Jr.	D26/105
D418,938 S *	1/2000	McCartney	D26/88
D436,211 S *	1/2001	Neeld	D26/85
D481,489 S *	10/2003	Cline	D26/128
D488,880 S *	4/2004	Rahn	D26/72
D559,428 S *	1/2008	Kravitz	D26/84

*Primary Examiner* — Brian N Vinson

(74) *Attorney, Agent, or Firm* — Gottlieb, Rackman & Reisman, P.C.

(57) **CLAIM**

The ornamental design for pendants for light fixtures, as shown and described.

**DESCRIPTION**

FIG. 1 is a perspective of a pendants for light fixtures showing my new design;

FIG. 2 is an enlarged perspective view of a single pendant thereof, the remaining pendants being omitted for clarity of illustration;

FIG. 3 is an enlarged top plan view of FIG. 2;

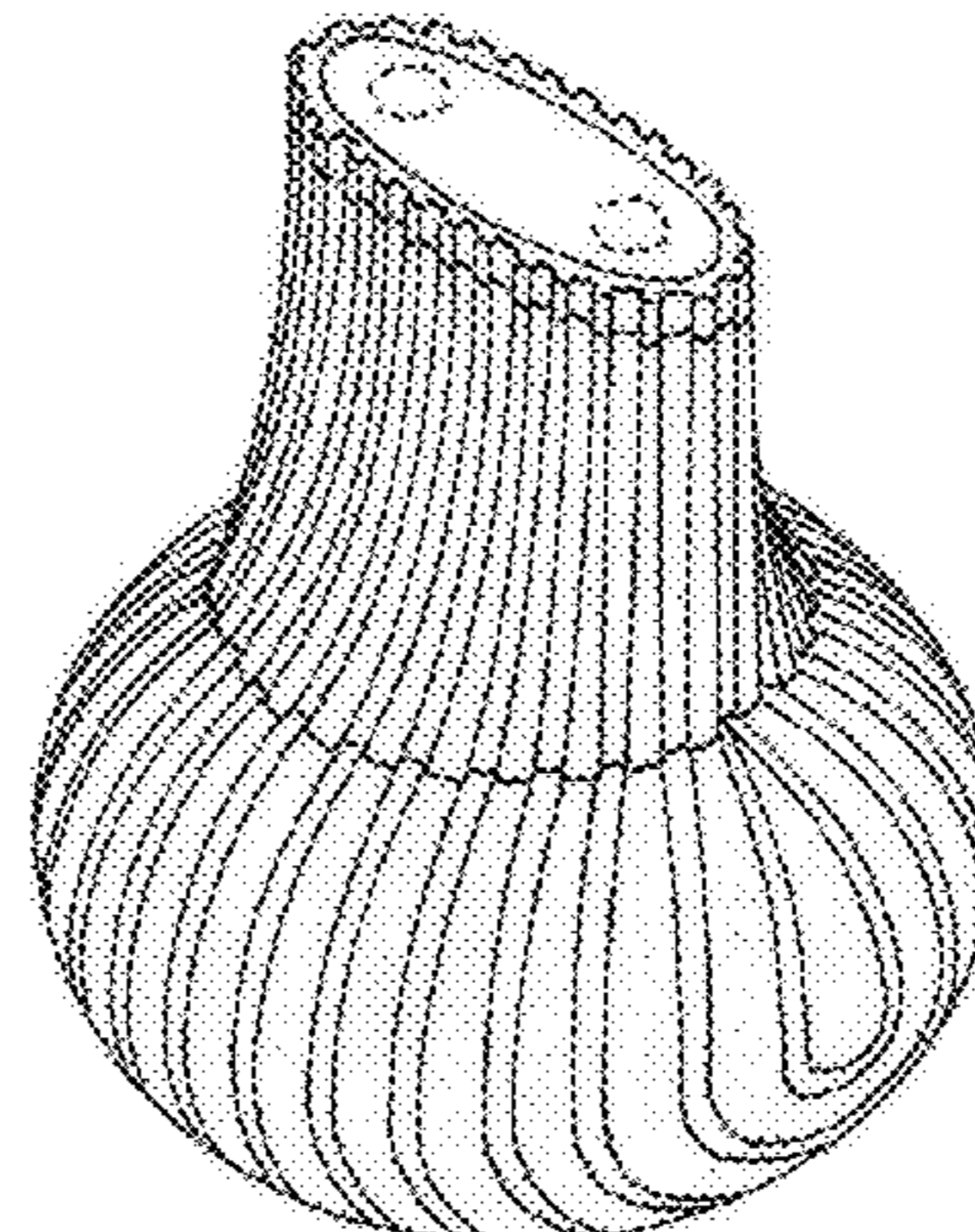
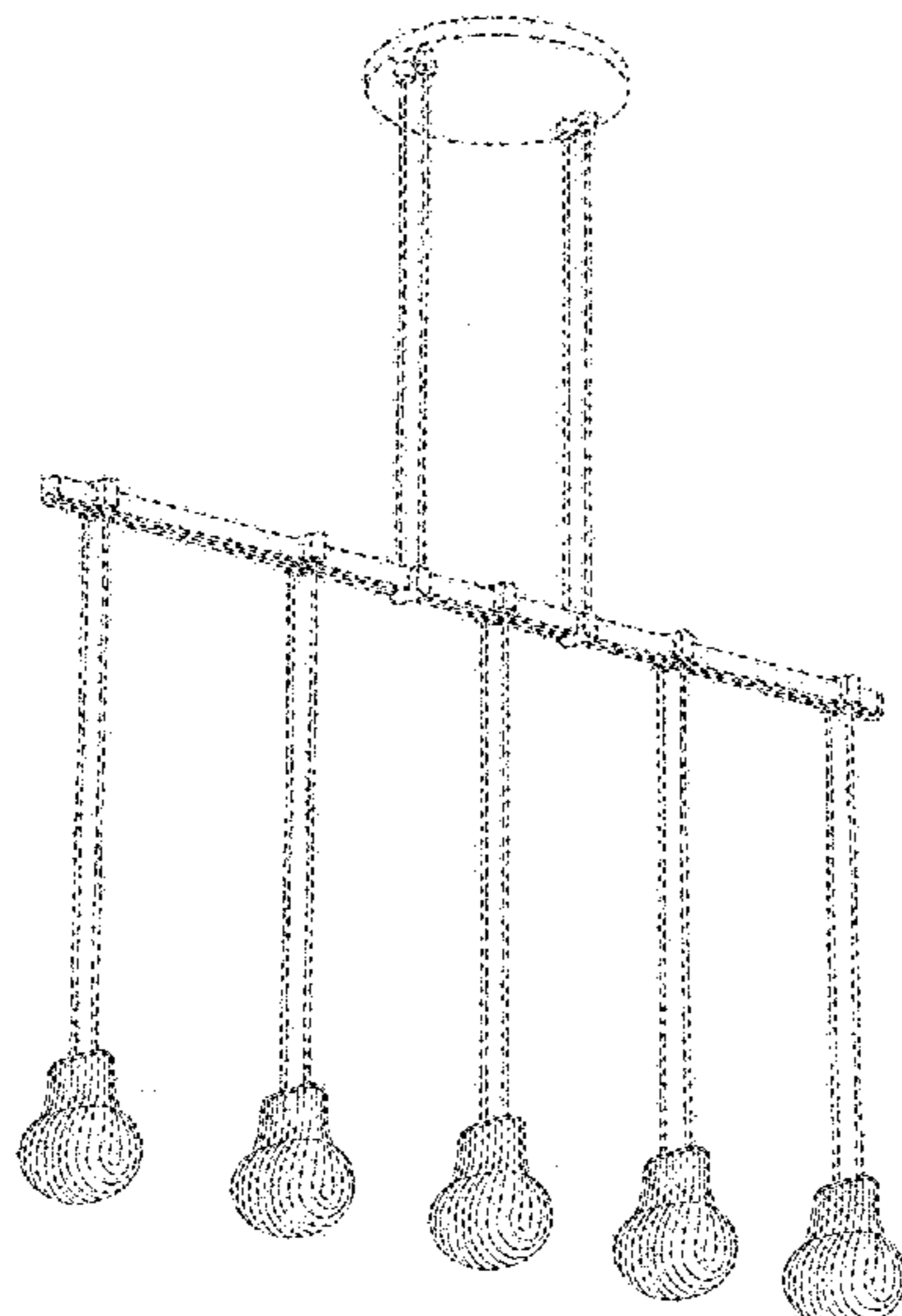
FIG. 4 is an enlarged front elevational view of FIG. 2, the rear elevational view being a mirror image;

FIG. 5 is an enlarged right side elevational view of FIG. 2, the left side elevational view being a mirror image; and,

FIG. 6 is a bottom plan view of FIG. 2.

The broken lines shown in the drawings are included for the purpose of illustrating portions of the article that form no part of the claimed design.

**1 Claim, 2 Drawing Sheets**



(56)

**References Cited**

U.S. PATENT DOCUMENTS

D707,382 S \* 6/2014 Ni ..... D26/72  
D715,479 S \* 10/2014 Johnston ..... D26/113  
D715,986 S 10/2014 Anastassiades  
D730,651 S 6/2015 Perego  
D758,637 S 6/2016 Herzog  
D770,667 S 11/2016 Orozco  
D772,467 S 11/2016 Sonneman  
D774,680 S 12/2016 Vidmar  
D790,120 S \* 6/2017 Sonneman ..... D26/128  
D790,121 S \* 6/2017 Sonneman ..... D26/128

\* cited by examiner

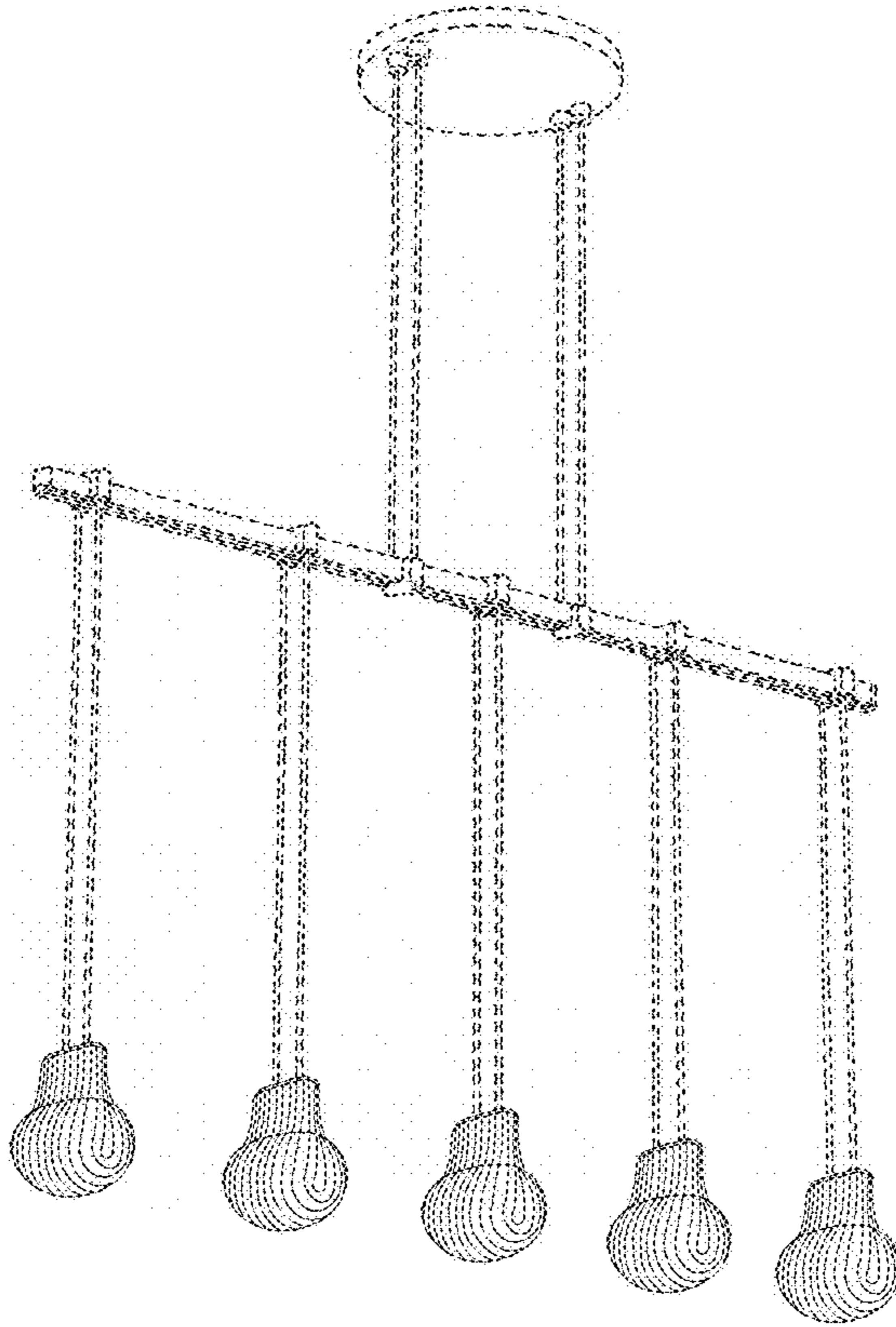
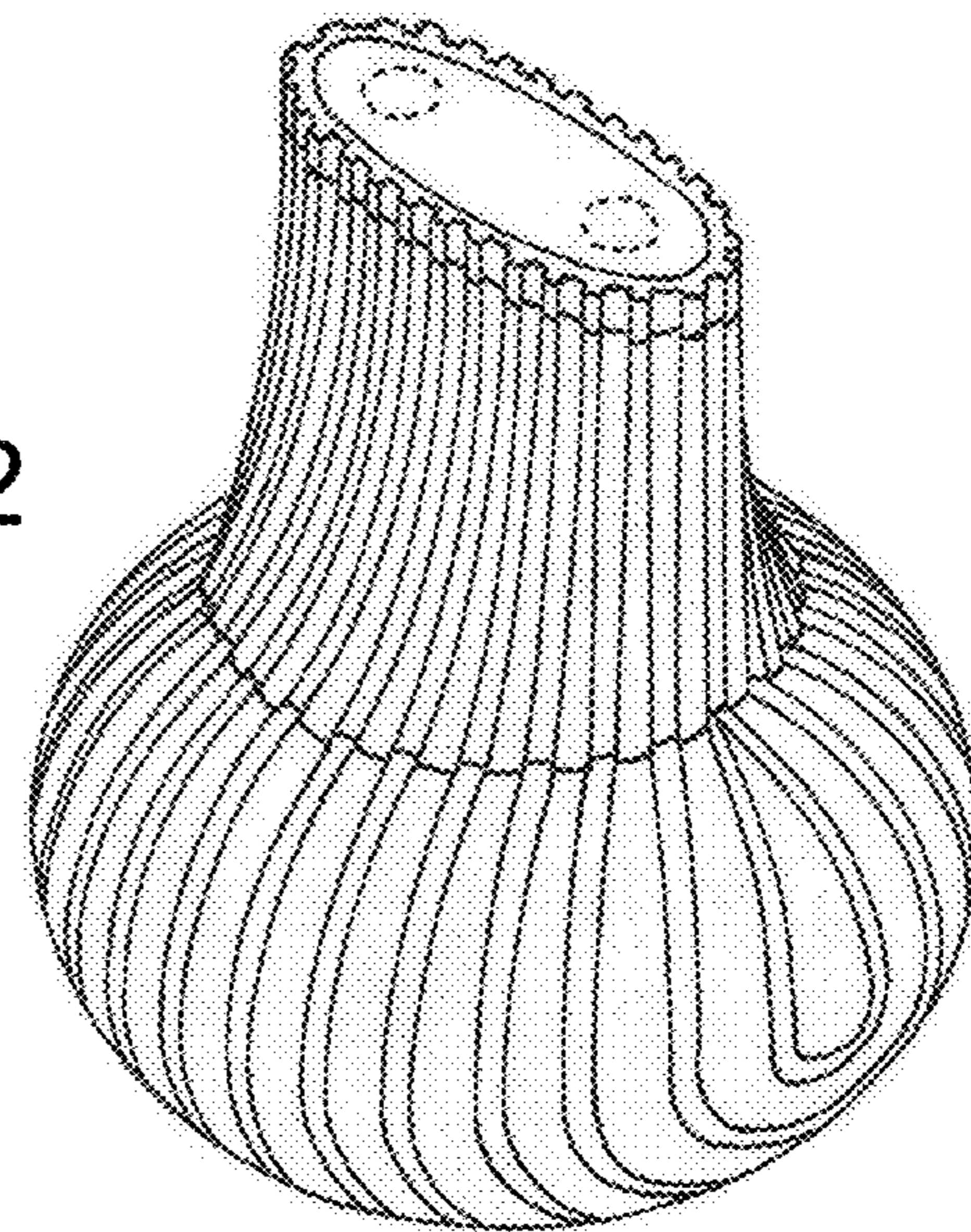


FIG. 1

FIG. 2



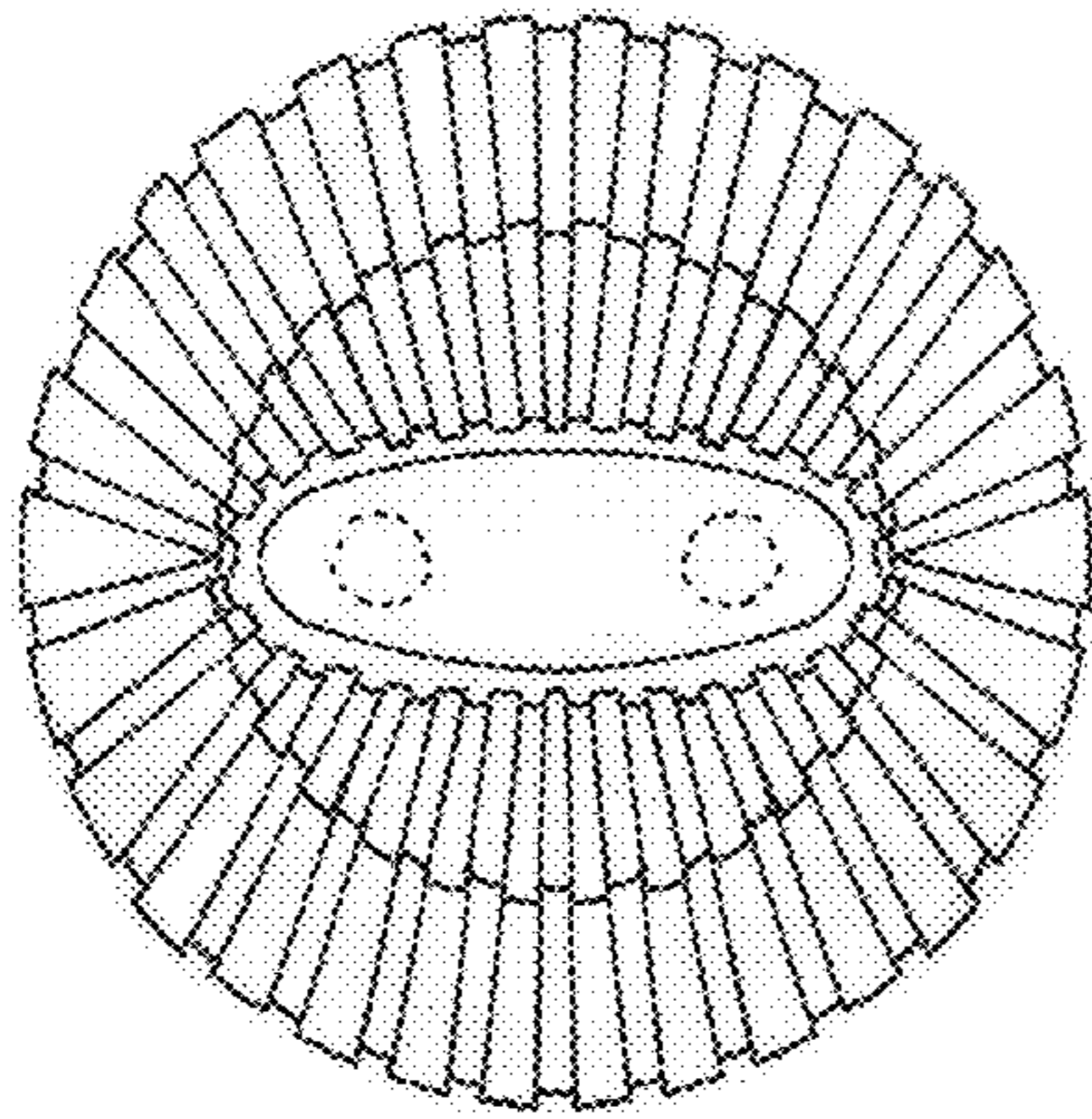


FIG. 3

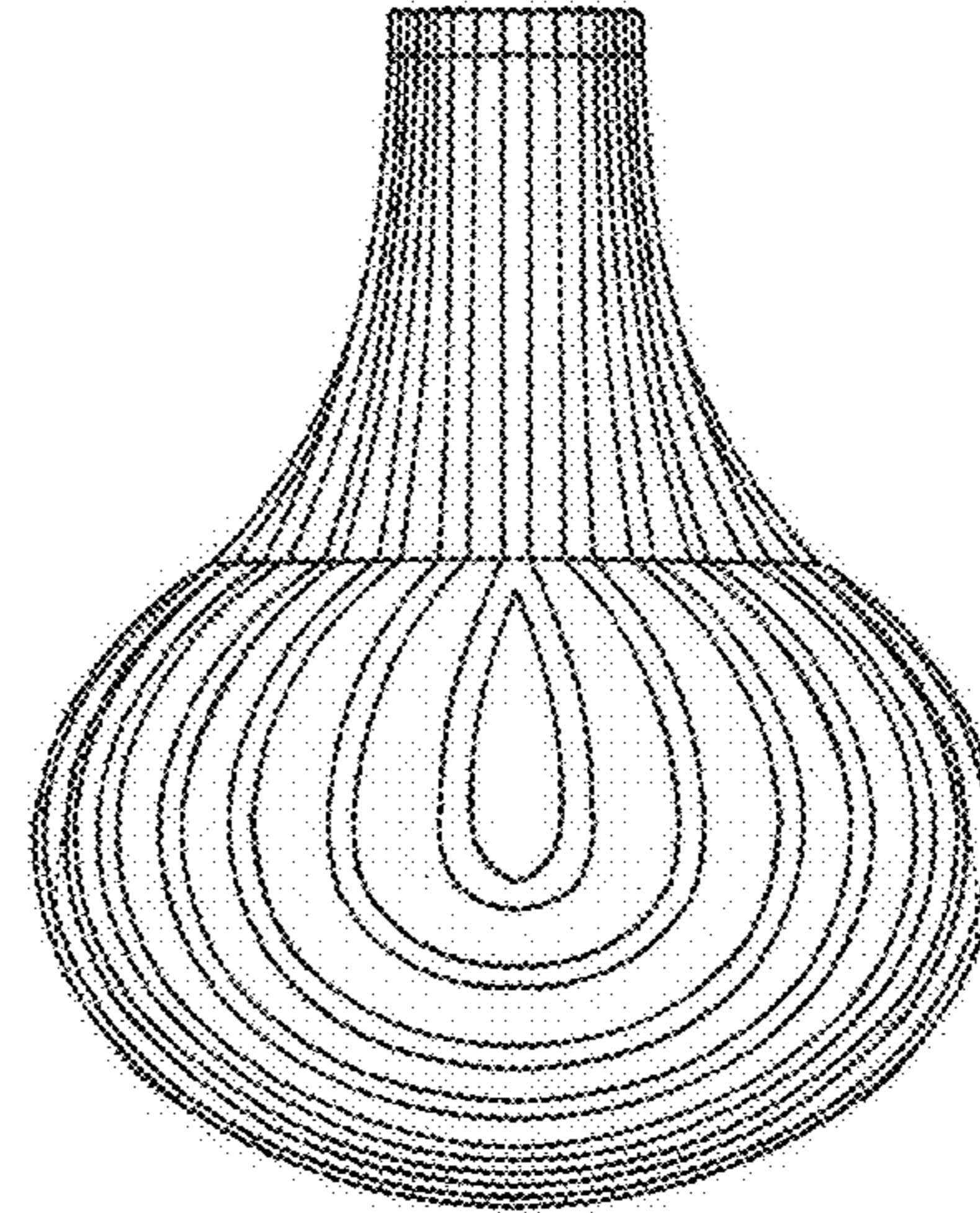


FIG. 5

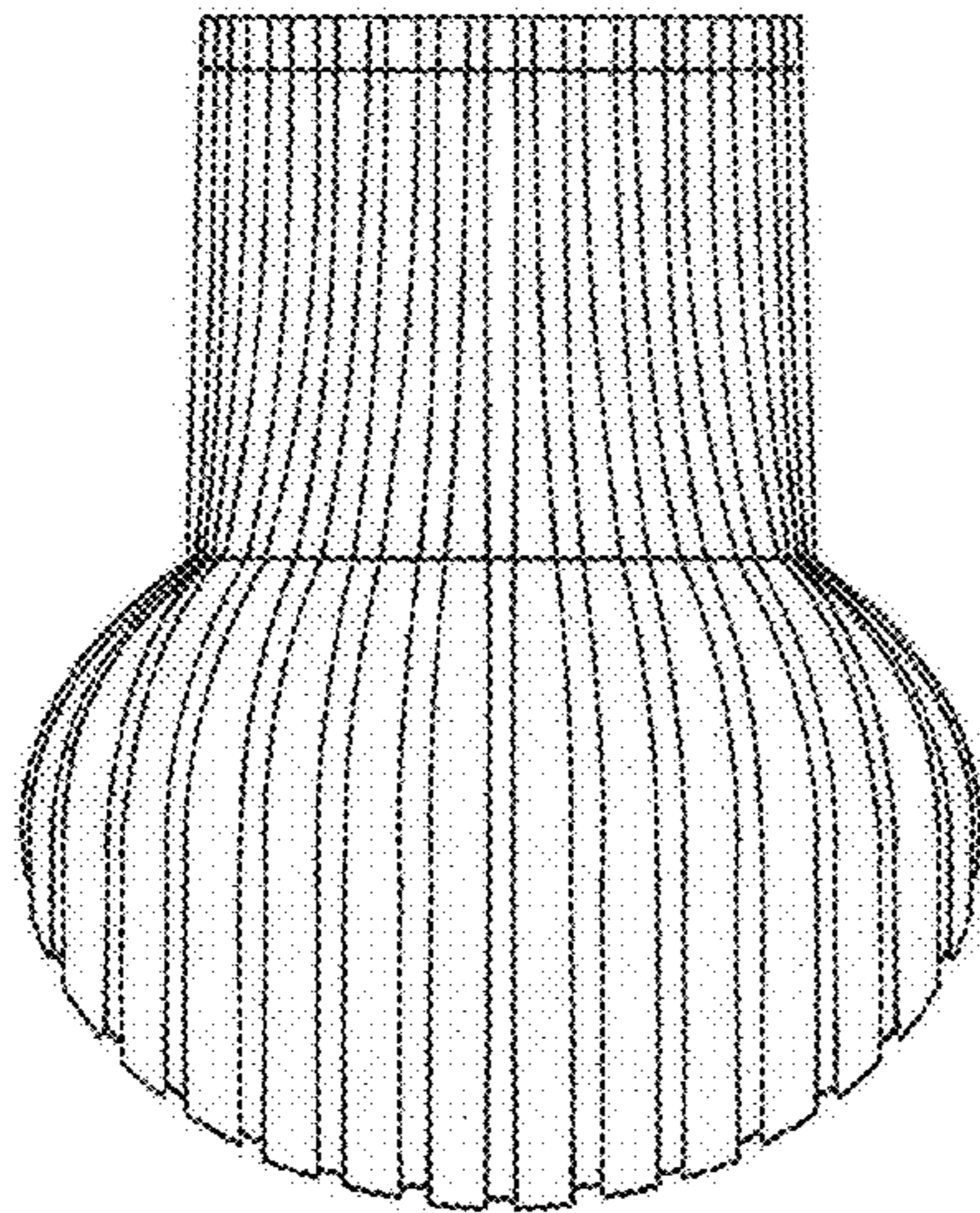


FIG. 4

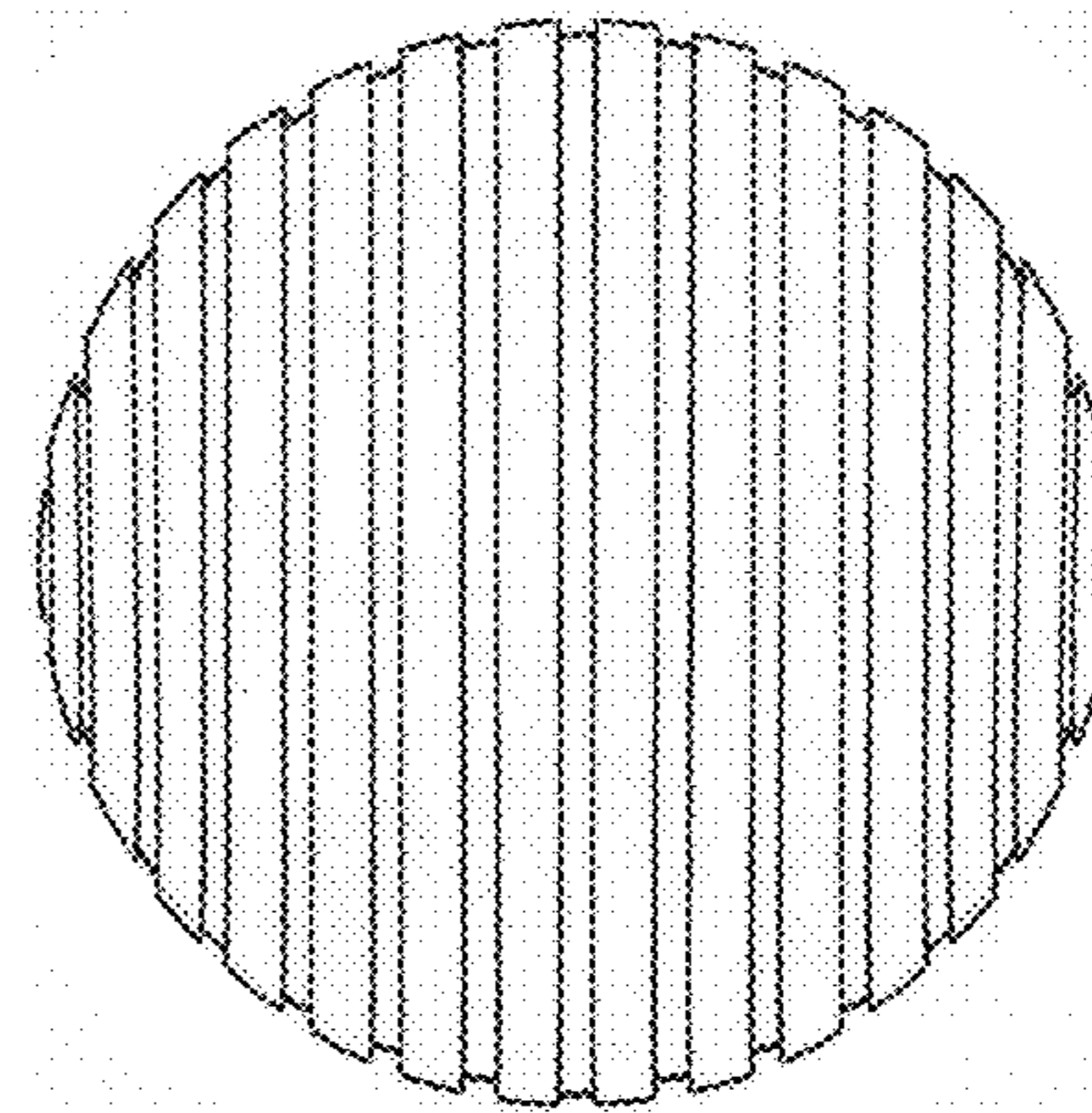


FIG. 6