



US00D796727S

(12) **United States Design Patent** (10) **Patent No.:** **US D796,727 S**
Reynolds (45) **Date of Patent:** **** Sep. 5, 2017**

(54) **HORTICULTURE GROW LIGHT HOUSING**
(71) Applicant: **IP HOLDINGS, LLC**, Vancouver, WA (US)
(72) Inventor: **Christopher Reynolds**, Vancouver, WA (US)
(73) Assignee: **IP Holdings, LLC**, Vancouver, WA (US)

1,410,945 A 3/1922 Mayfield
1,547,026 A 7/1925 Canney
1,798,567 A 3/1931 Wagenhorst
(Continued)

FOREIGN PATENT DOCUMENTS

CA 2034710 8/1991
CA 2034710 A1 8/1991
(Continued)

(**) Term: **15 Years**
(21) Appl. No.: **29/539,674**
(22) Filed: **Sep. 16, 2015**

OTHER PUBLICATIONS

Sun System 630 Ceramic Metal Halide 120v Specifications, GrowersHouse.com, update on Sep. 9, 2014, Online. Site visited Feb. 3, 2015. http://growershouse.com/aitdownloadablefiles/download/aitfile/aitfile_id/583/.

(Continued)

Related U.S. Application Data

(63) Continuation of application No. 29/500,346, filed on Aug. 25, 2014, now Pat. No. Des. 739,595, which is a continuation of application No. 29/460,230, filed on Jul. 9, 2013, now Pat. No. Des. 745,993.

Primary Examiner — Brian N Vinson
(74) *Attorney, Agent, or Firm* — J. Douglas Wells

(51) **LOC (10) Cl.** **26-99**
(52) **U.S. Cl.**
USPC **D26/118**

(57) **CLAIM**

The ornamental design for a horticulture grow light housing, as shown and described.

(58) **Field of Classification Search**
USPC ... D26/9, 10, 12, 13, 15, 16, 24, 51, 61, 72, D26/76, 80, 81, 85, 86, 88, 90, 113, 118, D26/119, 120, 122, 128, 129, 138, 143, D26/144
CPC B60Q 1/04; B60Q 1/26; F21S 8/026; F21S 8/04; F21V 29/004; F21V 21/02; F21V 21/04; F21V 29/2212; F21V 7/22; F21V 29/83; F21V 37/002; F21V 7/00; F21L 19/00; F23D 11/443; F21Y 2101/02; A61L 9/037

DESCRIPTION

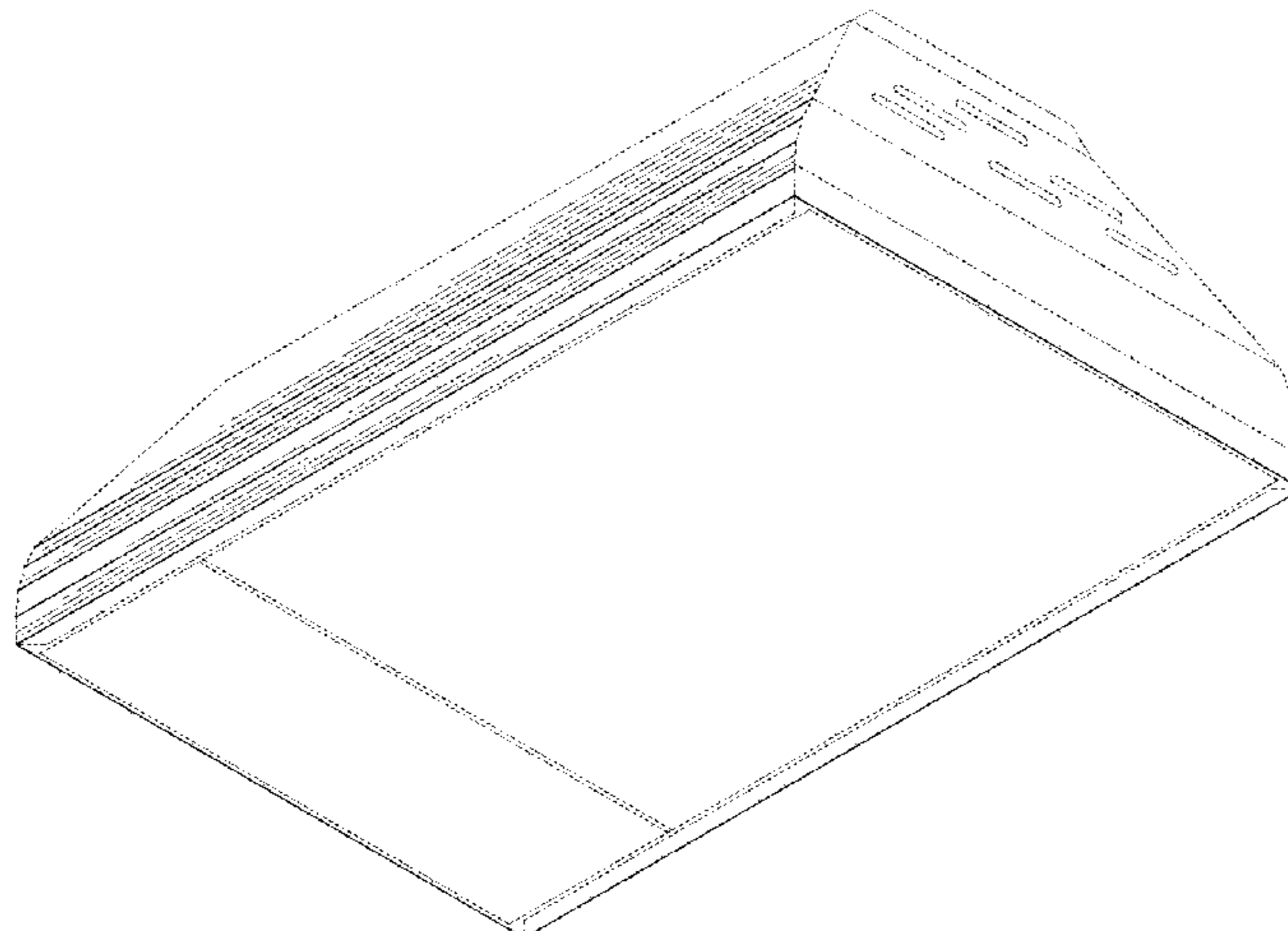
FIG. 1 is a front bottom view of a horticulture grow light housing showing my new design;
FIG. 2 is a top rear perspective view thereof;
FIG. 3 is a left side view thereof;
FIG. 4 is a right side view thereof;
FIG. 5 is a rear elevation view thereof;
FIG. 6 is a front elevation view thereof;
FIG. 7 is a bottom view thereof; and,
FIG. 8 is top view thereof.
The broken lines in the drawings represent portions of the horticulture grow light housing which form no part of the claimed design.

See application file for complete search history.

(56) **References Cited**
U.S. PATENT DOCUMENTS

D32,722 S 7/1861 Schmidlin
D46,253 S 8/1914 Kopp

1 Claim, 7 Drawing Sheets



(56)

References Cited

U.S. PATENT DOCUMENTS

D85,049 S	9/1931	Kopp	D349,358 S	8/1994	Herst
D85,382 S	10/1931	Guth	5,353,746 A	10/1994	Del Rosario
1,848,734 A	3/1932	Luce	D352,126 S	11/1994	Ruud
1,873,310 A	8/1932	Doane	5,440,470 A	8/1995	Ly
1,930,070 A	10/1933	Zecher	5,461,554 A	10/1995	Leonetti et al.
1,987,705 A	1/1935	Pedersen	D365,159 S	12/1995	Tinen
D106,614 S *	10/1937	Waterbury	5,486,737 A	1/1996	Hrubowchak et al.
2,194,841 A	3/1940	Welch	5,510,676 A	4/1996	Cottaar et al.
D119,800 S	4/1940	Carter	D373,000 S	8/1996	Brady
D123,768 S	12/1940	Scribner	5,555,162 A	9/1996	Shemitz
D125,559 S	3/1941	Biller	D374,301 S	10/1996	Kleffiman
2,242,590 A	5/1941	Marcel	5,568,680 A	10/1996	Parker
D128,049 S	7/1941	Kurtz	5,570,947 A	11/1996	Felland
D135,375 S	3/1943	Biller	D376,437 S	12/1996	Karlo
2,339,100 A	1/1944	Netting	D377,993 S	2/1997	Herst
2,348,617 A	5/1944	Furedy	5,621,267 A	4/1997	Shaffner
D156,014 S	11/1949	Lazerson	D383,243 S	9/1997	Fry
2,492,946 A	1/1950	Barber	5,698,947 A	12/1997	Choi
D174,221 S	3/1955	Hatch	5,702,179 A	12/1997	Sidwell
2,740,883 A	4/1956	Kruger	D391,632 S	3/1998	Thomas
2,741,694 A	4/1956	Wiig	D396,319 S	7/1998	Sutton
2,998,511 A	8/1961	Chan	D397,481 S	8/1998	Schafer
3,025,391 A	3/1962	Golko	D399,328 S	10/1998	Compton
D193,802 S	10/1962	Thomsen	D399,329 S	10/1998	Compton
D195,012 S	4/1963	Hoyle	D399,587 S	10/1998	Compton
3,125,301 A	3/1964	Stotter	D400,289 S	10/1998	Wardenburg
3,263,071 A	7/1966	Fabbri	5,816,694 A	10/1998	Ideker
3,272,978 A	9/1966	Jackson	D401,006 S	11/1998	Edwards
3,322,946 A	5/1967	Cooper	D405,976 S	2/1999	Beall
3,420,995 A	1/1969	Dunckel	5,896,004 A	4/1999	Feldman et al.
D213,391 S	2/1969	Bruno	5,924,789 A	7/1999	Thornton
3,433,941 A	3/1969	Hall	5,932,955 A	8/1999	Berger et al.
3,675,008 A	7/1972	Hill	5,938,317 A	8/1999	Thornton
3,684,883 A	8/1972	Entwistle	D415,304 S	10/1999	Brown
3,701,898 A	10/1972	McNamara	5,983,564 A	11/1999	Stragnola
3,755,667 A	8/1973	Price	5,987,697 A	11/1999	Song et al.
3,829,677 A	8/1974	DeLlano	5,999,943 A	12/1999	Nori
3,902,059 A	8/1975	McNamara	D418,626 S	1/2000	Herst
3,911,265 A	10/1975	Landrum	D419,248 S *	1/2000	Lyons
4,028,542 A	6/1977	McReynolds, Jr.	6,024,468 A	2/2000	Kassay
D245,016 S	7/1977	Barr	6,042,250 A	3/2000	Stragnola
4,037,096 A	7/1977	Brendgord	6,051,927 A	4/2000	Graser et al.
4,078,169 A	3/1978	Armstrong	6,053,624 A	4/2000	Cronk
4,175,360 A	11/1979	Mulvey	D425,237 S	5/2000	Scott
4,229,782 A	10/1980	Ruud	D425,652 S	5/2000	Brok
D259,738 S	6/1981	Boschetti	D426,010 S	5/2000	Compton
4,308,473 A	12/1981	Carnes	6,061,690 A	5/2000	Nori
D262,659 S	1/1982	Laltta	6,065,849 A	5/2000	Chen
D266,578 S	10/1982	Moshier	6,070,173 A	5/2000	Huber
D268,287 S	3/1983	Boschetti	6,076,944 A	6/2000	Maranon
D270,577 S	9/1983	DeVos	6,079,851 A	6/2000	Altman
4,446,506 A	5/1984	Larson	D428,516 S	7/2000	Reo
4,531,180 A	7/1985	Hernandez	6,094,919 A	8/2000	Bhatia
4,616,293 A	10/1986	Baliozian	6,111,739 A	8/2000	Wu et al.
4,669,033 A	5/1987	Lee	6,152,579 A	11/2000	Reed et al.
D290,662 S	7/1987	Basil	D439,008 S	3/2001	Kim
D300,877 S	4/1989	Cyr	D440,289 S	4/2001	Olson et al.
4,855,884 A	8/1989	Richardson	6,210,025 B1	4/2001	Schmidt
4,893,221 A	1/1990	Friedman	6,230,497 B1	5/2001	Morris et al.
4,933,821 A	6/1990	Anderson	D443,198 S	6/2001	Snyder
4,939,629 A	7/1990	Glanton et al.	D443,949 S	6/2001	DiMonte
D311,597 S	10/1990	Poot	6,247,830 B1	6/2001	Winnett
4,970,428 A	11/1990	Hayakawa et al.	D445,943 S	7/2001	Littman
4,980,809 A	12/1990	Baldwin et al.	6,257,735 B1	7/2001	Baar
D316,301 S	4/1991	Michael	6,267,483 B1	7/2001	Hembery
5,006,752 A	4/1991	Eggink	D447,272 S	8/2001	Smith
5,065,294 A	11/1991	Poot, Jr.	6,279,012 B1	8/2001	Sexton
5,072,349 A	12/1991	Waniga	6,299,327 B1	10/2001	Camarota
D323,897 S	2/1992	Compton	D452,559 S	12/2001	Schonberger
5,088,015 A	2/1992	Baggio	6,343,984 B1	2/2002	Langdon et al.
D329,104 S	9/1992	Dieperink	6,371,630 B1	4/2002	Unger
D330,438 S	10/1992	Herst	D456,927 S	5/2002	Russello
5,192,129 A	3/1993	Figueroa	D456,928 S	5/2002	Russello
5,199,784 A	4/1993	Hempleman	D456,938 S	5/2002	Wardenburg
5,253,152 A	10/1993	Yang	D457,450 S	5/2002	Lamond et al.
			D459,825 S	7/2002	Field
			6,488,387 B2	12/2002	Wardenburg
			D469,564 S	1/2003	Brok
			6,527,422 B1	3/2003	Hutchison

(56)

References Cited

U.S. PATENT DOCUMENTS

6,548,948 B1	4/2003	Muessli	D634,060 S	3/2011	Wardenburg	
6,595,662 B2	7/2003	Wardenburg	D634,240 S *	3/2011	Junkeer	D11/155
6,601,972 B2	8/2003	Sei et al.	D634,468 S	3/2011	Hargreaves	
6,658,652 B1	12/2003	Alexander	D634,469 S	3/2011	Hargreaves	
6,679,619 B2	1/2004	Saieva	D637,162 S	5/2011	Bridgman	
D486,593 S	2/2004	Griffin	D637,341 S *	5/2011	Wardenburg	D26/118
6,688,759 B1	2/2004	Hadjimichael	D637,752 S	5/2011	Mekhtarian	
6,709,131 B1	3/2004	Herst	D640,404 S	6/2011	Chipperfield	
6,729,383 B1	5/2004	Cannell et al.	7,959,331 B2	6/2011	Ho	
6,783,263 B1	8/2004	Cronk	D641,100 S	7/2011	Li	
D496,121 S	9/2004	Santoro	7,972,044 B2	7/2011	Burkhauser	
D499,504 S	12/2004	Meyer	D644,185 S	8/2011	Hargreaves	
D499,505 S	12/2004	Benensohn	7,987,632 B2	8/2011	May et al.	
D504,343 S	4/2005	Ek	8,018,630 B2	9/2011	Herloski	
6,885,134 B2	4/2005	Kurashima et al.	8,038,318 B2	10/2011	Plunk	
6,908,212 B2	6/2005	Schultz	D648,652 S *	11/2011	Hawkins	D11/155
7,011,424 B1	3/2006	Poulson	D649,685 S	11/2011	Trzesniowski	
7,083,309 B2	8/2006	Chan	D650,515 S	12/2011	Bradley	
7,101,060 B2	9/2006	Oppenheimer	D650,935 S	12/2011	Beghelli	
7,131,753 B1	11/2006	Edwards, Jr.	8,113,696 B2	2/2012	Striebel	
7,156,539 B2	1/2007	Cronk	D655,403 S	3/2012	Zakula	
7,175,309 B2	2/2007	Craw et al.	D657,748 S	4/2012	Hargreaves	
D542,460 S	5/2007	Hargreaves	D660,252 S	5/2012	Hargreaves	
D543,652 S	5/2007	Hargreaves	D661,370 S	6/2012	Zock	
D543,654 S	5/2007	Hargreaves	D661,833 S	6/2012	Imajo	
D543,655 S	5/2007	Hargreaves	8,209,912 B2	7/2012	Hargreaves et al.	
7,213,948 B2	5/2007	Hein	8,215,799 B2	7/2012	Vanden Eynden	
D544,136 S	6/2007	Hargreaves	D667,584 S	9/2012	Beghelli	
D544,138 S	6/2007	Hargreaves	D668,370 S	10/2012	Guercio	
D544,139 S	6/2007	Hargreaves	D671,259 S	11/2012	Chen	
D544,626 S	6/2007	Hargreaves	D672,908 S	12/2012	Wilcox	
D544,980 S	6/2007	Hargreaves	D672,911 S	12/2012	Mayfield, III	
D544,981 S	6/2007	Hargreaves	D673,324 S	12/2012	Mayfield	
D544,982 S	6/2007	Hargreaves	8,334,640 B2	12/2012	Reed et al.	
D544,983 S	6/2007	Hargreaves	D675,369 S	1/2013	Michaud	
D544,984 S	6/2007	Hargreaves	8,348,481 B2	1/2013	Chang	
D544,985 S	6/2007	Hargreaves	D675,772 S	2/2013	Tran	
D544,987 S	6/2007	Hargreaves	8,371,726 B2	2/2013	Collins et al.	
D544,994 S	6/2007	Hargreaves	D678,597 S	3/2013	Lehman	
D544,995 S	6/2007	Hargreaves	D678,599 S	3/2013	Boyer et al.	
D545,460 S	6/2007	Mason, II	D679,848 S	4/2013	Pickard	
D545,484 S	6/2007	Hargreaves	D683,064 S	5/2013	Tuck	
D545,485 S	6/2007	Hargreaves	8,505,224 B2	8/2013	Huang	
D545,990 S	7/2007	Hargreaves	D689,238 S	9/2013	Halsey	
D545,994 S	7/2007	Hargreaves	D689,986 S	9/2013	Lord	
D545,996 S	7/2007	Hargreaves	D690,875 S	10/2013	McKenzie	
D549,869 S	8/2007	Ward	D693,959 S	11/2013	Boyer	
7,296,914 B1	11/2007	Russello	D697,663 S	1/2014	Speier	
7,360,927 B2	4/2008	Oka	D698,074 S	1/2014	Hargreaves	
D569,024 S	5/2008	Redfern	D698,075 S	1/2014	Klus	
D572,858 S	7/2008	Santoro	D698,986 S	2/2014	Reynolds	
7,445,363 B2	11/2008	Vanden Eynden	D698,987 S	2/2014	Stanley	
7,524,090 B2	4/2009	Hargreaves	D699,386 S	2/2014	Park	
7,534,011 B2	5/2009	Townsley	D702,827 S	4/2014	Mase	
D595,894 S	7/2009	Verfuert	8,702,283 B2	4/2014	Bradley	
D602,625 S	10/2009	Santoro	D705,474 S	5/2014	Philips	
D603,087 S	10/2009	Mo et al.	D705,974 S	5/2014	Blessitt	
7,617,057 B2	11/2009	May et al.	8,723,086 B2	5/2014	McMahan	
D605,342 S	12/2009	Chung	D707,385 S	6/2014	Wardenburg	
D608,490 S	1/2010	Chung	D708,390 S	7/2014	Roos	
7,641,367 B2	1/2010	Hargreaves et al.	D710,528 S *	8/2014	Wardenburg	D26/75
7,654,702 B1	2/2010	Ding	8,801,235 B2	8/2014	Yurich	
D613,900 S	4/2010	Hargreaves	D713,953 S	9/2014	Jepson	
D614,801 S	4/2010	Collins et al.	D714,988 S	10/2014	Park	
7,722,228 B2	5/2010	Broer	D715,994 S	10/2014	Klus	
D617,028 S *	6/2010	Verfuert	D716,995 S	11/2014	Zhu	
D620,190 S	7/2010	Chung	D717,487 S	11/2014	Guzzini	
D621,993 S	8/2010	Jong	D717,636 S	11/2014	Stanley	
7,771,086 B2	8/2010	Goverde	D720,488 S	12/2014	Toyohisa	
D628,335 S	11/2010	Hyland	D720,505 S	12/2014	Kersten	
7,854,534 B2 *	12/2010	Liu	8,905,575 B2	12/2014	Durkee	
			D720,876 S	1/2015	Haverfield	
			D721,844 S	1/2015	Lay	
			D722,654 S	2/2015	Martone	
			D725,819 S	3/2015	Reynolds	
			D725,820 S	3/2015	Hargreaves	
D632,419 S	2/2011	Ng	8,967,821 B2	3/2015	Pickard	
D633,247 S	2/2011	Kong	D726,359 S	4/2015	Grigore	
D633,640 S	3/2011	Wauters	8,998,473 B1	4/2015	Anderson	

D26/75

F21V 15/01
362/294

(56)

References Cited

U.S. PATENT DOCUMENTS

9,016,892 B1 4/2015 Scribante
 9,016,907 B2 4/2015 Stanley
 D728,848 S 5/2015 Reyes
 D729,435 S 5/2015 Arndt
 D730,556 S 5/2015 Toyohisa
 D731,103 S 6/2015 Wilke
 D731,109 S 6/2015 Wardenburg
 D731,701 S 6/2015 Hargreaves
 D732,233 S 6/2015 Reynolds
 D732,234 S 6/2015 Rashidi Doust
 D732,235 S 6/2015 Reynolds
 D732,236 S 6/2015 Reynolds
 D733,347 S 6/2015 Dungan
 D733,952 S 7/2015 Lay
 D733,960 S 7/2015 Howe
 D734,534 S 7/2015 Howe
 D735,391 S 7/2015 Blessitt
 D735,401 S 7/2015 Clements
 D736,450 S 8/2015 Reynolds
 D737,498 S 8/2015 Stanley
 9,110,209 B2 8/2015 Blessitt
 D738,031 S 9/2015 Martins
 D739,595 S 9/2015 Reynolds
 9,127,826 B2 9/2015 Boyer
 D740,486 S 10/2015 Stanley
 D740,996 S 10/2015 Tragatschnig
 D745,993 S 12/2015 Reynolds
 D747,029 S 1/2016 Reynolds
 D747,538 S 1/2016 Hargreaves
 D747,825 S 1/2016 Reynolds
 D747,849 S 1/2016 Ingram
 D747,923 S 1/2016 Cornu
 D748,319 S 1/2016 Johnson
 D748,320 S 1/2016 Johnson
 D748,847 S 2/2016 Johnson
 D748,849 S 2/2016 Stanley
 D748,850 S 2/2016 Johnson
 D749,773 S 2/2016 Waible
 D750,312 S 2/2016 Reynolds
 D750,313 S 2/2016 Reynolds
 D750,316 S 2/2016 Reynolds
 9,255,690 B2 2/2016 Dimitriadis
 D750,831 S 3/2016 Clements
 D751,244 S 3/2016 Reynolds
 D751,245 S 3/2016 Stanley
 D751,247 S 3/2016 Reynolds
 D753,654 S 4/2016 Eastwood
 9,310,037 B2 4/2016 Cercone
 D756,016 S 5/2016 Hargreaves
 D756,023 S 5/2016 Hoffer
 D756,026 S 5/2016 Reynolds
 D757,323 S 5/2016 Reynolds
 D757,326 S 5/2016 Reynolds
 D757,346 S 5/2016 Stanley
 9,335,038 B2 5/2016 Stanley
 9,366,947 B2 6/2016 Miyata
 D762,320 S 7/2016 Reynolds
 D765,306 S 8/2016 Wardenburg
 D766,756 S 9/2016 Franc
 D769,513 S 10/2016 Reynolds
 D769,514 S 10/2016 Reynolds
 D770,079 S 10/2016 Stanley
 D770,082 S 10/2016 Reynolds
 D770,670 S 11/2016 Reynolds
 D770,671 S 11/2016 Reynolds
 D771,301 S 11/2016 Stanley
 D771,304 S 11/2016 Goltche
 D773,107 S 11/2016 Stanley
 D775,406 S 12/2016 Hargreaves
 D775,760 S 1/2017 Reynolds
 D780,985 S 3/2017 Stanley
 D780,986 S 3/2017 Reynolds
 D781,492 S 3/2017 Reynolds
 D783,887 S 4/2017 Stanley
 D786,488 S 5/2017 Reynolds

D786,489 S 5/2017 Stanley
 D786,490 S 5/2017 Stanley
 2002/0073285 A1 6/2002 Butterworth
 2002/0141195 A1 10/2002 Peter
 2003/0031011 A1 2/2003 Miller
 2003/0191783 A1 10/2003 Wolczko
 2004/0240214 A1 12/2004 Whitlow
 2005/0117333 A1 6/2005 Yoshida
 2005/0160481 A1 7/2005 Todd
 2005/0233691 A1 10/2005 Horton
 2006/0231081 A1 10/2006 Kirakosyan
 2006/0232984 A1 10/2006 Schuknecht
 2006/0282457 A1 12/2006 Williams
 2007/0051321 A1 3/2007 Chang
 2007/0070633 A1 3/2007 Eynden
 2007/0228993 A1 10/2007 Stuer et al.
 2007/0246631 A1 10/2007 Brown
 2007/0282806 A1 12/2007 Hoffman
 2008/0059799 A1 3/2008 Scarlata
 2008/0117617 A1 5/2008 Hargreaves et al.
 2008/0130304 A1 6/2008 Rash et al.
 2008/0178957 A1 7/2008 Thomas
 2008/0205030 A1 8/2008 Hargreaves
 2008/0205071 A1 8/2008 Townsley
 2008/0212326 A1 9/2008 Chon
 2008/0278950 A1 11/2008 Pickard et al.
 2009/0166250 A1 7/2009 Subramanian
 2009/0231840 A1 9/2009 Boehme et al.
 2009/0262540 A1 10/2009 Hargreaves et al.
 2009/0276478 A1 11/2009 Soman
 2009/0310373 A1 12/2009 Burkhauser
 2009/0316404 A1 12/2009 Mo
 2009/0323335 A1 12/2009 Yang
 2010/0214789 A1 8/2010 Hawkes
 2010/0238661 A1 9/2010 Pfund
 2010/0277908 A1 11/2010 Hu
 2010/0277929 A1 11/2010 Hargreaves
 2010/0295468 A1 11/2010 Pedersen et al.
 2010/0302768 A1 12/2010 Collins et al.
 2011/0169412 A1 7/2011 Yurich
 2011/0203096 A1 8/2011 Hargreaves
 2011/0259665 A1 10/2011 Morgan
 2012/0051041 A1 3/2012 Edmond et al.
 2012/0092859 A1 4/2012 Gregoris
 2012/0145699 A1 6/2012 McMahan
 2012/0212883 A1 8/2012 Hargreaves
 2012/0230035 A1 9/2012 Bradley, Jr. et al.
 2012/0302768 A1 11/2012 Janka et al.
 2013/0077329 A1 3/2013 Hessling et al.
 2013/0083539 A1 4/2013 Dimitriadis
 2013/0155685 A1 6/2013 Stanley
 2013/0242573 A1 9/2013 Petrsoiki
 2013/0250567 A1 9/2013 Edmond
 2014/0378283 A1 12/2014 Qiu
 2015/0023022 A1 1/2015 Stanley
 2015/0098215 A1 4/2015 Torabifard
 2015/0252992 A1 9/2015 Stanley
 2015/0252993 A1 9/2015 Stanley
 2015/0252994 A1 9/2015 Stanley
 2015/0260381 A1 9/2015 Verfuert et al.

FOREIGN PATENT DOCUMENTS

CA 1314529 3/1993
 CA 1314529 C 3/1993
 EP 0325003 7/1989
 EP 0325003 A1 7/1989
 EP 0440274 8/1991
 EP 0440274 A1 8/1991
 EP 2550482 1/2013
 WO 02063210 8/2002
 WO 02063210 A2 8/2002
 WO 2002063210 A2 8/2002
 WO 03060379 7/2003
 WO 2008018000 2/2008
 WO 2008018000 A1 2/2008
 WO 2009096775 8/2009

(56)

References Cited

FOREIGN PATENT DOCUMENTS

WO	2009096775	A2	8/2009
WO	2011119451	A1	9/2011
WO	2015009333		1/2015

OTHER PUBLICATIONS

Air Resistance: Distinguishing Between Laminar and Turbulent Flow, www.docstoc.com, Dec. 29, 2010, p. 1-6.

Sun Systems LEC 630 Light Emitting Ceramic Fixture, Spec Sheet for 906217—Sun System LEC 630 120 Volt w/3100 K Lamps, www.sunlightsupply.com/shop/bycategory/led-lighting/sun-system-lec-630-light-emitting-ceramic-fixture, online, updated Feb. 9, 2015. Site visited Mar. 30, 2015, p. 1.

Mohri, Mineko, International Preliminary Report on Patentability for PCT/US2014/014959, Jan. 19, 2016.

A3V Reflector, Titaness Light Shop, www.titanesslightshop.com/products-page/reflectors/a3v-reflector, online. Site visited Jan. 14, 2015.

G2V Grow Light Reflector, Titaness Light Shop, www.titanesslightshop.com/products-page/reflectors/g2v-grow-light-reflector, online. Site visited Jan. 14, 2015.

Sun System 630 Ceramic Metal Halide 120v Specifications, GrowersHouse.com, update on Sep. 9, 2014, Online. Site visited Feb. 3, 2015. http://growershouse.com/aitdownloadablefiles/download/aitfile/aitfile_id/583/.

Apollo Horticulture GLRCTAC 6" Air Cool Tube Grow Light Deluxe Glass Cylinder with Hood Reflector, image post date Oct. 15, 2010, site visited Oct. 3, 2014, (online), http://www.amazon.com/apollo-horticulture-glrectac-cylinder-reflector/dp/b003qkvv04/ref=pd_sbs_lg_5?ie=utf8&refrid=1y9v9qhh4n5vncjmftr.

Apollo Horticulture GLRLS24 6" Air Cooled Hydroponic Grow Light Glass Reflector Hood, image post date Oct. 15, 2010, site visited Oct. 3, 2014, (online), http://www.amazon.com/apollo-horticulture-glrls24-hydroponic-reflector/dp/B00BMVK8HG/ref=cm_cd_qh_dp_i.

Adjustable Reflector, image post date Apr. 23, 2012, site visited Sep. 23, 2015, http://web.archive.org/web/2012043260757/http://hydroponics-products.en.alibaba.com/product/519225678-213056444/adjustable_reflector_grow_light_hydroponics_greenhouse_horticulture_reflector_hood.html.

Agrotech Magnum Reflector, image post date Feb. 5, 2012, site visited Oct. 31, 2014, www.hydroponics.net/1136580.

Cree CR22, image post date Apr. 28, 2011, site visited Nov. 15, 2014, <http://ledsmagazine.com/content/dam/leds/migrated/objects/news/8/4/19/cree204272011.jpg>.

ZR series High Efficacy Troffer, image post date Apr. 13, 2012, site visited Oct. 31, 2014, www.cree.com/lighting/products.

Grow Lights Home Depot: Find many types of grow lights for your plant, published Dec. 22, 2012, online. Site visited Mar. 25, 2014. [Http://besthomedecorfurniture.com/gardening-decor/grow-lights-home-depot-few-things-to-consider-when-buying-grow-lighting-plants-online.html](http://besthomedecorfurniture.com/gardening-decor/grow-lights-home-depot-few-things-to-consider-when-buying-grow-lighting-plants-online.html).

LED Grow Light Comparison Test Review, Youtube.com, published Jun. 29, 2012, online. Site visited Jun. 25, 2014. www.youtube.com/watch?v=f-8oy0qbgrrs.

Illuminator Pro-Series Hybrid 350W, wordpress.com, published Dec. 22, 2010, online, site visited Jun. 25, 2014. <http://growsetup.wordpress.com/category/grow-lights/>.

California Lightworks New SolarStorm 440W LED Grow Light with UVB, hydrobuilder.com, online. Site visited Jun. 25, 2014. http://hydrobuilder.com/solarstorm-440w-led-grow-light-with-uvb.html?dzid=strands_CLW-SS-440.

2013 Sunlight Supply Cataog, Issuuu.com, published Aug. 1, 2013, online. Site visited Feb. 2, 2015. http://issuu.com/sunlightsupply/docs/2013_sunlightproductcatalog/49.

Pp. 29 and 54 from 2014-2015 dealer catalog showing and describing Super Sun DE reflector published by Sunlight Supply, Inc. 2014.

Dominator XXXL Non AC Reflector pack of 3 Spec Sheet, GreenTreesHydroponics.com, date available Mar. 12, 2014, online. Site visited Feb. 3, 2015, <https://www.hydroponics.net/i/141477>.

Low Rider Air-Cooled Reflector—TinEye, image post date Oct. 11, 2012, site visited Oct. 1, 2015, www.tineye.com/search/1b0e187c5ed9e4e9cfb55d0472271385a2c0e88/?pluginver.

OG Air Cooled Parabolic Reflector Only—Make the Most of Your Grow Light, GroWell Hydroponics, <http://www.growell.co.uk/og-air-cooled-parabolic-reflector-only.html>, pp. 1-2, accessed Aug. 26, 2014.

1000 Watt Galaxy Grow Amp Double Ended Grow Light Packages, image post date Jan. 30, 2014, site visited Jul. 8, 2016, <http://www.ehydroponics.com/100-watt-galaxy-grow-amp-double-ended-grow-light-package.html>.

2009-10-watt-light-set—TinEye, image post date May 23, 2012, site visited Jul. 8, 2016, <https://www.tineye.com/search/2de39cf51f7a031139a80ce555e2f30d0abd5216/>.

Square 10 Watt LED Grow Light, image post date Aug. 1, 2011, site visited Jul. 8, 2016, <http://www.dhgate.com/store/product/hydroponic-vegetable-10-watt-led-grow-light/216755031.html>.

Sun System 630 Ceramic Metal Halide 120v Specifications, GrowersHouse.com, update on Sep. 9, 2014, Online. Site visited Feb. 3, 2015. http://growershouse.com/aitdownloadablefiles/download/aitfile/aitfile_id/583/.

Growlite HDE 600W-1000W Double Ended Lamp Concealed Vacuum Airflow Technology, Indoor Grow Science, site visited Aug. 3, 2016, <http://www.indoorgrowscience.net/downloads/specs/hde.pdf>.

Sun Systems LEC 315—Reviews?, rollitup.com forum, published Oct. 23, 2013, online. Visited Nov. 8, 2016. <http://rollitup.org/t/sun-systems-lec-315-reviews.742794>.

Sun System LEC 315 120v Light Emitting Ceramic Metal Halide Fixture w/ Free Ratchet Light Hangers, Amazon.com, earliest review of Jul. 2, 2014, online. Visited Nov. 8, 2016 <https://www.amazon.com/sun-system-emitting-ceramic-fixture/dp/B00HBCV8TM>.

LEC 315 Watt Grow Light Great Yield Reports!, YouTube.com, published Mar. 31, 2014, online. Visited Nov. 8, 2016. <https://www.youtube.com/watch?v=QqcoW19KnUk>.

Air Cooled Grow Lights, greensteamhydroponics.com, published May 24, 2014, online. Site visited Nov. 16, 2016. http://web.archive.org/web/20140524103407/http://www.greensteamhydroponics.com/aircooled-reflector-range-from-greenstream-hydroponics/prod_699.html.

Pp. 30, 91 and 99 from 2013 Dealer Catalog showing and describing Sun System Digital light fixture, published by Sunlight Supply, Inc. 2013.

* cited by examiner

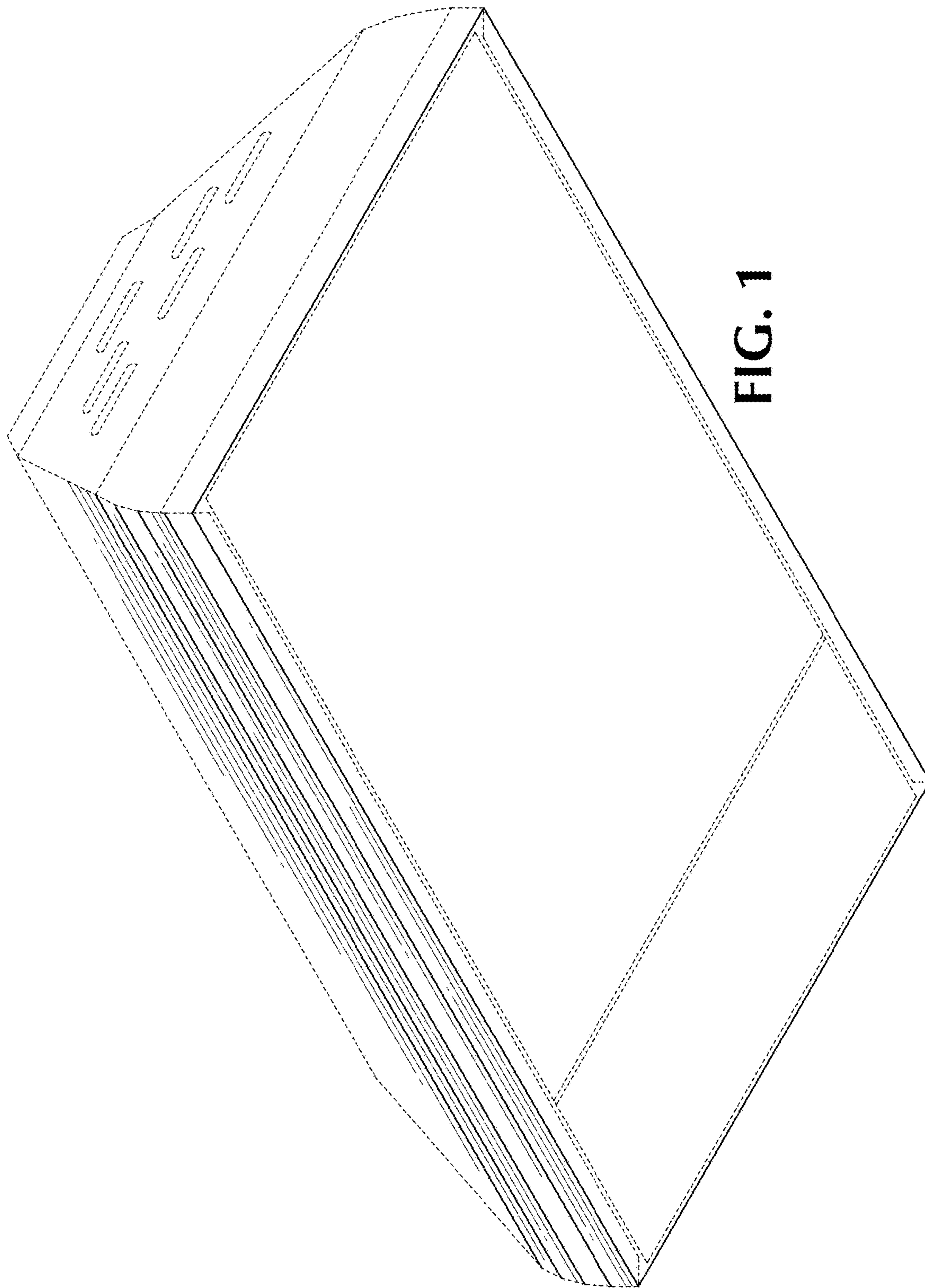


FIG. 1

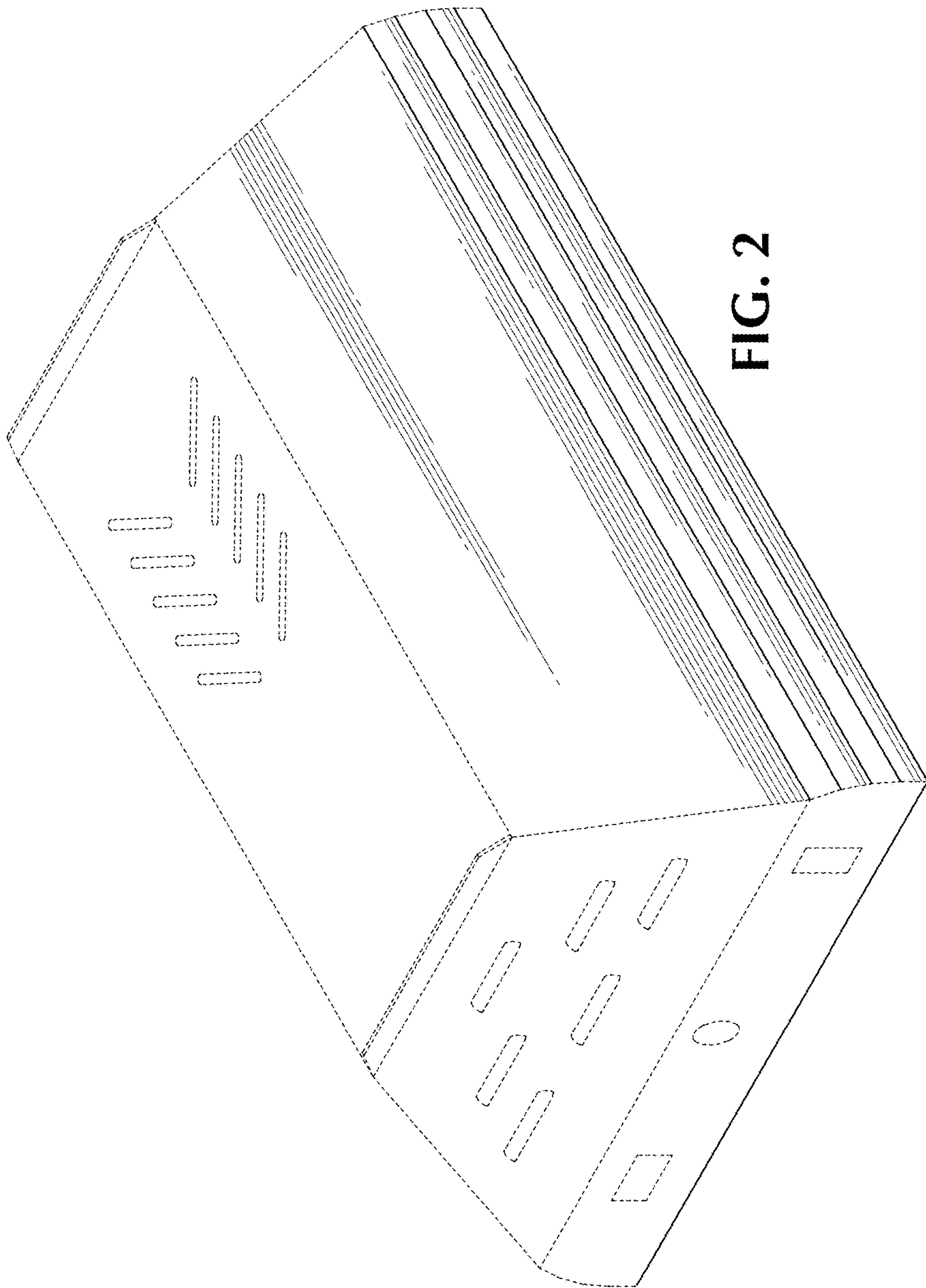


FIG. 2

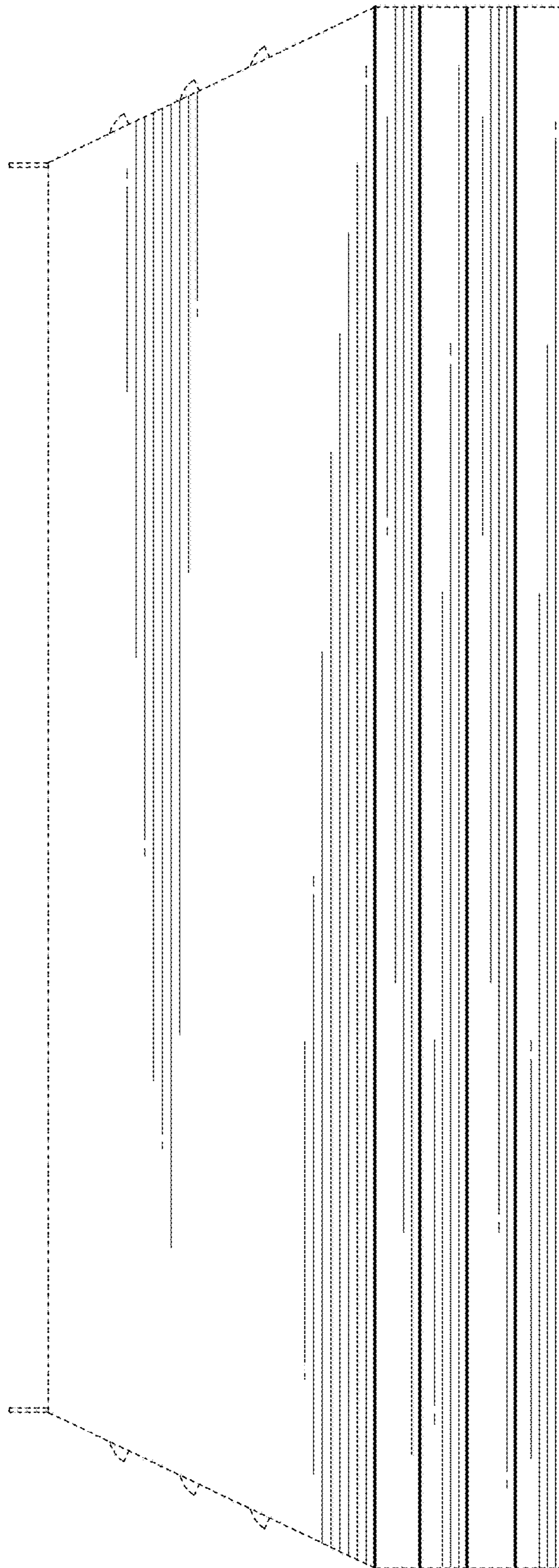


FIG. 3



FIG. 4

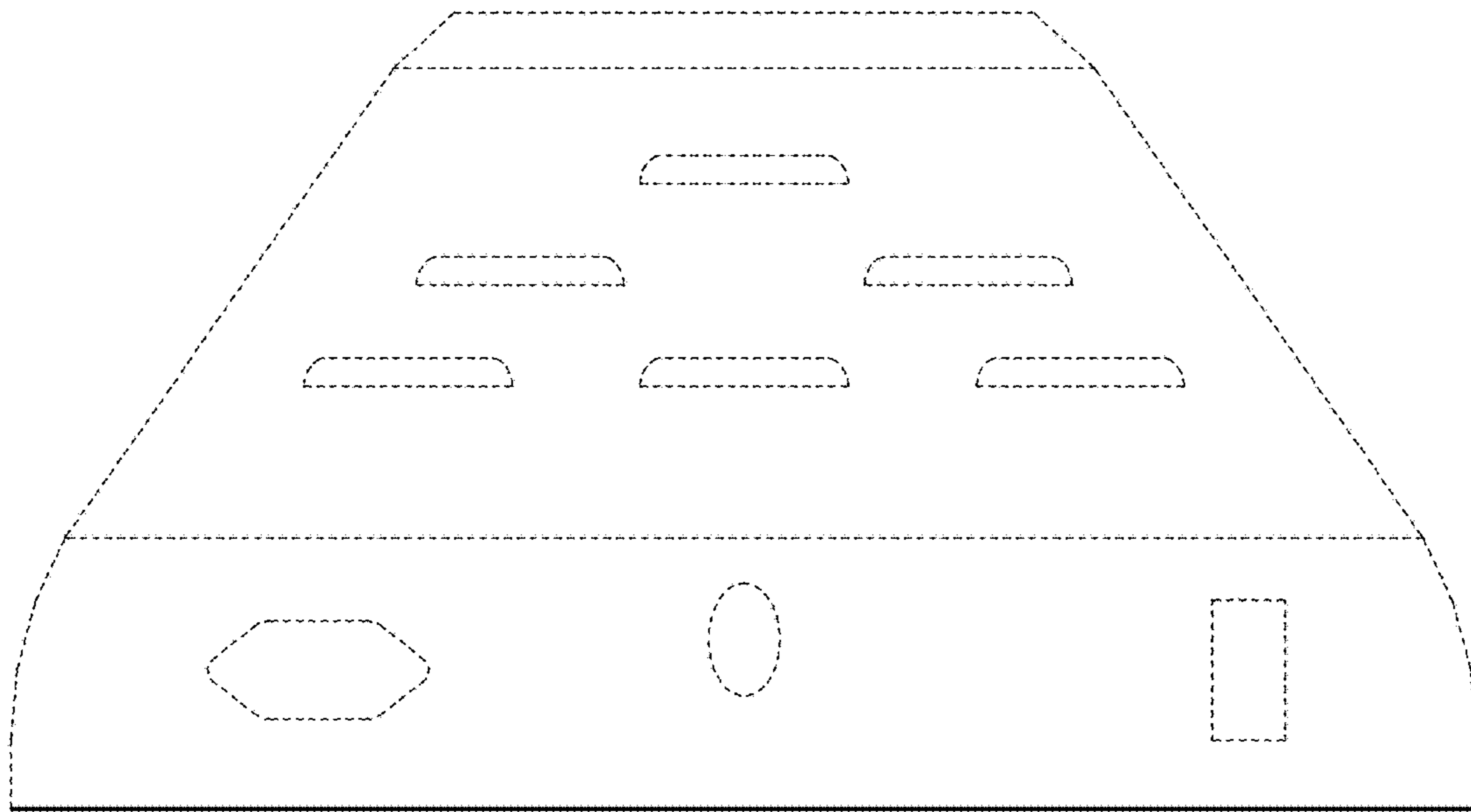


FIG. 5

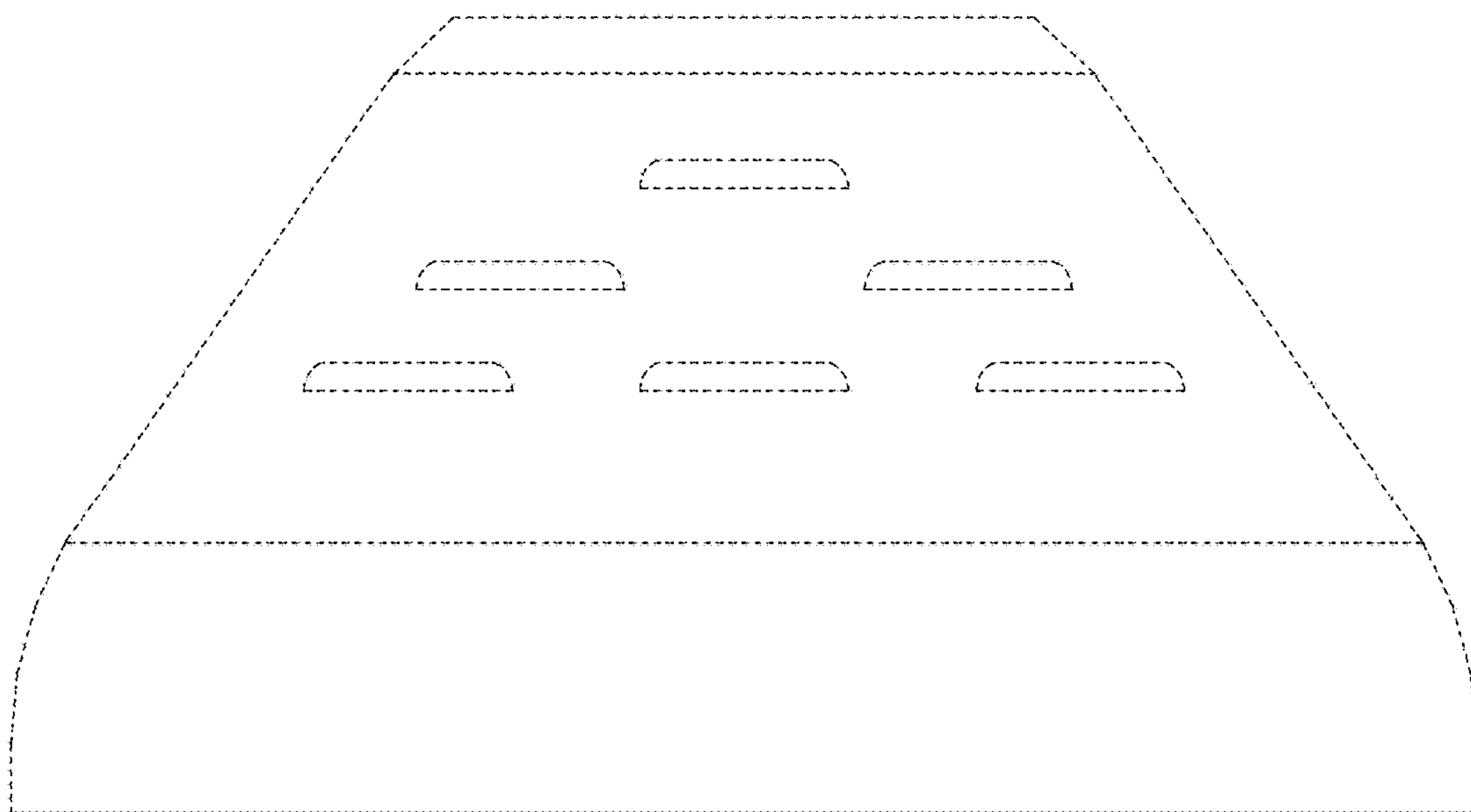


FIG. 6

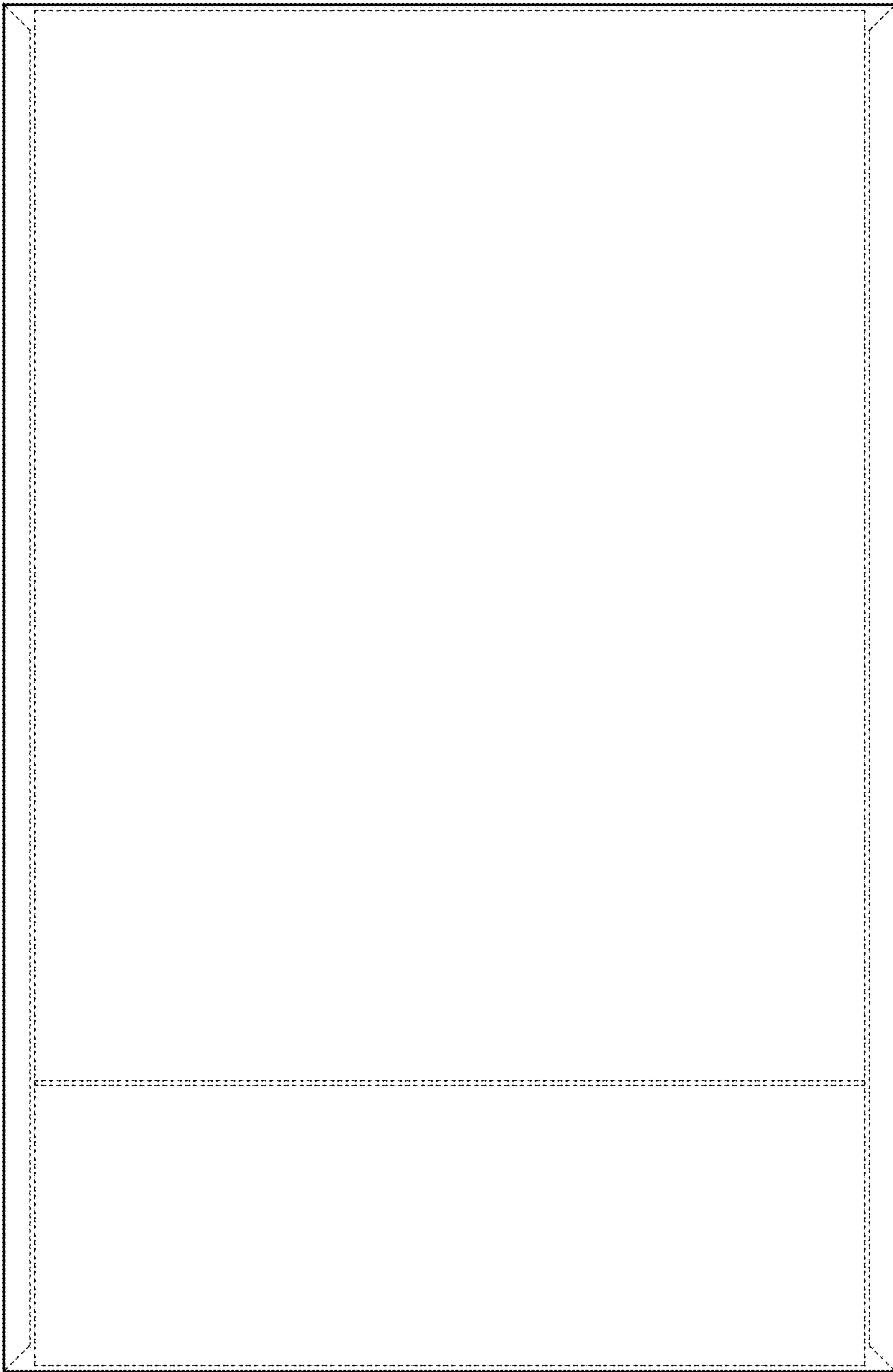


FIG. 7

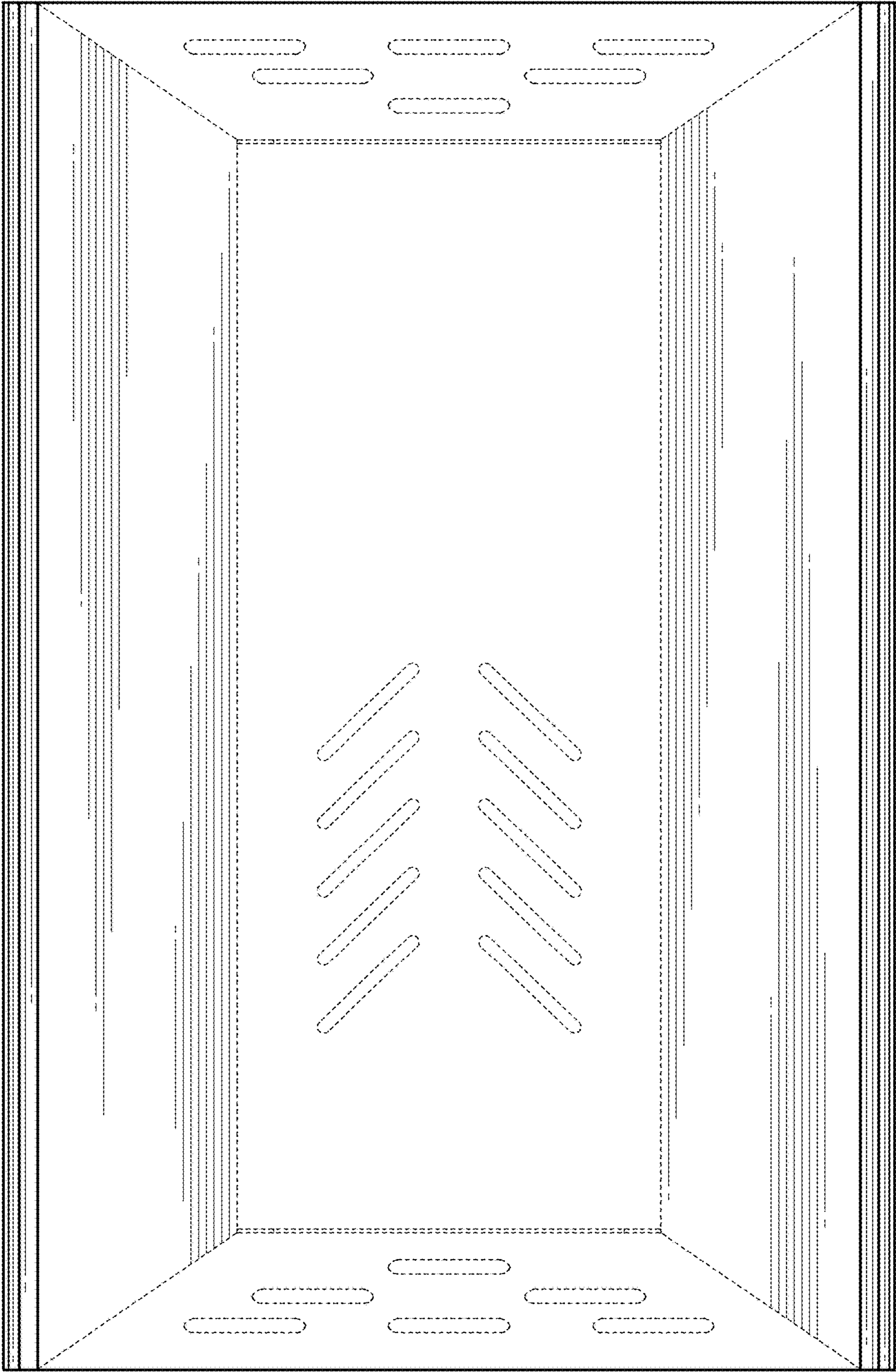


FIG. 8