



US00D796724S

(12) **United States Design Patent**  
**Sonneman**

(10) **Patent No.:** **US D796,724 S**

(45) **Date of Patent:** **\*\* Sep. 5, 2017**

(54) **LIGHT FIXTURE**

(71) Applicant: **Robert A. Sonneman**, Mamaroneck,  
NY (US)

(72) Inventor: **Robert A. Sonneman**, Mamaroneck,  
NY (US)

(\*\*) Term: **15 Years**

(21) Appl. No.: **29/601,784**

(22) Filed: **Apr. 26, 2017**

(51) **LOC (10) Cl.** ..... **26-03**

(52) **U.S. Cl.**  
USPC ..... **D26/85**

(58) **Field of Classification Search**  
USPC ..... D26/72, 85, 87, 89, 120  
CPC .... F21S 8/03; F21S 8/031; F21S 8/033; F21S  
8/035; F21S 8/036; F21S 8/037; F21V  
1/12; F21V 7/05

See application file for complete search history.

(56) **References Cited**

**U.S. PATENT DOCUMENTS**

1,249,500	A	*	12/1917	Richter	.....	F21S 8/033 362/147
D162,345	S	*	3/1951	Roney	.....	D23/366
D313,669	S	*	1/1991	Sonneman	.....	D26/109
D344,359	S	*	2/1994	Matos	.....	D26/85
D448,106	S	*	9/2001	Lin	.....	D26/87
D550,390	S	*	9/2007	Chandler	.....	D26/87
D568,525	S	*	5/2008	Chandler	.....	D26/85
D568,526	S	*	5/2008	Chandler	.....	D26/85
D626,276	S	*	10/2010	Sabernig	.....	D26/85
D629,954	S	*	12/2010	Compton	.....	D26/85

D629,955	S	*	12/2010	Compton	.....	D26/85
D783,879	S	*	4/2017	Dolan	.....	D26/85
2016/0230951	A1	*	8/2016	Lee	.....	G02F 1/133603

**OTHER PUBLICATIONS**

Curved Shield LED sconce # 7260 from sonnemanawayofflight.com, available as early as Oct. 20, 2016. ( 2 pages).\*

Curve wall sconce from Alico Lighting Guide Supplement vol. 1 C © 2008. ( 3 pages, includes front and rear covers of catalog).\*

\* cited by examiner

*Primary Examiner* — Clare E Heflin

(74) *Attorney, Agent, or Firm* — Gottlieb, Rackman & Reisman, P.C.

(57) **CLAIM**

The ornamental design for a light fixture, as shown and described.

**DESCRIPTION**

FIG. 1 is a perspective view of the light fixture showing my new design;

FIG. 2 is a front elevational view thereof;

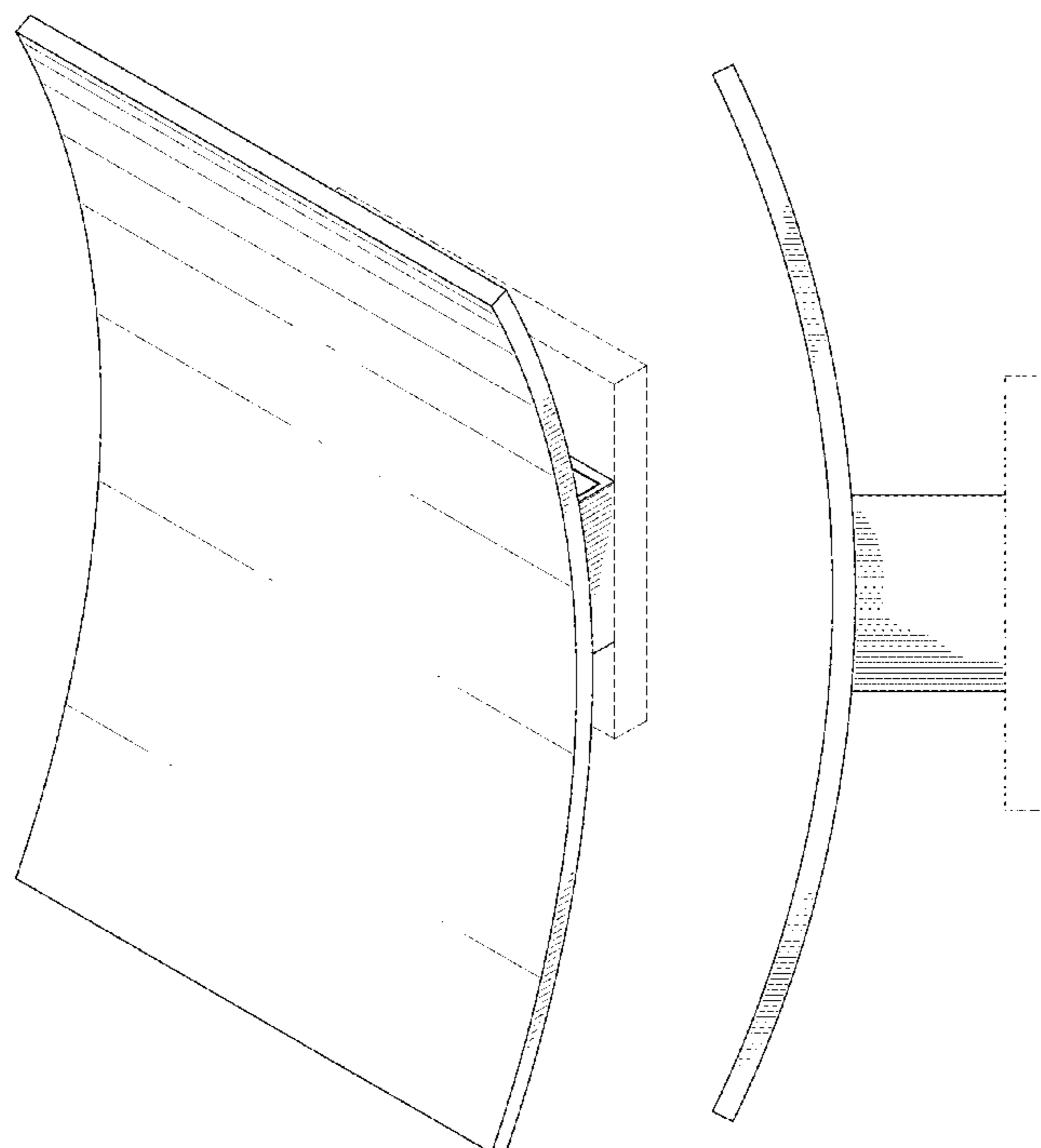
FIG. 3 is a rear elevational view thereof;

FIG. 4 is a right side elevational view thereof, the left side elevational view being a mirror image; and,

FIG. 5 is a top plan view thereof, the bottom plan view being a mirror image.

The broken lines shown in the drawings are included for the purpose of illustrating portions of the article that form no part of the claimed design.

**1 Claim, 5 Drawing Sheets**



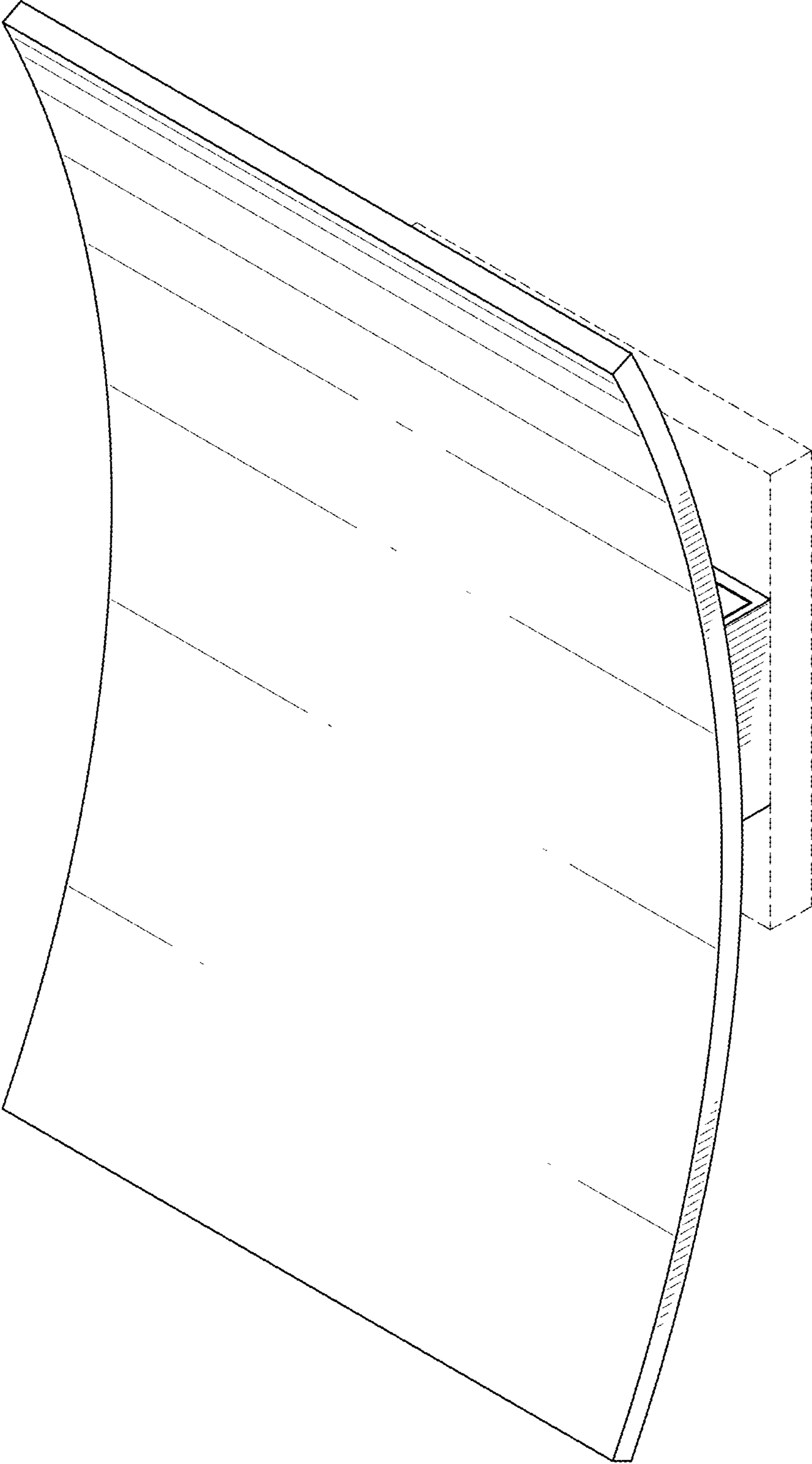


FIG. 1

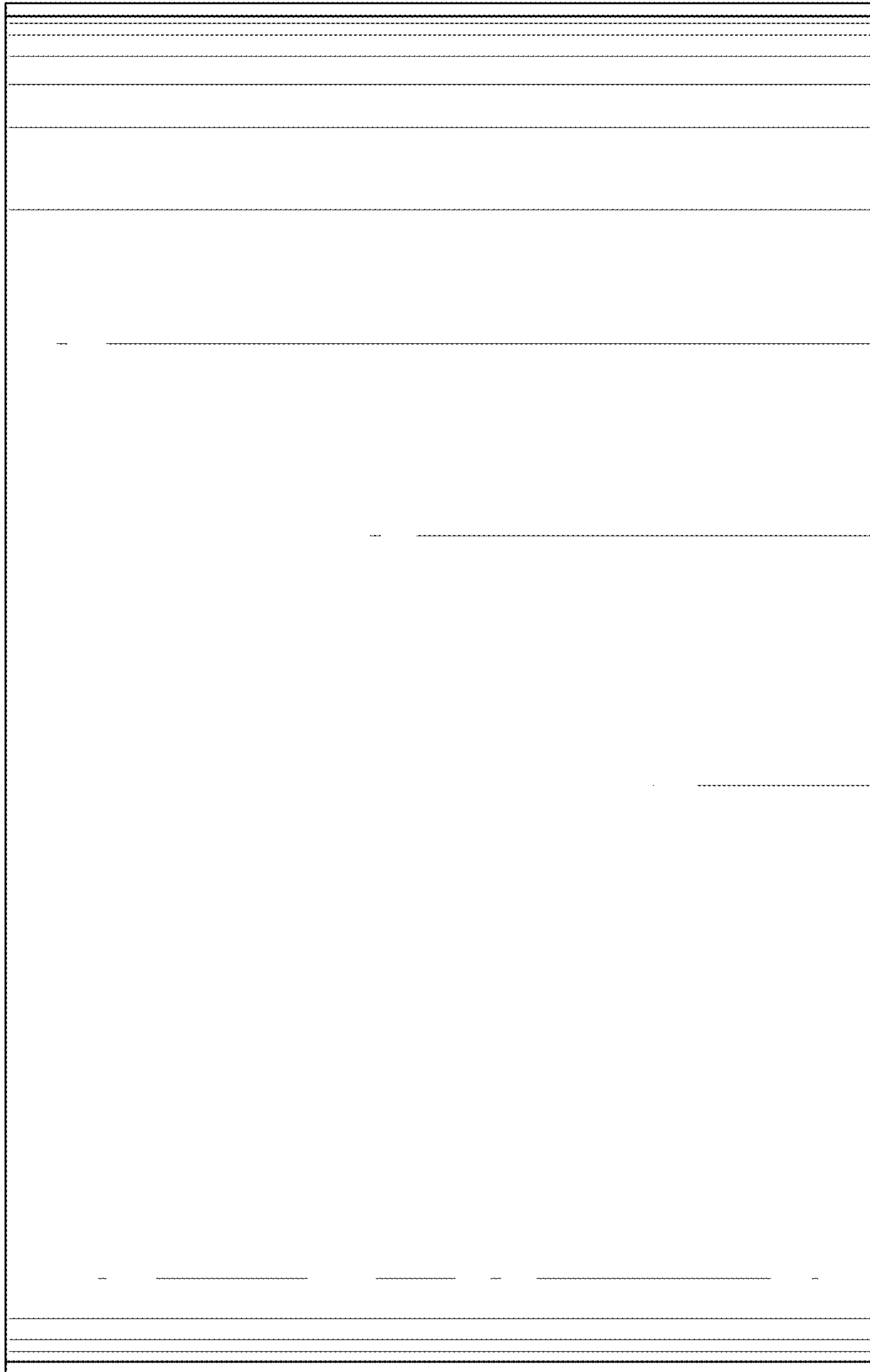


FIG. 2

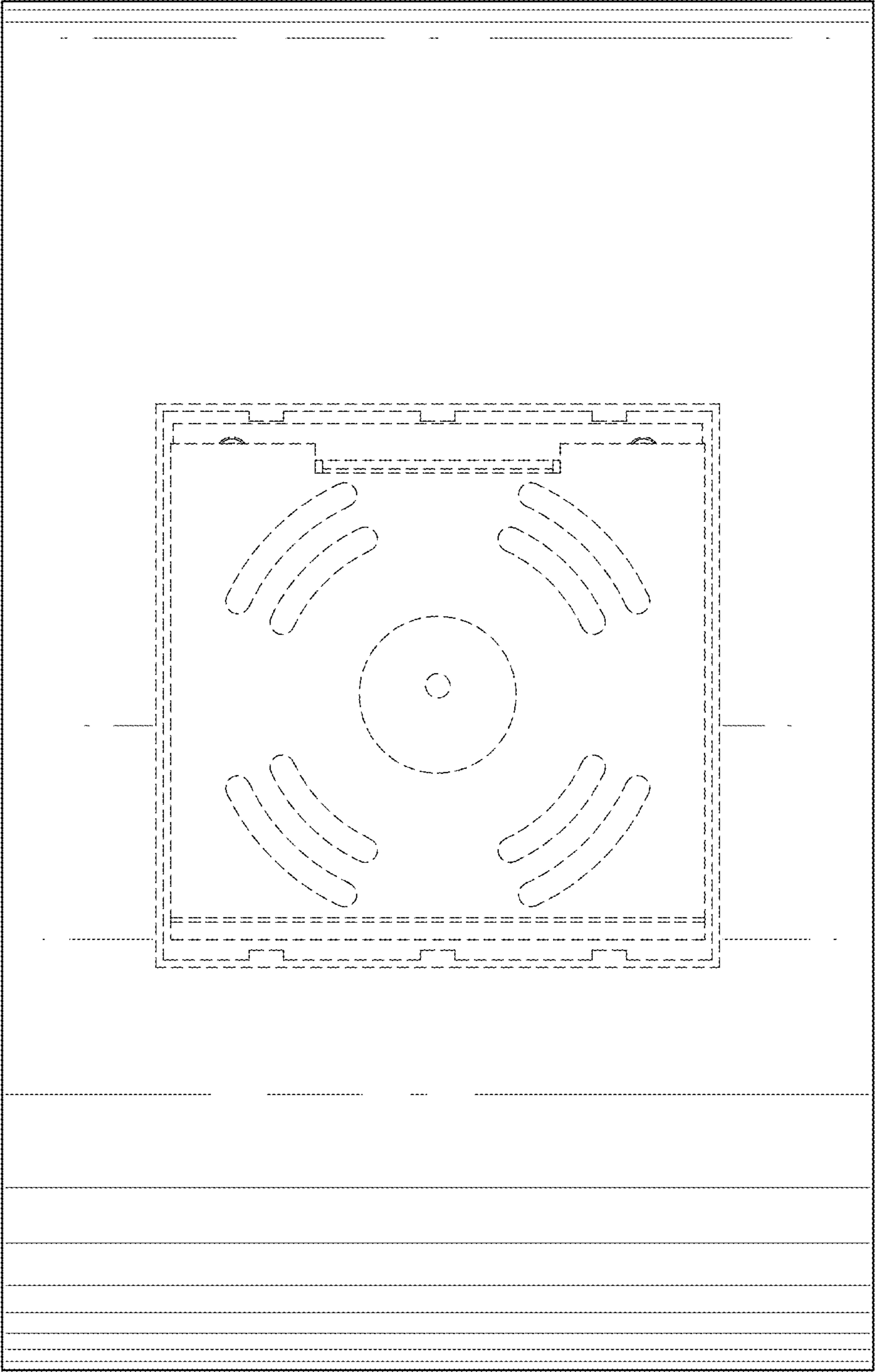


FIG. 3

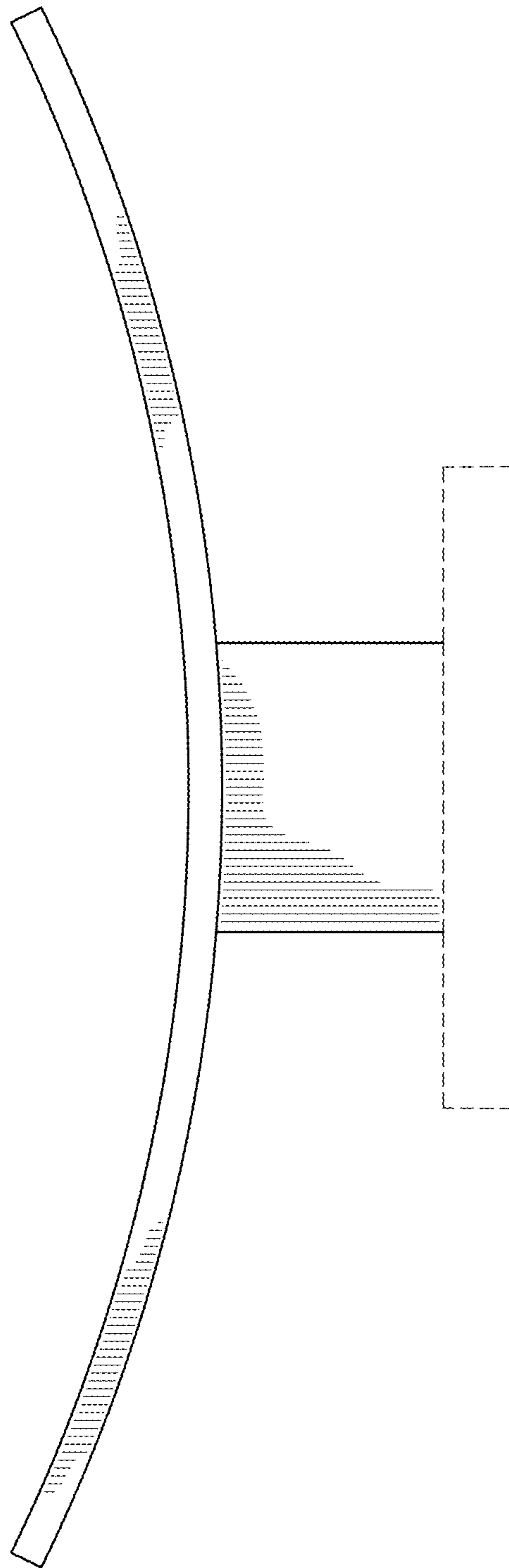


FIG. 4

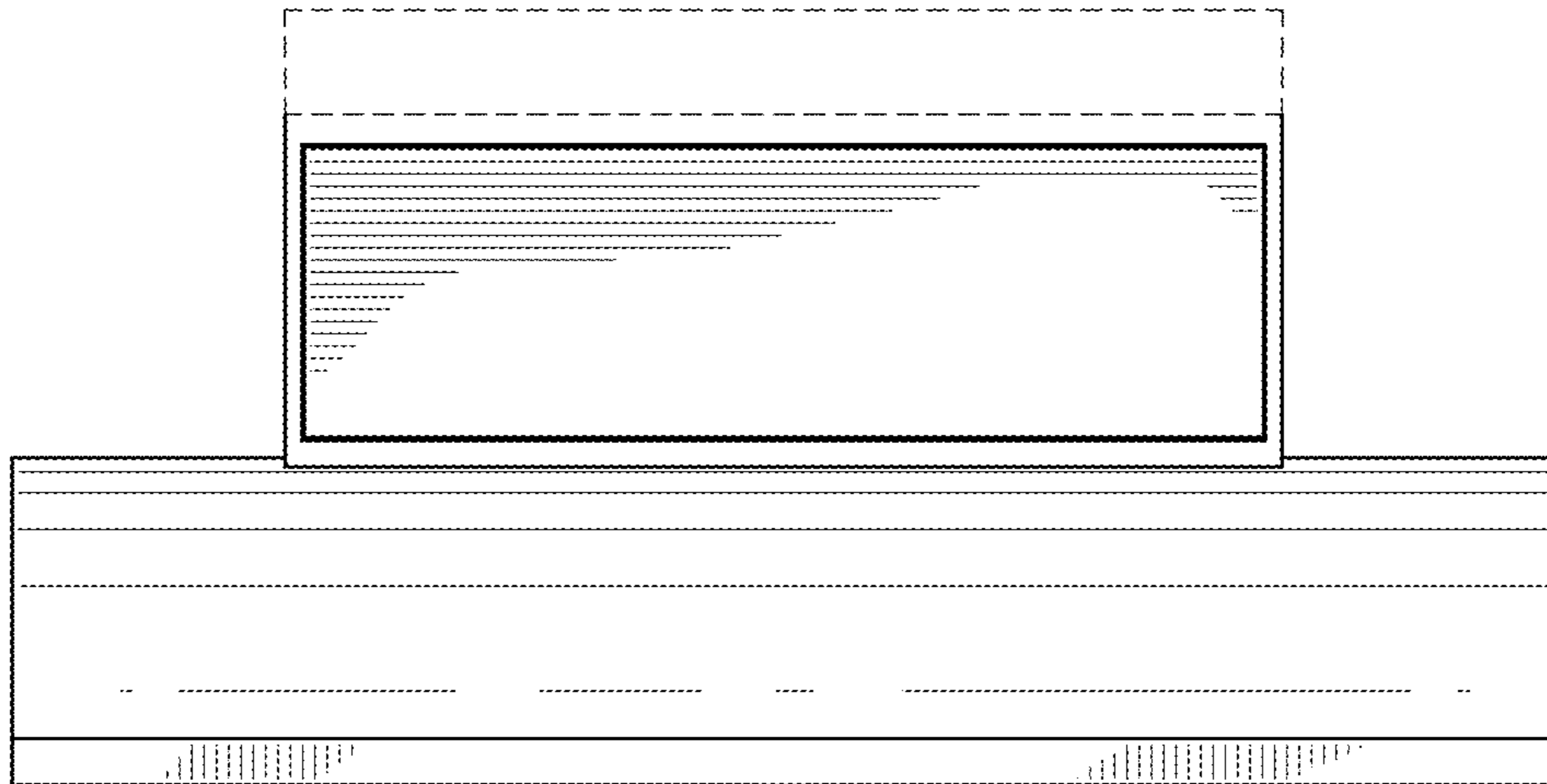


FIG. 5