



US00D796722S

(12) **United States Design Patent**
Zhu et al.

(10) **Patent No.:** **US D796,722 S**

(45) **Date of Patent:** **** Sep. 5, 2017**

(54) **MINING LAMP**

(71) Applicant: **Shenzhen Kinglumi (K&L) Photoelectric Technology Co., Ltd.**, Shenzhen (CN)

(72) Inventors: **Dongliang Zhu**, Shenzhen (CN); **Shuli Huang**, Shenzhen (CN); **Qiming Wang**, Shenzhen (CN); **Pengcheng Gui**, Shenzhen (CN)

(73) Assignee: **Shenzhen Kinglumi (K&L) Photoelectric Technology Co., Ltd.**, Shenzhen (CN)

(**) Term: **15 Years**

(21) Appl. No.: **29/564,031**

(22) Filed: **May 10, 2016**

(30) **Foreign Application Priority Data**

Apr. 13, 2016 (CN) 2016 3 0122246

(51) **LOC (10) Cl.** **26-05**

(52) **U.S. Cl.**
USPC **D26/72**

(58) **Field of Classification Search**
USPC D26/63, 70, 71, 72, 76, 80, 88, 89, 92, D26/118
CPC .. F21S 8/033; F21S 8/035; F21S 8/036; F21S 8/037; F21S 8/043; F21S 8/046; F21S 8/06; F21S 8/061; F21S 8/063; F21S 8/065; F21S 8/088; F21V 17/107; F21V 5/007; F21V 21/30

See application file for complete search history.

(56) **References Cited**

U.S. PATENT DOCUMENTS

3,018,366 A * 1/1962 O'Keefe F21V 13/00 362/396
D200,973 S * 4/1965 Izzi D26/63

D203,404 S * 1/1966 Husby et al. D26/63
D658,805 S * 5/2012 Orrom D26/118
D663,465 S * 7/2012 Couvreur D26/72
D690,453 S * 9/2013 Guercio D26/72
D702,867 S * 4/2014 Kim D26/72
D773,092 S * 11/2016 Koshiba D26/63
2004/0012957 A1 * 1/2004 Bachl F21V 5/007 362/241
2010/0259945 A1 * 10/2010 Chiu B60Q 1/245 362/428
2012/0287613 A1 * 11/2012 Hamel F21V 29/004 362/184

(Continued)

Primary Examiner — Clare E Heflin

(74) *Attorney, Agent, or Firm* — Hamre, Schumann, Mueller & Larson, P.C.

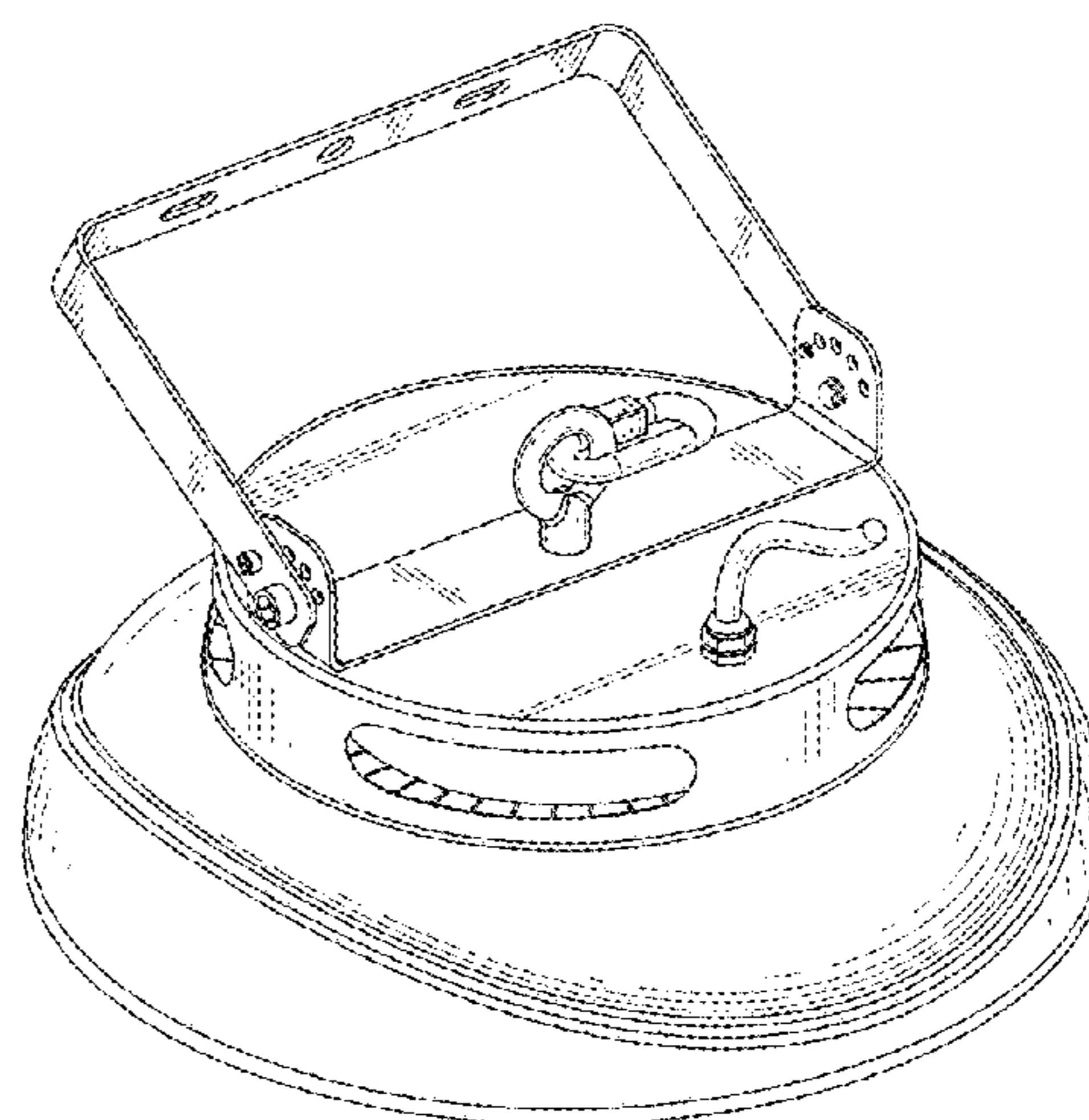
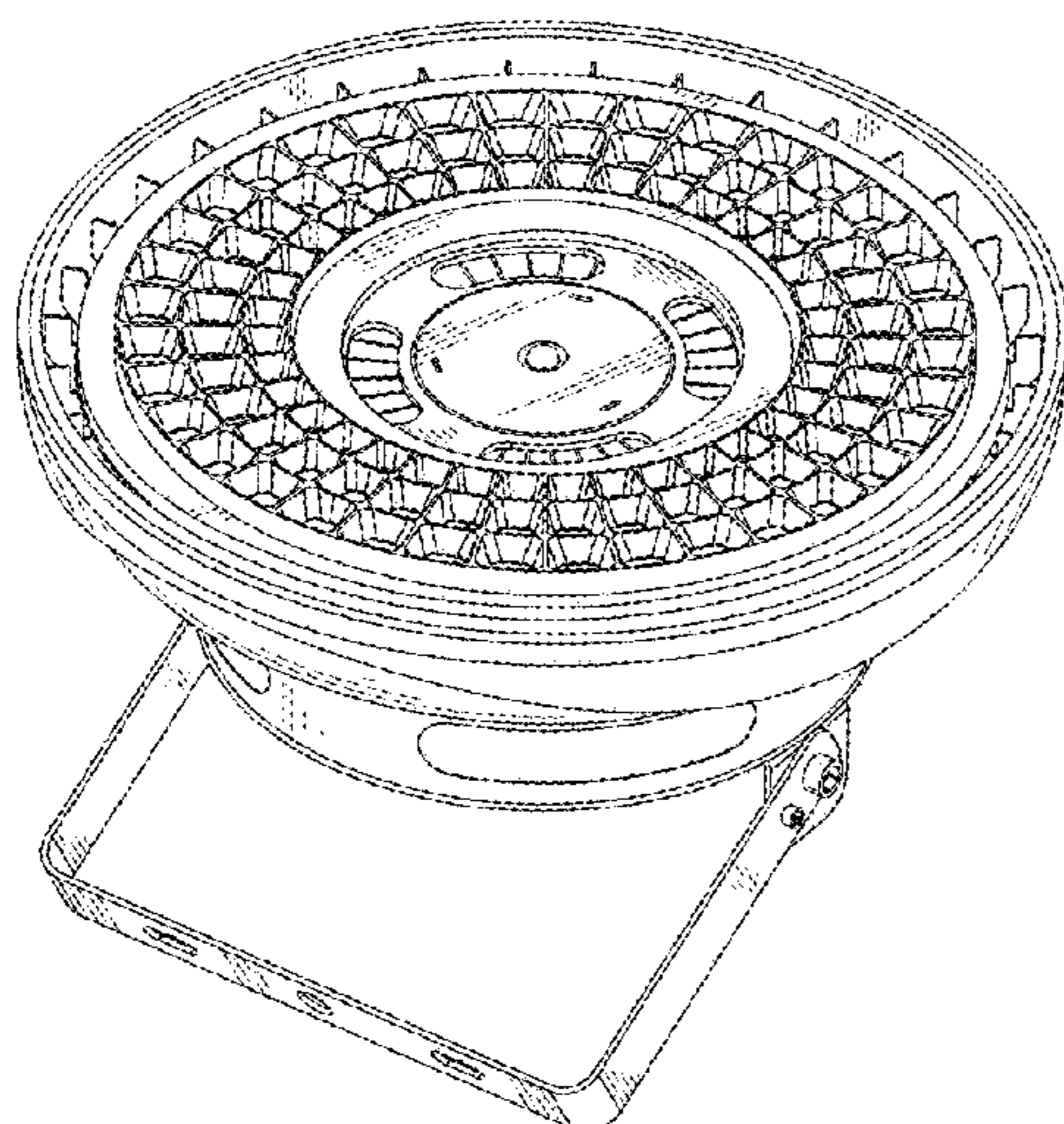
(57) **CLAIM**

The ornamental design for a “mining lamp,” as shown and described.

DESCRIPTION

FIG. 1 is a perspective view of the embodiment of the mining lamp;
FIG. 2 is another perspective view of the embodiment of the mining lamp;
FIG. 3 is a front view of the embodiment of the mining lamp;
FIG. 4 is a rear view of the embodiment of the mining lamp;
FIG. 5 is a left side view of the embodiment of the mining lamp;
FIG. 6 is a right side view of the embodiment of the mining lamp;
FIG. 7 is a top view of the embodiment of the mining lamp;
and,
FIG. 8 is a bottom view of the embodiment of the mining lamp.

1 Claim, 8 Drawing Sheets



(56)

References Cited

U.S. PATENT DOCUMENTS

2016/0123546 A1* 5/2016 Hu F21V 21/30
362/235
2016/0369995 A1* 12/2016 Jang F21V 29/673

* cited by examiner

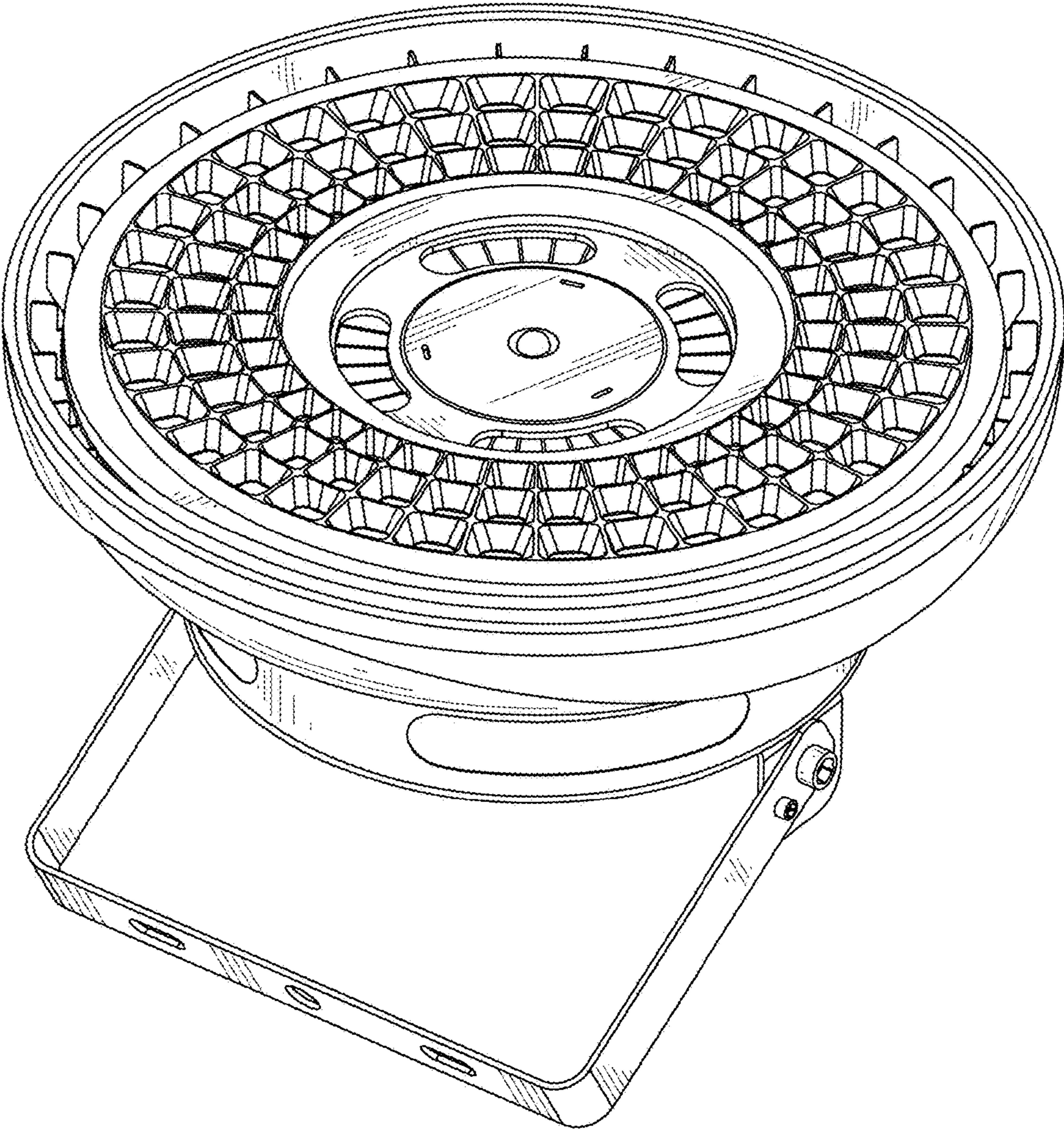


FIG. 1

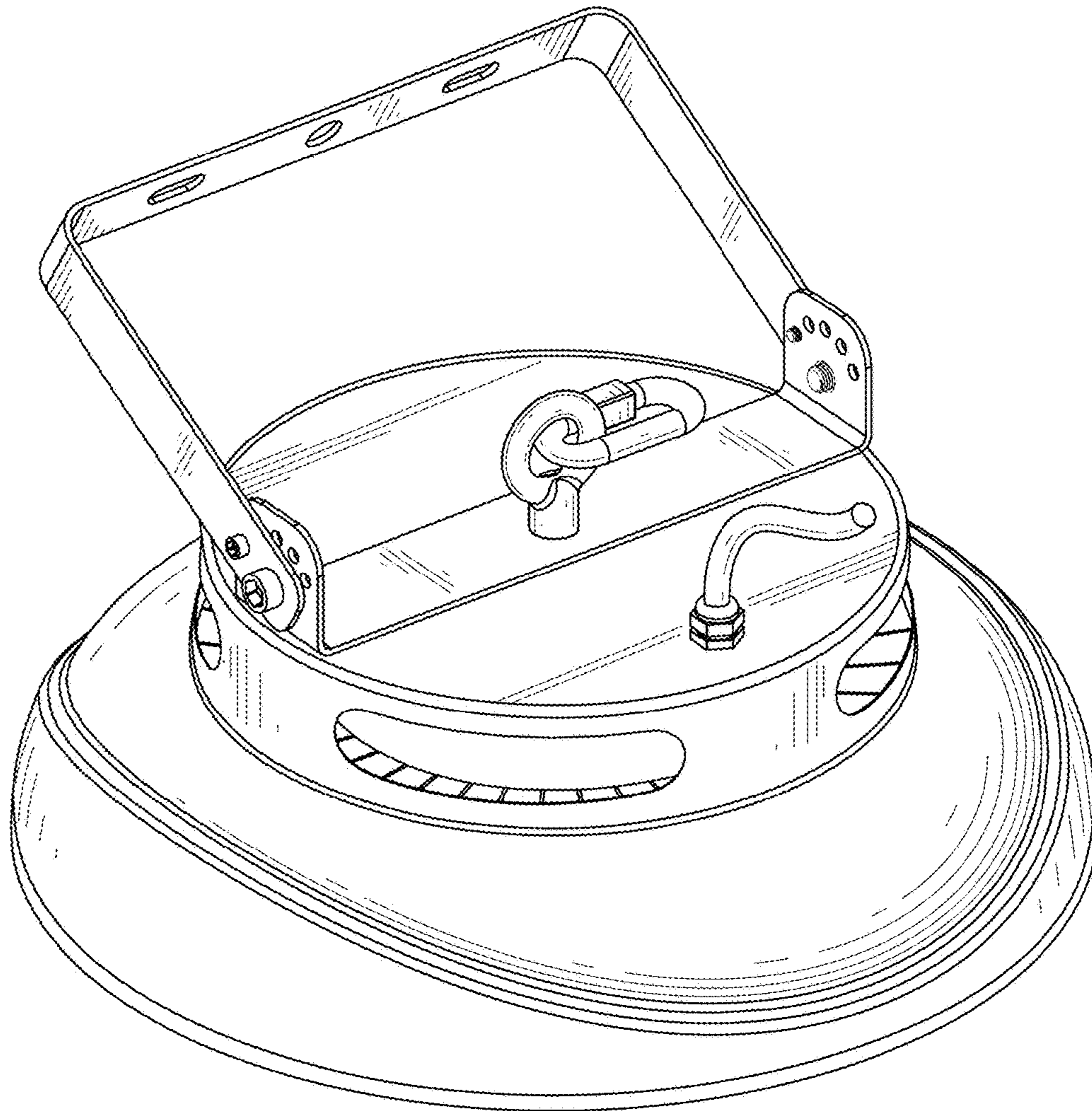


FIG. 2

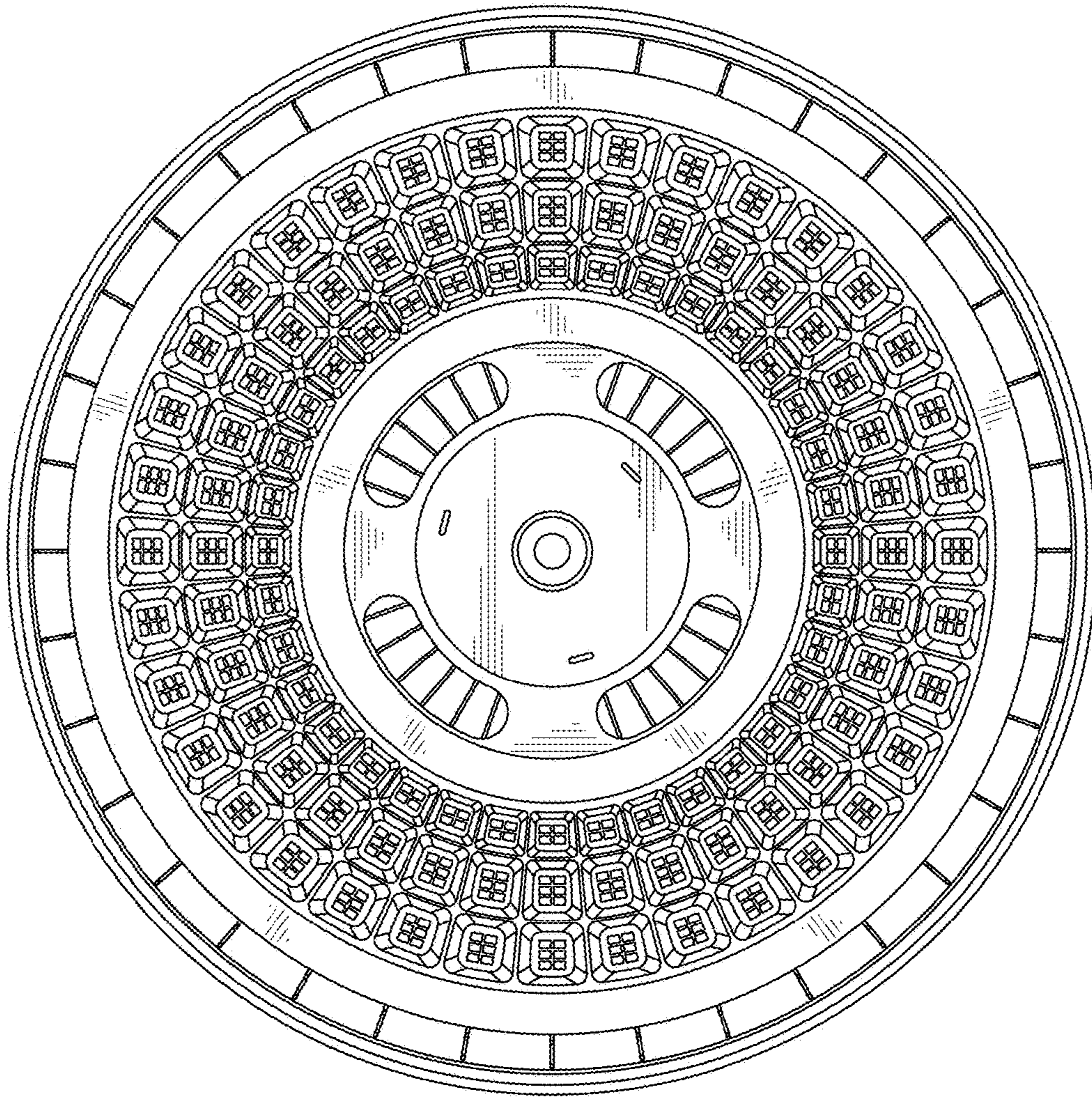


FIG. 3

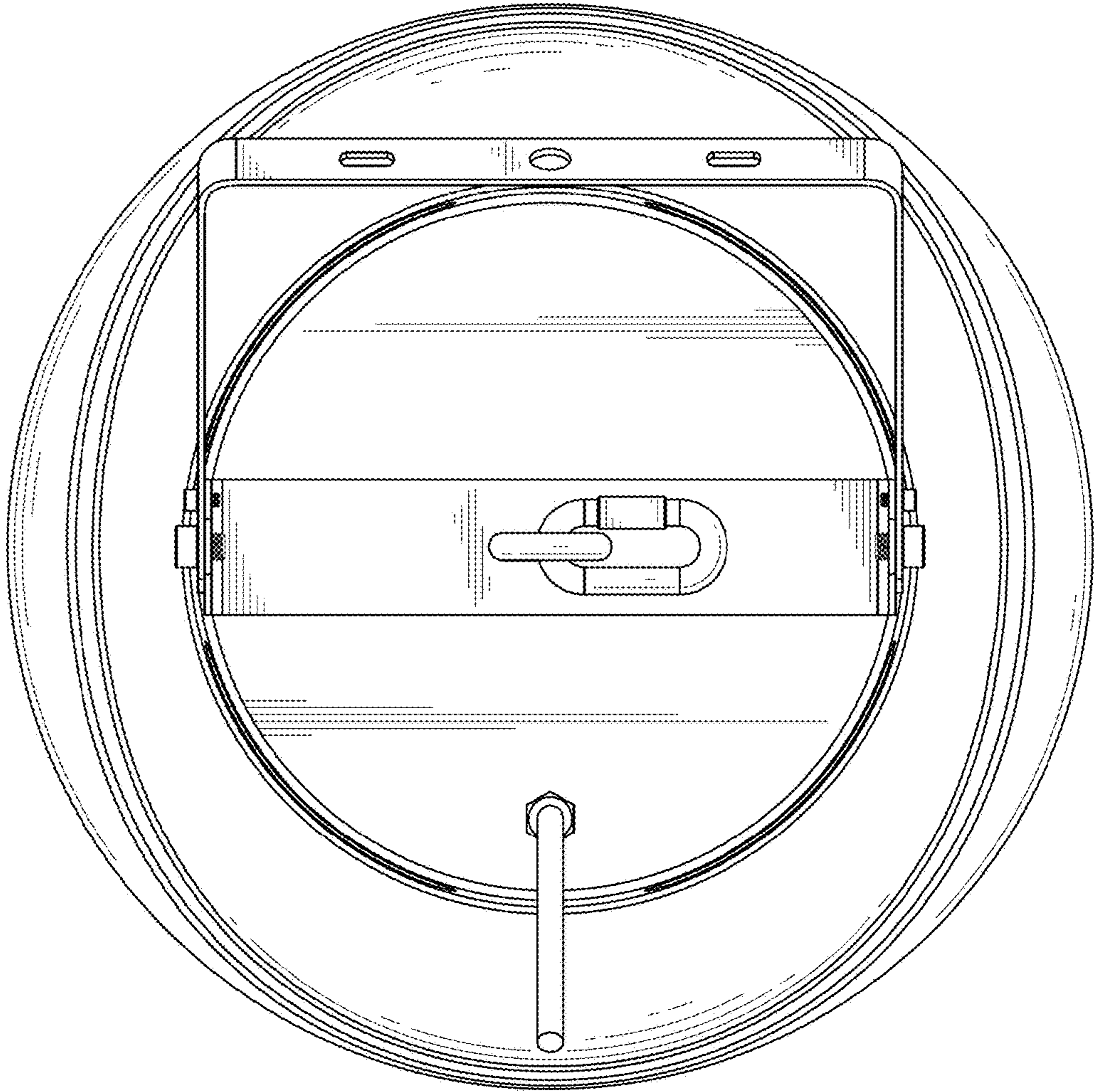


FIG. 4

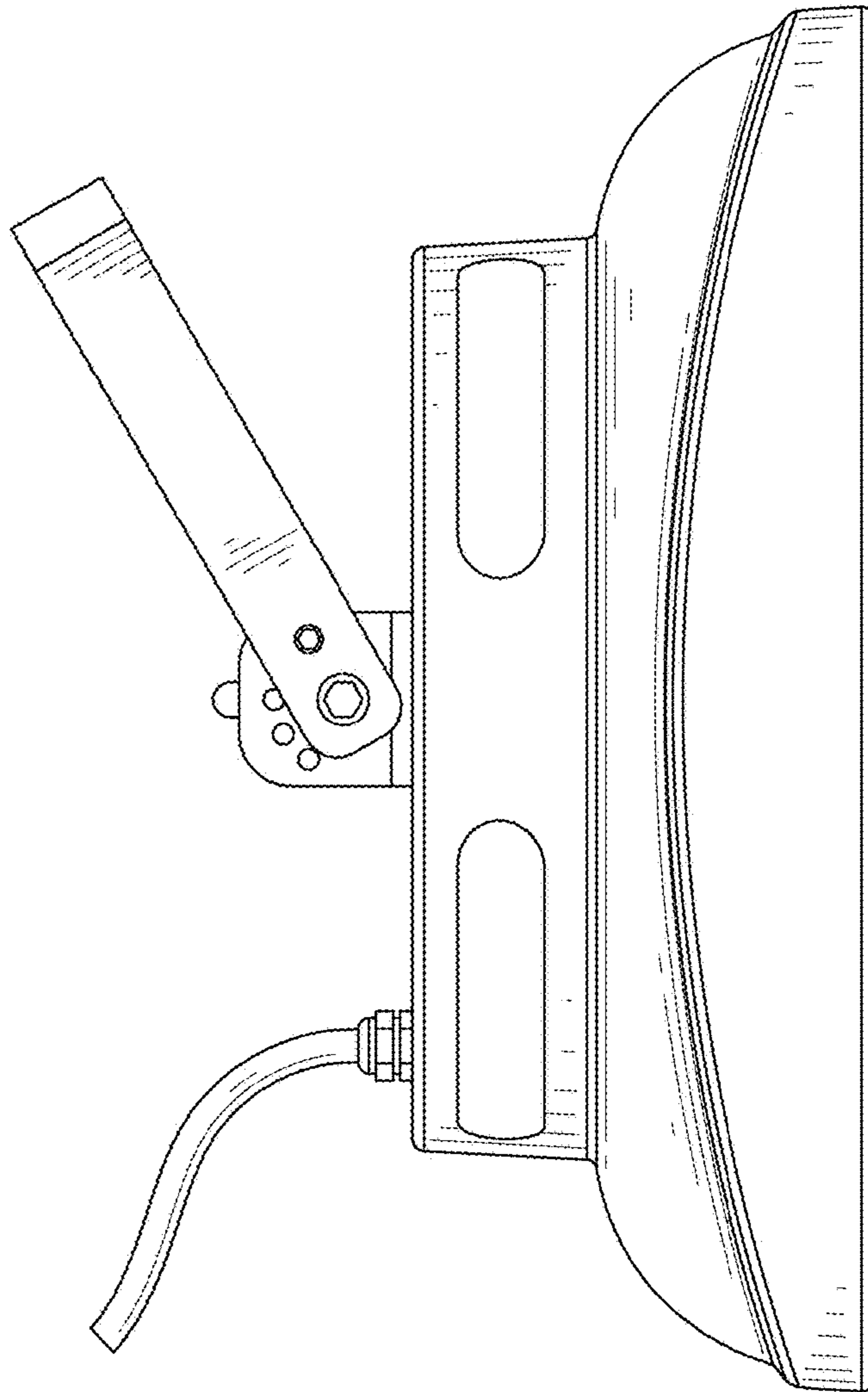


FIG. 5

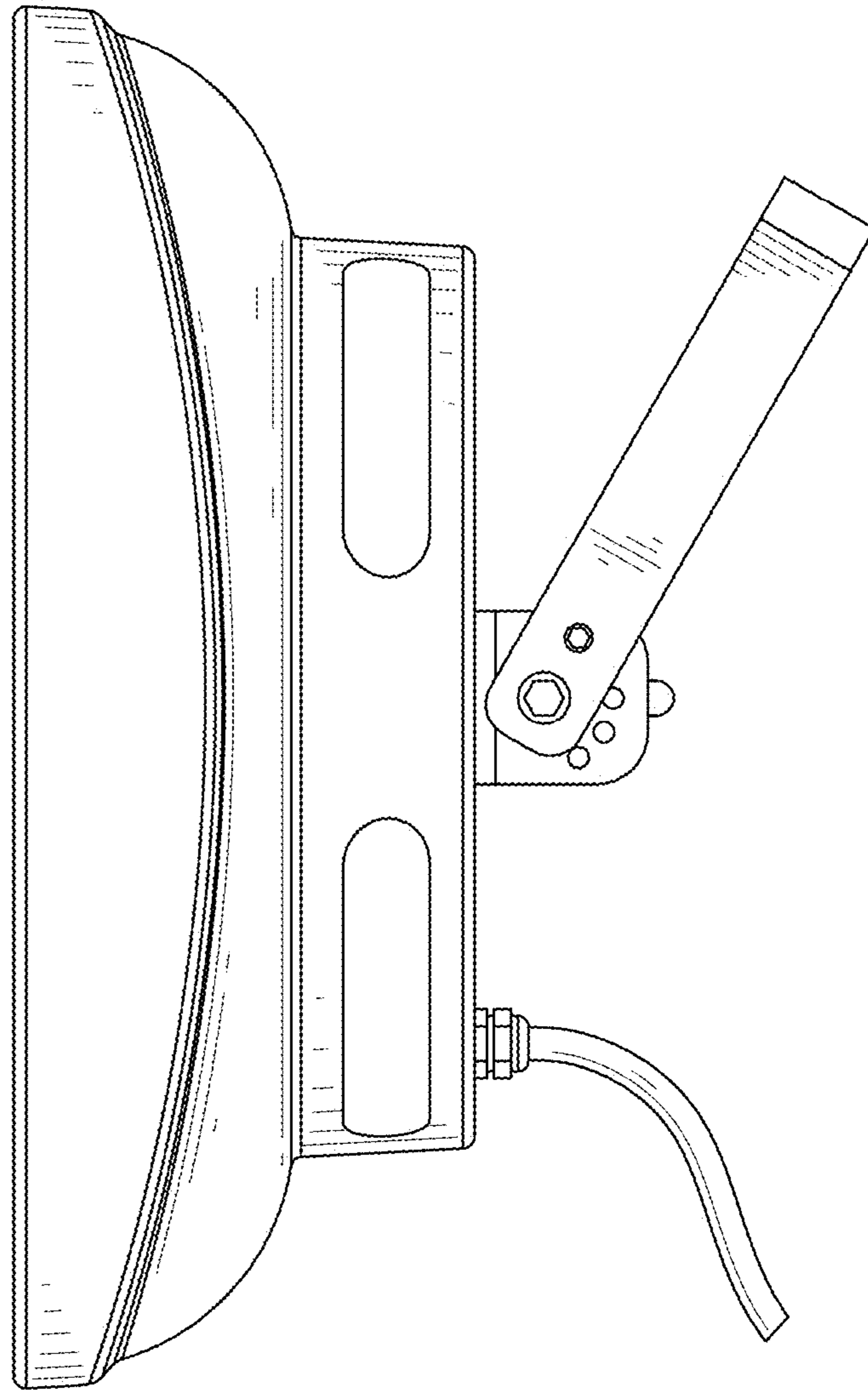


FIG. 6

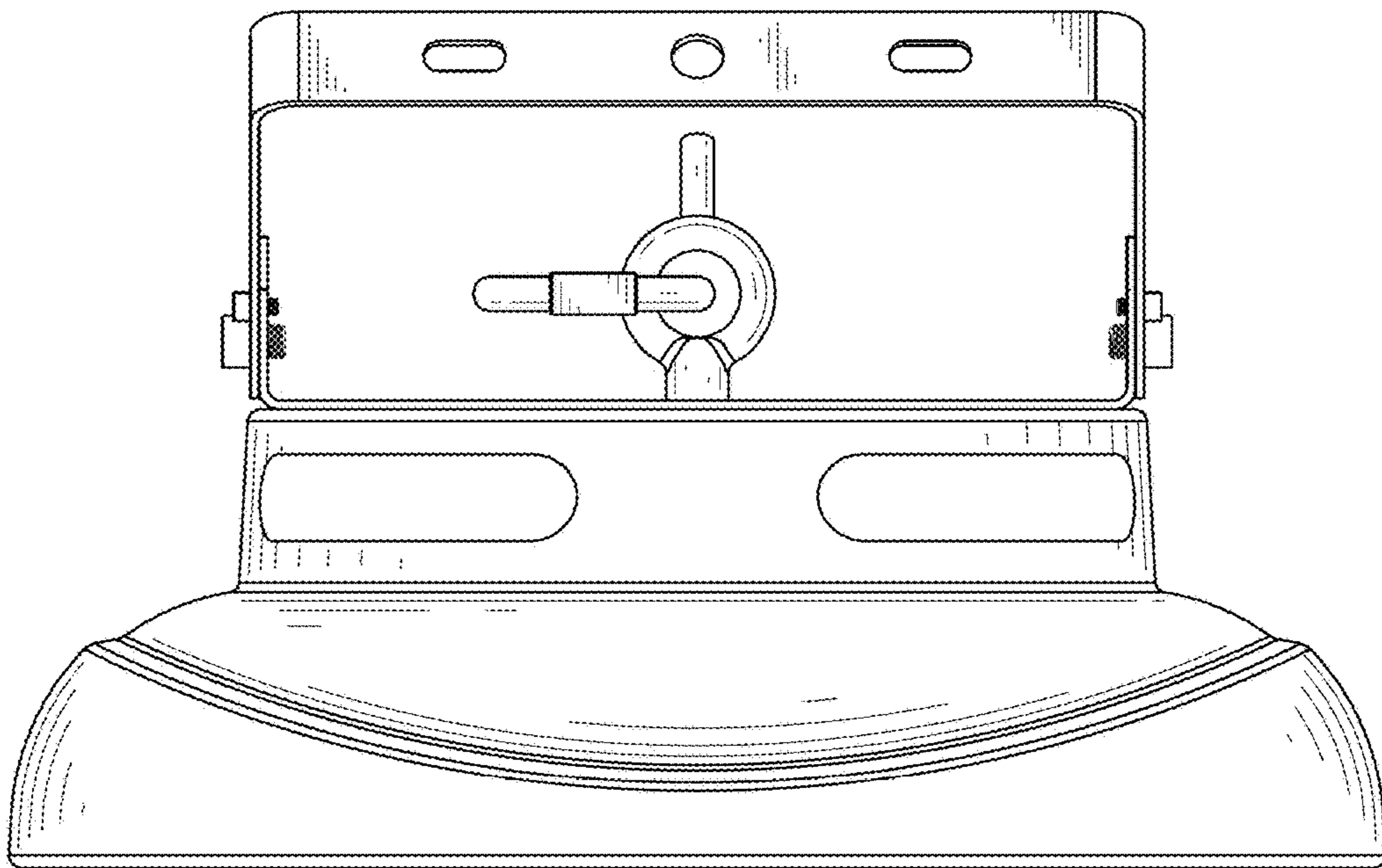


FIG. 7

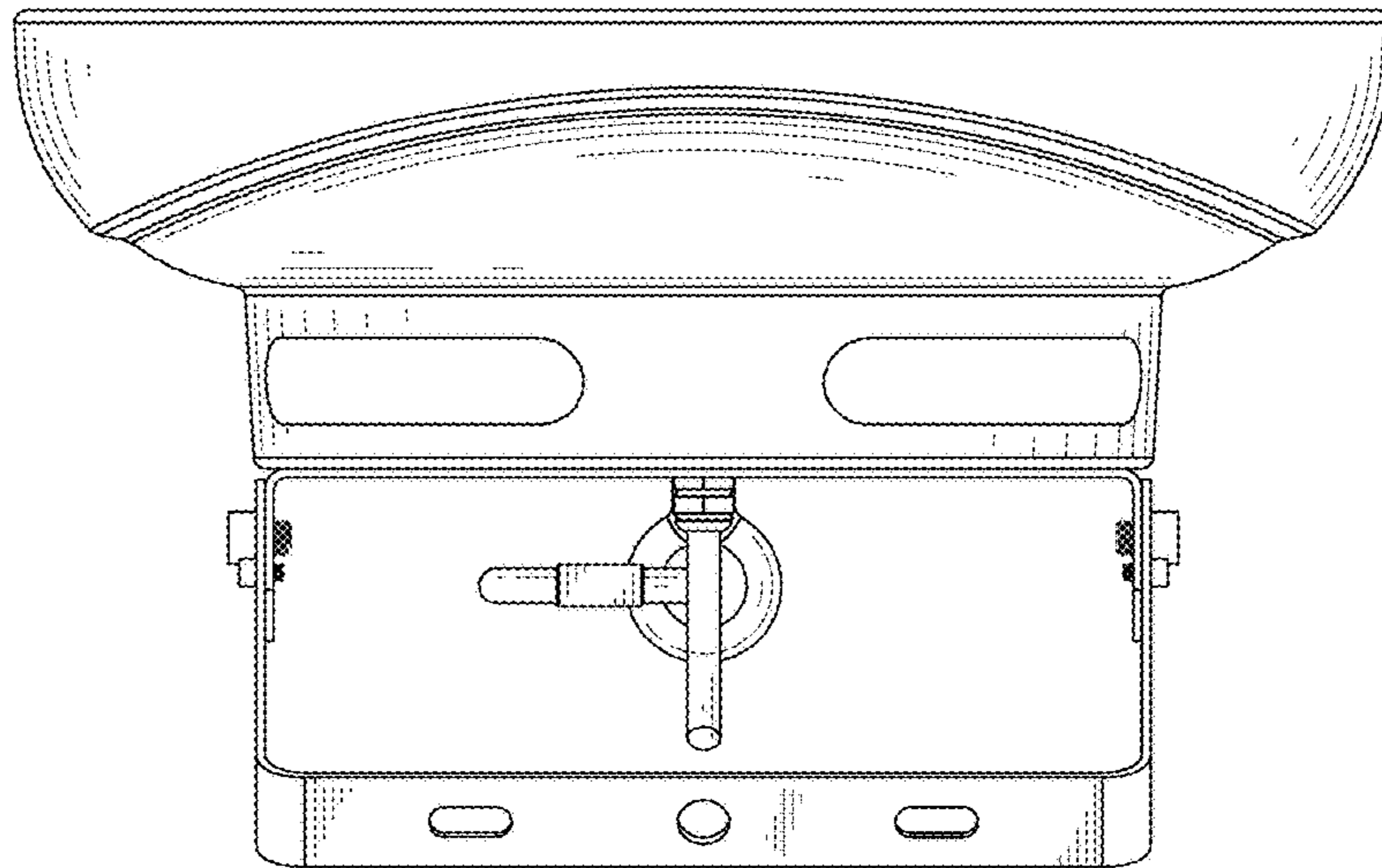


FIG. 8