



US00D796720S

(12) **United States Design Patent** (10) **Patent No.:** **US D796,720 S**
Bo (45) **Date of Patent:** **** *Sep. 5, 2017**

(54) **LIGHT FIXTURE**
(71) Applicant: **Anhui Inno-Sign International Co., Ltd.**, Hefei (CN)
(72) Inventor: **Jin Bo**, Hefei (CN)
(73) Assignee: **Anhui Inno-Sign International Co., Ltd.** (CN)
(*) Notice: This patent is subject to a terminal disclaimer.
(**) Term: **15 Years**
(21) Appl. No.: **29/543,138**
(22) Filed: **Oct. 21, 2015**
(51) **LOC (10) Cl.** **26-05**
(52) **U.S. Cl.**
USPC **D26/72**
(58) **Field of Classification Search**
USPC D26/72, 84, 85, 88, 118, 123, 131, 134, D26/142; D13/134, 146, 151
CPC F21S 8/06; F21S 8/061; F21S 8/063; F21S 8/068
See application file for complete search history.

D77,815 S * 2/1929 Dahl D26/72
D79,865 S * 11/1929 Villaret D26/84
D81,637 S * 7/1930 Frankel D26/84
2,633,483 A * 3/1953 Hafke H01R 33/00
174/153 G
2,686,252 A * 8/1954 Geraci H01H 13/183
362/145
D412,883 S * 8/1999 Nakazawa D13/146
D527,346 S * 8/2006 Brodin D13/146
D583,495 S * 12/2008 Khubani D26/72
D757,328 S * 5/2016 Anderson D26/84

OTHER PUBLICATIONS

Teti wall/ceiling light fixture designed by Vico Magistretti; shown on p. 298 and 299 of the ARTEMIDE 2015 Design Catalog. (3 pages/ includes cover of catalog).*

* cited by examiner

Primary Examiner — Clare E Heflin
(74) *Attorney, Agent, or Firm* — Richards Patent Law P.C.

(57) **CLAIM**

The ornamental design for a light fixture, as shown and described.

DESCRIPTION

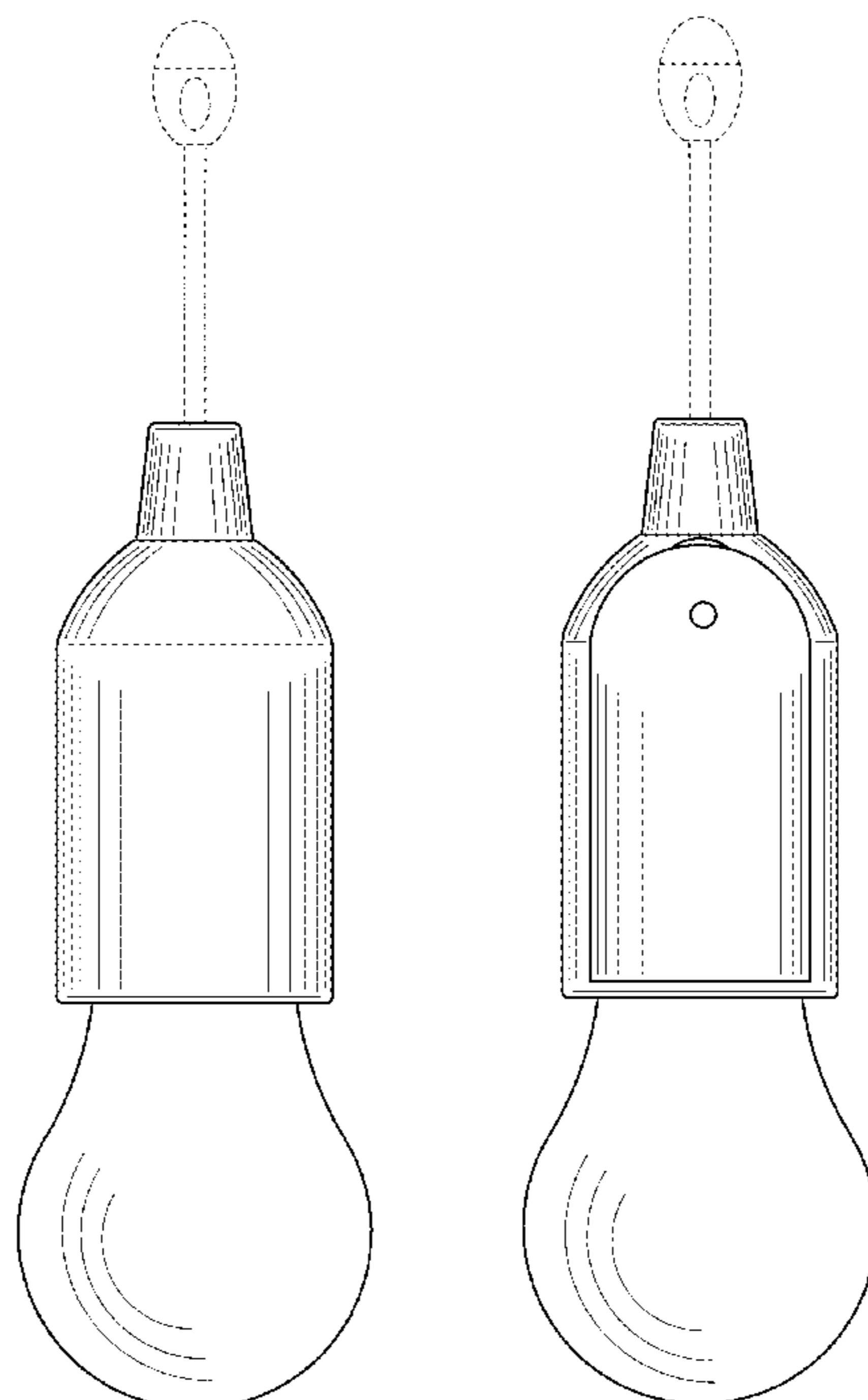
FIG. 1 is a front elevation view of a light fixture; FIG. 2 is a rear elevation view thereof; FIG. 3 is a right side elevation view thereof; FIG. 4 is a left side elevation view thereof; FIG. 5 is a bottom plan view thereof; and, FIG. 6 is a top plan view thereof.

1 Claim, 6 Drawing Sheets

(56) **References Cited**

U.S. PATENT DOCUMENTS

D29,366 S * 9/1898 MacIntire D26/88
D42,455 S * 5/1912 Boderman D26/88
D48,028 S * 10/1915 Gates D13/134
D67,751 S * 7/1925 Gunther D23/356
D72,839 S * 6/1927 Klein D26/84
D73,481 S * 9/1927 Boehringer D26/84



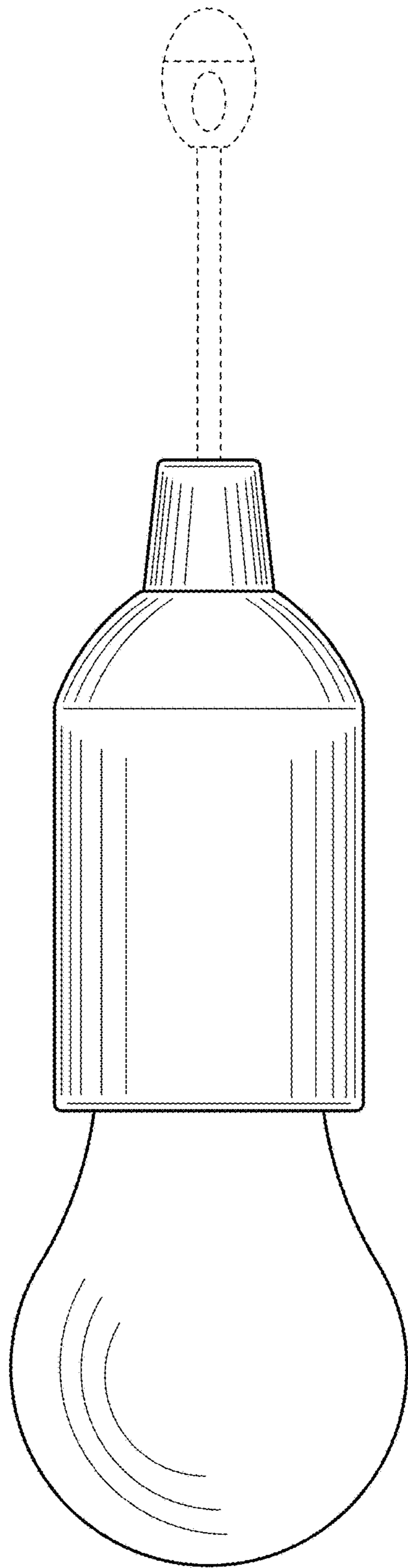


FIG. 1

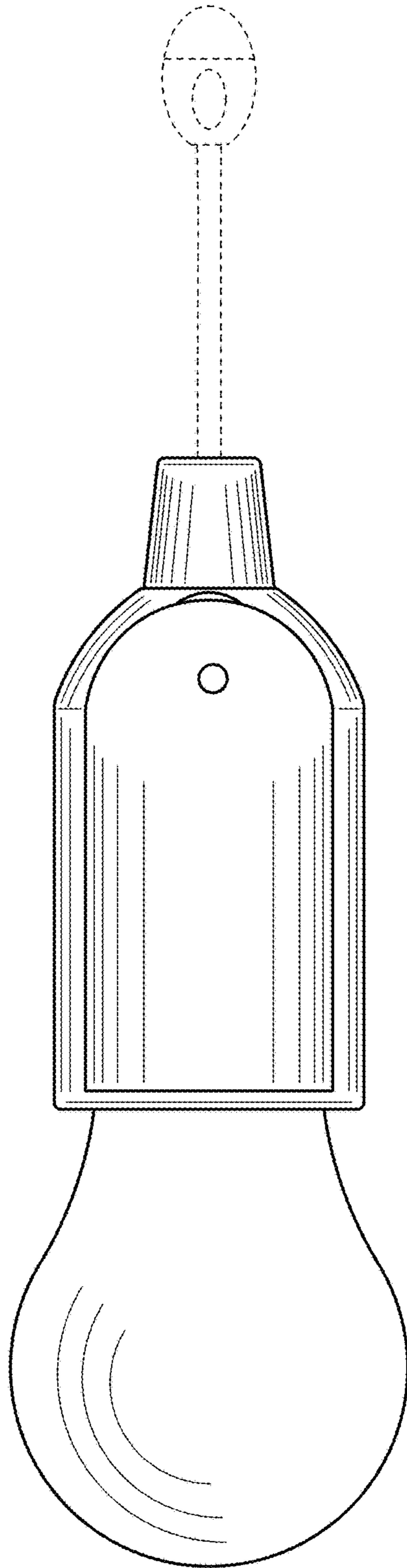


FIG.2

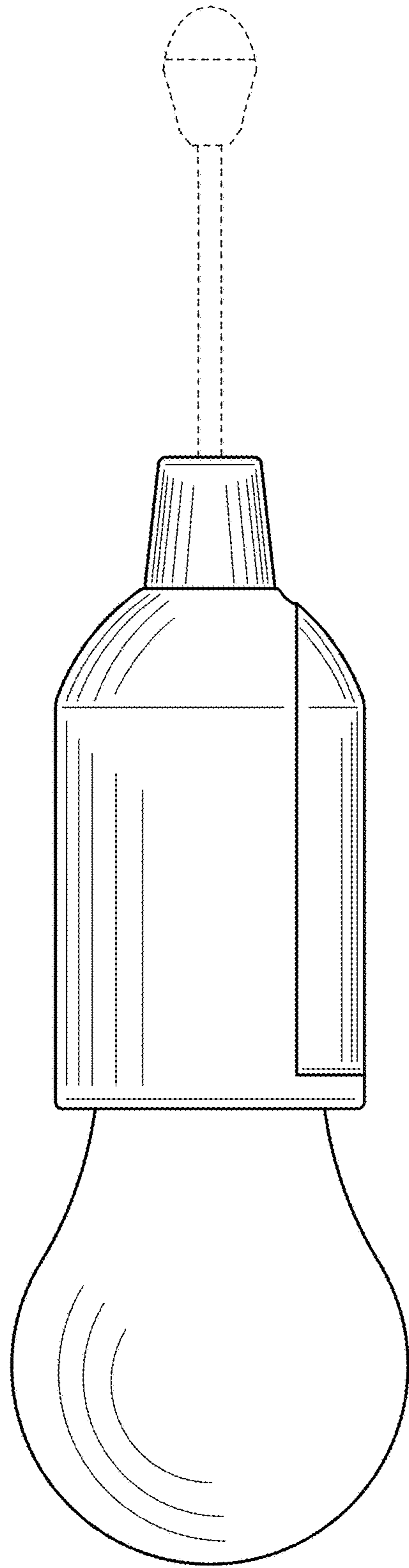


FIG.3

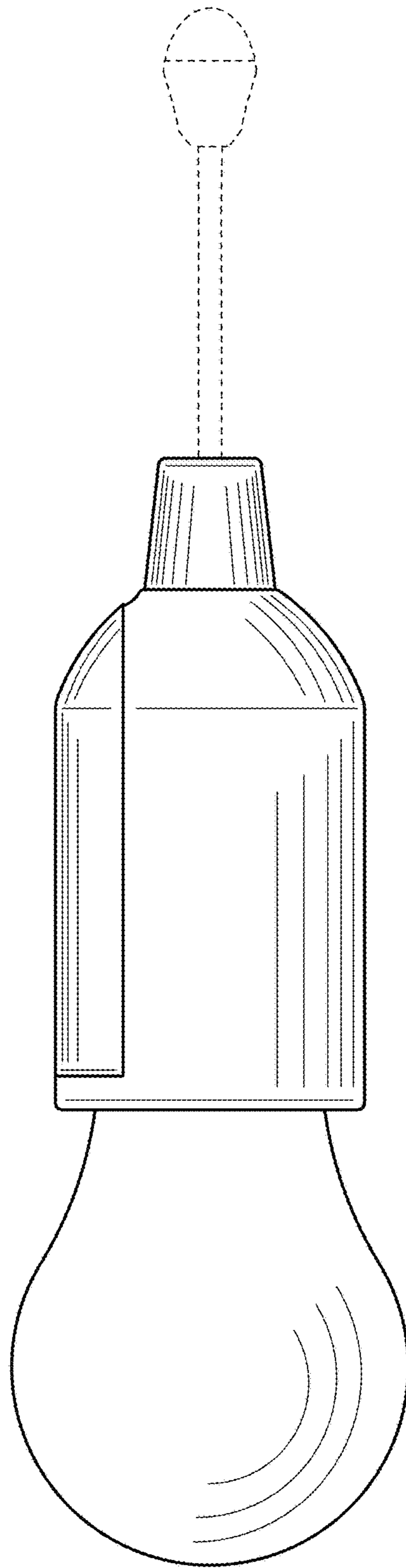


FIG.4

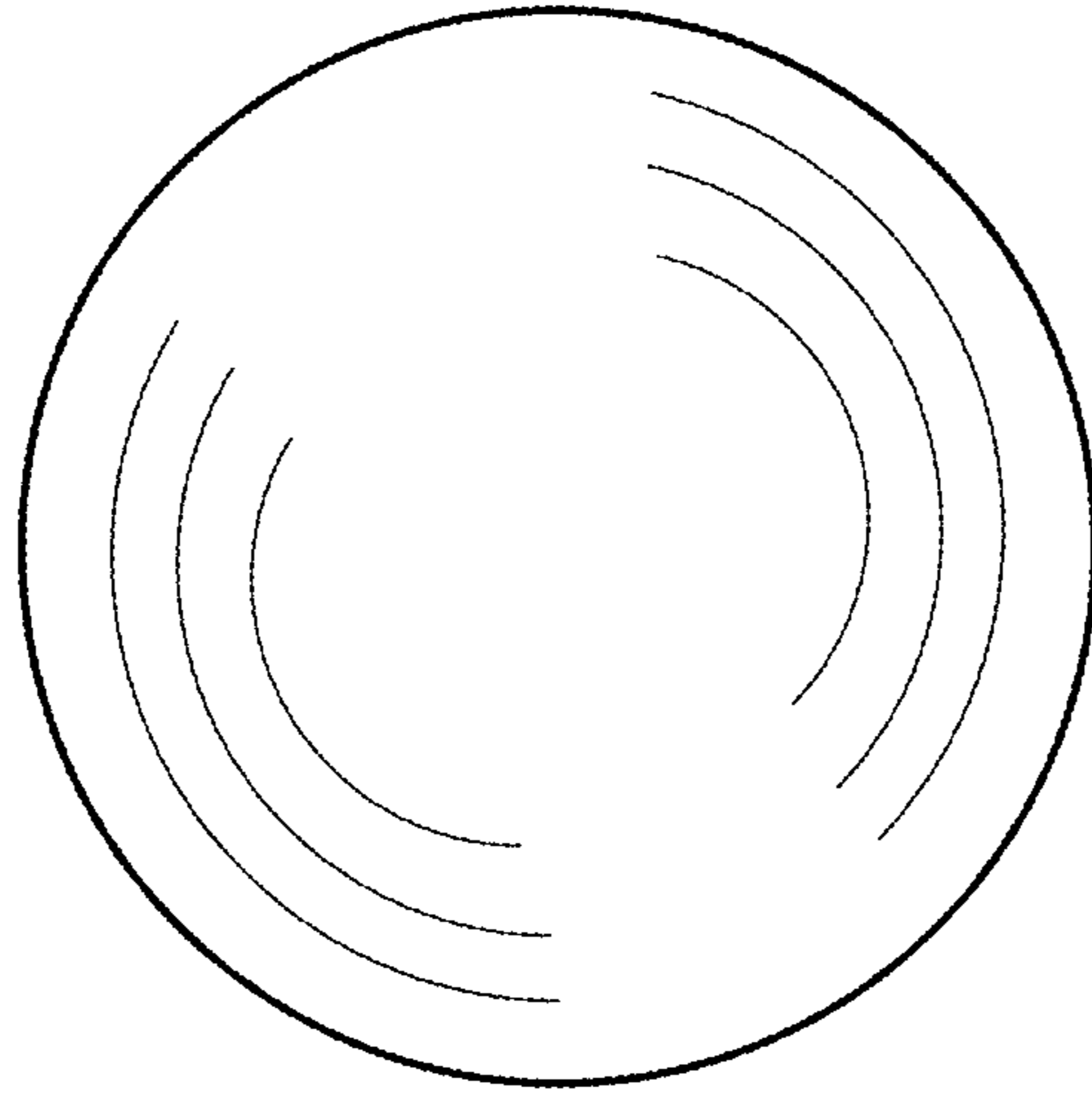


FIG.5

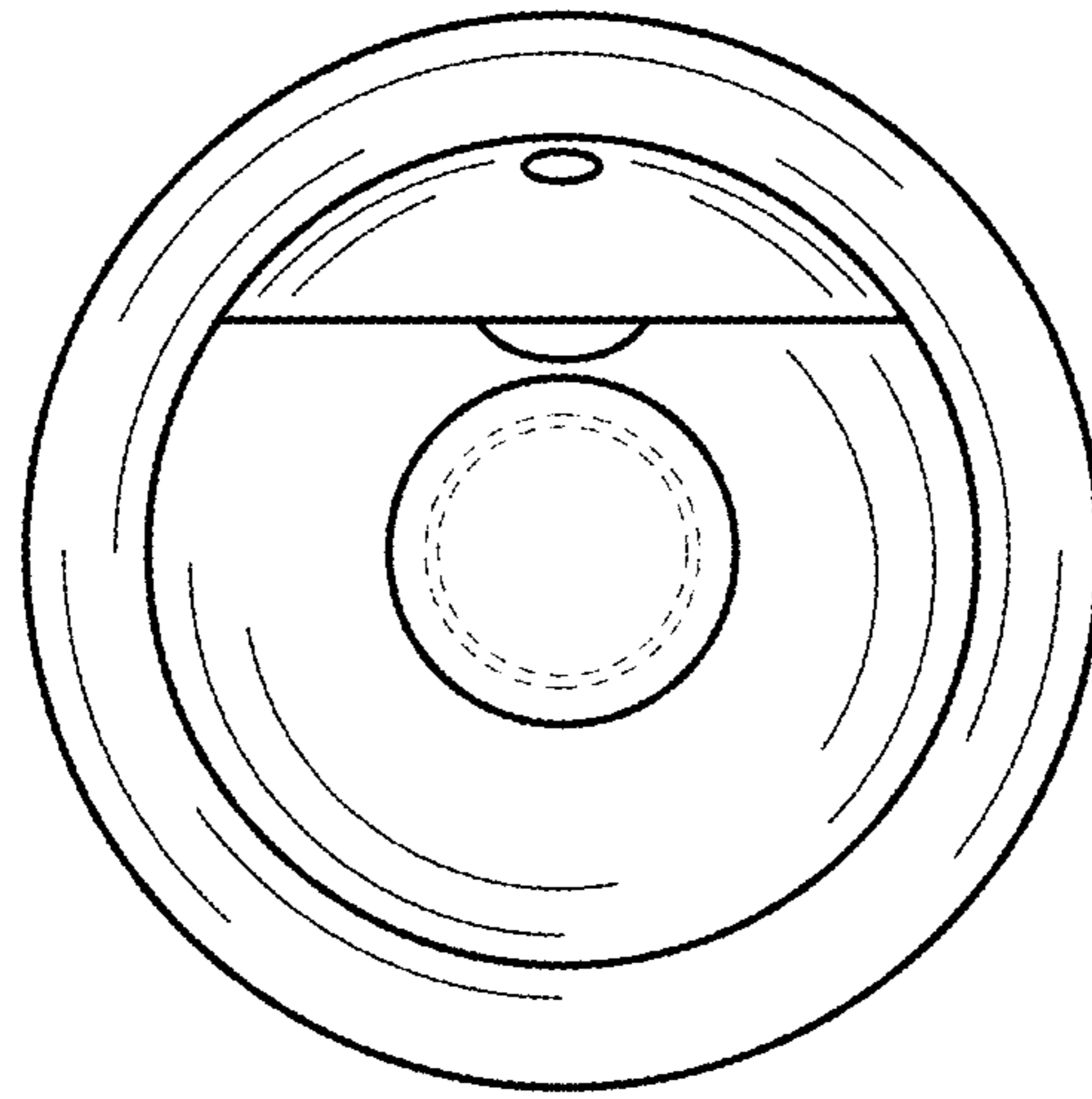


FIG.6