



US00D796719S

(12) **United States Design Patent** (10) **Patent No.:** **US D796,719 S**
Zhu (45) **Date of Patent:** **** *Sep. 5, 2017**

- (54) **WALLPACK LIGHT**
 - (71) Applicant: **Jianrong Zhu**, Irvine, CA (US)
 - (72) Inventor: **Jianrong Zhu**, Irvine, CA (US)
 - (*) Notice: This patent is subject to a terminal disclaimer.
 - (**) Term: **14 Years**
 - (21) Appl. No.: **29/515,045**
 - (22) Filed: **Jan. 20, 2015**
 - (51) **LOC (10) Cl.** **26-05**
 - (52) **U.S. Cl.**
USPC **D26/72; D26/63**
 - (58) **Field of Classification Search**
USPC D26/63, 72, 85, 92, 118
CPC ... F21S 8/03; F21S 8/033; F21S 8/036; F21V 21/06; F21V 21/14; F21V 21/26; F21V 21/30
- See application file for complete search history.

(56) **References Cited**

U.S. PATENT DOCUMENTS

D391,382 S	*	2/1998	Rahn	D26/63
D662,646 S	*	6/2012	Wauters	D26/85
D672,901 S	*	12/2012	Chiesurin	D26/80
D672,903 S	*	12/2012	Toney, Jr.	D26/85
D744,684 S	*	12/2015	Guercio	D26/63

2015/0167936	A1*	6/2015	Yong	F21V 29/83 362/190
2015/0292723	A1*	10/2015	Yu	F21V 29/76 362/147
2015/0308667	A1*	10/2015	Corkill	F21V 21/02 362/147

* cited by examiner

Primary Examiner — Clare E Hefflin

(74) *Attorney, Agent, or Firm* — Michael D. Eisenberg

(57) **CLAIM**

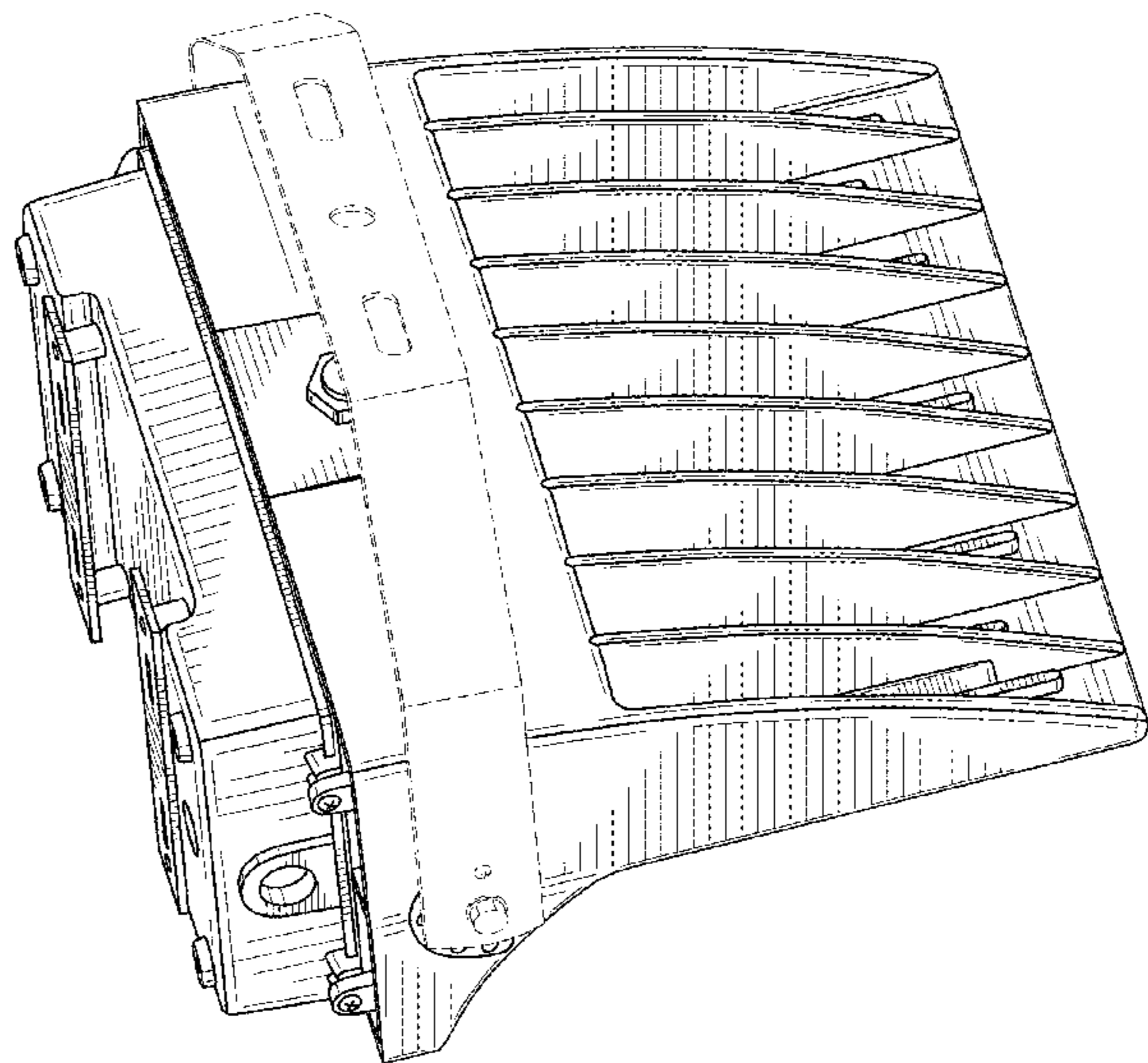
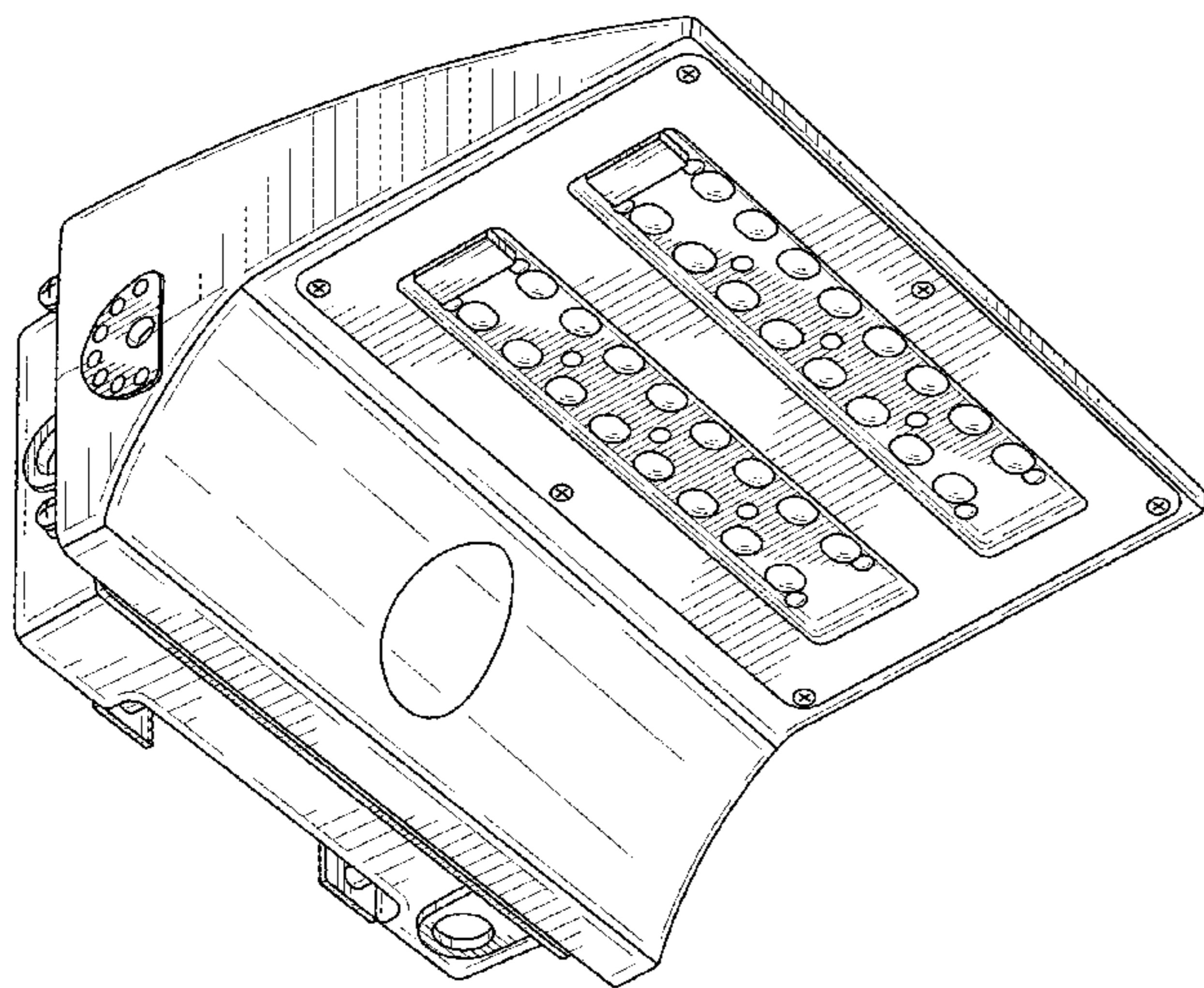
The ornamental design for a wallpack light, as shown and described.

DESCRIPTION

FIG. 1 is a perspective view from front and below of a wallpack light showing my new design;
 FIG. 2 is a right side view thereof;
 FIG. 3 is a bottom view thereof;
 FIG. 4 is a back view thereof;
 FIG. 5 is a left side view thereof;
 FIG. 6 is a front view thereof;
 FIG. 7 is a top view thereof; and,
 FIG. 8 is a perspective view from the back and above thereof.

The broken lines shown in FIG. 8 of the drawings depict portions of the light fixture that form no part of the claimed design.

1 Claim, 6 Drawing Sheets



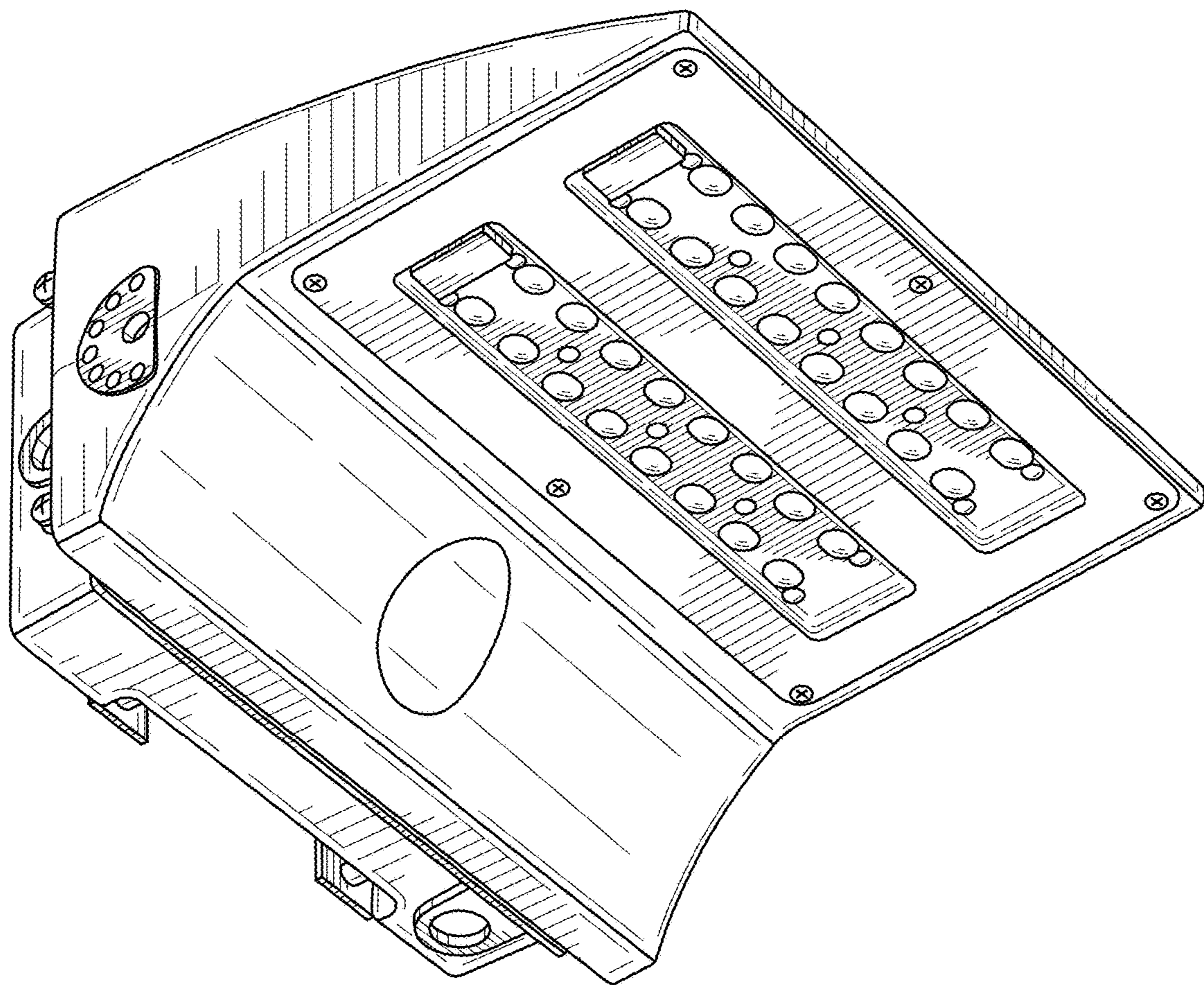


FIG. 1

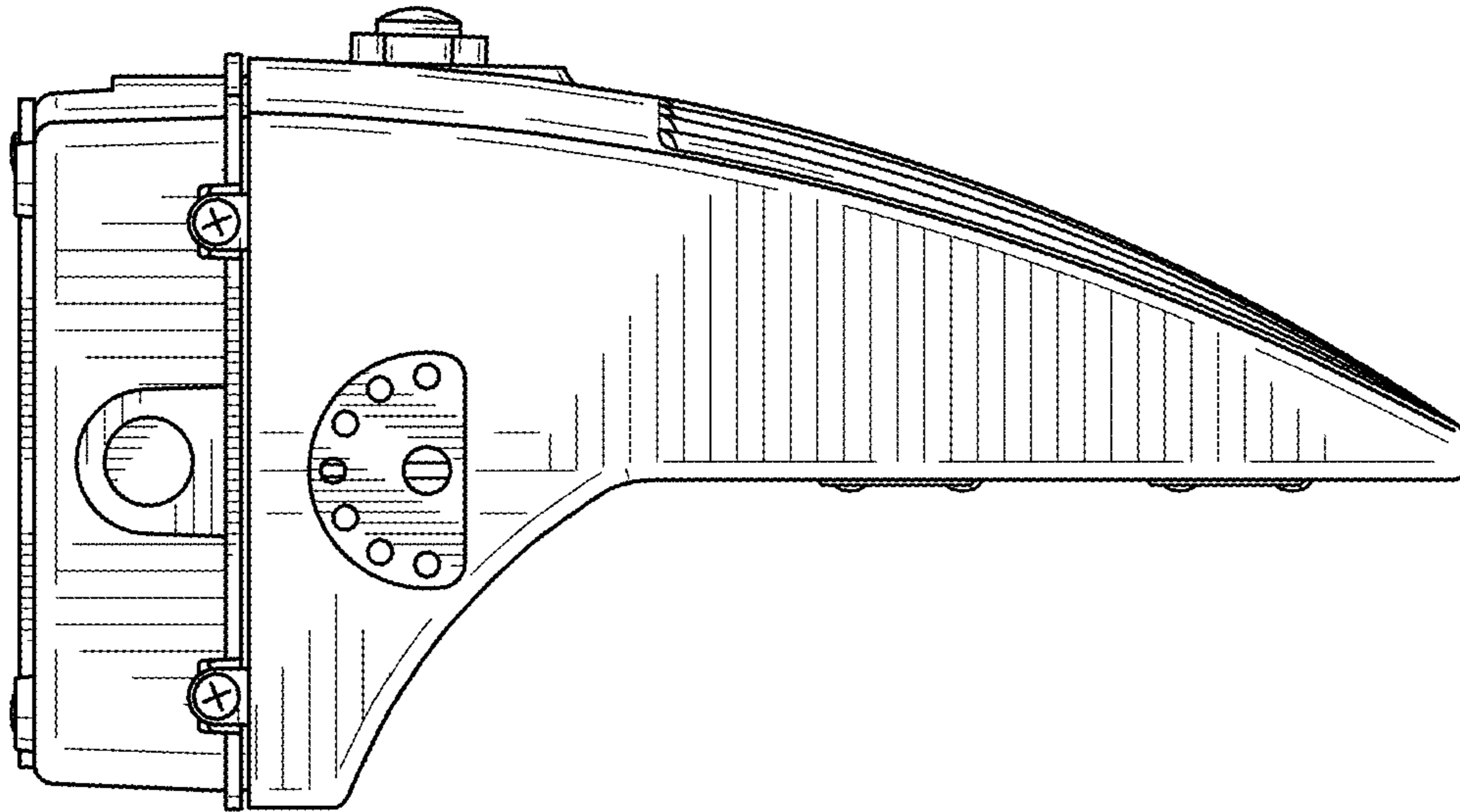


FIG. 2

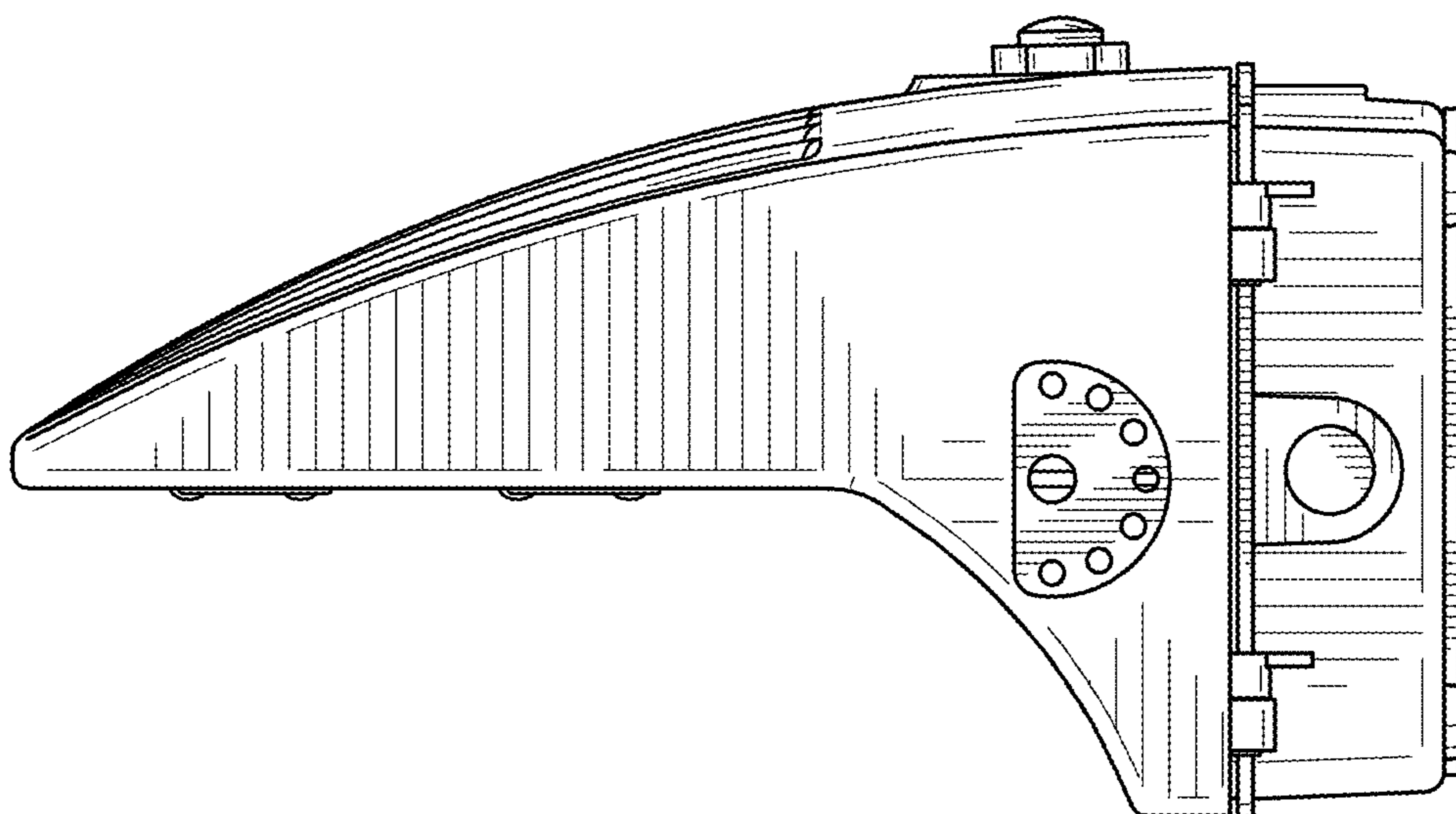


FIG. 5

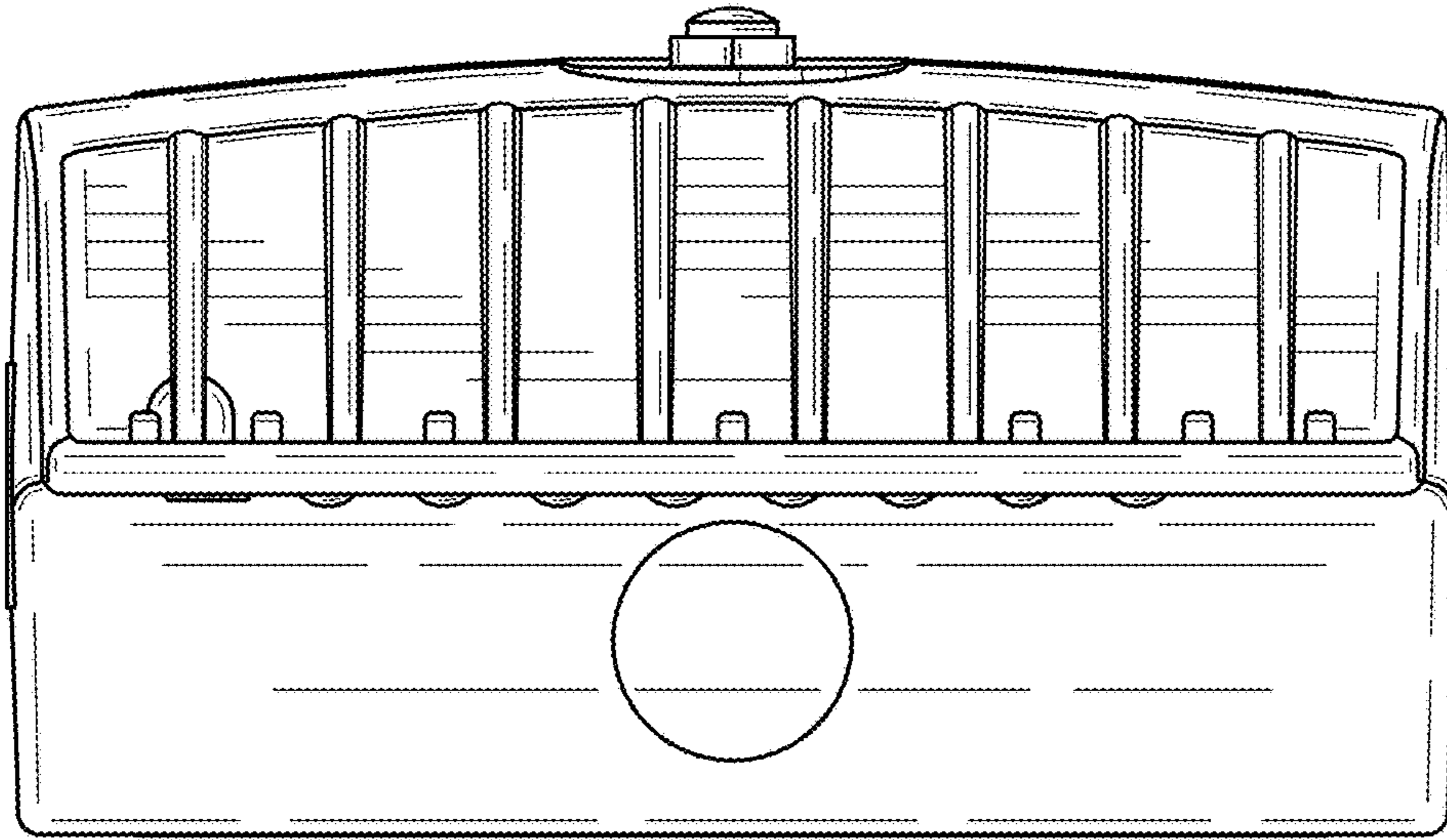


FIG. 3

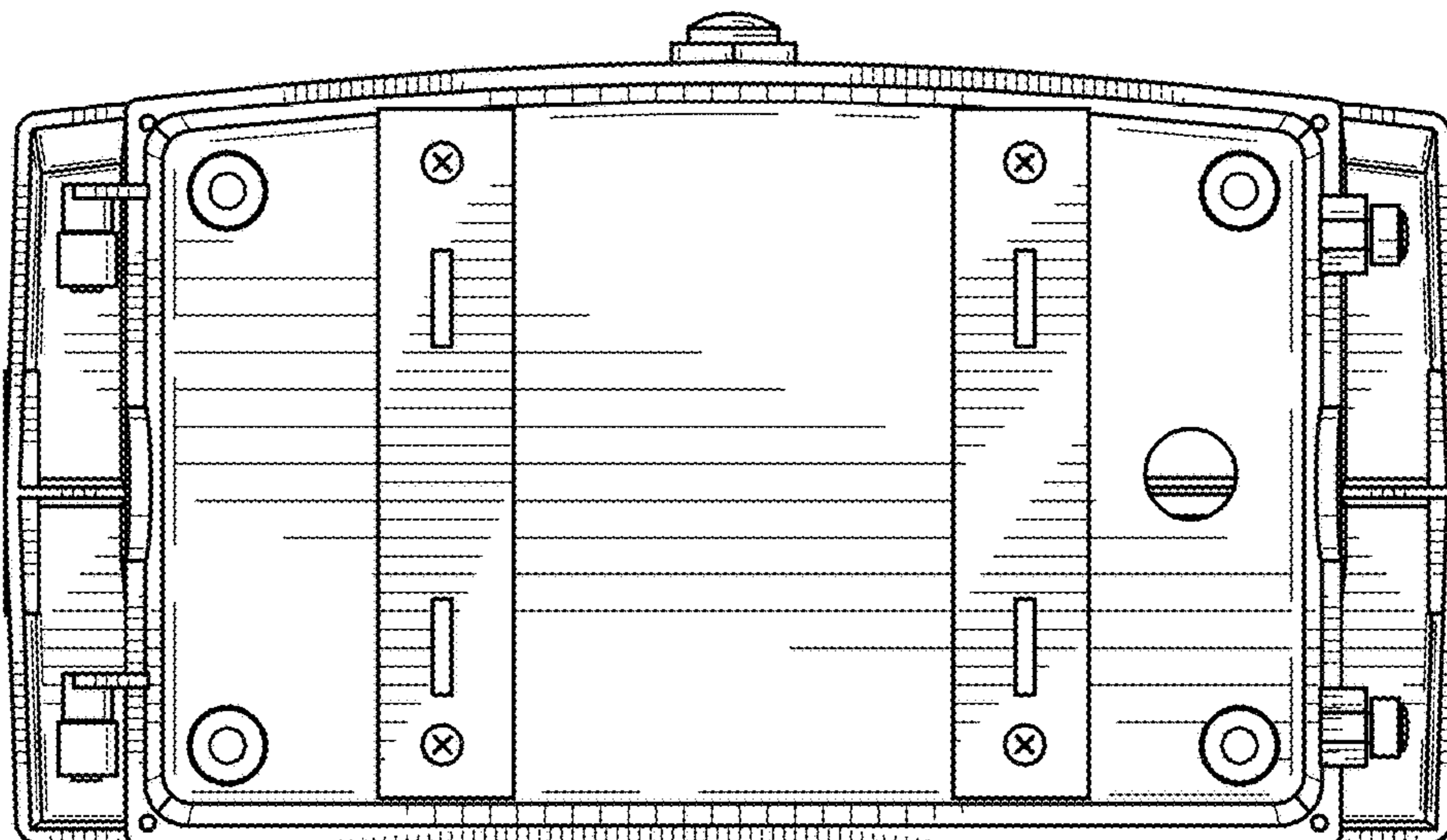


FIG. 7

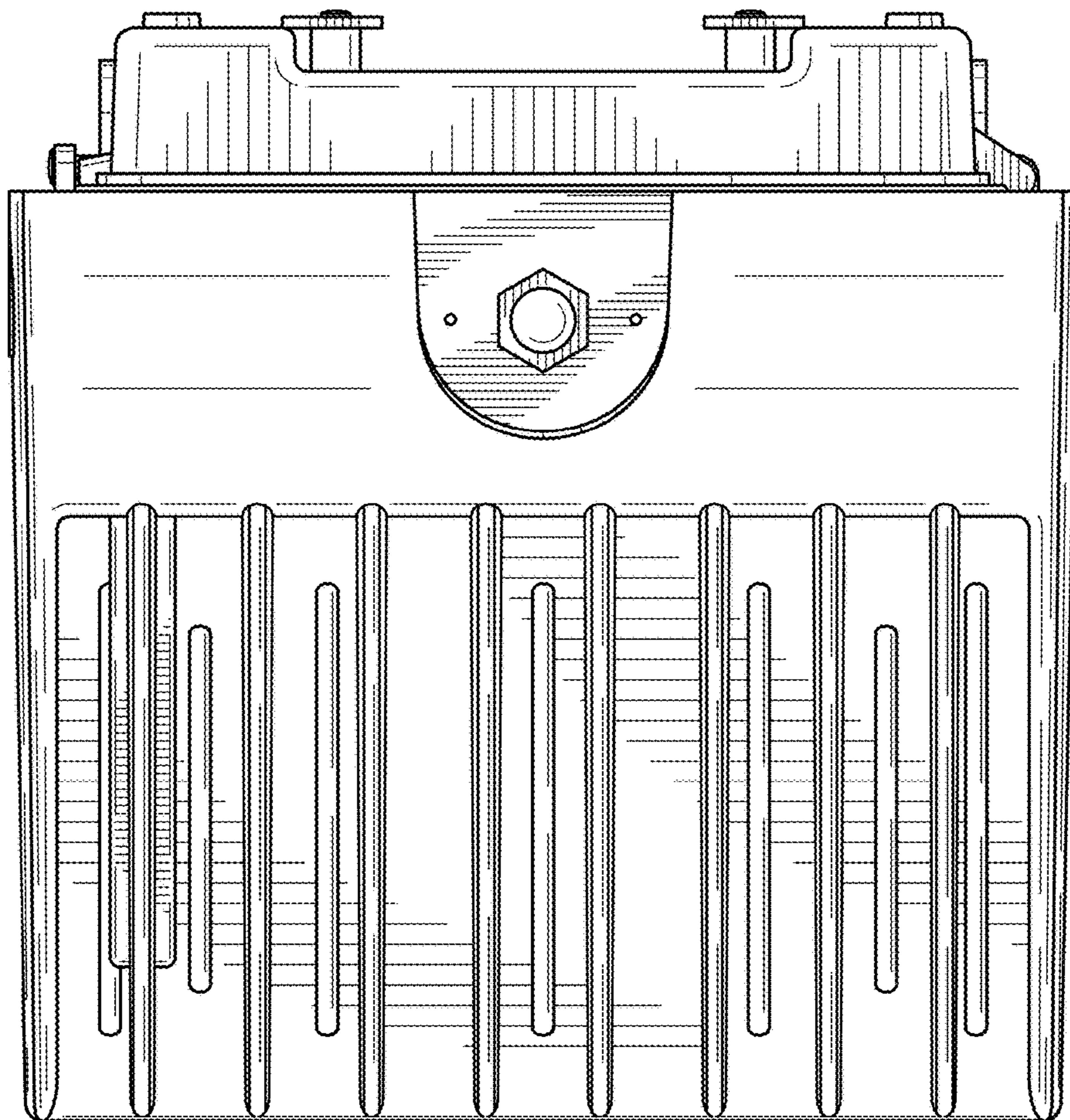


FIG. 4

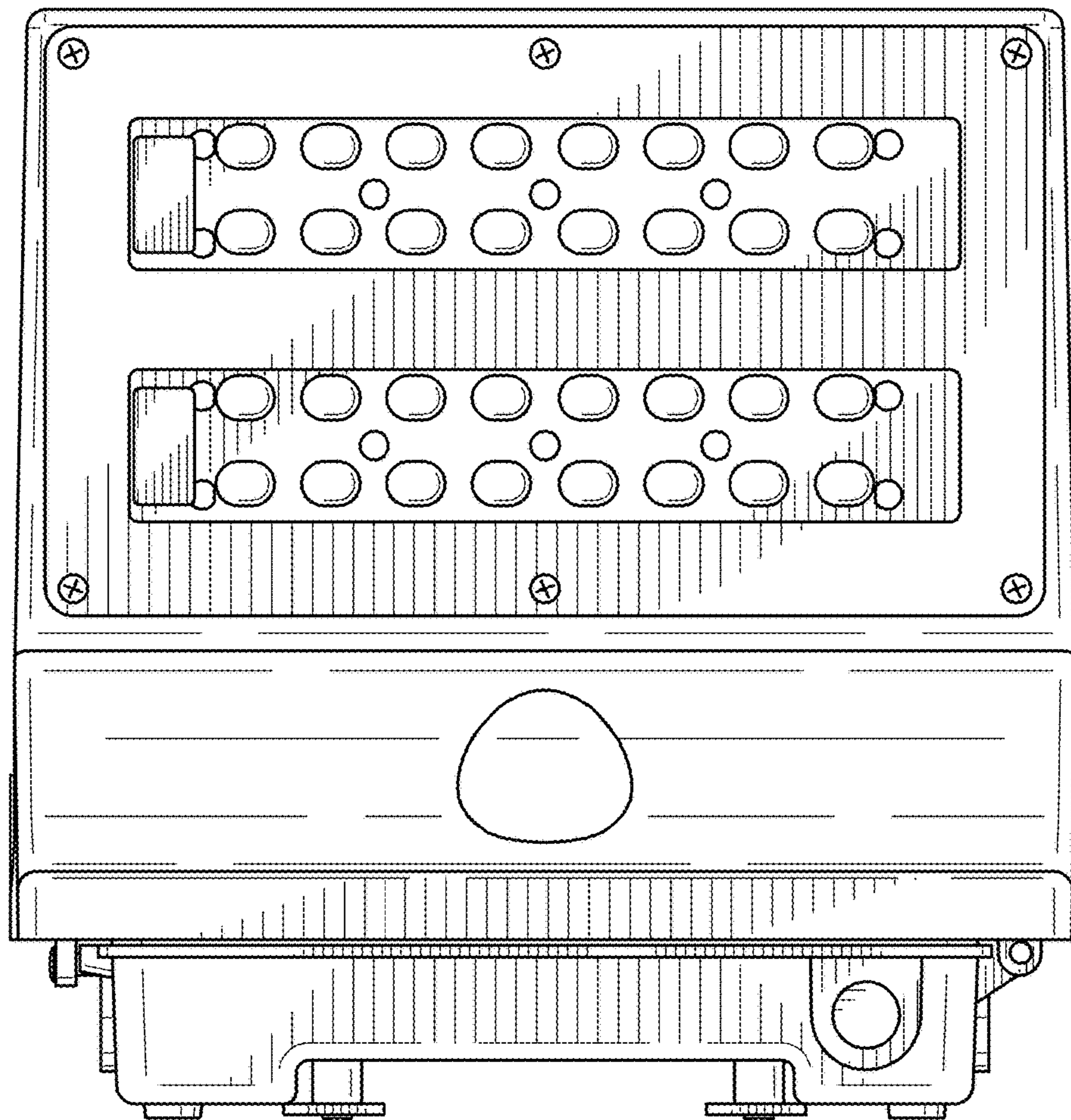


FIG. 6

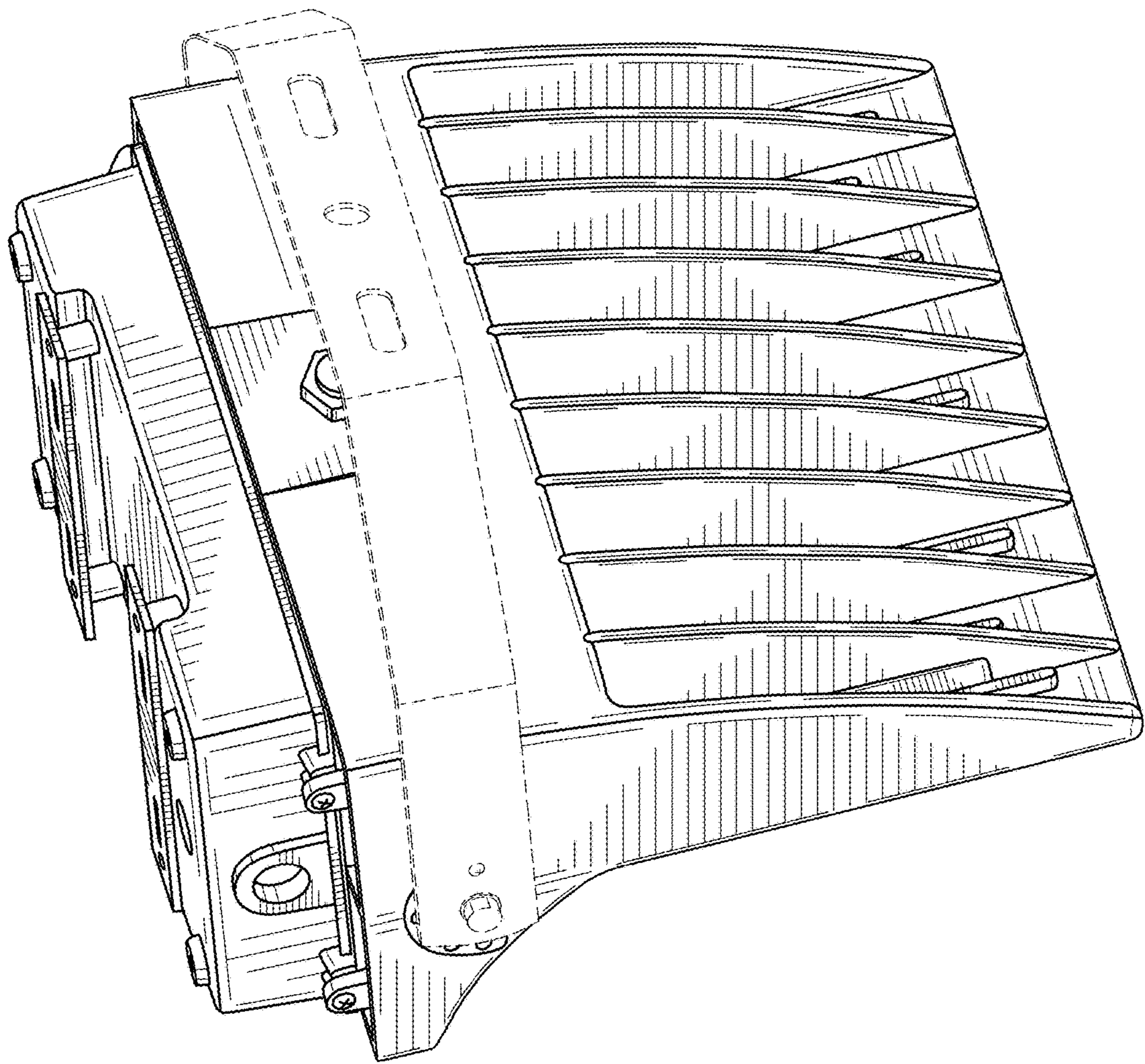


FIG. 8