

US00D796718S

(12) **United States Design Patent**  
**Zhou**

(10) **Patent No.:** **US D796,718 S**

(45) **Date of Patent:** **\*\* Sep. 5, 2017**

(54) **PORTABLE SEARCHLIGHT**

(71) Applicant: **Yong-Qiang Zhou**, Fenghua (CN)

(72) Inventor: **Yong-Qiang Zhou**, Fenghua (CN)

(\*\*) Term: **15 Years**

(21) Appl. No.: **29/599,840**

(22) Filed: **Apr. 7, 2017**

(51) **LOC (10) Cl.** ..... **26-03**

(52) **U.S. Cl.**  
USPC ..... **D26/63**

(58) **Field of Classification Search**

USPC ..... D26/1, 24, 61, 63, 65, 85, 92  
CPC ..... F21V 21/14; F21V 15/01; F21V 14/02;  
F21V 21/30; F21V 21/00; F21V 14/00;  
F21S 8/00; F21S 8/003; F21S 8/043;  
F21Y 2105/001

See application file for complete search history.

(56) **References Cited**

**U.S. PATENT DOCUMENTS**

D380,568 S \* 7/1997 Landy ..... D26/63  
D625,872 S \* 10/2010 Leen ..... D26/63

D744,139 S \* 11/2015 Itoh ..... D26/63  
D754,383 S \* 4/2016 Kovacic ..... D26/63  
D780,969 S \* 3/2017 Zhu ..... D26/63  
D781,480 S \* 3/2017 Zhan ..... D26/63

\* cited by examiner

*Primary Examiner* — Brian N Vinson

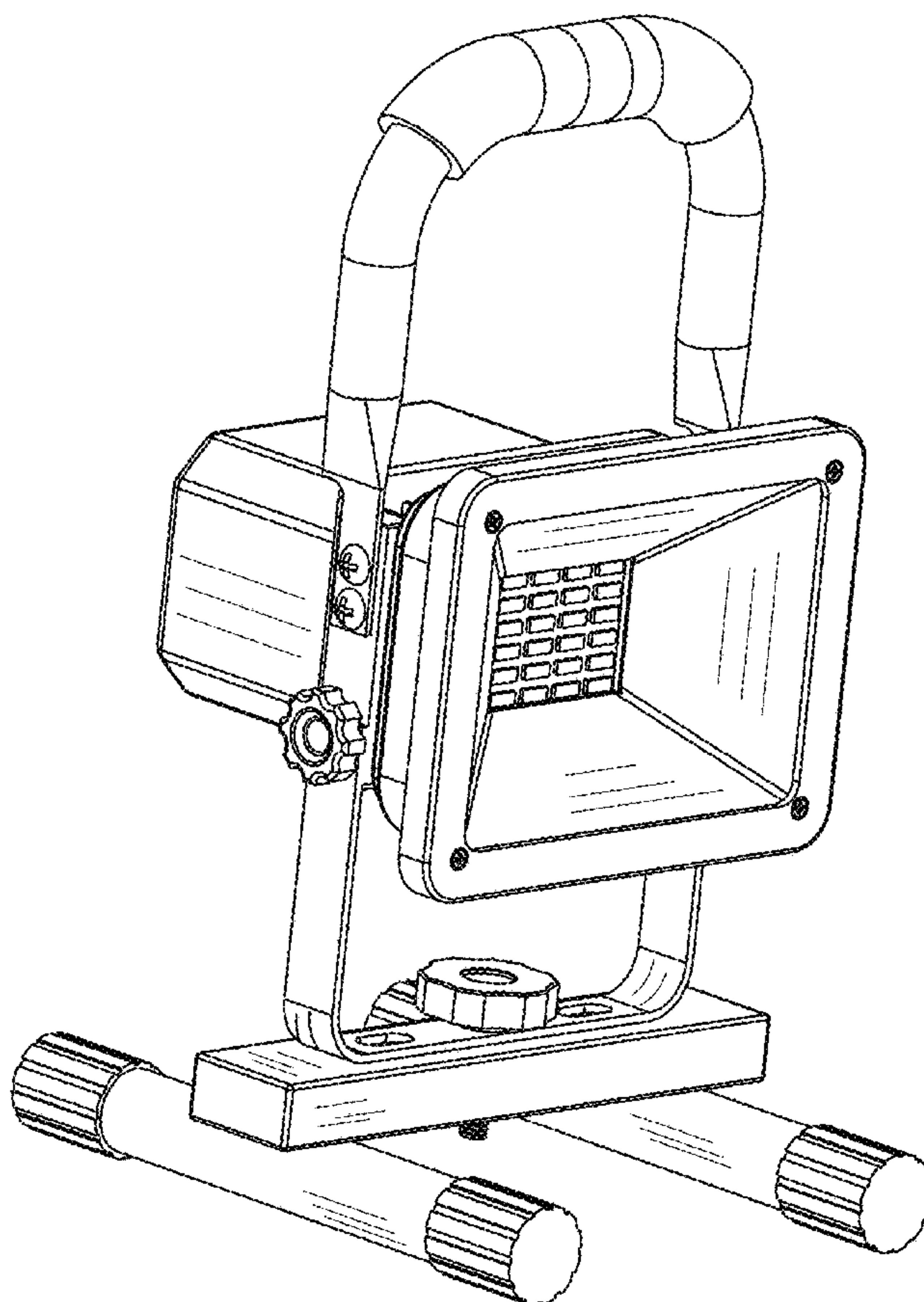
(57) **CLAIM**

The ornamental design for a portable searchlight, as shown and described.

**DESCRIPTION**

FIG. 1 is a perspective view of a portable searchlight showing my new design;  
FIG. 2 is a right elevational view thereof;  
FIG. 3 is a bottom elevational view thereof;  
FIG. 4 is a front side elevational view thereof;  
FIG. 5 is a top side elevational view thereof;  
FIG. 6 is a left plan view thereof; and,  
FIG. 7 is a rear plan view thereof.

**1 Claim, 7 Drawing Sheets**



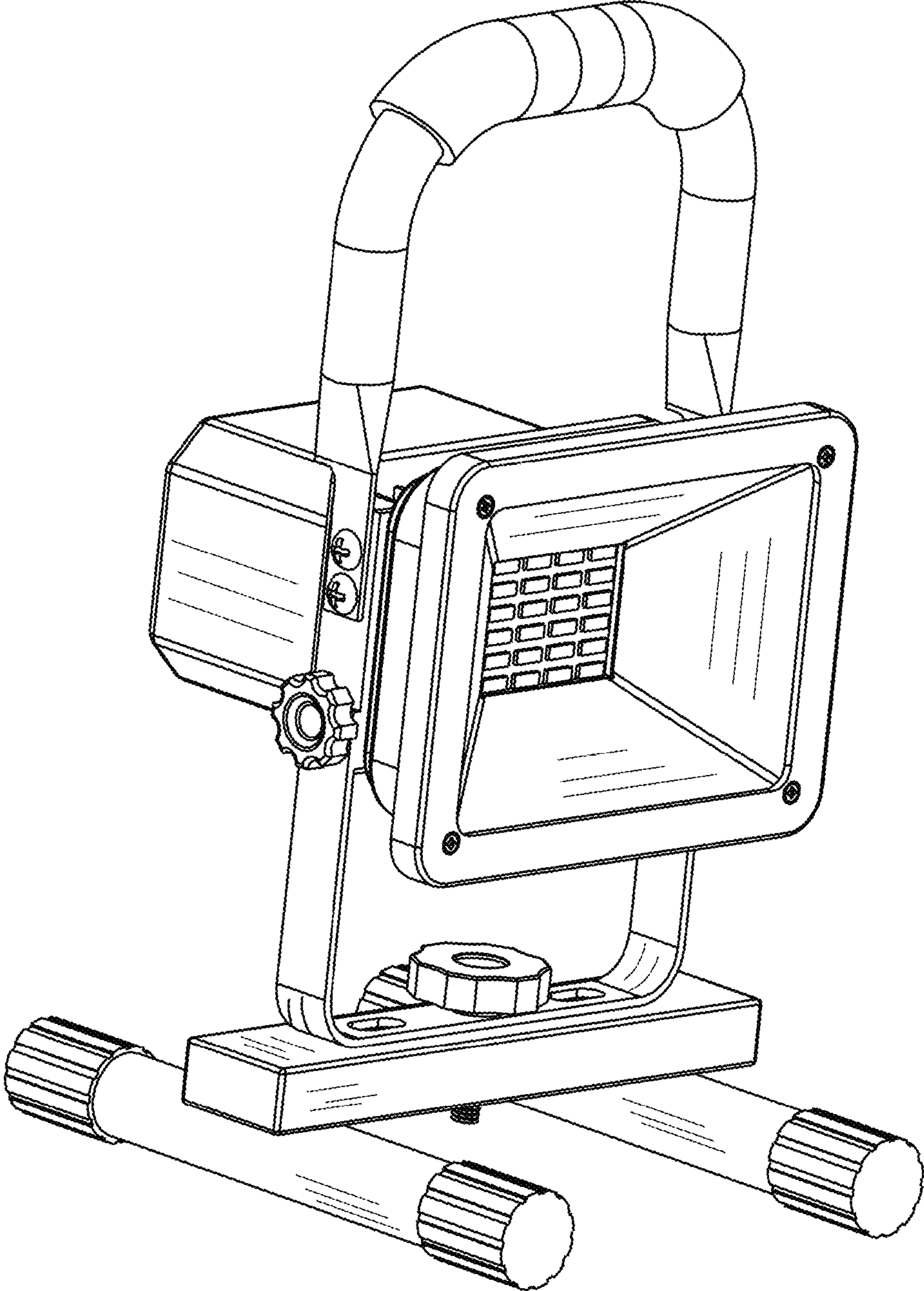


FIG. 1

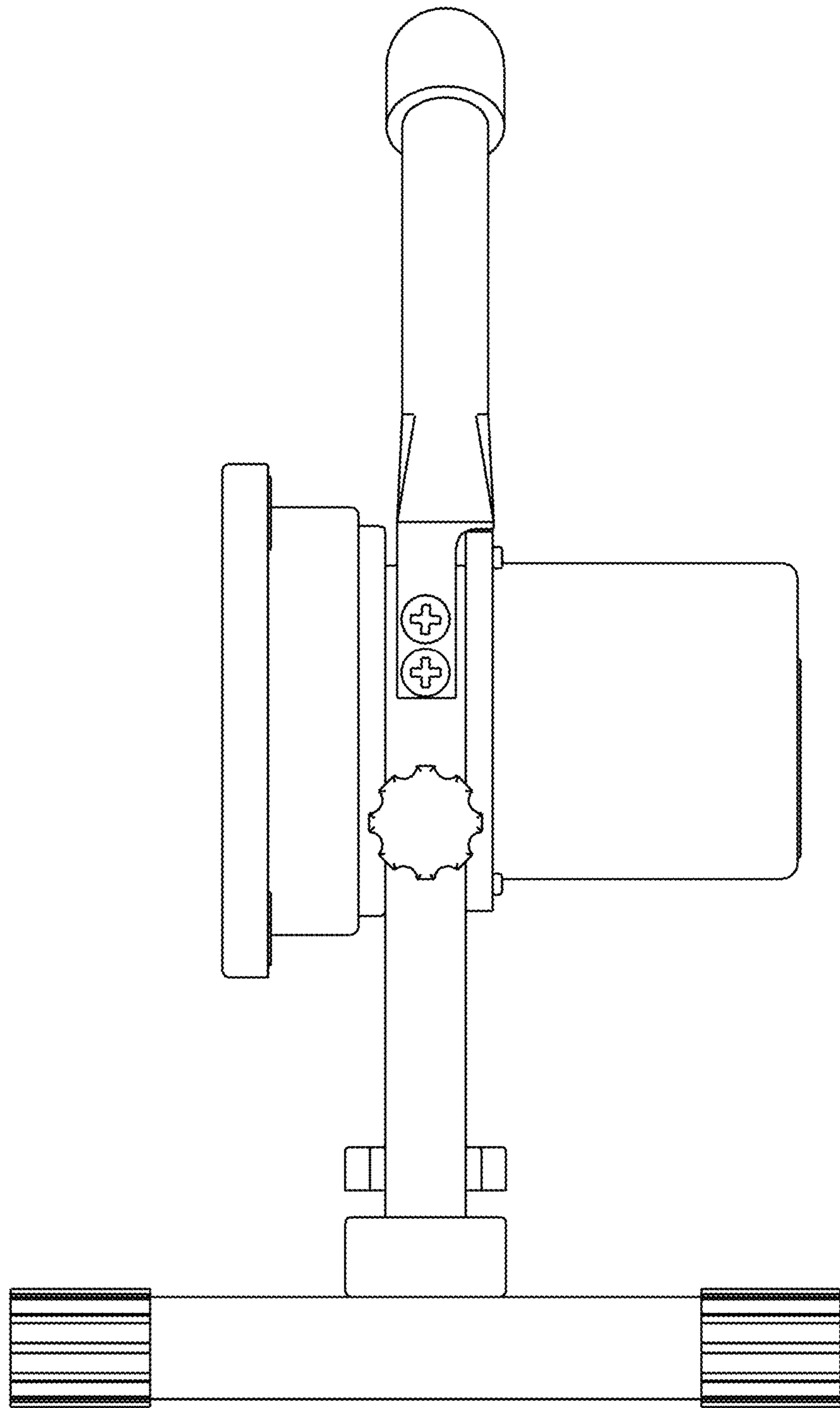


FIG. 2

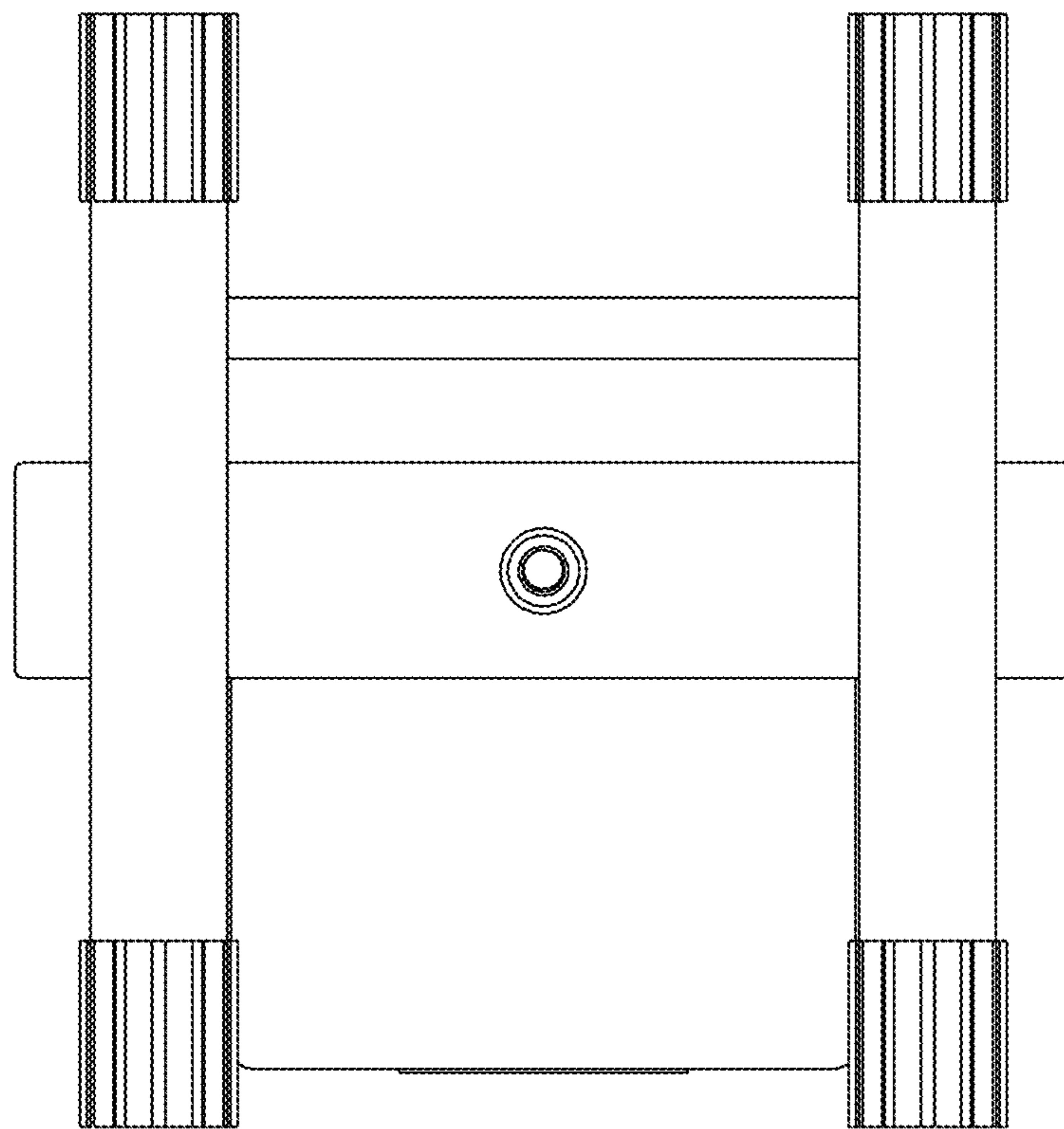


FIG. 3

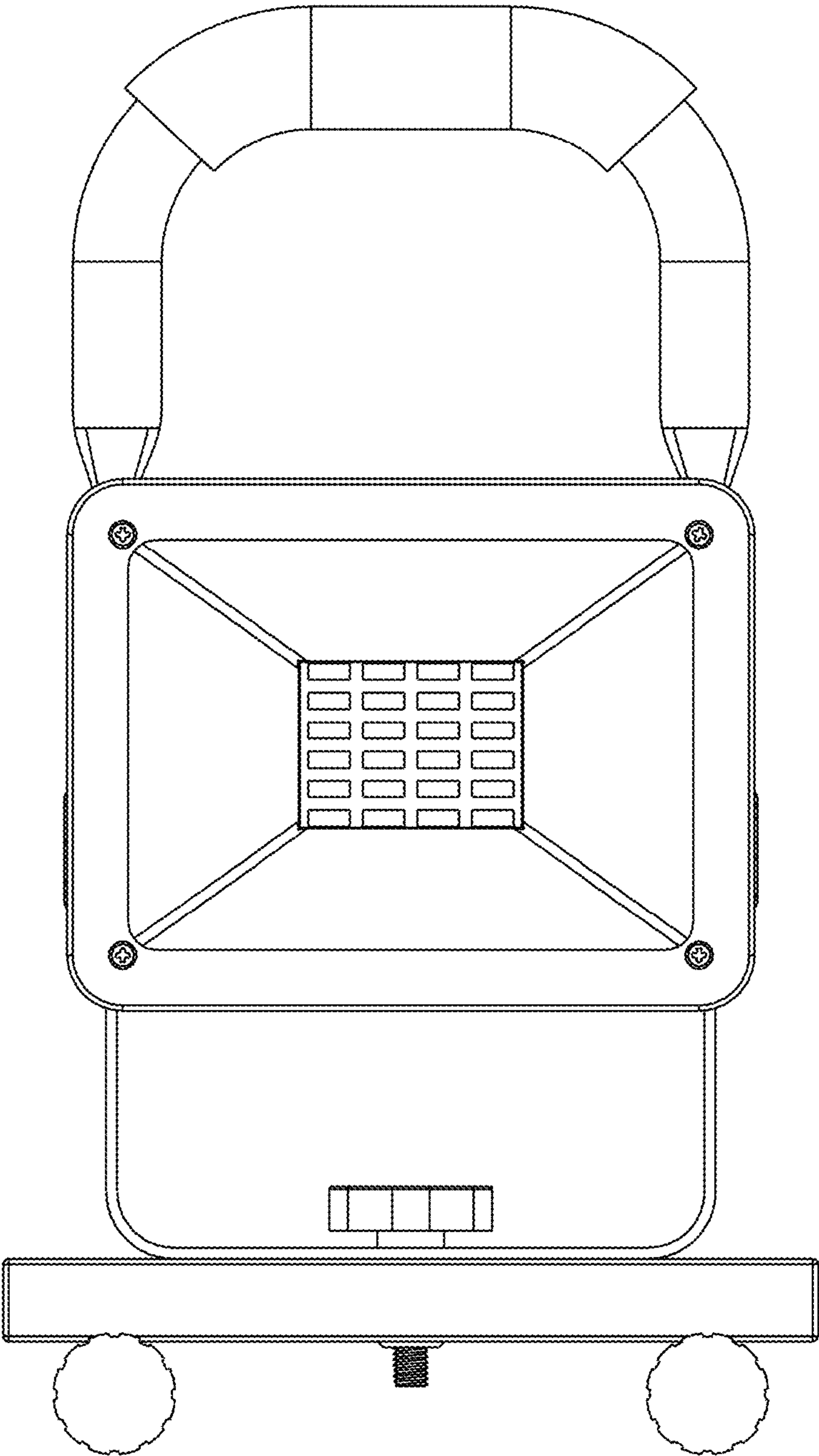


FIG. 4



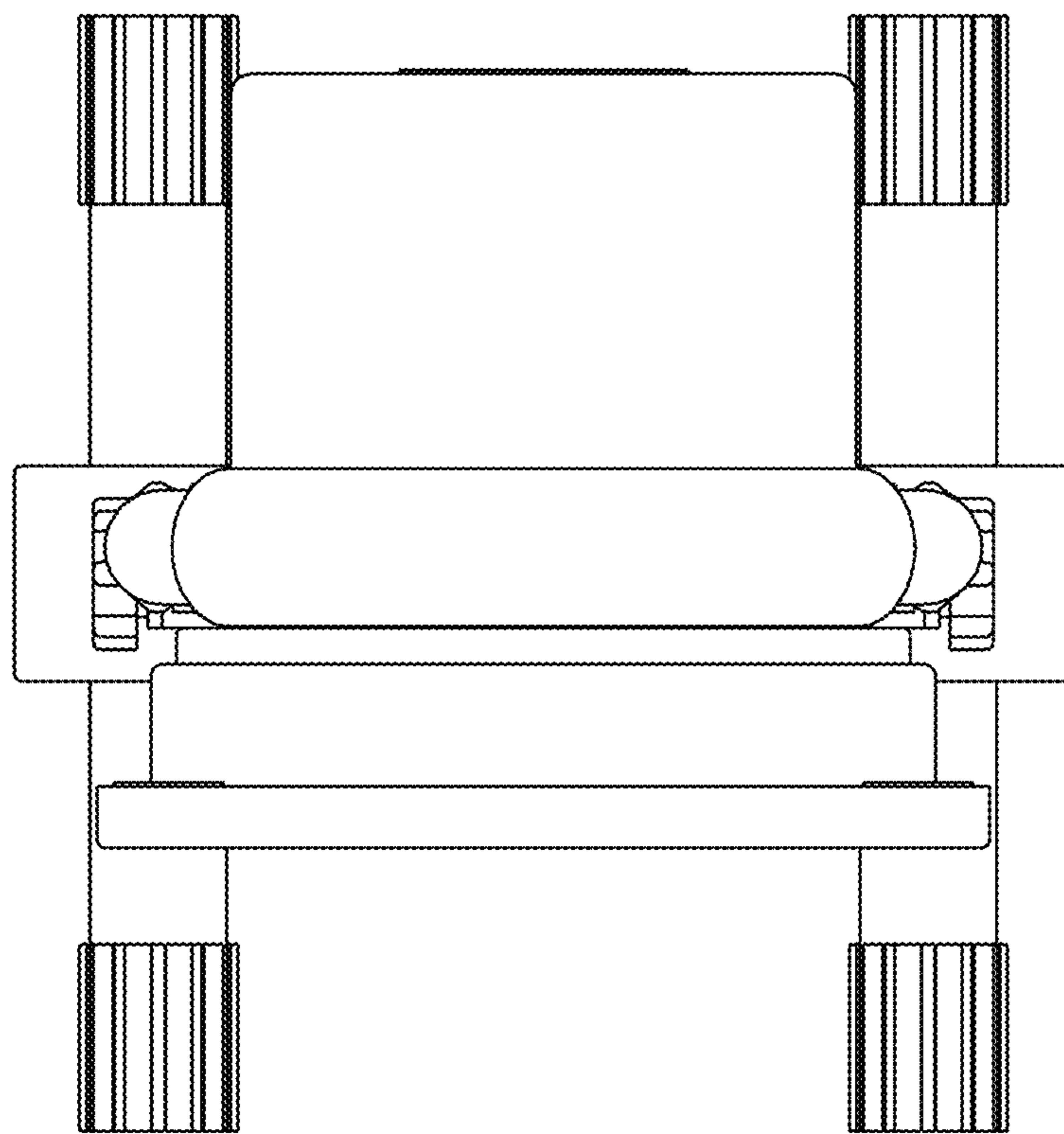


FIG. 5

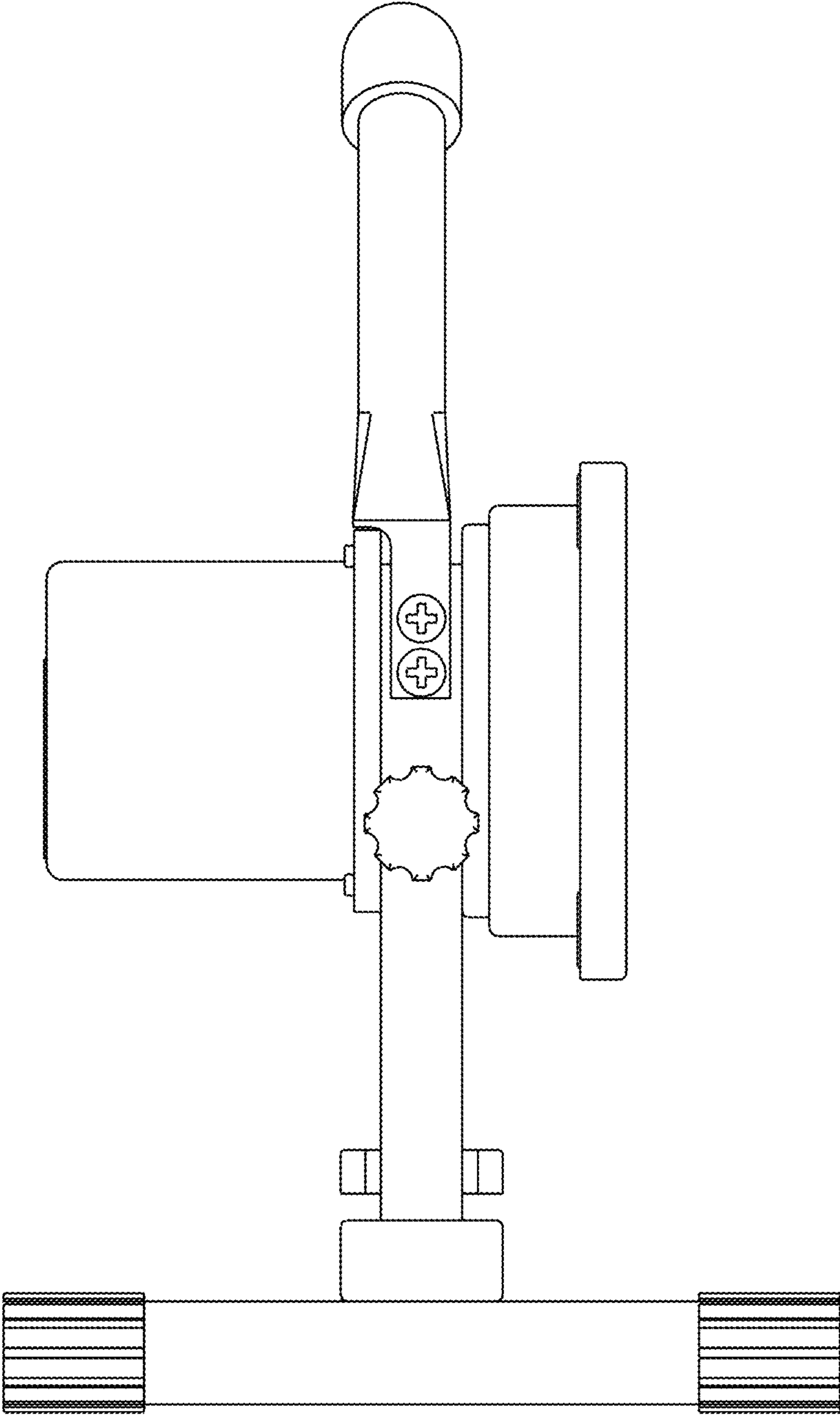


FIG. 6

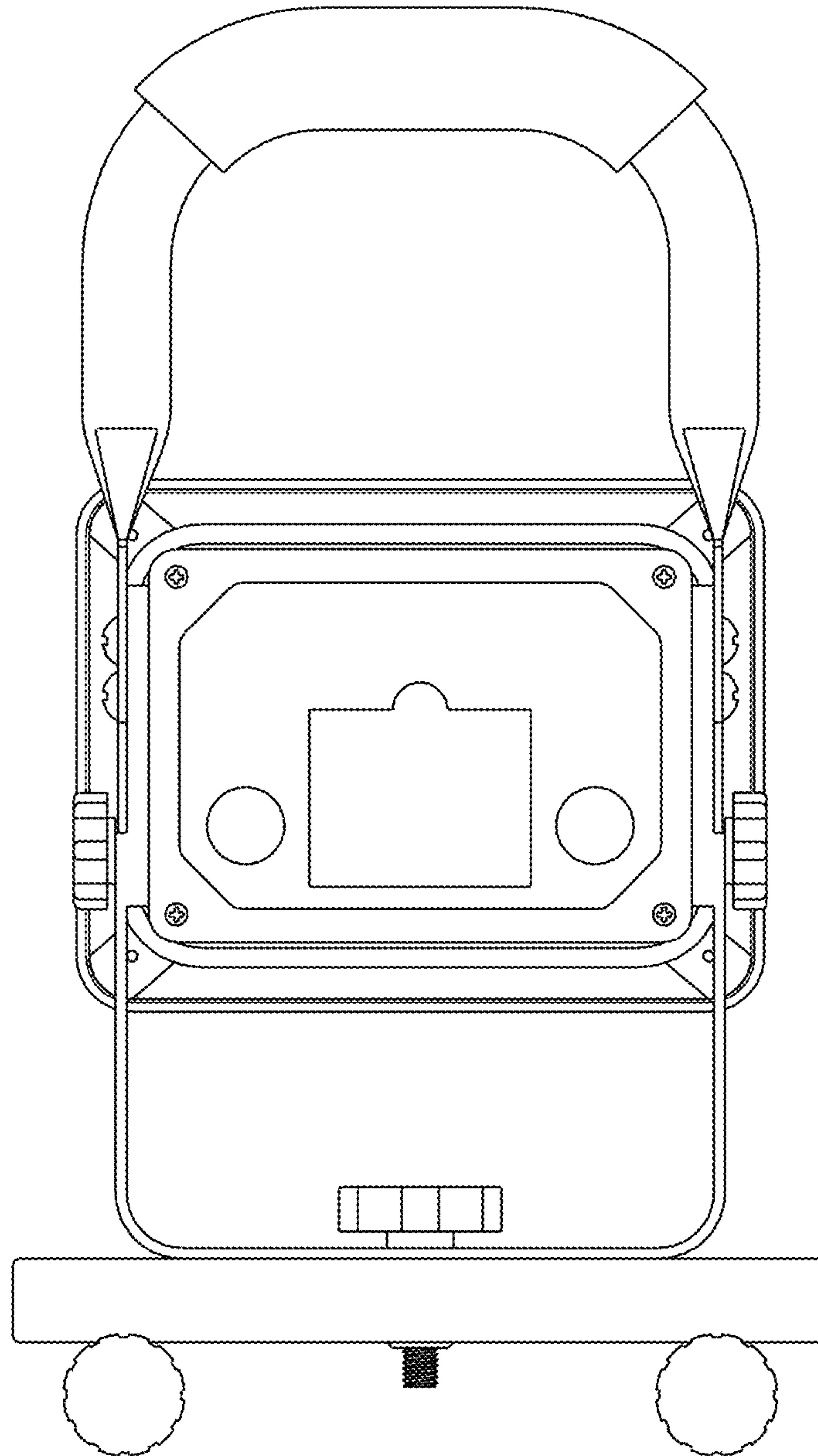


FIG. 7