



US00D796715S

(12) **United States Design Patent** (10) **Patent No.:** **US D796,715 S**  
**Lin** (45) **Date of Patent:** **\*\* Sep. 5, 2017**

(54) **VEHICLE HEADLIGHT**

(56) **References Cited**

(71) Applicant: **KUEN HWA TRAFFIC INDUSTRIAL CO., LTD.**, Tainan (TW)

(72) Inventor: **Yung-Hsiang Lin**, Tainan (TW)

(73) Assignee: **Kuen Hwa Traffic Industrial Co., Ltd.**, Tainan (TW)

(\*\*) Term: **15 Years**

(21) Appl. No.: **29/569,762**

(22) Filed: **Jun. 30, 2016**

(51) **LOC (10) Cl.** ..... **26-06**

(52) **U.S. Cl.**  
USPC ..... **D26/28**

(58) **Field of Classification Search**  
USPC ..... D26/28-36; 362/80-83, 267-269, 362/459-468, 475-478, 485-487  
CPC ..... F21S 48/00; F21S 48/10; F21S 48/115; F21S 48/1233; F21S 48/1266; F21S 48/1388; F21S 48/2268; F21V 21/04; B60Q 9/13; B60Q 9/135; B60Q 9/1375  
See application file for complete search history.

U.S. PATENT DOCUMENTS

D707,865 S *	6/2014	Yoshida	.....	D26/28
D728,133 S *	4/2015	Bieling	.....	D26/28
D744,129 S *	11/2015	Futschik	.....	D26/28
D745,726 S *	12/2015	McMahan	.....	D26/28
D747,515 S *	1/2016	McMahan	.....	D26/28
D752,254 S *	3/2016	Futschik	.....	D26/28
D752,255 S *	3/2016	Futschik	.....	D26/28

\* cited by examiner

*Primary Examiner* — Marcus Jackson

(74) *Attorney, Agent, or Firm* — Rosenberg, Klein & Lee

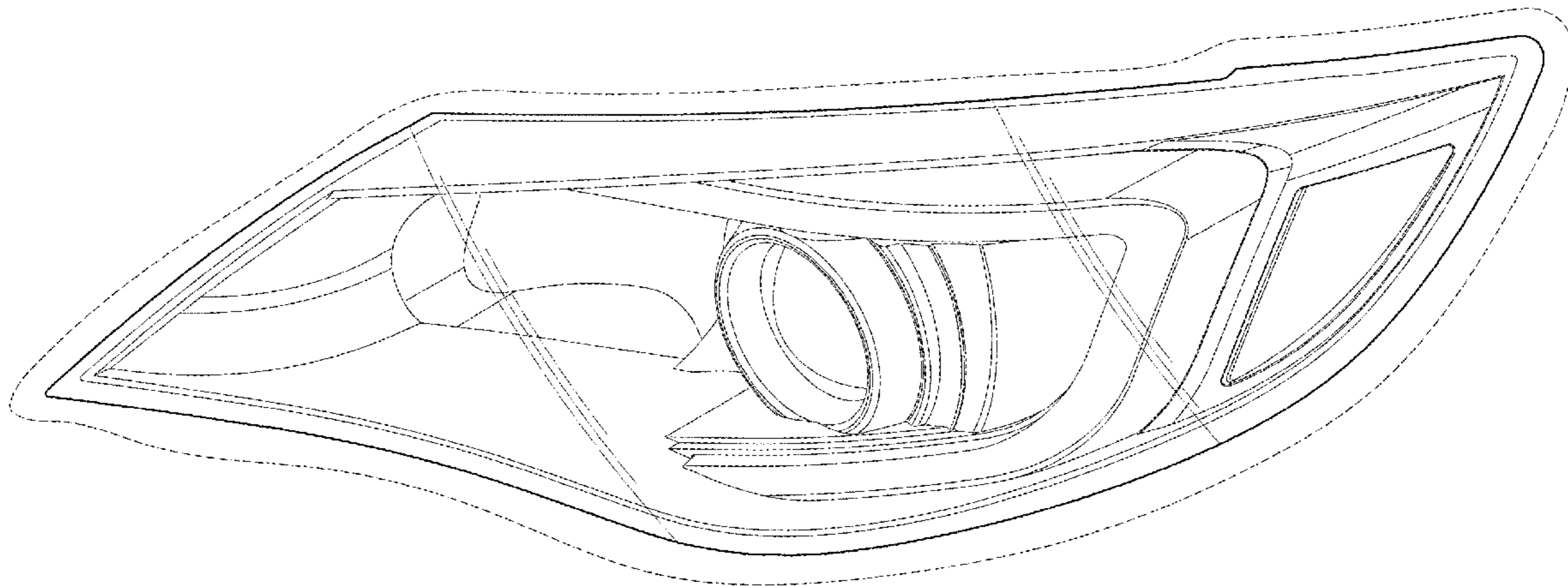
(57) **CLAIM**

The ornamental design for a vehicle headlight, as shown and described.

**DESCRIPTION**

FIG. 1 is a perspective view of a vehicle headlight showing my present design; FIG. 2 is a front view thereof; FIG. 3 is a right view thereof; FIG. 4 is a top plan view thereof; and, FIG. 5 is another perspective view thereof. The broken lines in the drawings illustrate portions of the vehicle headlight which form no part of the claimed design.

**1 Claim, 5 Drawing Sheets**



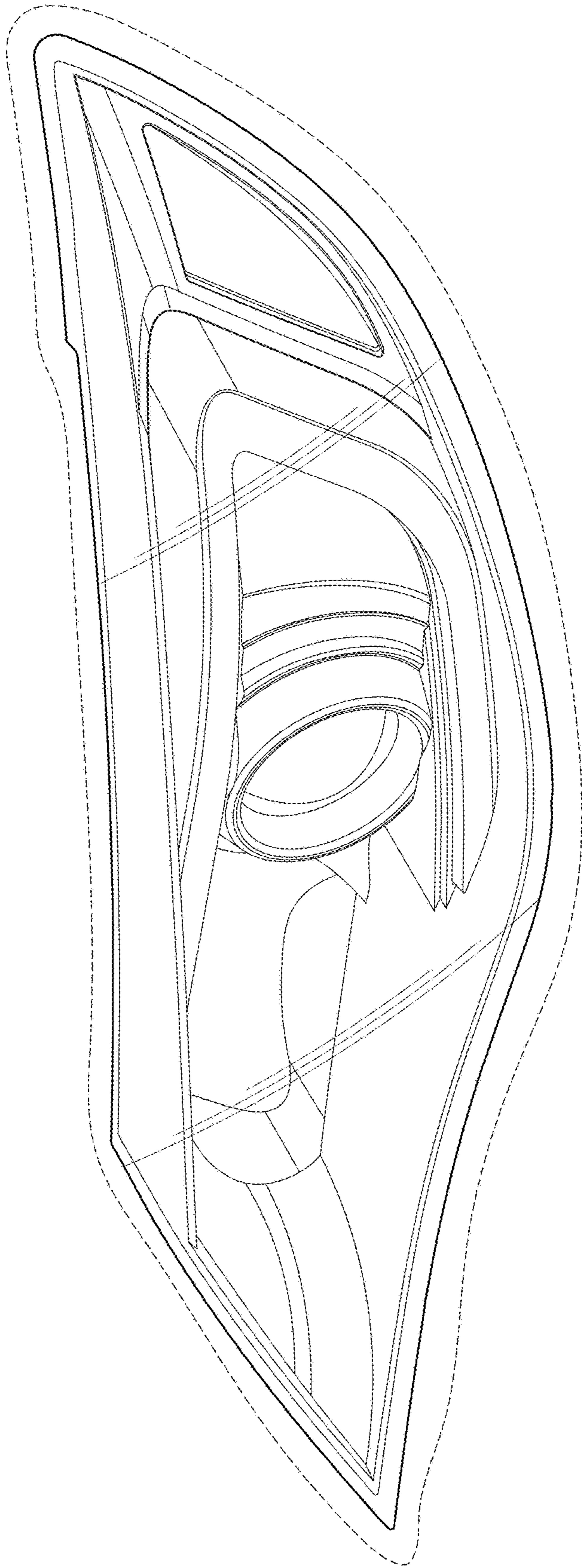


FIG. 1

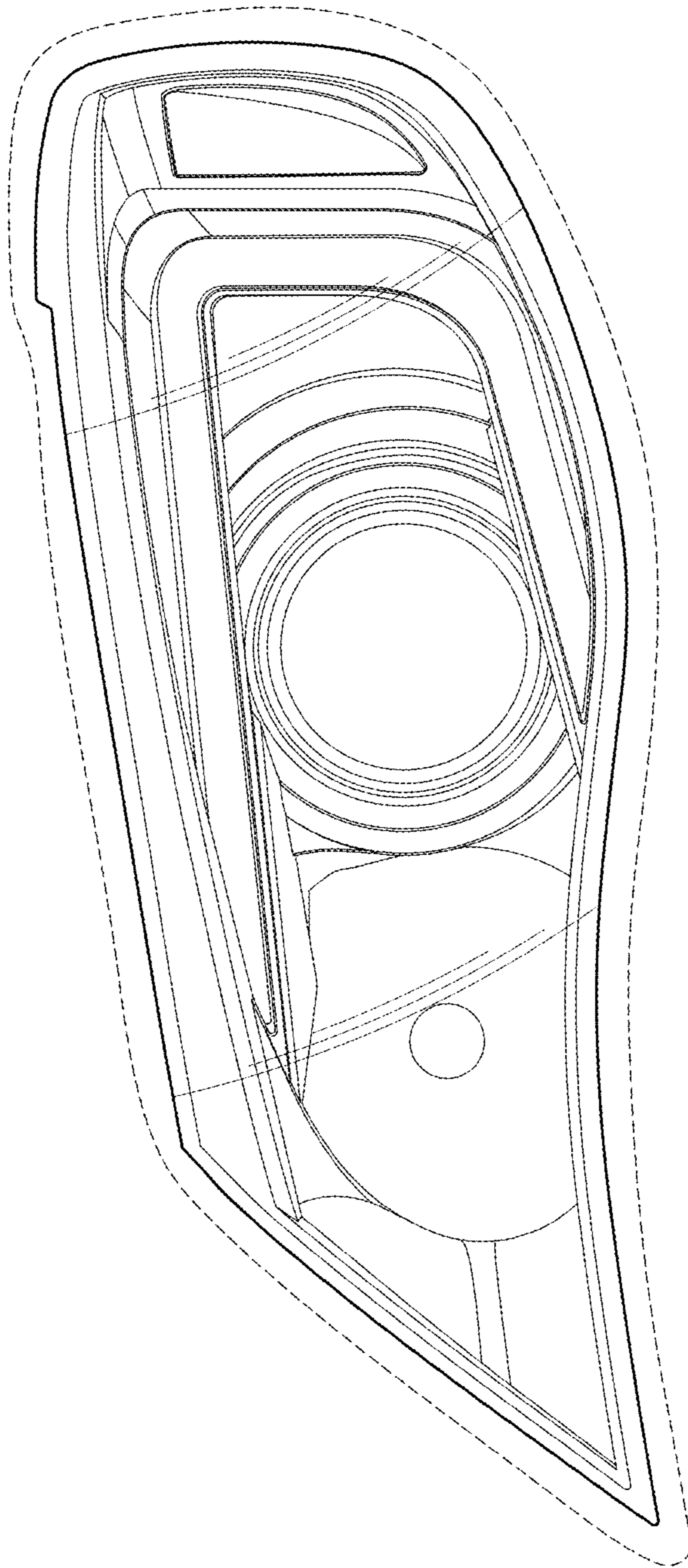


FIG. 2

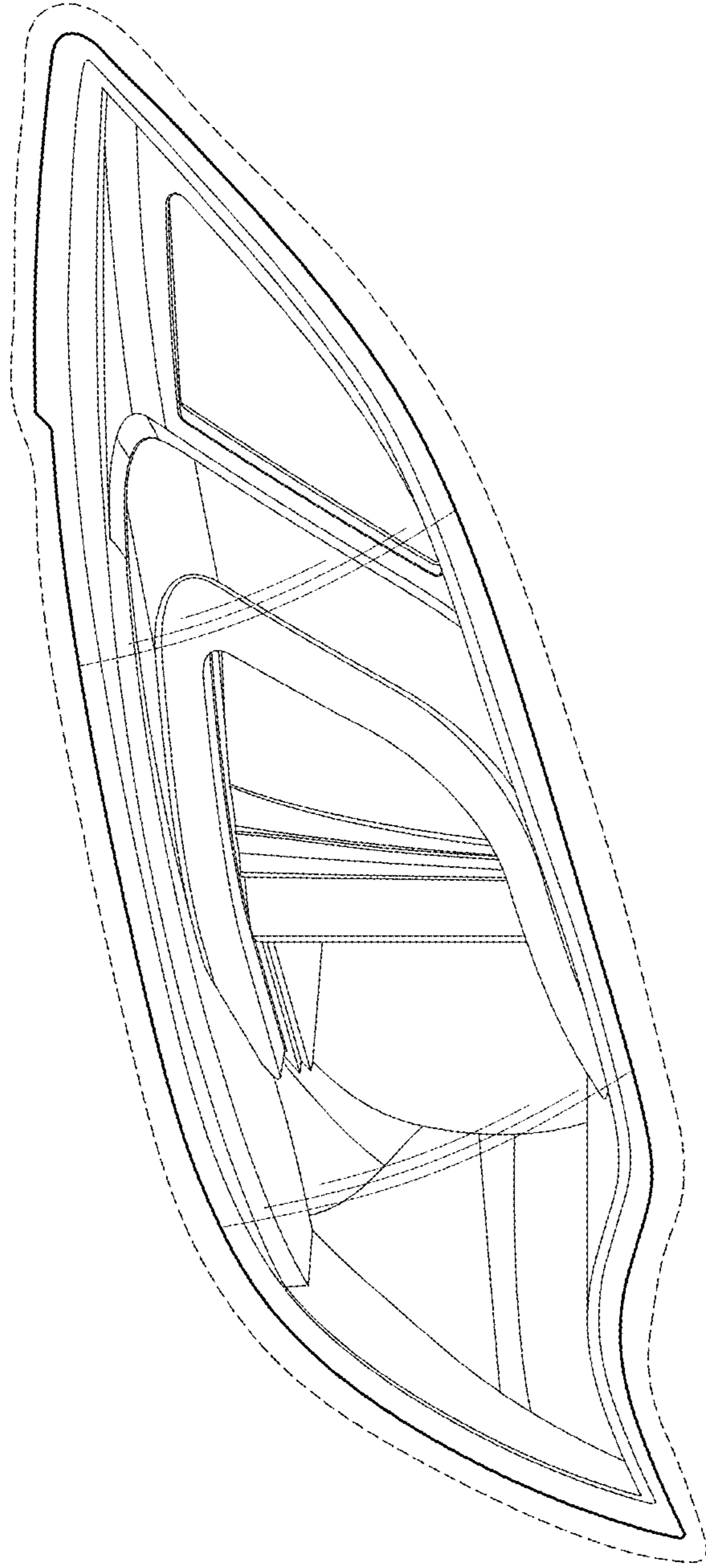


FIG. 3

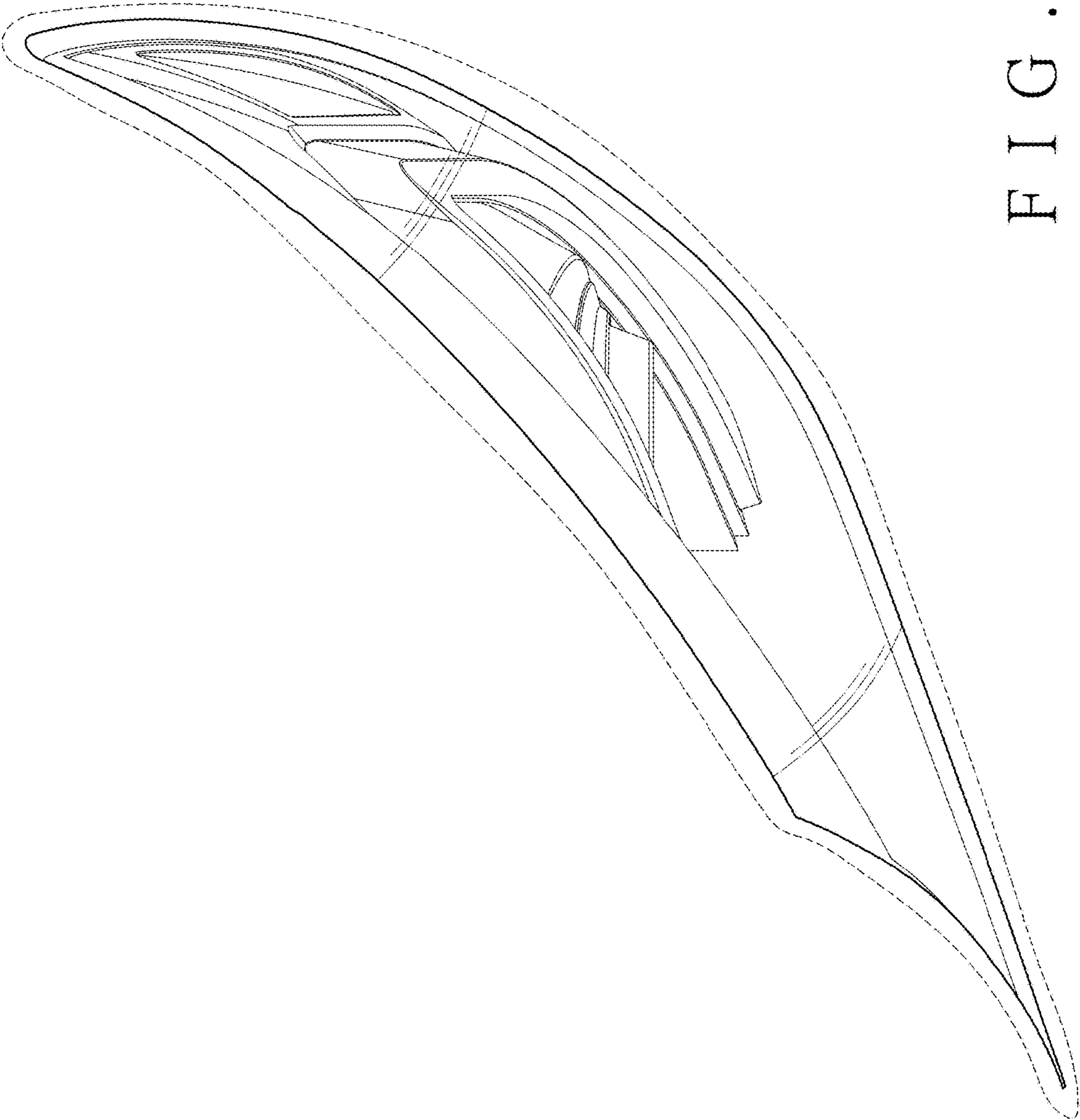


FIG. 4

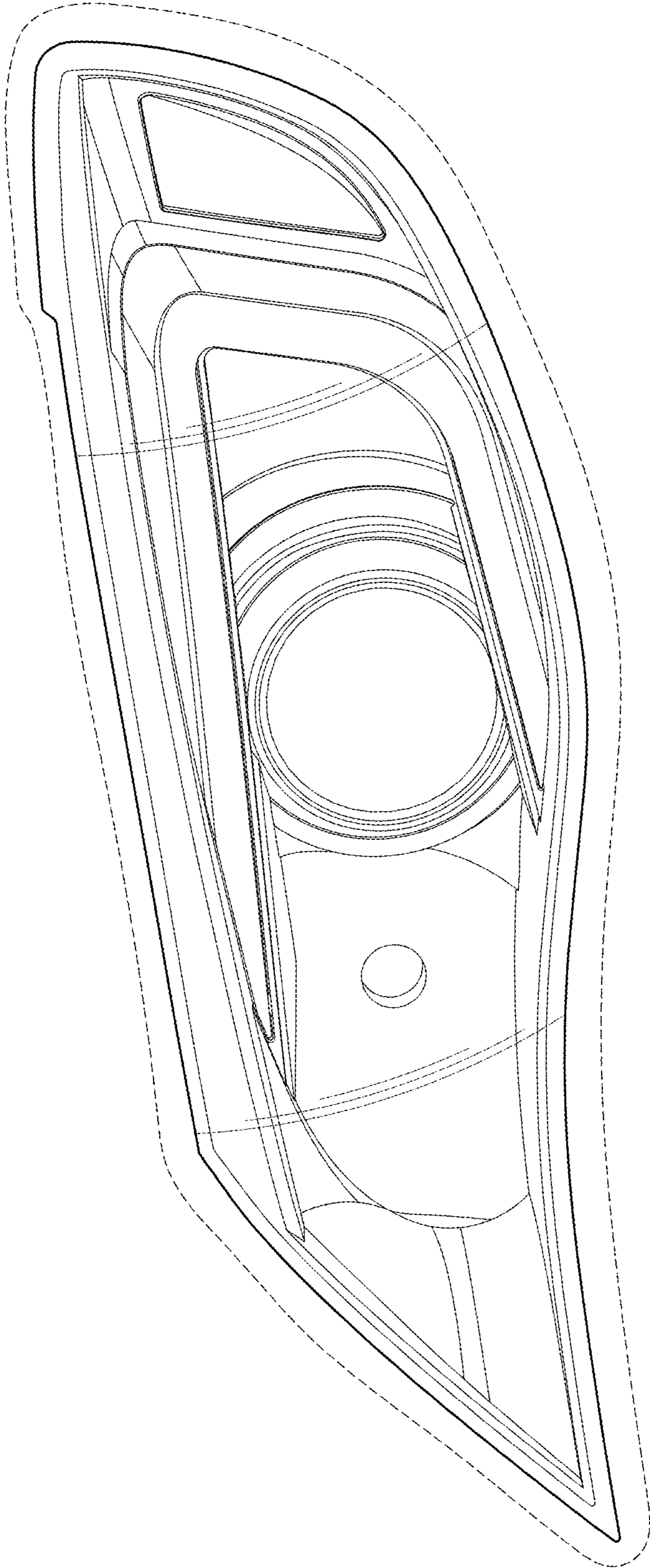


FIG. 5