

US00D796714S

(12) **United States Design Patent** (10) **Patent No.:** **US D796,714 S**
Zavatski et al. (45) **Date of Patent:** **** Sep. 5, 2017**

(54) **VEHICLE TAILLAMP**

- (71) Applicants: **Irina Zavatski**, Rochester Hills, MI (US); **Mark D Hall**, Rochester, MI (US)
- (72) Inventors: **Irina Zavatski**, Rochester Hills, MI (US); **Mark D Hall**, Rochester, MI (US)
- (73) Assignee: **FCA US LLC**, Auburn Hills, MI (US)
- (**) Term: **15 Years**
- (21) Appl. No.: **29/565,297**
- (22) Filed: **May 19, 2016**

Related U.S. Application Data

- (63) Continuation-in-part of application No. 29/549,067, filed on Dec. 18, 2015.
- (51) **LOC (10) Cl.** **26-06**
- (52) **U.S. Cl.**
USPC **D26/28**
- (58) **Field of Classification Search**
USPC D26/28-36; 362/80-83, 267-269, 362/459-468, 475-478
CPC F21S 48/00; F21S 48/10; F21S 48/115; F21S 48/1233; F21S 48/1266; F21S 48/1388; F21S 48/2268; F21V 21/04; B60Q 9/13; B60Q 9/135; B60Q 9/1375
See application file for complete search history.

(56) **References Cited**

U.S. PATENT DOCUMENTS

D552,769	S	*	10/2007	Leclercq	D26/28
D553,268	S	*	10/2007	Pfeiffer	D26/28
D560,292	S	*	1/2008	Sato	D26/28
D561,357	S	*	2/2008	Leclercq	D26/28
D565,211	S	*	3/2008	Haller	D26/28
D574,524	S	*	8/2008	Tomatsu	D26/28
D605,793	S	*	12/2009	Weil	D26/28

* cited by examiner

Primary Examiner — Marcus Jackson

(74) *Attorney, Agent, or Firm* — Ralph E Smith

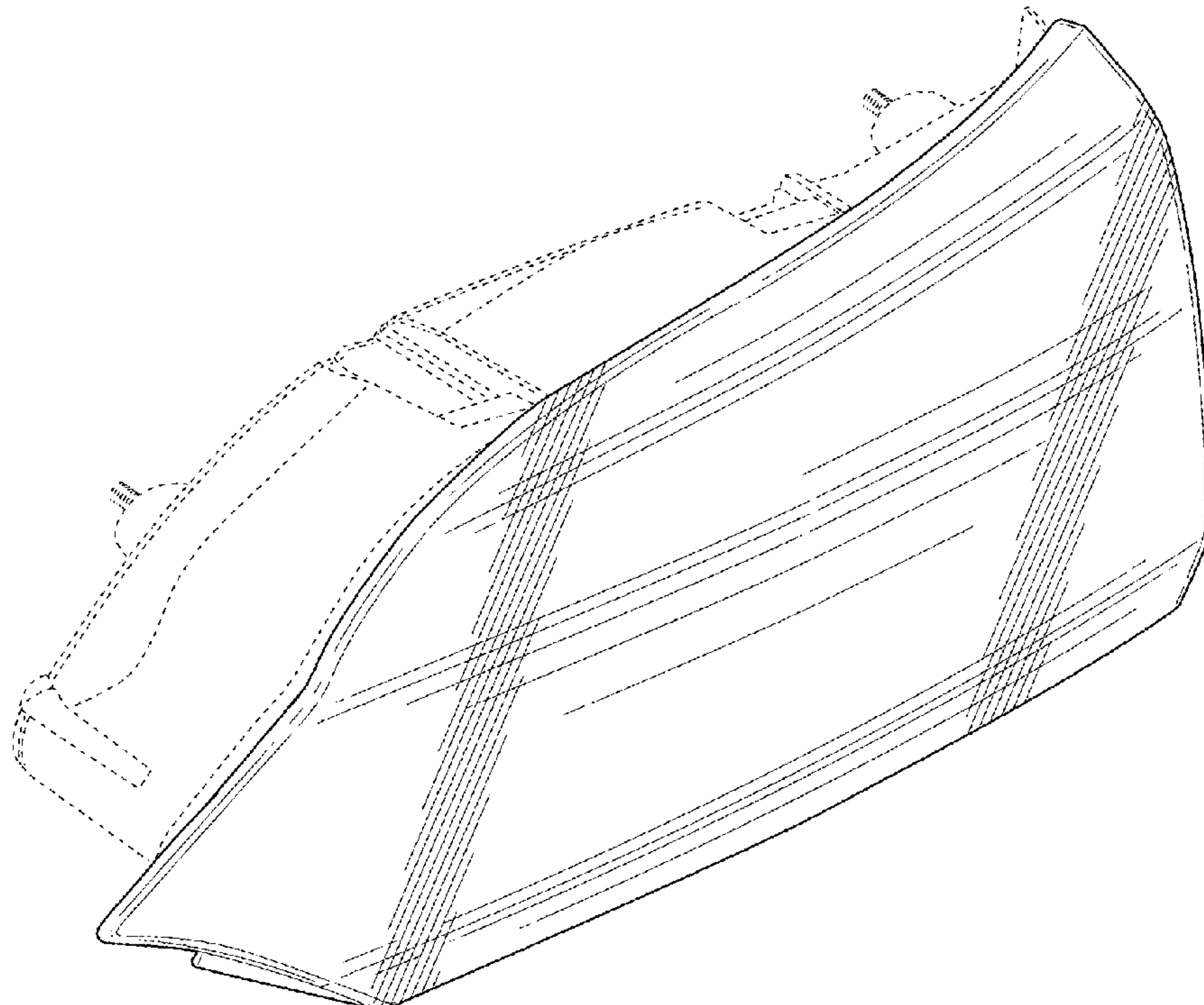
(57) **CLAIM**

The ornamental design for a vehicle taillamp, as shown and described.

DESCRIPTION

FIG. 1 is an outer perspective view of vehicle taillamp showing our new design;
 FIG. 2 is a front view thereof;
 FIG. 3 is a back view thereof;
 FIG. 4 is a top view thereof;
 FIG. 5 is a bottom view thereof; and,
 FIG. 6 is a side view.
 It will be understood that the broken lines shown in the drawings illustrate portions of the vehicle taillamp that form no part of claimed design.

1 Claim, 6 Drawing Sheets



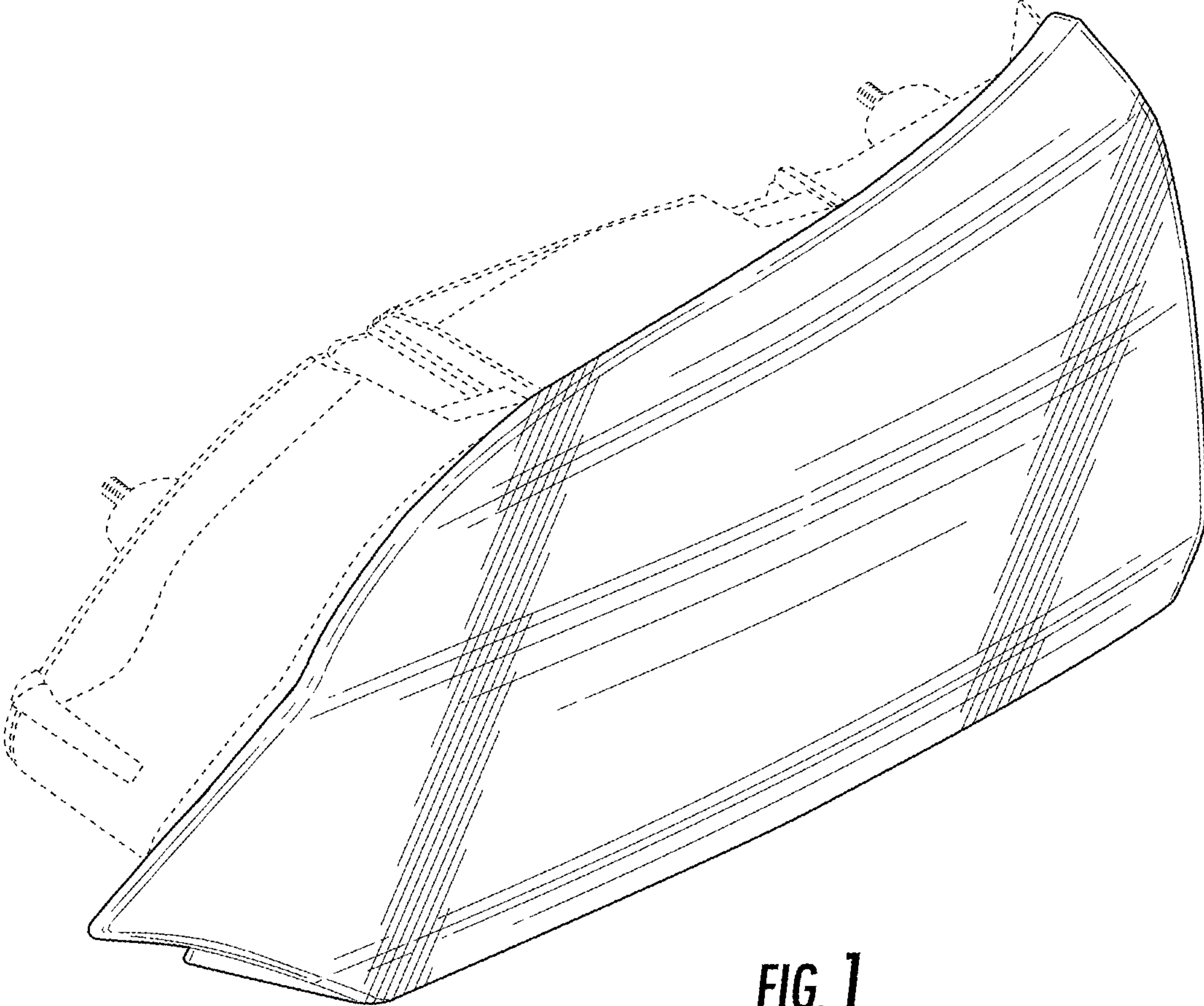


FIG. 1

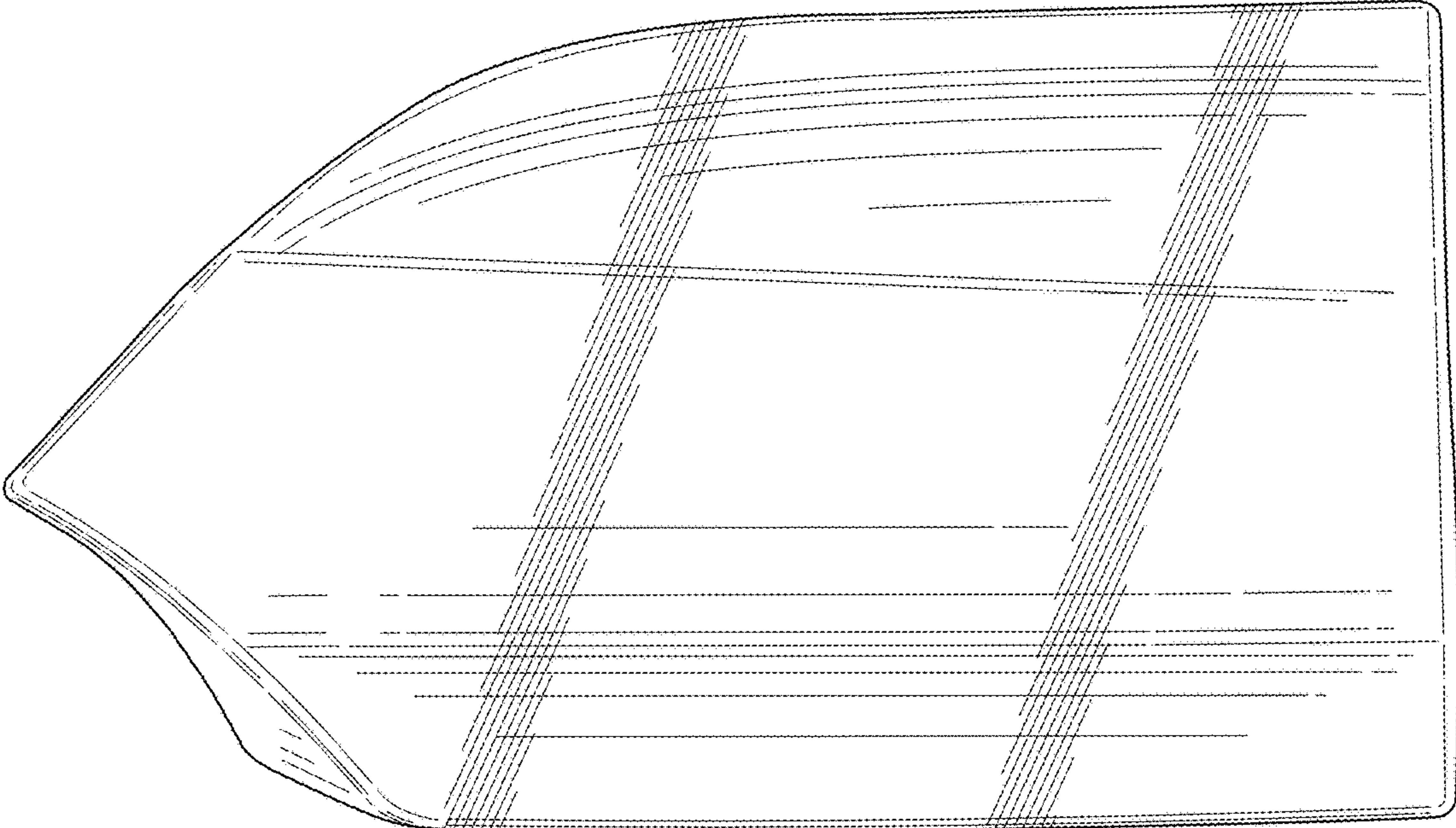


FIG. 2

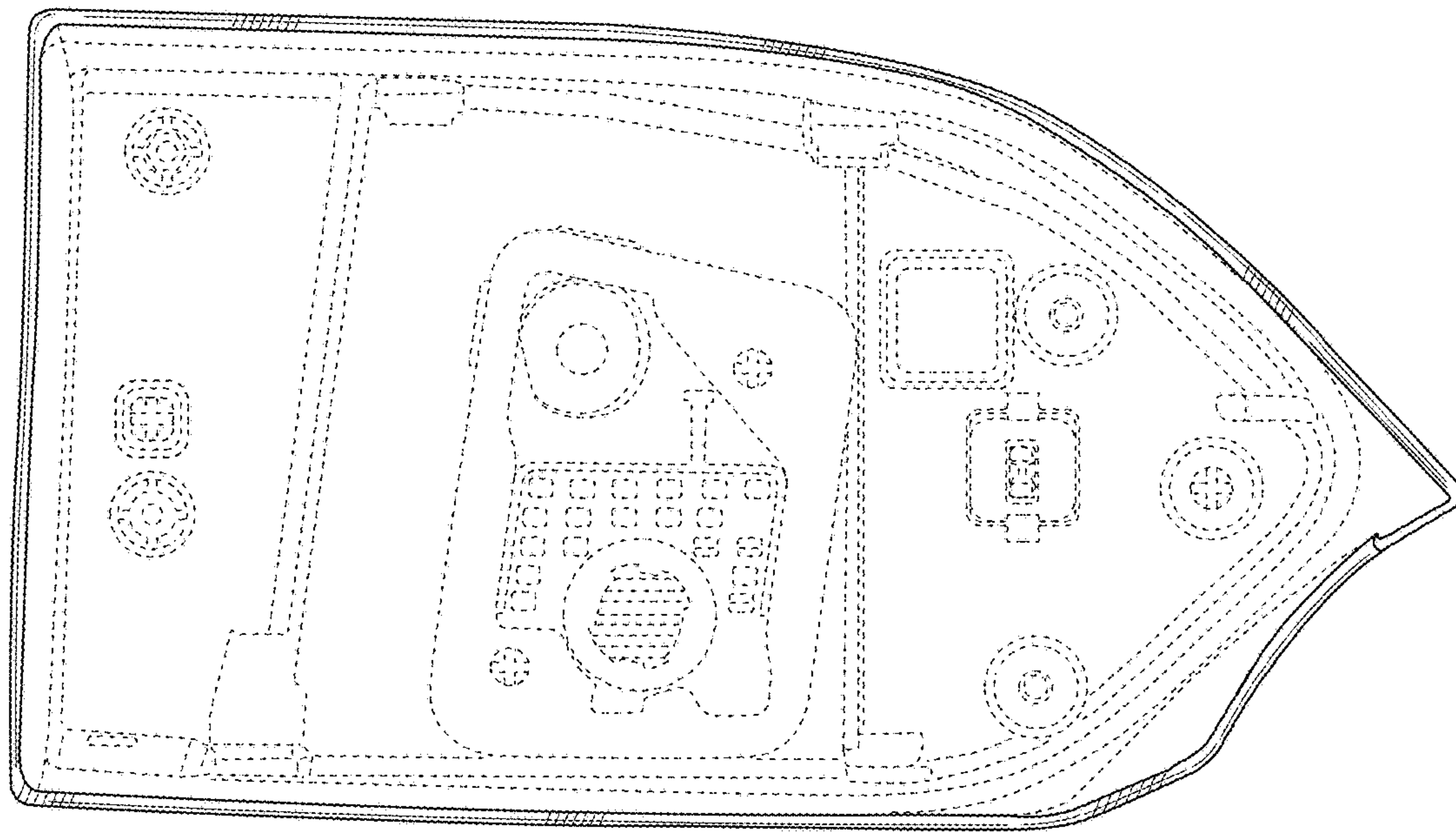


FIG. 3

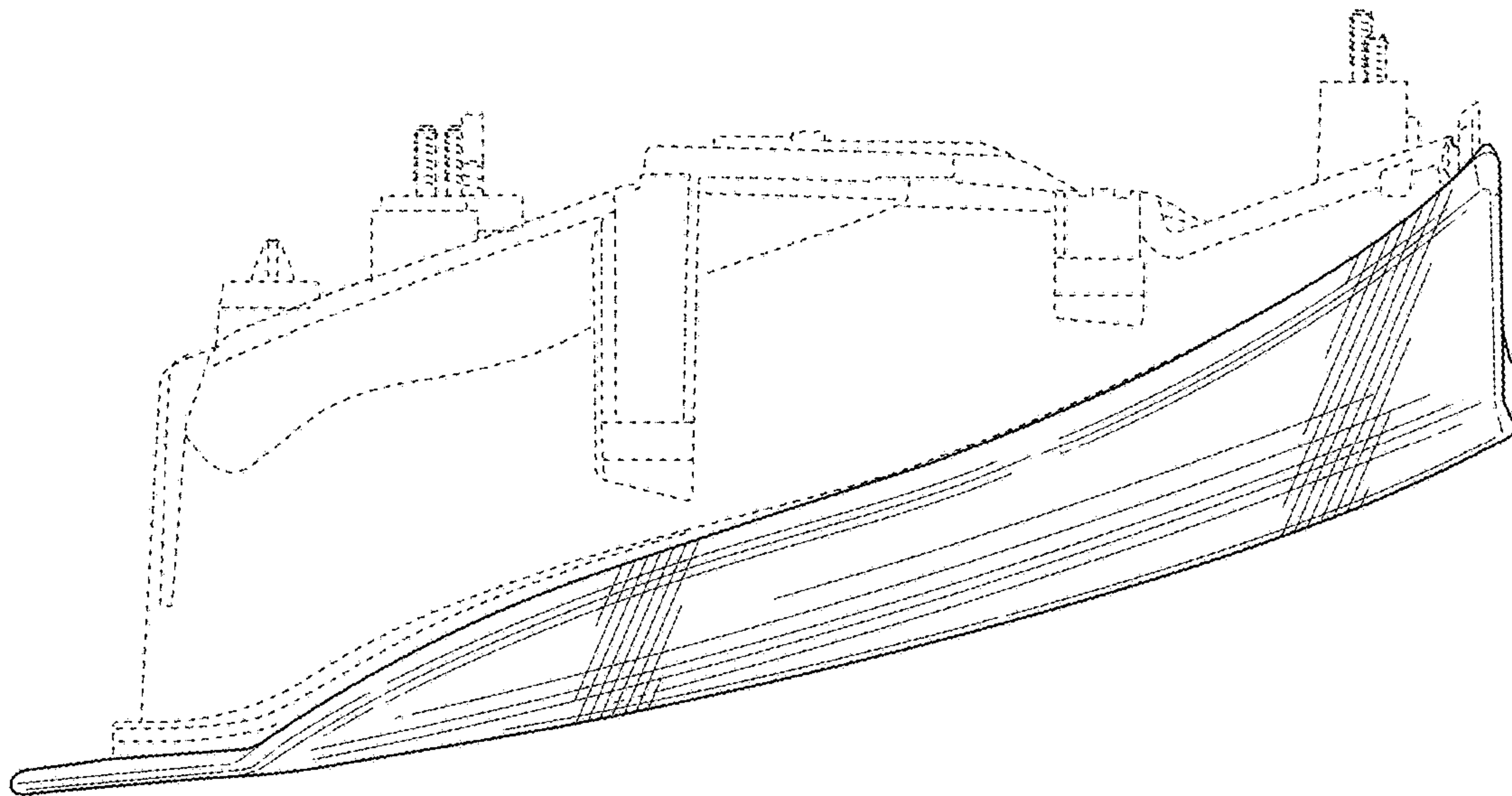


FIG. 4

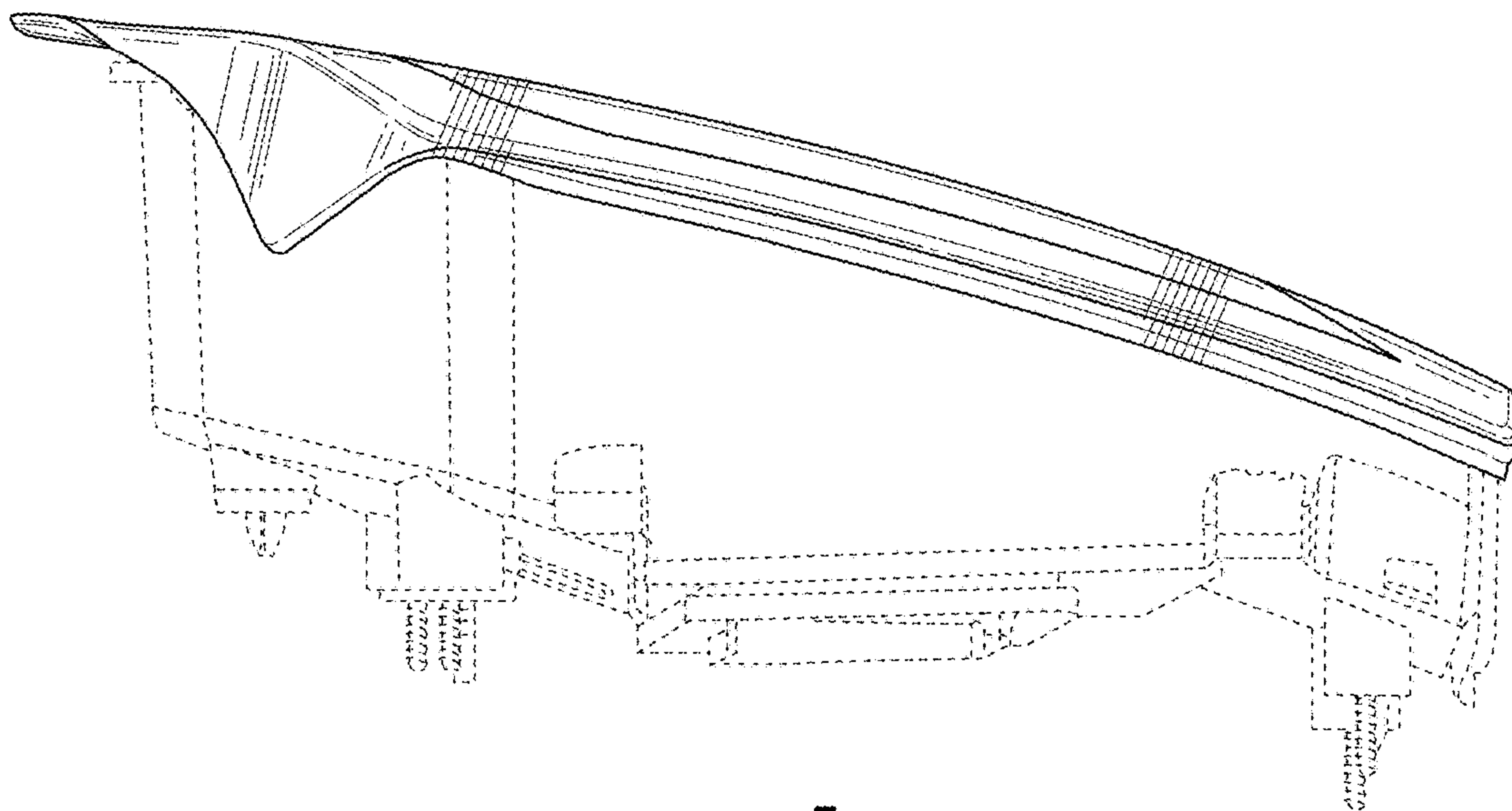


FIG. 5

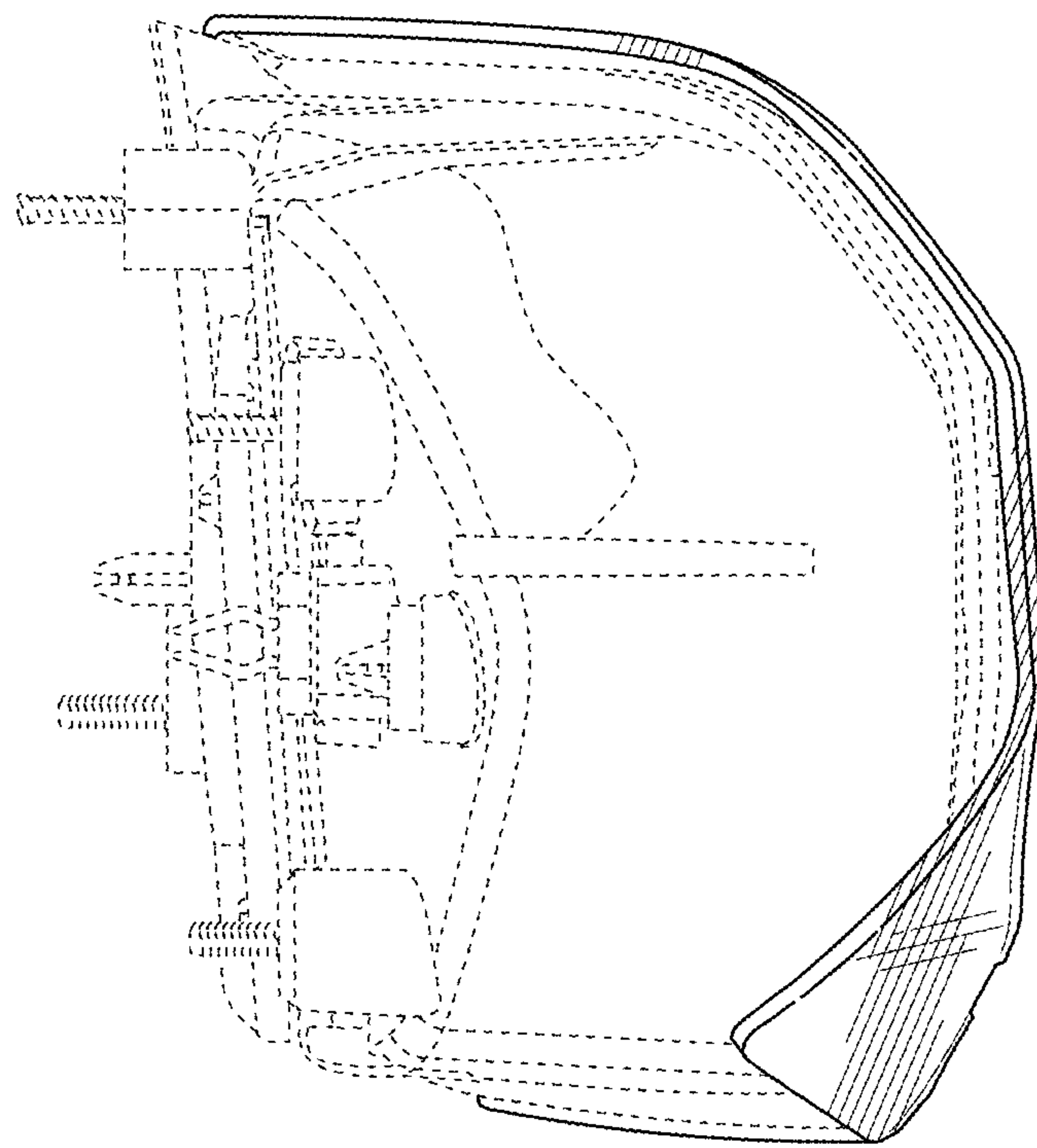


FIG. 6