



US00D796704S

(12) **United States Design Patent** (10) **Patent No.:** **US D796,704 S**
Xie (45) **Date of Patent:** **** Sep. 5, 2017**

(54) **SPACE-SAVING SLIM LED BULB**

D669,610 S * 10/2012 Yamamoto D26/2
 D669,611 S * 10/2012 Yamamoto D26/2
 D671,235 S * 11/2012 Yamamoto D26/2
 D671,236 S * 11/2012 Yamamoto D26/2

(71) Applicant: **Lidong Xie**, Ningbo (CN)

(72) Inventor: **Lidong Xie**, Ningbo (CN)

* cited by examiner

(**) Term: **15 Years**

Primary Examiner — Marcus Jackson

(21) Appl. No.: **29/566,128**

(22) Filed: **May 27, 2016**

(51) **LOC (10) Cl.** **26-04**

(52) **U.S. Cl.**
USPC **D26/2**

(58) **Field of Classification Search**

USPC D26/1-4; 313/313, 315, 316, 317, 318,
 313/493; 315/52, 53, 56, 57, 58
 CPC F21K 9/13; F21K 9/135; F21K 9/1375;
 F21V 5/00; H01R 5/00; H01R 13/514;
 H01R 31/048; H01R 31/02; H01J 13/46;
 H01J 5/00; H01J 5/16; H01J 15/00; H01J
 5/48; H01J 5/50; H01J 19/54

See application file for complete search history.

(56) **References Cited**

U.S. PATENT DOCUMENTS

D543,644 S * 5/2007 Bembridge D26/2
 D628,311 S * 11/2010 Jiang D26/2

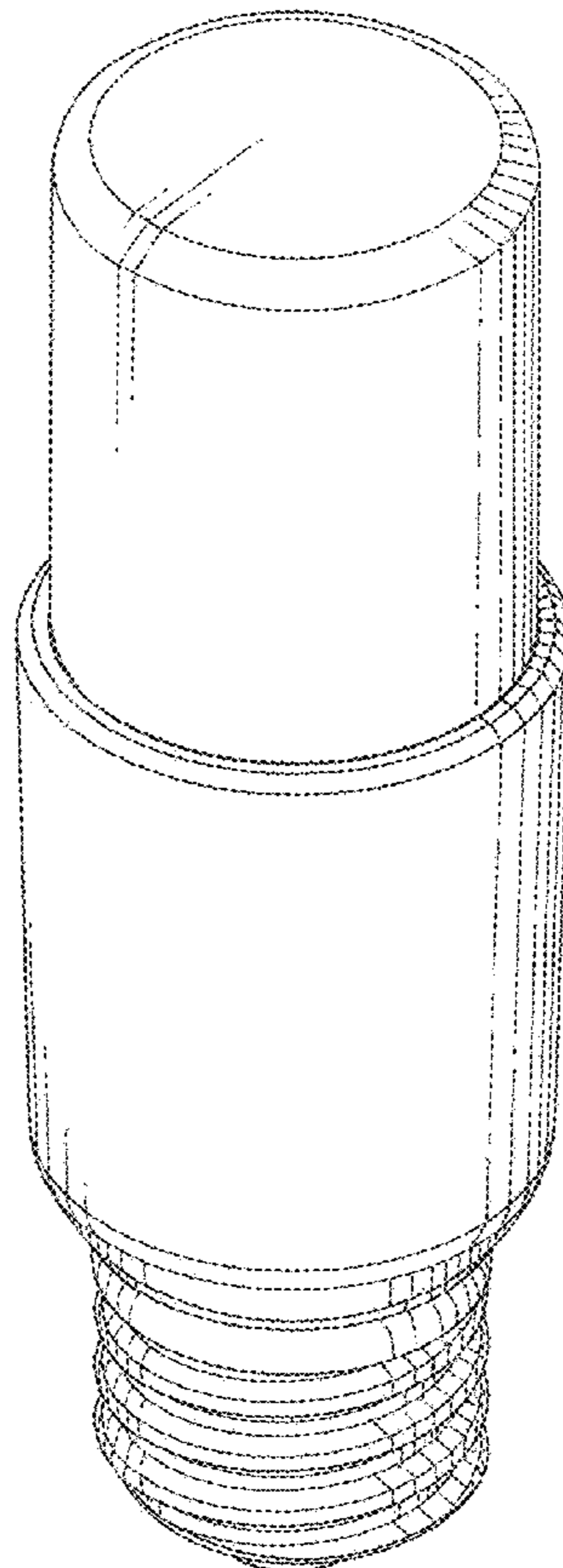
(57) **CLAIM**

I claim the ornamental design for a space-saving slim LED bulb, as shown and described.

DESCRIPTION

FIG. 1 is a perspective view of a space-saving slim LED bulb showing my new design;
 FIG. 2 is a front elevational view thereof;
 FIG. 3 is a rear elevational view thereof;
 FIG. 4 is a left elevational view thereof;
 FIG. 5 is a right elevational view thereof;
 FIG. 6 is a top elevational view thereof; and,
 FIG. 7 is a bottom elevational view thereof.

1 Claim, 6 Drawing Sheets



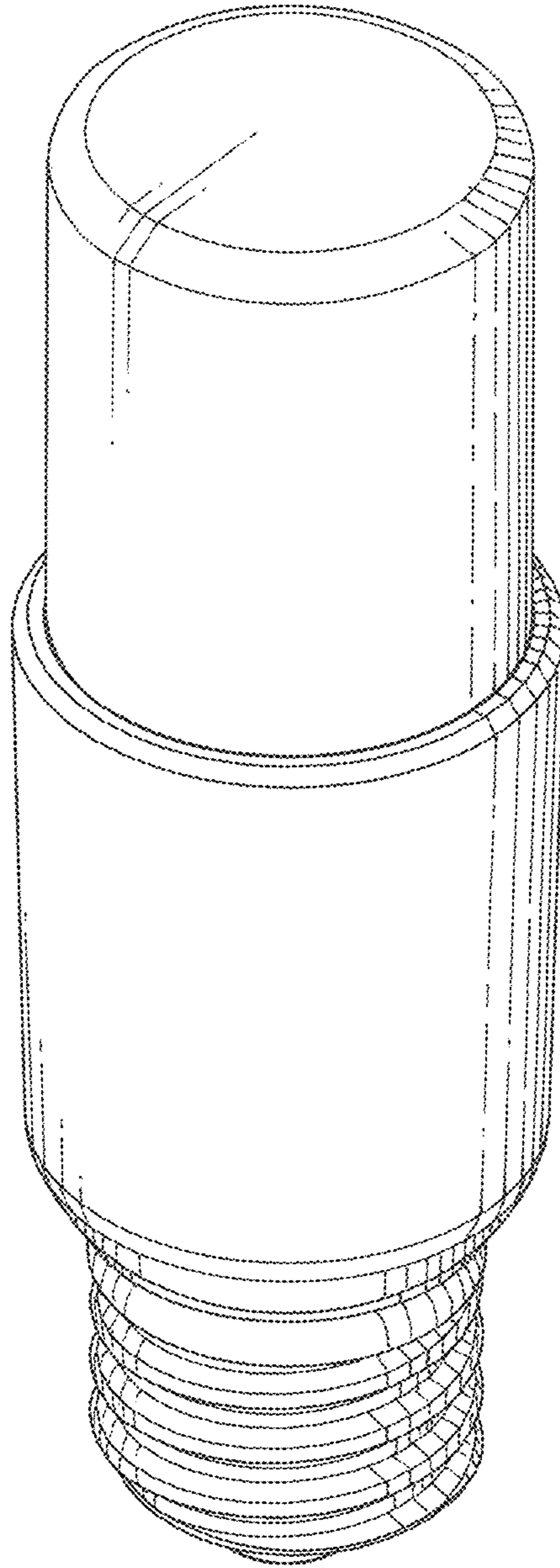


Fig. 1

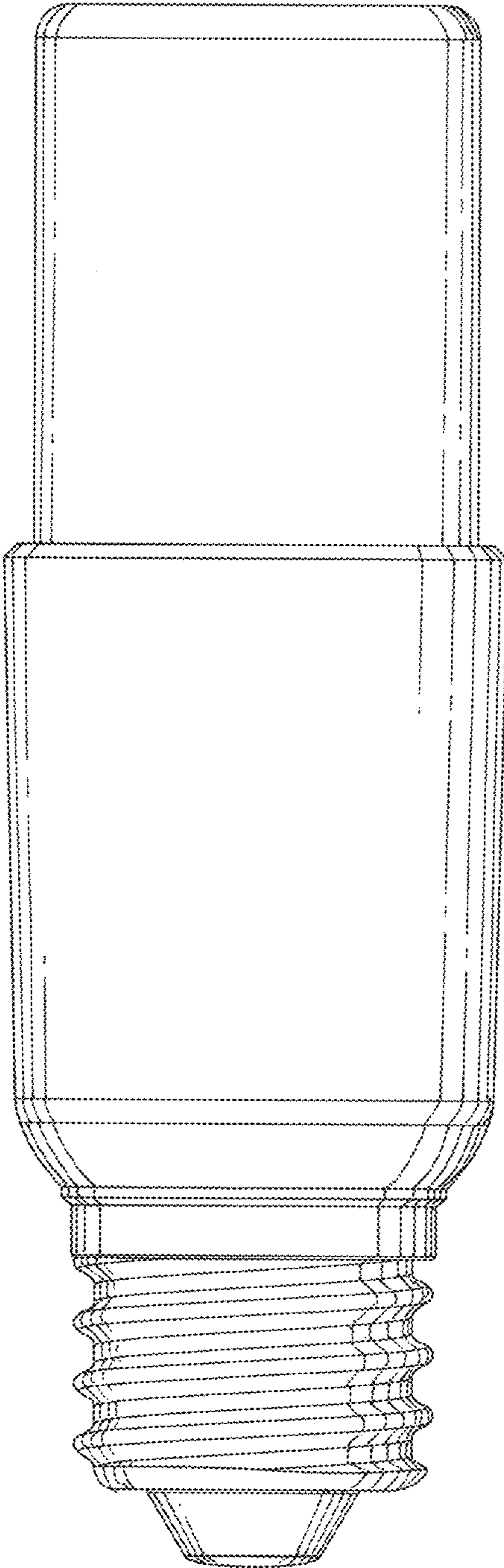


Fig.2

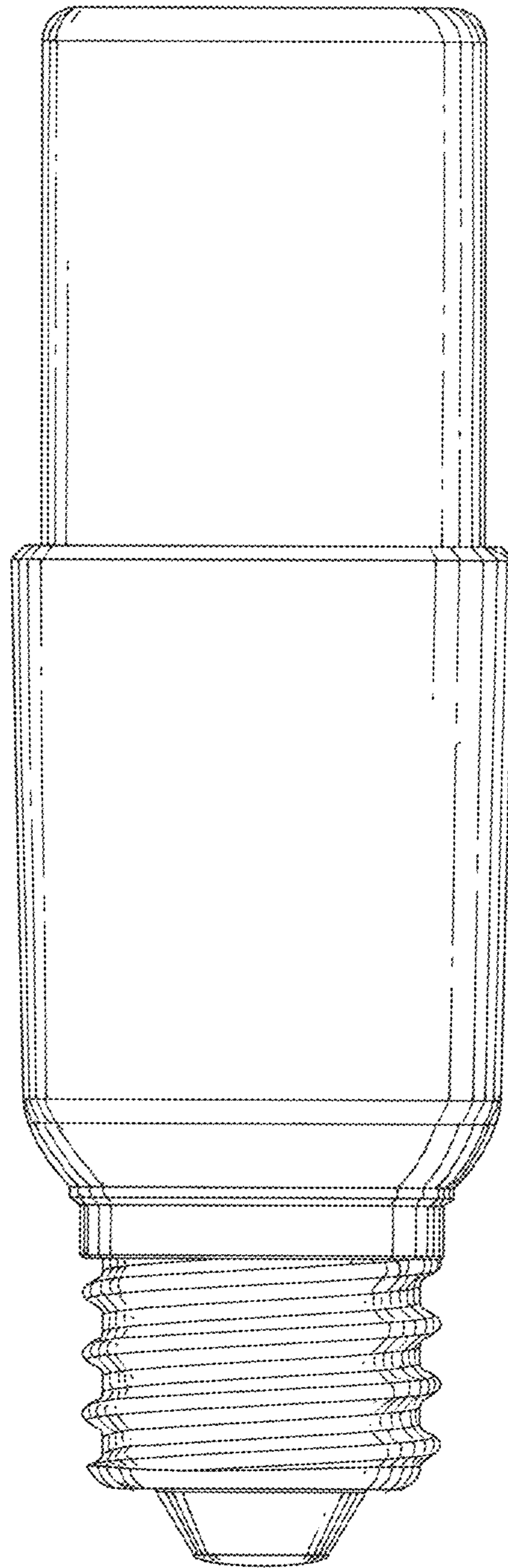


Fig.3

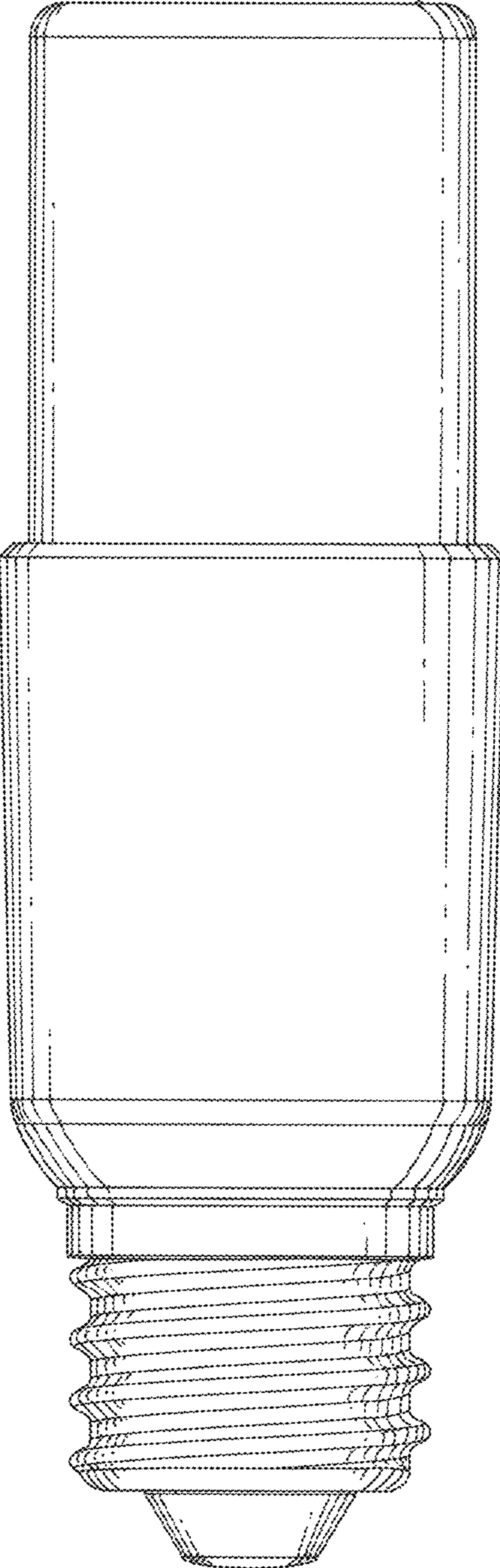


Fig.4

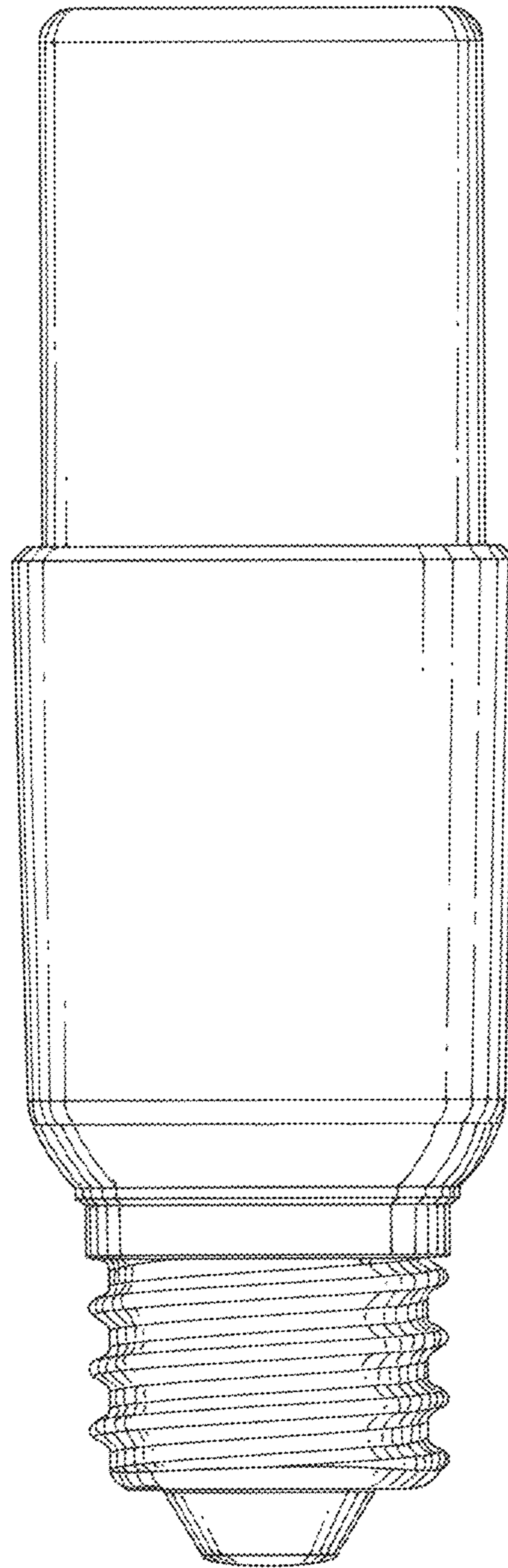


Fig.5

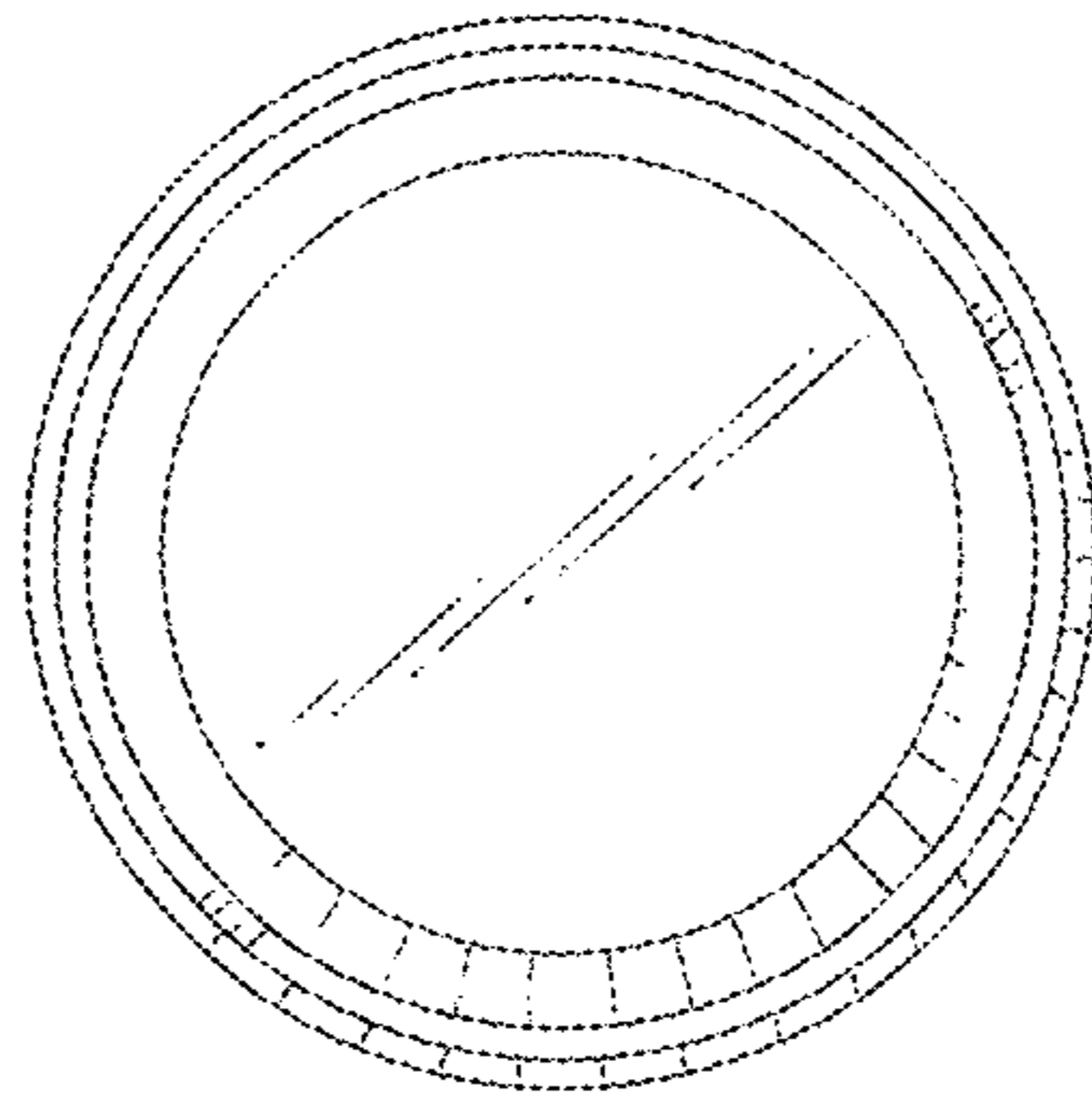


Fig.6

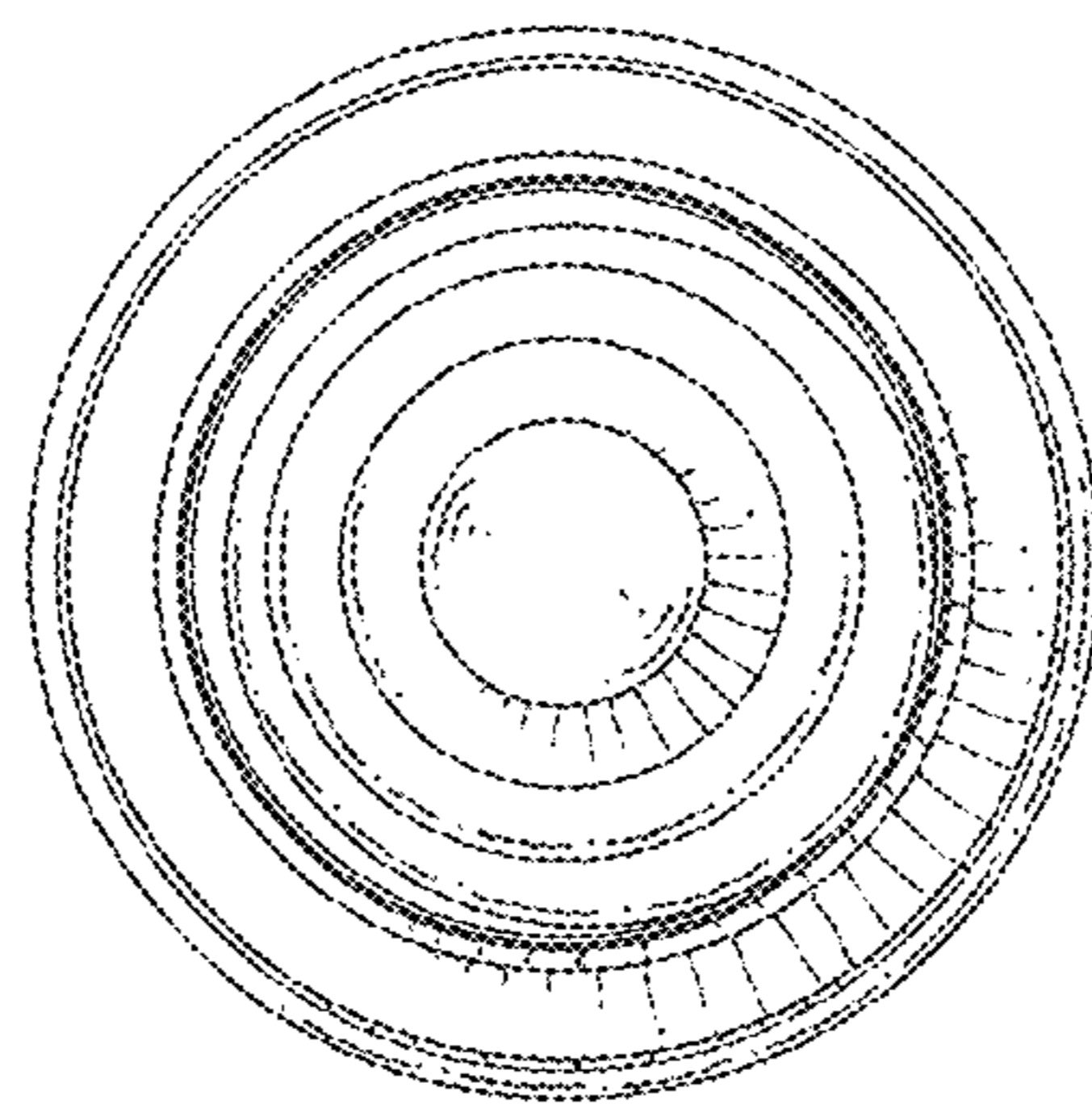


Fig.7